



US00D857505S

(12) **United States Design Patent** (10) **Patent No.:** **US D857,505 S**  
**Hines** (45) **Date of Patent:** **\*\* Aug. 27, 2019**

- (54) **METAL BOTTLE**
- (71) Applicant: **Ball Corporation**, Broomfield, CO (US)
- (72) Inventor: **Linda A. Hines**, Westminster, CO (US)
- (73) Assignee: **Ball Corporation**, Broomfield, CO (US)
- (\*\*) Term: **15 Years**
- (21) Appl. No.: **29/631,484**
- (22) Filed: **Dec. 29, 2017**

1,079,403 A	11/1913	Crececius	
1,338,494 A *	4/1920	Daniel	B65D 39/16
			215/272
D57,672 S *	4/1921	Knowles	D9/500
D58,203 S	6/1921	Anderson	
D67,463 S	6/1925	Johnson	
1,728,883 A	9/1929	Simon	
1,814,638 A	7/1931	Cchofield	
D86,037 S	1/1932	Lloyd	
D99,763 S	5/1936	Sansby	
2,157,896 A	5/1939	Held	
D119,303 S	3/1940	Deletzke	
2,734,650 A	2/1956	Meyer	

(Continued)

**FOREIGN PATENT DOCUMENTS**

AU	2003290205	3/2004
CA	2348438	3/2001

(Continued)

**OTHER PUBLICATIONS**

U.S. Appl. No. 29/502,312, filed Sep. 15, 2014, Hines.  
(Continued)

*Primary Examiner* — Dana Meyrow  
(74) *Attorney, Agent, or Firm* — Sheridan Ross P.C.

(57) **CLAIM**

The ornamental design for a metal bottle, as shown and described.

**DESCRIPTION**

FIG. 1 is a front perspective view of the metal bottle;  
FIG. 2 is a front elevation view thereof;  
FIG. 3 is a top plan view thereof; and,  
FIG. 4 is a bottom plan view thereof.  
The broken lines in the drawings illustrate the portions of the metal bottle that form no part of the claim.

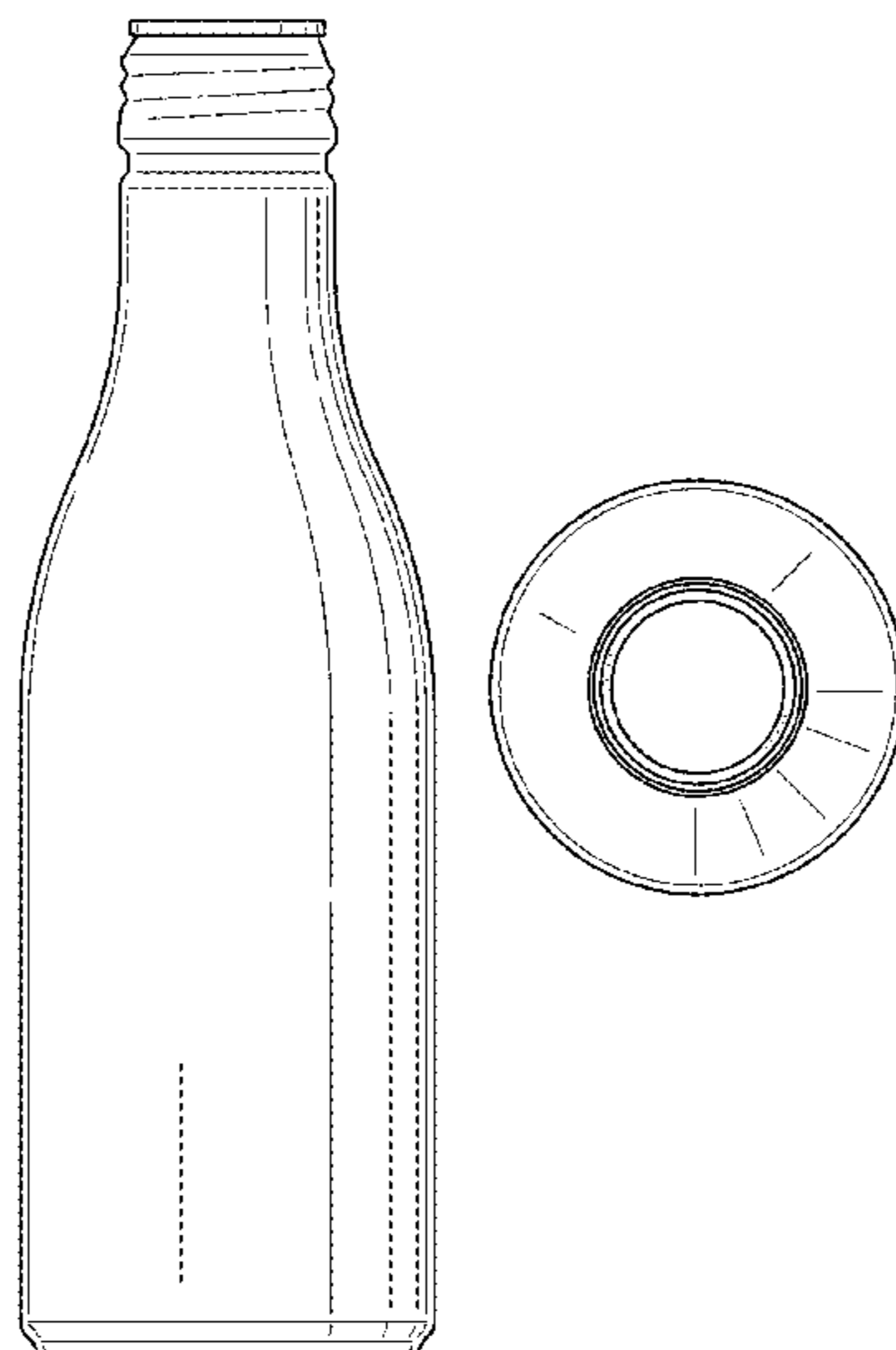
**1 Claim, 2 Drawing Sheets**

- Related U.S. Application Data**
- (62) Division of application No. 29/513,745, filed on Jan. 5, 2015, now Pat. No. Des. 809,390.
  - (51) **LOC (12) Cl.** ..... **09-01**
  - (52) **U.S. Cl.**  
USPC ..... **D9/500**; D9/764
  - (58) **Field of Classification Search**  
USPC ..... D9/500, 502-504, 516, 530, 537-540,  
D9/549, 557-558, 715, 719, 763-764,  
D9/772; D24/197  
CPC ... B65D 1/00; B65D 1/02; B65D 1/12; B65D  
1/14; B65D 1/16; B65D 1/165; B65D  
23/00; B65D 81/00; B65D 2501/00;  
B65D 2501/0009  
See application file for complete search history.

(56) **References Cited**

**U.S. PATENT DOCUMENTS**

D9,991 S	5/1877	Pinckney	
D13,323 S	9/1882	Winn	
D31,681 S *	10/1899	Miller	D9/558
D33,364 S *	10/1900	Lindemeyr	215/383
D35,068 S	9/1901	Lorenz	
1,023,114 A *	4/1912	Mills	B65D 5/746
			215/45



(56)

References Cited

U.S. PATENT DOCUMENTS

3,066,821 A	12/1962	Conklin	6,779,677 B2	8/2004	Chupak
3,253,729 A	5/1966	Virany	6,857,304 B2	2/2005	Enoki
D208,884 S	10/1967	McLeod	D503,343 S	3/2005	Canino
D221,836 S *	9/1971	Giles et al. .... D9/500	6,907,653 B2	6/2005	Chupak
D227,656 S	7/1973	Broadhead	D508,854 S	8/2005	Livingston et al.
3,825,142 A	7/1974	Campagna	6,945,085 B1	9/2005	Goda
3,859,117 A	1/1975	Erchak et al.	6,959,830 B1	11/2005	Kanou et al.
D234,291 S	2/1975	Broadhead	D517,417 S	3/2006	Livingston et al.
3,995,572 A	12/1976	Saunders	D518,732 S	4/2006	Gedanke et al.
D248,927 S	8/1978	Cassia	7,036,671 B2	5/2006	Hidalgo et al.
D249,330 S	9/1978	Pigeon	D523,341 S	6/2006	Livingston et al.
4,203,240 A	5/1980	Goodwin	D523,347 S	6/2006	Livingston et al.
D258,346 S	2/1981	Winchell et al.	D525,139 S	7/2006	Livingston et al.
D260,732 S	9/1981	Walker	D525,530 S	7/2006	Livingston et al.
D282,442 S	2/1986	Kohnle	D528,000 S	9/2006	Davis et al.
D287,933 S	1/1987	Mills et al.	D530,217 S	10/2006	Krause
4,741,447 A	5/1988	John	D531,048 S	10/2006	Krause
4,777,085 A	10/1988	Murray, Jr. et al.	D531,903 S	11/2006	Haubein
D300,334 S	3/1989	Pavelle	7,140,223 B2	11/2006	Chupak
D301,203 S	5/1989	Jolly et al.	7,171,840 B2	2/2007	Kanou et al.
4,878,589 A	11/1989	Webster et al.	D540,171 S	4/2007	Ko
4,928,835 A	5/1990	Collette et al.	D554,000 S	10/2007	Walsh
4,955,491 A	9/1990	Marshall et al.	D564,881 S	3/2008	Chupak
D315,677 S	3/1991	Vidarsson et al.	D568,746 S	5/2008	Goldsmith et al.
D328,420 S	8/1992	Miller	D569,252 S	5/2008	Borsari et al.
D335,455 S	5/1993	Brown	D570,228 S	6/2008	van Dam
5,251,424 A	10/1993	Zenger et al.	D572,590 S	7/2008	Coulis et al.
D347,571 S	6/1994	Wacker	D575,154 S	8/2008	Andrews et al.
D352,004 S	11/1994	Bikoff et al.	D584,623 S	1/2009	Chupak
D364,347 S	11/1995	Sillince et al.	D587,137 S	2/2009	Hayden et al.
D368,528 S	4/1996	Allegre	D592,060 S	5/2009	Chupak
5,555,992 A	9/1996	Sedgeley	D593,876 S	6/2009	Hayden et al.
5,572,893 A	11/1996	Goda et al.	D596,048 S	7/2009	Hayden et al.
5,605,996 A	2/1997	Chuu et al.	D596,488 S	7/2009	Chupak
5,660,290 A	8/1997	Hayes	D600,556 S	9/2009	Chupak
D383,067 S	9/1997	Gower et al.	D600,557 S	9/2009	Chupak
D384,586 S	10/1997	Peek	D605,040 S	12/2009	Fry et al.
D384,888 S	10/1997	Diekhoff	D607,754 S	1/2010	Hayden et al.
5,704,240 A	1/1998	Jordan	7,651,651 B2	1/2010	Riffer
5,713,235 A	2/1998	Diekhoff	D619,457 S	7/2010	Walsh
5,718,352 A	2/1998	Diekhoff et al.	D619,458 S	7/2010	Walsh
5,755,354 A	5/1998	Lang	D619,459 S	7/2010	Walsh
D395,395 S	6/1998	De Muschamp Payne	D620,360 S	7/2010	Walsh
D396,640 S	8/1998	Conrad et al.	D621,723 S	8/2010	Gogola et al.
5,822,843 A	10/1998	Diekhoff et al.	D622,145 S	8/2010	Walsh
5,896,195 A	4/1999	Juvinall et al.	D624,417 S	9/2010	Bentley et al.
D414,238 S	9/1999	Kupperman	7,798,357 B2	9/2010	Hanafusa et al.
6,010,028 A	1/2000	Jordan et al.	D625,616 S	10/2010	Gogola et al.
D422,914 S	4/2000	Lasky	D631,360 S	1/2011	van Westreenen
D429,164 S	8/2000	Peek et al.	D632,589 S	2/2011	George
D431,470 S	10/2000	Henderson	D638,708 S	5/2011	Walsh
D435,648 S	12/2000	Shah et al.	7,946,436 B2	5/2011	Laveault et al.
D435,649 S	12/2000	Shah et al.	D639,164 S	6/2011	Walsh
6,179,143 B1	1/2001	Grob	D639,165 S	6/2011	Dingenouts
D441,657 S	5/2001	Brown	D639,659 S	6/2011	Biondich
D446,455 S	8/2001	McGowan	7,997,434 B2	8/2011	Benetti
D447,061 S	8/2001	Peek	D644,515 S	9/2011	Tieleman et al.
D447,422 S	9/2001	Peek	8,016,148 B2	9/2011	Walsh
6,338,415 B1	1/2002	Grob	D646,165 S	10/2011	Chupak
6,375,020 B1	4/2002	Marquez	D646,166 S	10/2011	Chupak
D461,674 S	8/2002	Dorney	D653,966 S	2/2012	Kohara et al.
D464,569 S	10/2002	Moore et al.	D654,379 S	2/2012	Kohara et al.
6,463,776 B1	10/2002	Enoki et al.	D654,380 S	2/2012	Kohara et al.
6,499,329 B1	12/2002	Enoki et al.	D654,794 S	2/2012	Morais et al.
D469,360 S	1/2003	Moore et al.	D656,822 S	4/2012	Jacober
6,543,636 B1	4/2003	Flecheux et al.	D658,998 S	5/2012	Simmons et al.
D475,630 S	6/2003	Canino	D660,704 S	5/2012	Simmons et al.
D478,286 S	8/2003	Futral	D660,705 S	5/2012	Simmons et al.
D478,287 S	8/2003	Corker et al.	D669,356 S	10/2012	Jacober
D479,999 S	9/2003	Moore	D670,167 S	11/2012	Winter et al.
D480,650 S	10/2003	Moore et al.	D671,010 S	11/2012	Shefler
D481,317 S	10/2003	Corker et al.	D675,527 S	2/2013	Rogers et al.
D489,983 S	5/2004	Futral et al.	D677,169 S	3/2013	Roos et al.
D489,984 S	5/2004	Futral et al.	D678,772 S	3/2013	Johnson et al.
D492,599 S	7/2004	Enoki et al.	D684,059 S	6/2013	Johnson et al.
			D684,483 S	6/2013	Jahina et al.
			D686,078 S	7/2013	Johnson et al.
			D686,079 S	7/2013	Johnson et al.
			D687,314 S	8/2013	Armani

(56)

References Cited

U.S. PATENT DOCUMENTS

D687,710 S 8/2013 Johnson et al.  
 D688,949 S 9/2013 Johnson et al.  
 D695,614 S 12/2013 Crowe  
 D696,116 S 12/2013 Jacober et al.  
 D696,945 S 1/2014 Newman  
 D696,946 S 1/2014 Hines  
 D697,404 S 1/2014 Johnson et al.  
 D697,407 S 1/2014 Hines  
 D697,409 S 1/2014 Wilson  
 D701,460 S \* 3/2014 Adams ..... D9/516  
 D702,553 S 4/2014 Jentzsch et al.  
 D704,557 S 5/2014 Hamill  
 D707,569 S 6/2014 Stephens et al.  
 D708,522 S \* 7/2014 Santamaria ..... D9/500  
 D713,267 S 9/2014 Stephens et al.  
 D722,508 S 2/2015 Hirsberg  
 D725,471 S 3/2015 Jacober et al.  
 D725,472 S 3/2015 Jacober et al.  
 D734,154 S 7/2015 Johnson et al.  
 D739,731 S 9/2015 Jones  
 D739,732 S 9/2015 Jones  
 D744,833 S 12/2015 Cotton  
 D745,396 S 12/2015 Jahina et al.  
 D745,397 S 12/2015 Gogola et al.  
 D745,398 S 12/2015 Cotton  
 D745,399 S 12/2015 Cotton  
 D765,511 S 9/2016 George  
 D796,331 S \* 9/2017 Eyal ..... D9/500  
 D799,900 S \* 10/2017 Santos ..... D7/510  
 D809,390 S 2/2018 Hines  
 D812,478 S \* 3/2018 Hines ..... D9/500  
 D815,946 S \* 4/2018 Thompson ..... D9/500  
 D819,444 S \* 6/2018 Adams ..... D9/500  
 2003/0102278 A1 6/2003 Chupak  
 2004/0026352 A1 2/2004 Hidalgo et al.  
 2004/0035871 A1 2/2004 Chupak  
 2005/0127077 A1 6/2005 Chupak  
 2007/0017089 A1 1/2007 Hosoi  
 2007/0051687 A1 3/2007 Olson  
 2008/0047922 A1 2/2008 Olson et al.  
 2009/0261101 A1 10/2009 Forrest et al.  
 2010/0252524 A1 10/2010 Dubs et al.  
 2010/0282706 A1 11/2010 Gilliam  
 2011/0017700 A1 1/2011 Patcheak  
 2015/0060444 A1 3/2015 Wang et al.  
 2015/0096913 A1 4/2015 Kitcher et al.  
 2015/0147497 A1 5/2015 Brouwer  
 2017/0015582 A1 1/2017 Brouwer

FOREIGN PATENT DOCUMENTS

CA 2352747 4/2001  
 CA 2495205 3/2004  
 CN 1675010 9/2005  
 DE 60218219 10/2007  
 EP 0381322 8/1990  
 EP 0949216 10/1999  
 EP 1461262 9/2004  
 EP 1531952 8/2006  
 EP 1731239 9/2009  
 EP 2119515 11/2009  
 JP HJ24042263 10/2012  
 RU 83190 10/2012  
 WO WO 88/08398 11/1988  
 WO WO 95/10487 4/1995  
 WO WO 99/38914 8/1999  
 WO WO 01/15829 3/2001  
 WO DM/062281 12/2002  
 WO DM/063368 4/2003  
 WO WO 03/047991 6/2003  
 WO WO 2004/018121 3/2004  
 WO WO 2004/039511 5/2004

WO WO 2004/106426 12/2004  
 WO WO 2008/103629 8/2008  
 WO DM /065799 7/2009  
 WO WO 2009/131994 10/2009  
 WO WO 2011/053776 5/2011

OTHER PUBLICATIONS

U.S. Appl. No. 29/554,976, filed Feb. 17, 2016, Ross et al.  
 “100% Recyclable—Bottlecan by CCL Container,” at [www.Bottlecan.com/recycle.html](http://www.Bottlecan.com/recycle.html), Jun. 22, 2011, 1 page.  
 “Aluminum Beer Bottles,” at [www.bottless.org/Aluminum\\_Beer\\_Bottles\\_s/566.htm](http://www.bottless.org/Aluminum_Beer_Bottles_s/566.htm), Jun. 22, 2011, 2 pages.  
 “Aluminum bottles for Wine Adding Value to the Drinking Experience,” [BestInPackaging.com](http://BestInPackaging.com), Jun. 20, 2009, 10 pages [retrieved from: <https://bestinpackaging.com/2009/06/20/aluminium-bottles-for-wine-adding-value-to-the-drinking-experience/>].  
 “Aluminum Wine Bottles,” [AluminumBottles.com](http://AluminumBottles.com), posted by Elemental Container, Apr. 22, 2010, 3 pages [retrieved from: <http://www.aluminumbottles.com/2010/04/22/aluminum-wine-bottles/>].  
 “Beauty Water,” [youtube.com](http://youtube.com), posted Jun. 3, 2012, 2 pages [retrieved online from: [www.youtube.com/watch?v=mLJqyQGBB0U](http://www.youtube.com/watch?v=mLJqyQGBB0U)].  
 “Design & print, print processes,” [rexam.com](http://rexam.com), 1 page [retrieved online on Jul. 11, 2017 from: [printguides.rexam.com/print-processes/fusion-bottles/](http://printguides.rexam.com/print-processes/fusion-bottles/)].  
 “Exal C2C, 8.5 oz, 2006, Exal Corporation,” Test and Prototypes, The Aluminum Bottle CANnoisseurs ‘ABC’ Chapter 169 of the Brewery Collectibles Club of America, U.S. Soda Bottle Listing, [ABCchapter.com](http://ABCchapter.com), 2 pages [retrieved Jun. 1, 2017 from: <http://www.abcchapter.com/bottles/soda/us/sodaus.asp>].  
 “Fusion bottles overview,” [rexam.com](http://rexam.com), 1 page [retrieved online on Jul. 11, 2017 from: [printquides.rexam.com/print-processes/fusion-bottles/](http://printquides.rexam.com/print-processes/fusion-bottles/)].  
 “Kaptive Coca Leaf/Classic, 8.45 oz redem, 2011, New World Products,” Kaptive, The Aluminum Bottle CANnoisseurs ‘ABC’ Chapter 169 of the Brewery Collectibles Club of America, U.S. Soda Bottle Listing, [ABCchapter.com](http://ABCchapter.com), 3 pages, [retrieved Jun. 1, 2017 from: <http://www.abcchapter.com/bottles/soda/us/sodaus.asp>].  
 “Pepsi, 8.5 oz, 2014, Test Bottle,” Pepsi, The Aluminum Bottle CANnoisseurs ‘ABC’ Chapter 169 of the Brewery Collectibles Club of America, U.S. Soda Bottle Listing, [ABCchapter.com](http://ABCchapter.com), 6 pages, retrieved Jun. 1, 2017 [retrieved from: <http://www.abcchapter.com/bottles/soda/us/sodaus.asp>].  
 “Sprite, 8.5 oz redem, 2009,” Sprite, the Aluminum Bottle CANnoisseurs ‘ABC’ Chapter 169 of the Brewery Collectibles Club of America, U.S. Soda Bottle Listing, [ABCchapter.com](http://ABCchapter.com), 2 pages, [retrieved Jun. 1, 2017 from: <http://www.abcchapter.com/bottles/soda/us/sodaus.asp>].  
 “Vio,” (see document for specific types, Vio, The Aluminum Bottle CANnoisseurs ‘ABC’ Chapter 169 of the Brewery Collectibles Club of America, U.S. Soda Bottle Listing, [ABCchapter.com](http://ABCchapter.com), 9 pages [retrieved Jun. 1, 2017 from: <http://www.abcchapter.com/bottles/soda/us/sodaus.asp>].  
 Sanina “Pepsi Has Unveiled a New Aluminum Bottle in Italy,” [POPSOP](http://POPSOP.com), May 14, 2012, 3 pages [retrieved online from: [popsop.com/2012/05/pepsi-has-unveiled-a-new-aluminum-bottle-in-italy/](http://popsop.com/2012/05/pepsi-has-unveiled-a-new-aluminum-bottle-in-italy/)].  
 Wikipedia, “Aluminum bottle,” at [www.en.wikipedia.org/wiki/Aluminium\\_bottle](http://www.en.wikipedia.org/wiki/Aluminium_bottle), Jun. 22, 2011, 4 pages.  
 Official Action for Canada Patent Application No. 163098, dated Oct. 27, 2015 2 pages.  
 English Translation of Notice of Allowance for China Patent Application No. 201530224371.3, dated Oct. 13, 2015 2 pages.  
 Official Action for U.S. Appl. No. 29/513,745, dated Jun. 23, 2016 7 pages Restriction Requirement.  
 Official Action for U.S. Appl. No. 29/513,745, dated Jun. 23, 2017 10 pages.  
 Official Action for U.S. Appl. No. 29/513,745, dated Oct. 2, 2017 8 pages.

\* cited by examiner

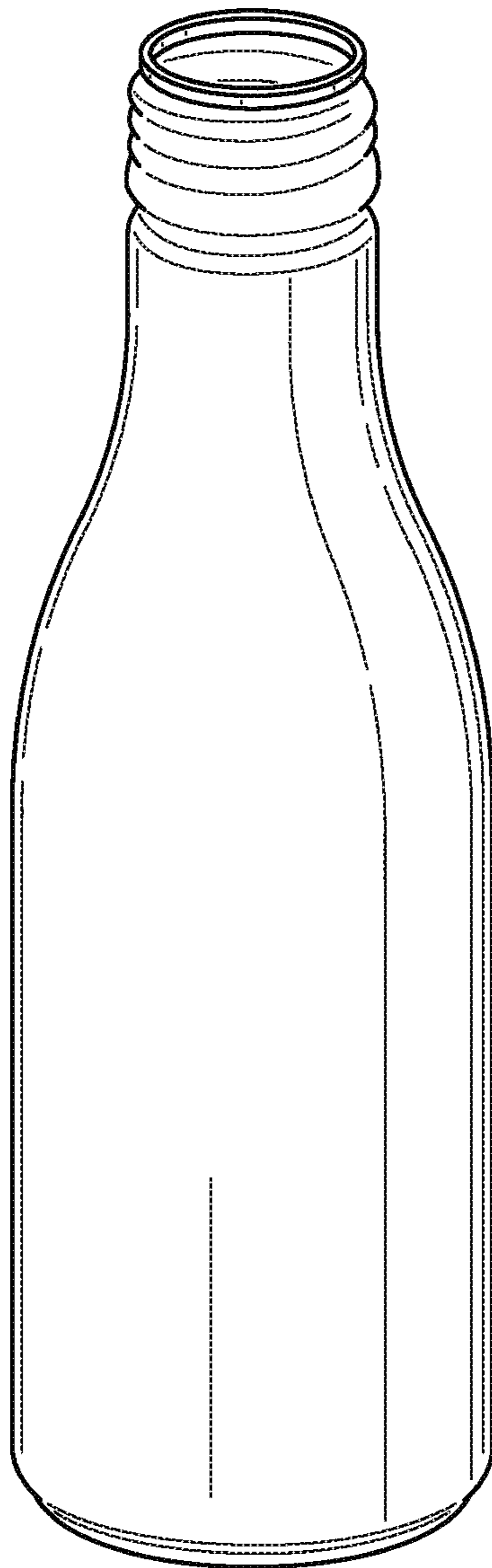


FIG. 1

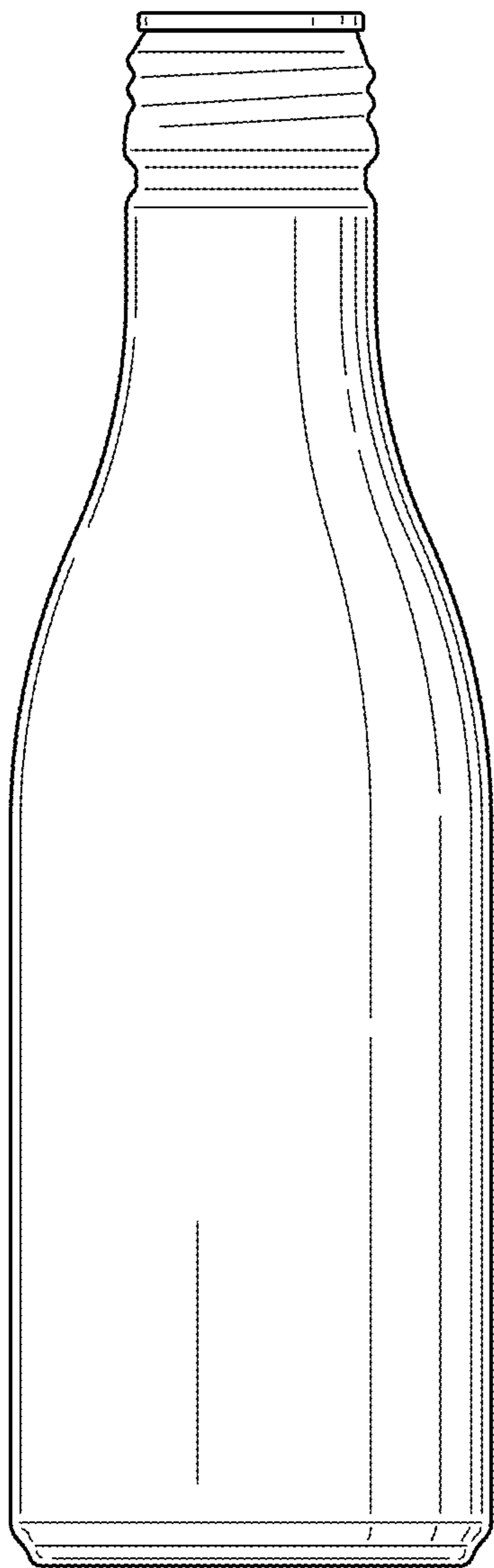


FIG. 2

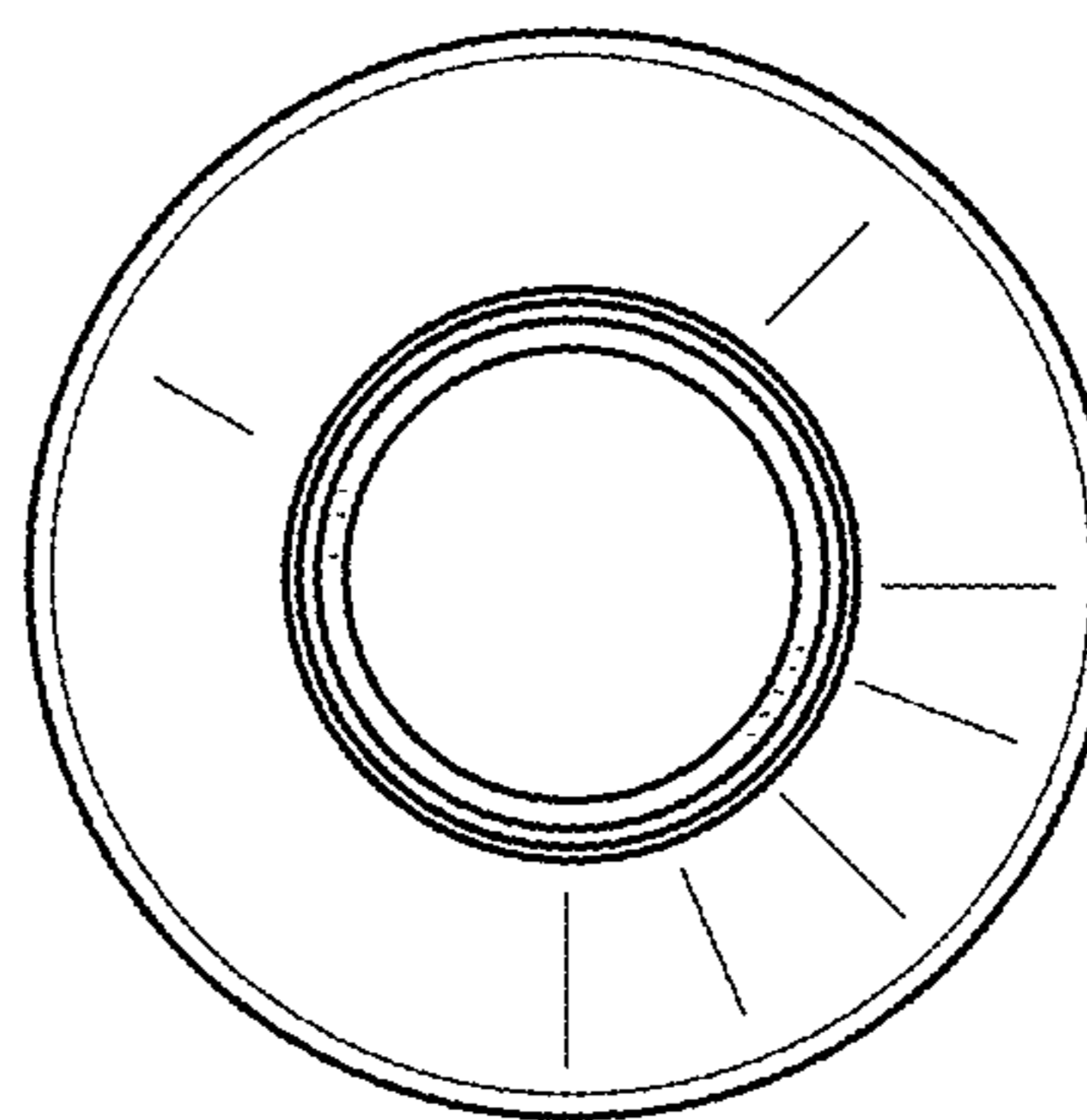


FIG. 3

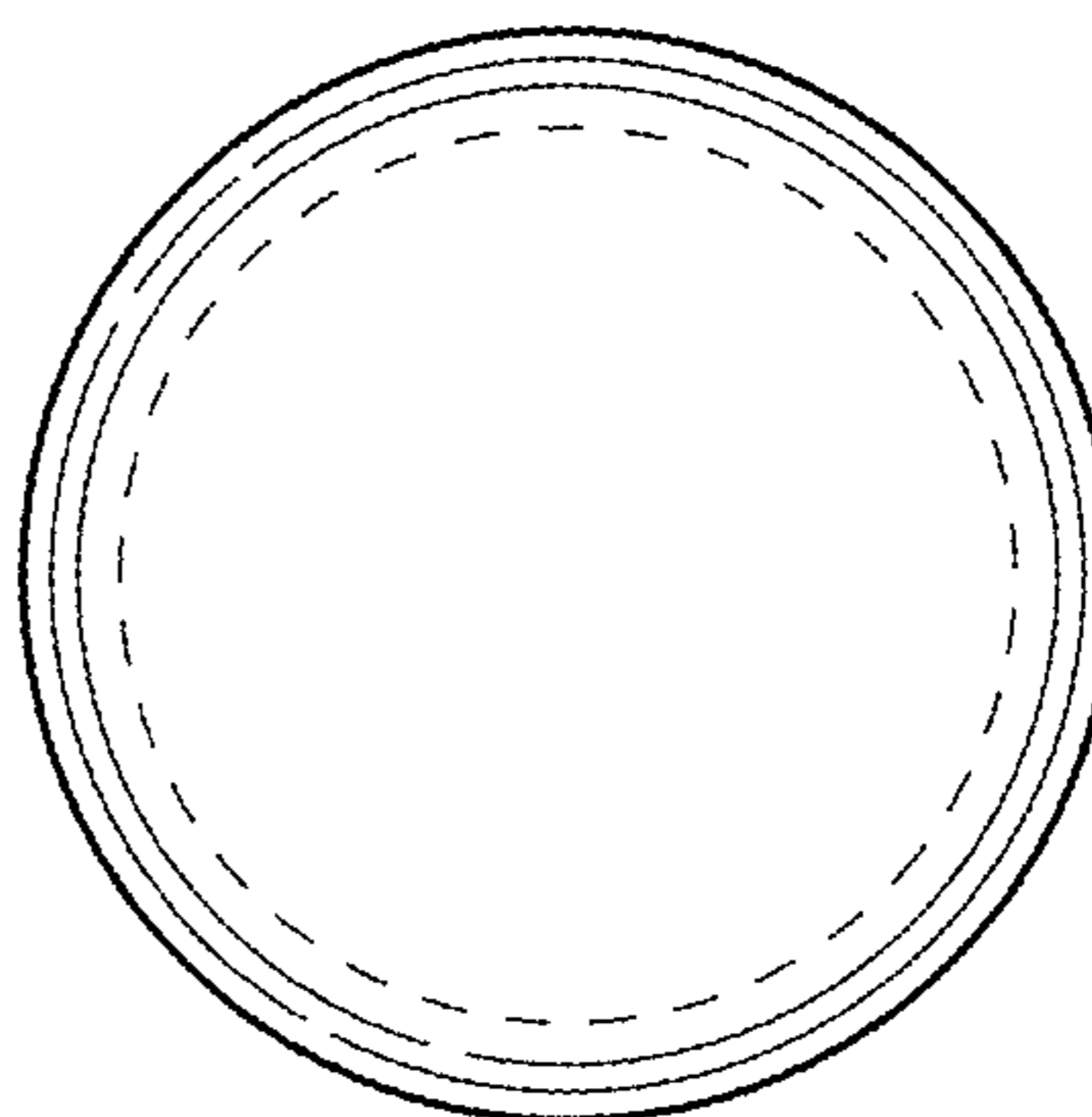


FIG. 4