



US00D857503S

(12) **United States Design Patent** (10) **Patent No.:** **US D857,503 S**
Sordo et al. (45) **Date of Patent:** **** Aug. 27, 2019**

(54) **CAP FOR BOTTLES**

(56) **References Cited**

(71) Applicant: **ZOBELE HOLDING SPA**, Trento (IT)

U.S. PATENT DOCUMENTS

(72) Inventors: **Walter Sordo**, Trento (IT); **Stefano Deflorian**, Trento (IT)

D459,228 S *	6/2002	Hierzer	D9/446
D490,709 S *	6/2004	Bezek	D9/444
D531,503 S *	11/2006	Beaver	D9/445
D541,154 S *	4/2007	Moribata	D9/449
D544,351 S *	6/2007	Dittmer	D9/446
D560,119 S *	1/2008	Bloc	D9/446
D579,772 S *	11/2008	Williams	D9/446
D649,051 S *	11/2011	Mongeon	D9/444
D666,908 S *	9/2012	Dabah	D9/445
D668,153 S *	10/2012	Mavin	D9/443
D713,724 S *	9/2014	den Boer	D9/449
D775,950 S *	1/2017	Rognard	D9/434
D831,486 S *	10/2018	Fries	D9/449
2010/0065589 A1 *	3/2010	Skillin	B65D 47/0819 222/556

(73) Assignee: **Zobeles Holding SPA**, Trento (IT)

(**) Term: **15 Years**

(21) Appl. No.: **35/504,940**

(22) Filed: **Nov. 13, 2017**

(80) **Hague Agreement Data**

Int. Filing Date: **Nov. 13, 2017**

Int. Reg. No.: **DM/098782**

Int. Reg. Date: **Nov. 13, 2017**

Int. Reg. Pub. Date: **May 18, 2018**

* cited by examiner

Primary Examiner — Michael A. Pratt

(74) *Attorney, Agent, or Firm* — Ostrolenk Faber LLP

(30) **Foreign Application Priority Data**

May 12, 2017 (ES) 0525409

(51) **LOC (12) Cl.** **09-07**

(52) **U.S. Cl.**

USPC **D9/449**

(58) **Field of Classification Search**

USPC D9/445-446, 447, 449

CPC B65D 47/0895; B65D 47/0804

See application file for complete search history.

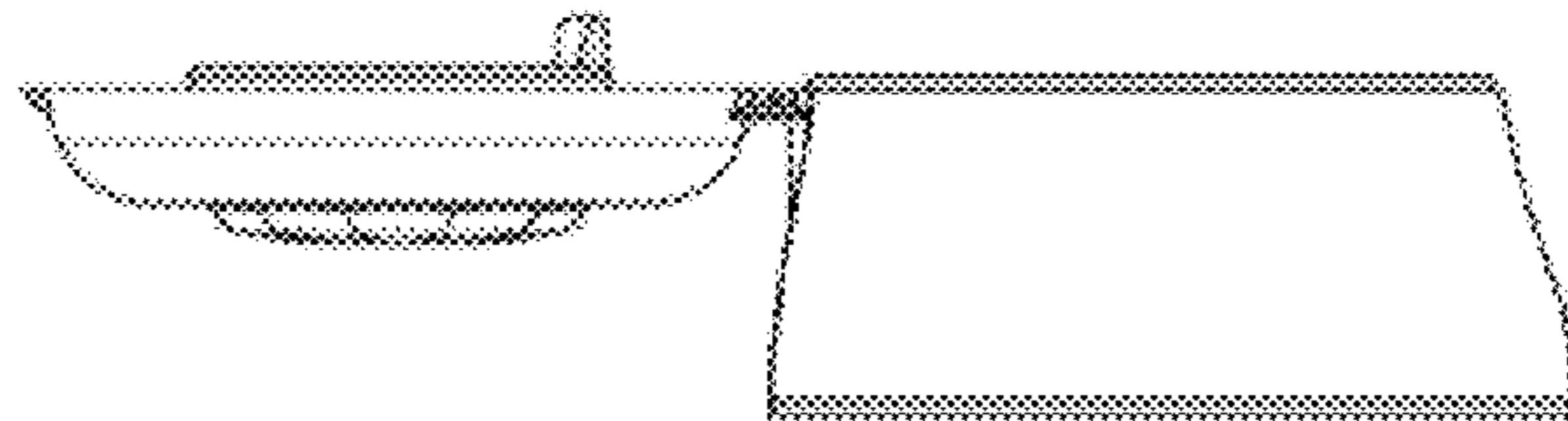
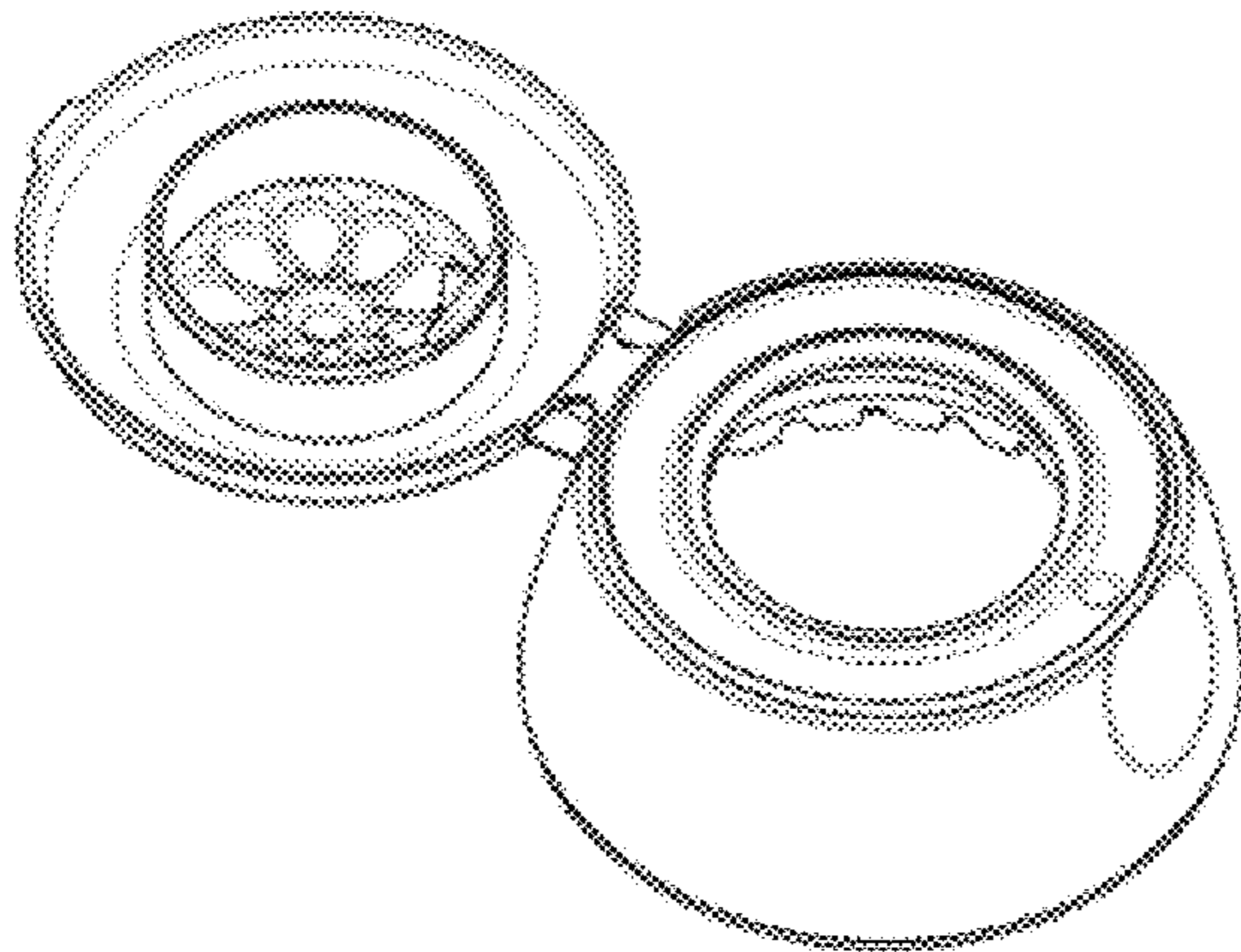
(57) **CLAIM**

The ornamental design for a cap for bottles, as shown and described.

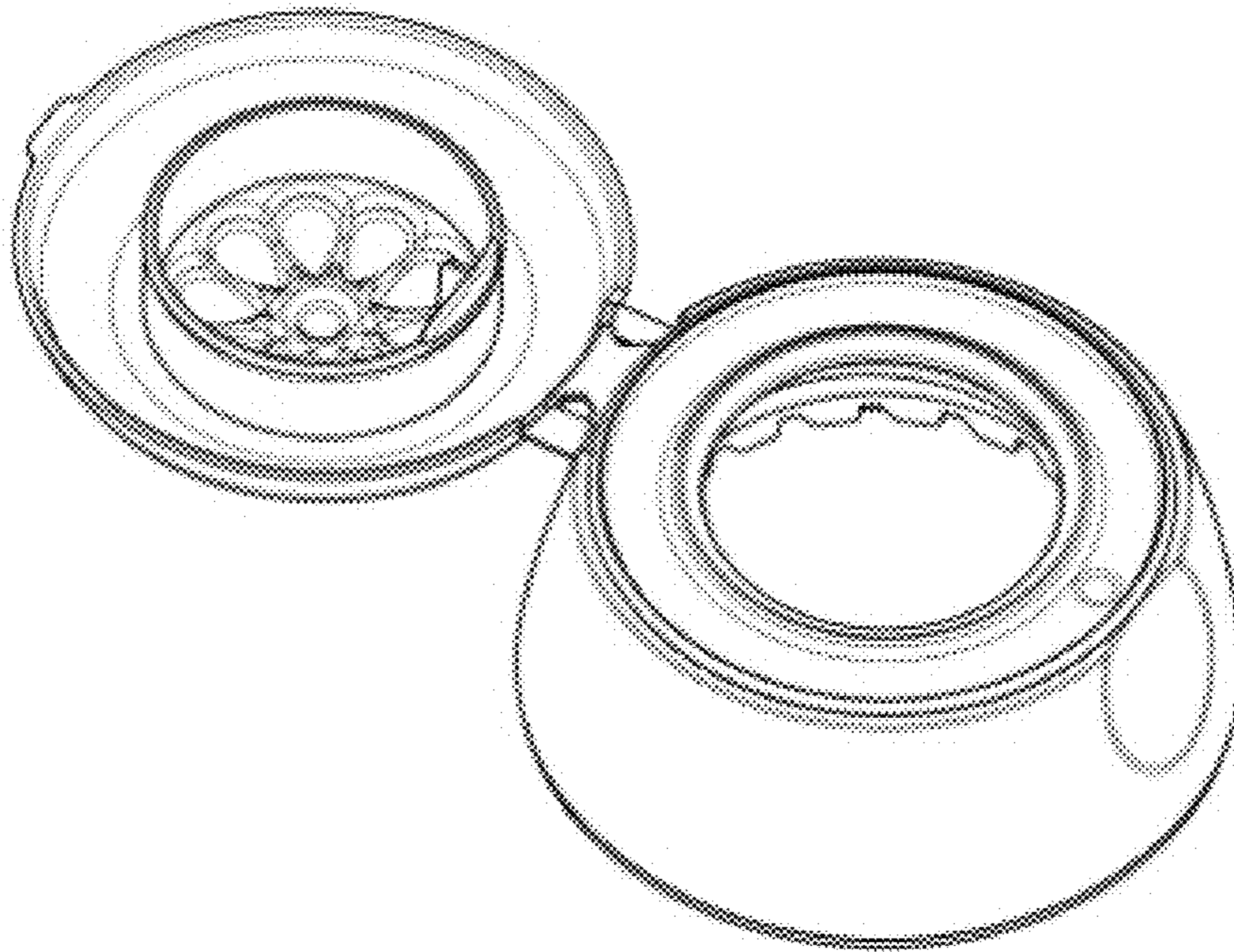
DESCRIPTION

- 1.1: Perspective
- 1.2: Front
- 1.3: Side
- 1.4: Rear
- 1.5: Bottom
- 1.6: Top

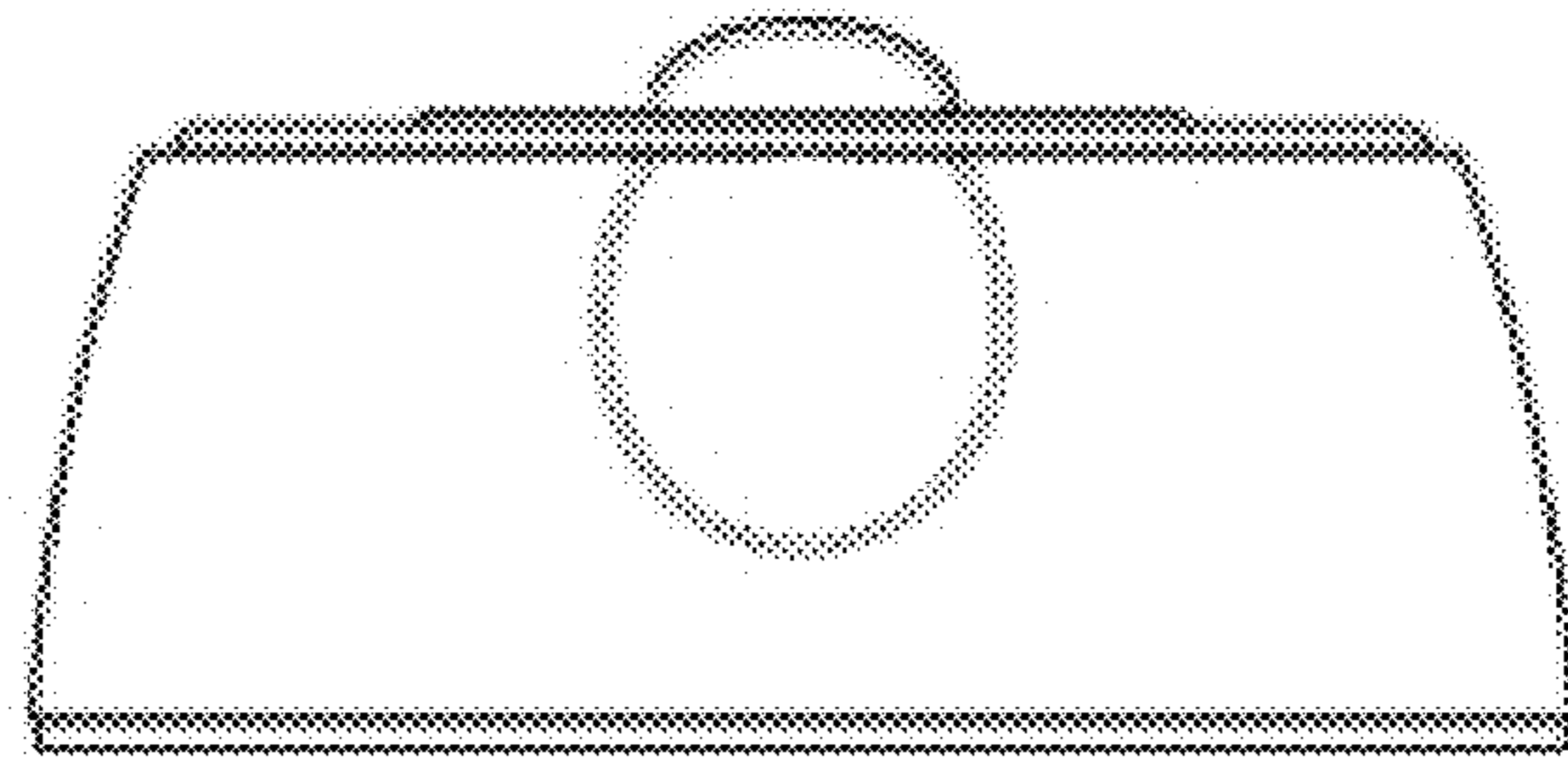
1 Claim, 6 Drawing Sheets



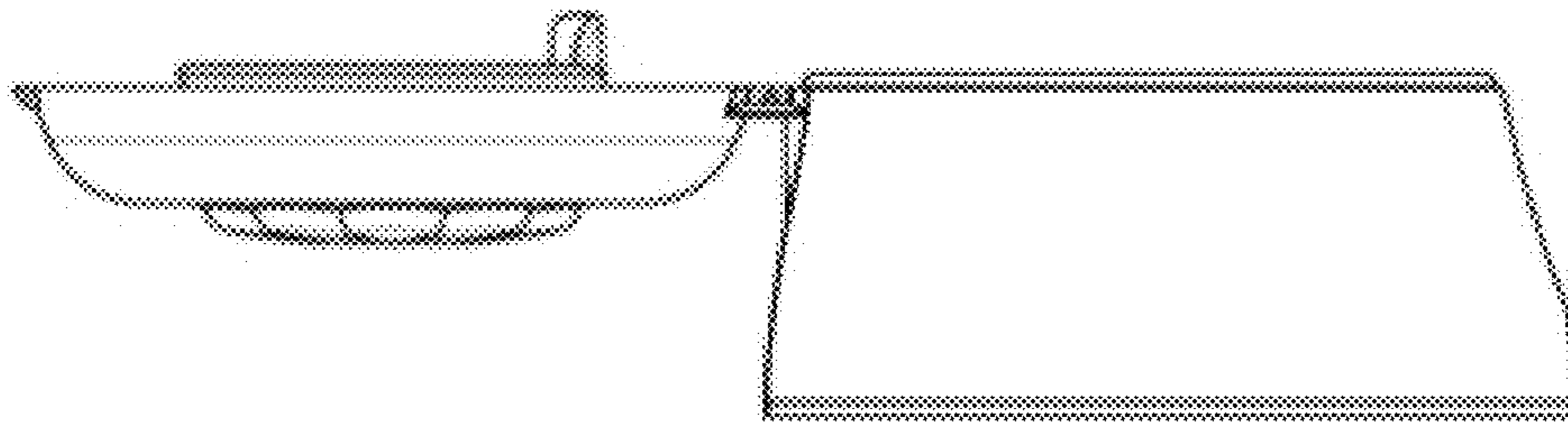
1.1



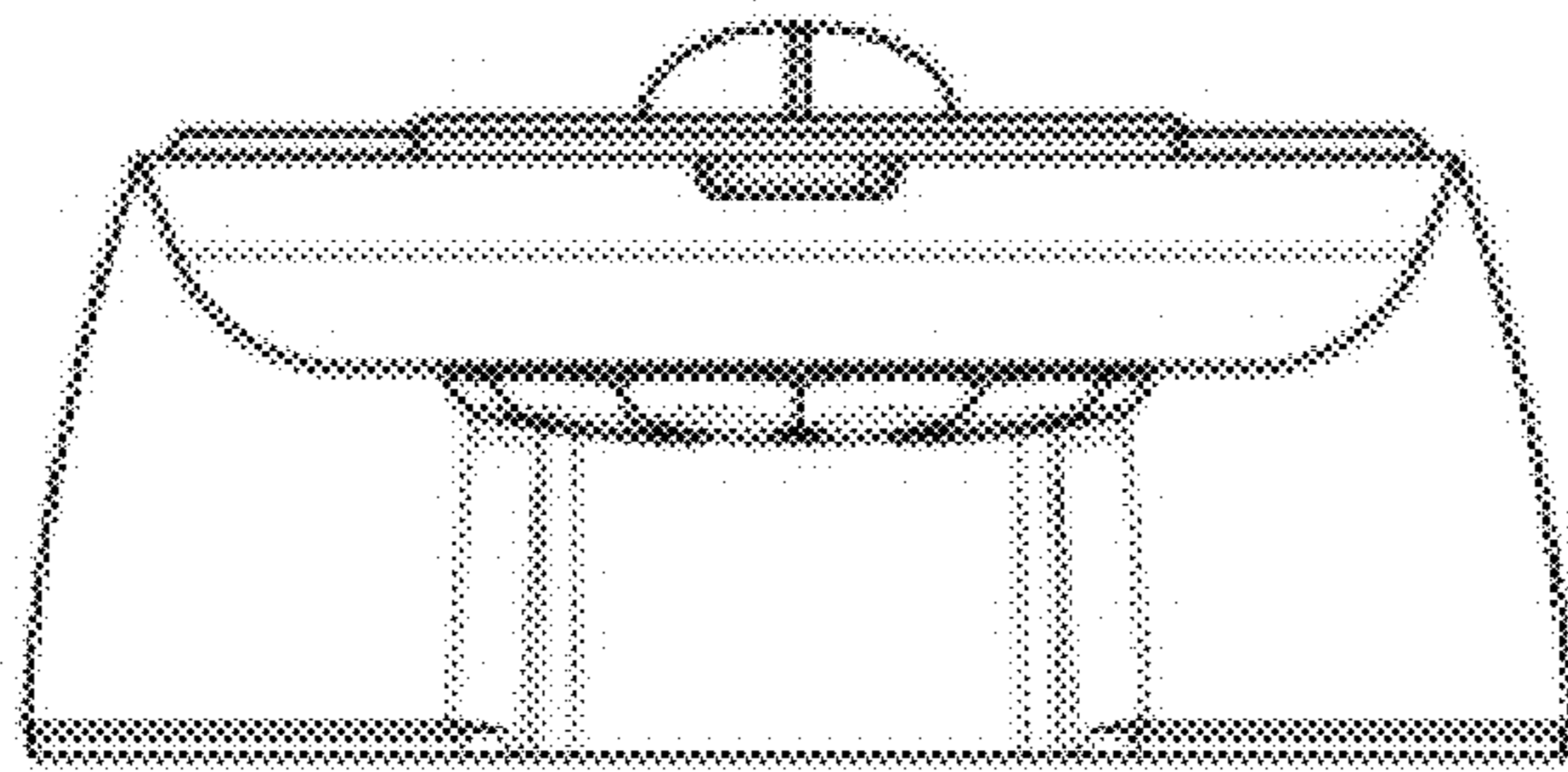
1.2



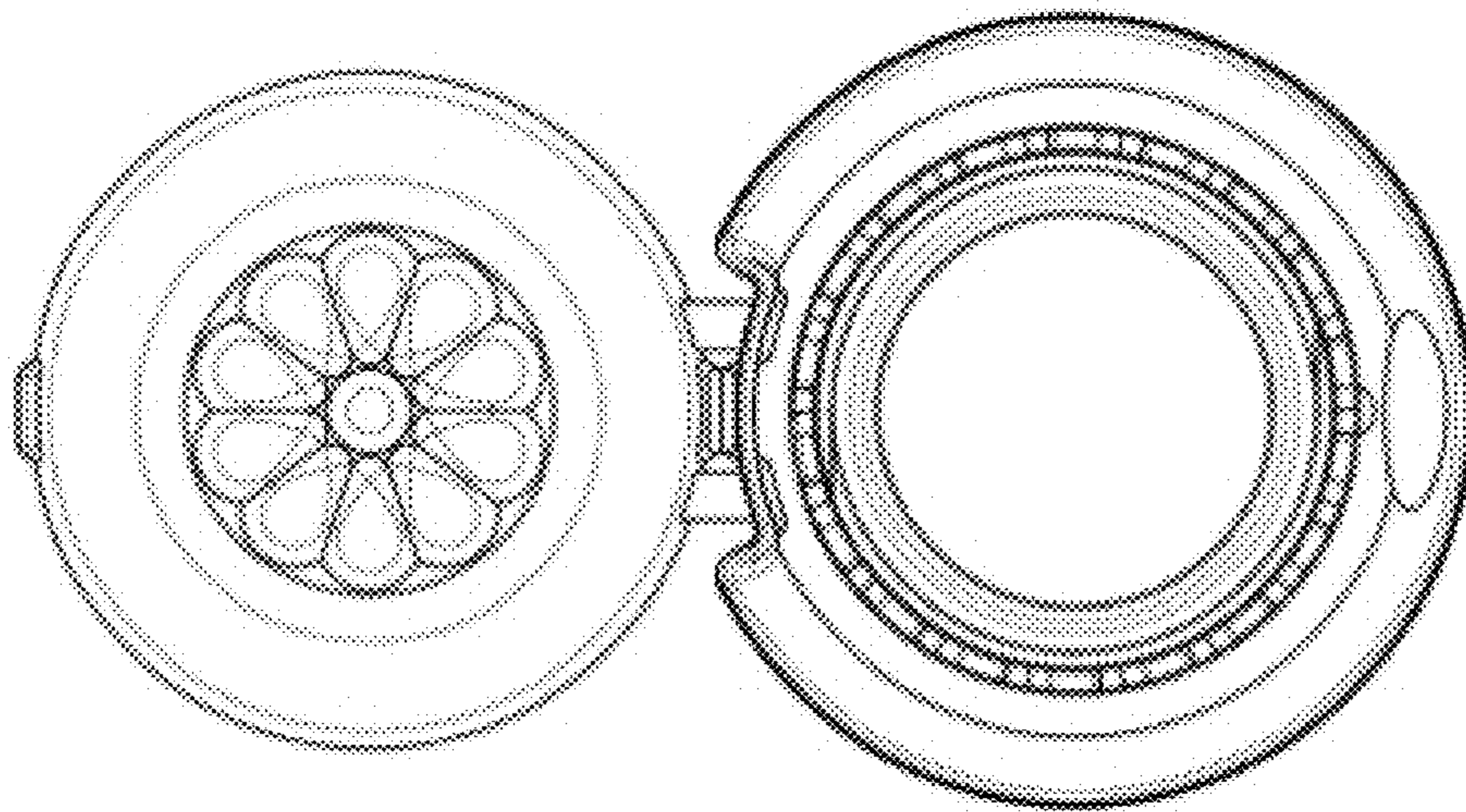
1.3



1.4



1.5



1.6

