



US00D857502S

(12) **United States Design Patent** (10) **Patent No.:** **US D857,502 S**
Fracasso (45) **Date of Patent:** **** Aug. 27, 2019**

(54) **CONTAINER CAP**
(71) Applicant: **GIFLOR S.R.L.**, Grumolo delle
Abbadesse (IT)
(72) Inventor: **Giuseppe Fracasso**, Caldogno (IT)
(73) Assignee: **GIFLOR S.R.L.**, Grumolo Delle
Abbadesse (VI) (IT)

D650,672 S * 12/2011 Krallmann D9/449
D663,202 S * 7/2012 Biesecker D9/449
D666,492 S * 9/2012 Cummings D9/449
D680,434 S 4/2013 Fracasso D9/449
D688,554 S 8/2013 Fracasso D9/449
D739,236 S * 9/2015 Monbarren D9/449
D743,790 S * 11/2015 Hussain D9/447
D789,200 S * 6/2017 Deringer D9/435
D823,686 S * 7/2018 Beaudouin D9/449
D825,334 S * 8/2018 Ristich D9/454

(**) Term: **15 Years**
(21) Appl. No.: **29/623,266**
(22) Filed: **Oct. 24, 2017**

(30) **Foreign Application Priority Data**
May 2, 2017 (EM) 003919505-0001
(51) **LOC (12) Cl.** **09-07**
(52) **U.S. Cl.**
USPC **D9/449**
(58) **Field of Classification Search**
USPC D7/392, 392.1, 396.1, 396.2, 397, 398;
D9/434-436, 439, 443, 447, 449, 454,
D9/499
CPC B65D 47/0814; B65D 45/025
See application file for complete search history.

(56) **References Cited**
U.S. PATENT DOCUMENTS
D305,871 S * 2/1990 Geiger D9/435
D477,225 S * 7/2003 Pinnavaia D9/435
D525,136 S * 7/2006 Bakic D28/82
D536,974 S * 2/2007 Smith D9/435
D536,975 S * 2/2007 Smith D9/435
D574,712 S * 8/2008 Bakic D28/82
D605,512 S * 12/2009 Weber D9/449
D607,726 S * 1/2010 Wisniewski D9/449
D608,639 S * 1/2010 Jackel D9/449
D612,728 S * 3/2010 Borstel D9/449
D625,189 S * 10/2010 Dias D9/449

OTHER PUBLICATIONS

Alibaba. Plastic Shirt Hinged Flip Top Cap. 2018. <URL:https://www.alibaba.com/product-detail/Plastic-shirt-hinged-flip-top-cap_60712905106.html?spm=a2700.7724857.normalList.17.4a005877P3cCwyL>. (Year: 2018).*
Giflor. All Products. 2018. <URL:https://www.giflor.com/products/>. (Year: 2018).*

* cited by examiner

Primary Examiner — George D. Kirschbaum
Assistant Examiner — Darcey E Gottschalk
(74) *Attorney, Agent, or Firm* — Fattibene and Fattibene LLC; Paul A. Fattibene

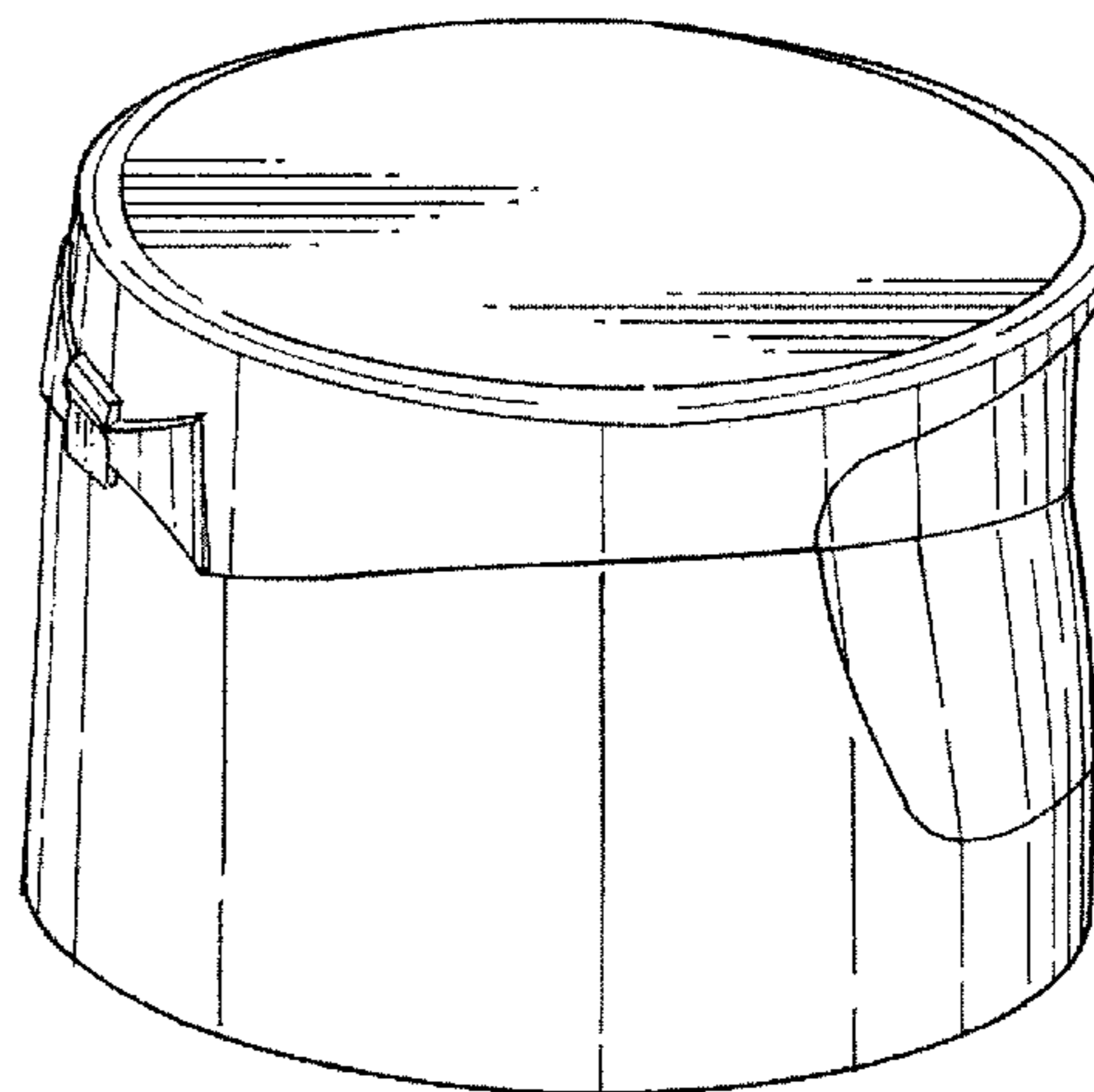
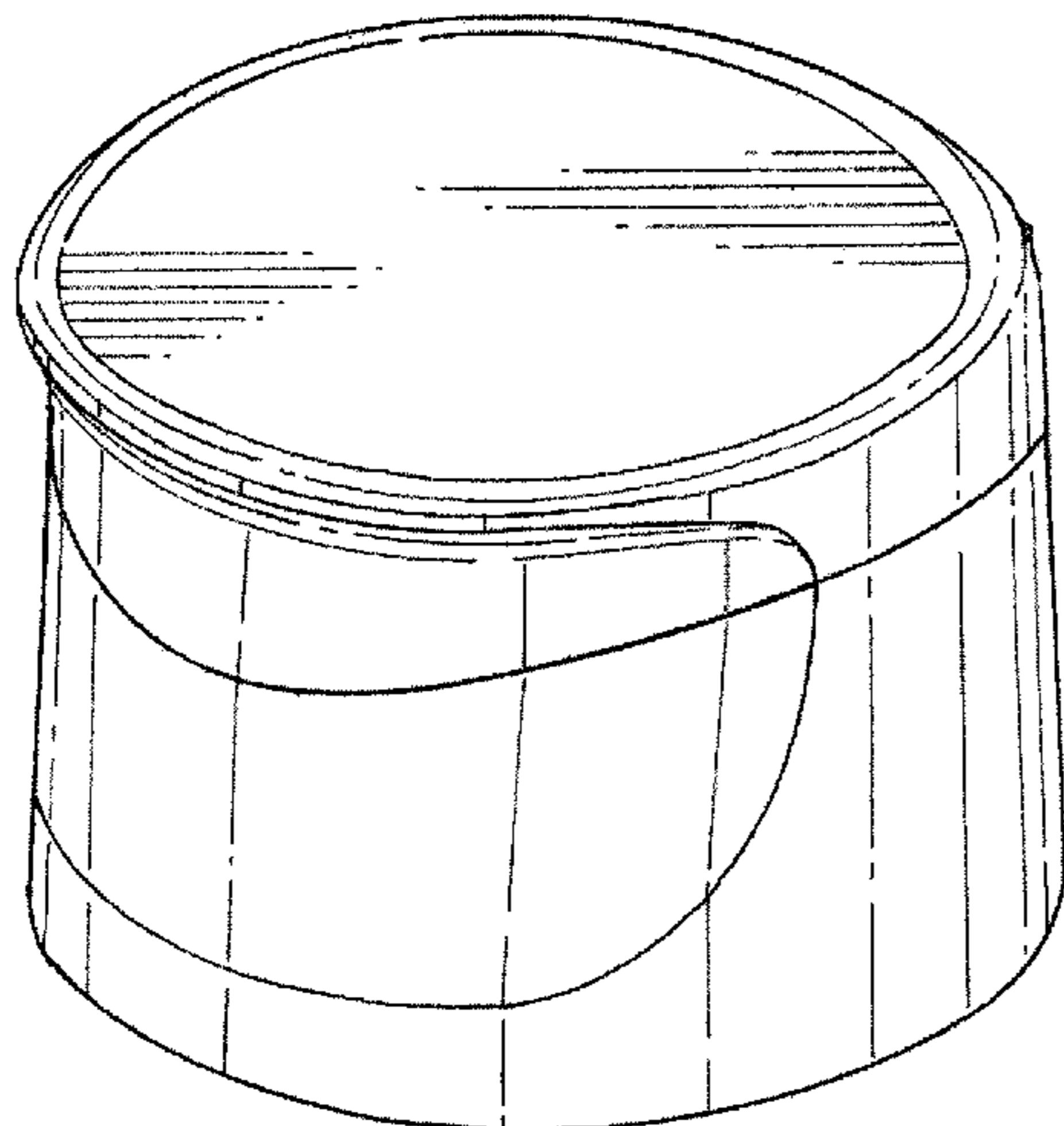
(57) **CLAIM**

The ornamental design for a container cap, as shown and described.

DESCRIPTION

FIG. 1 is a front perspective view of a container cap showing the new design;
FIG. 2 is a rear perspective view thereof;
FIG. 3 is a front elevation view thereof;
FIG. 4 is a rear elevation view thereof;
FIG. 5 is a right side elevation view thereof;
FIG. 6 is a left side elevation view thereof; and,
FIG. 7 is a top plan view thereof.

1 Claim, 7 Drawing Sheets



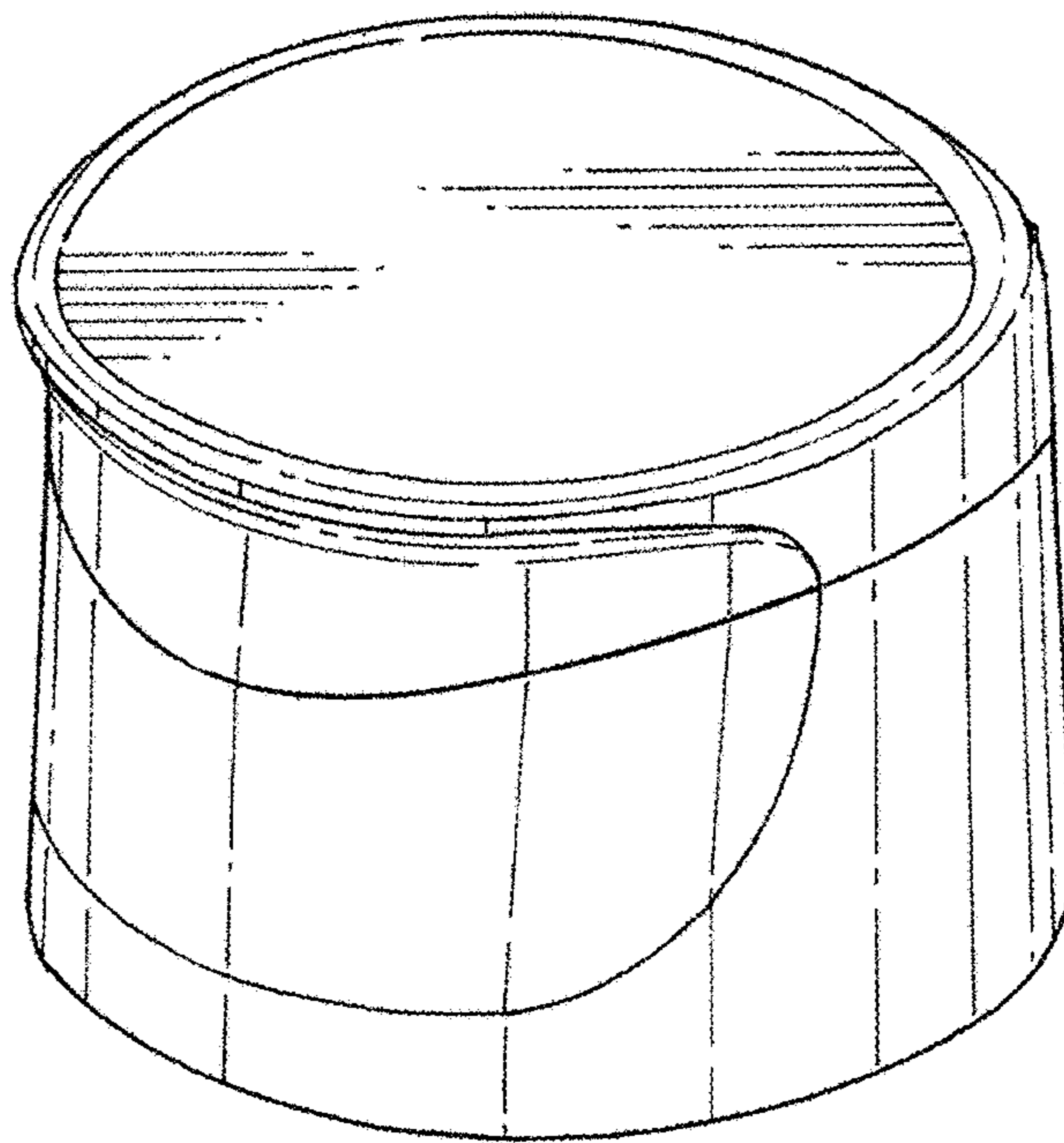


FIG. 1

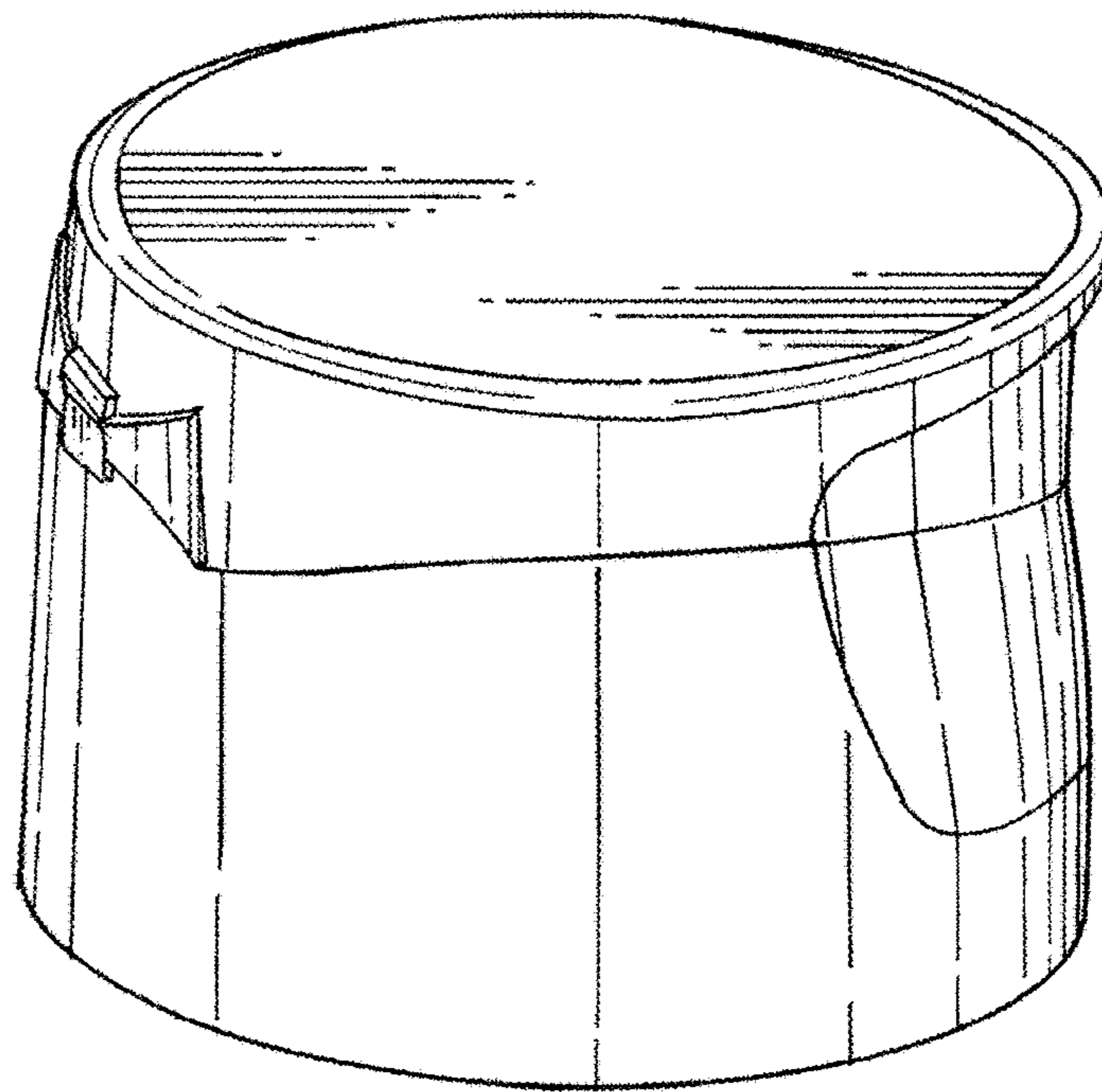


FIG. 2

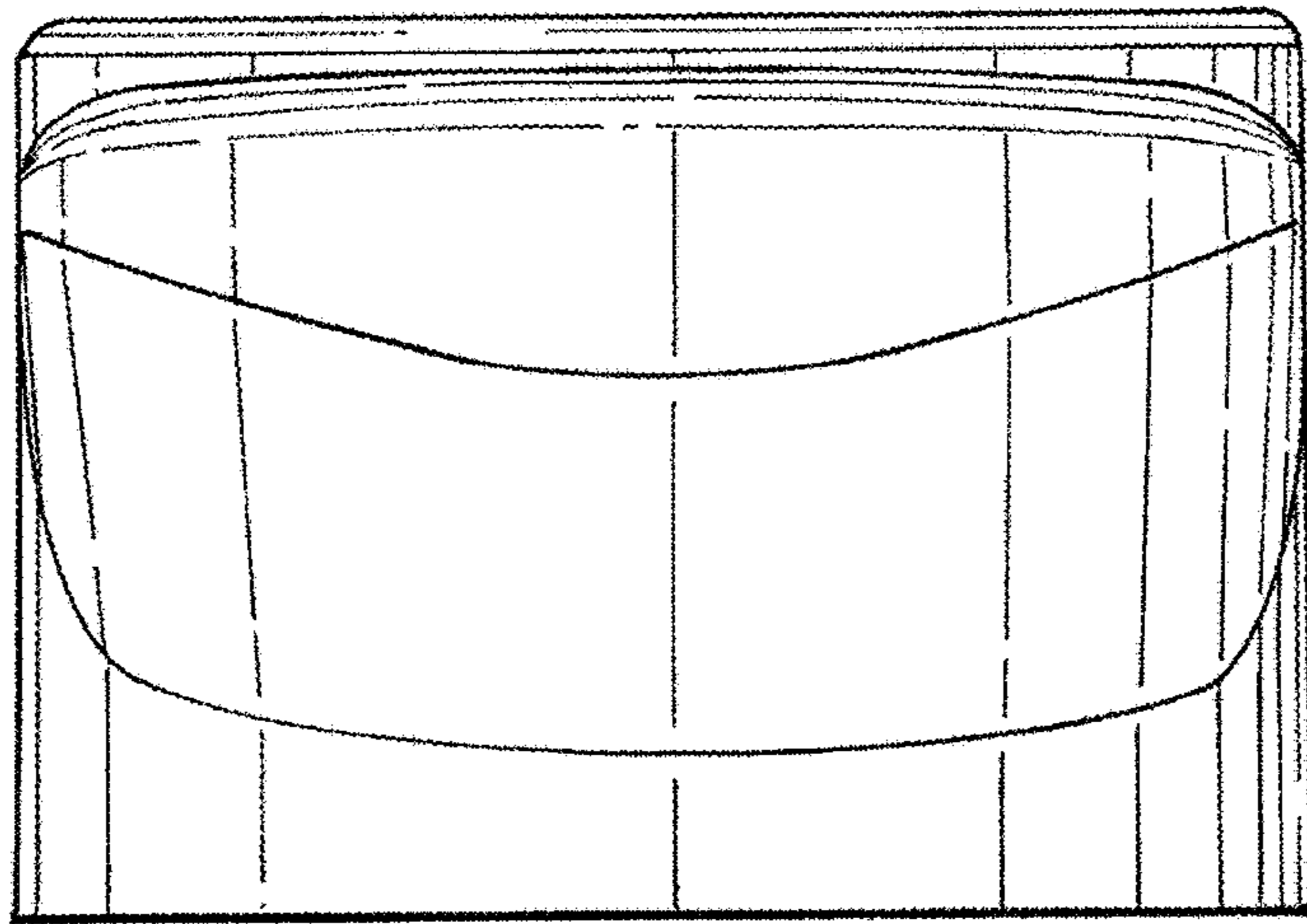


FIG. 3

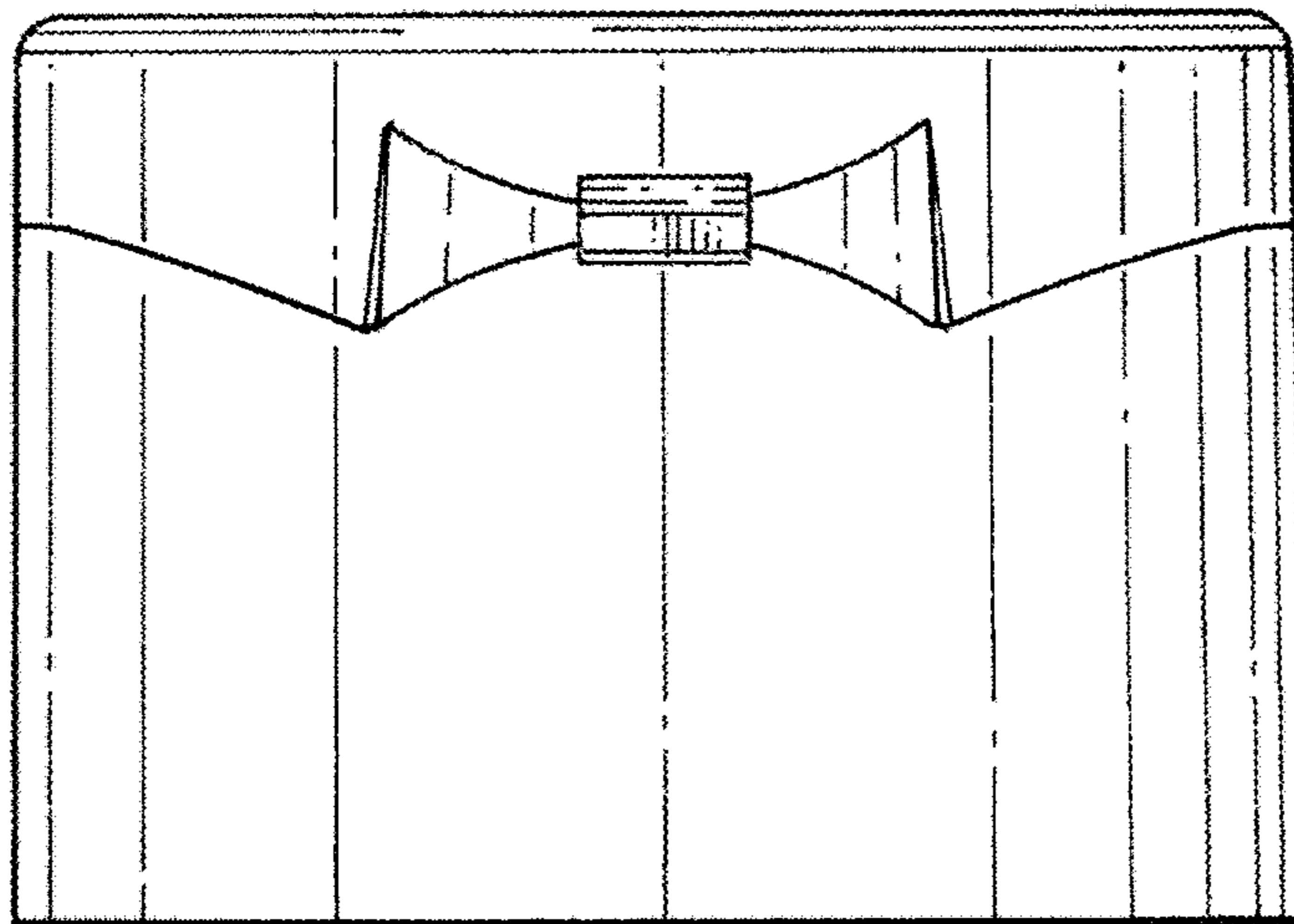


FIG. 4

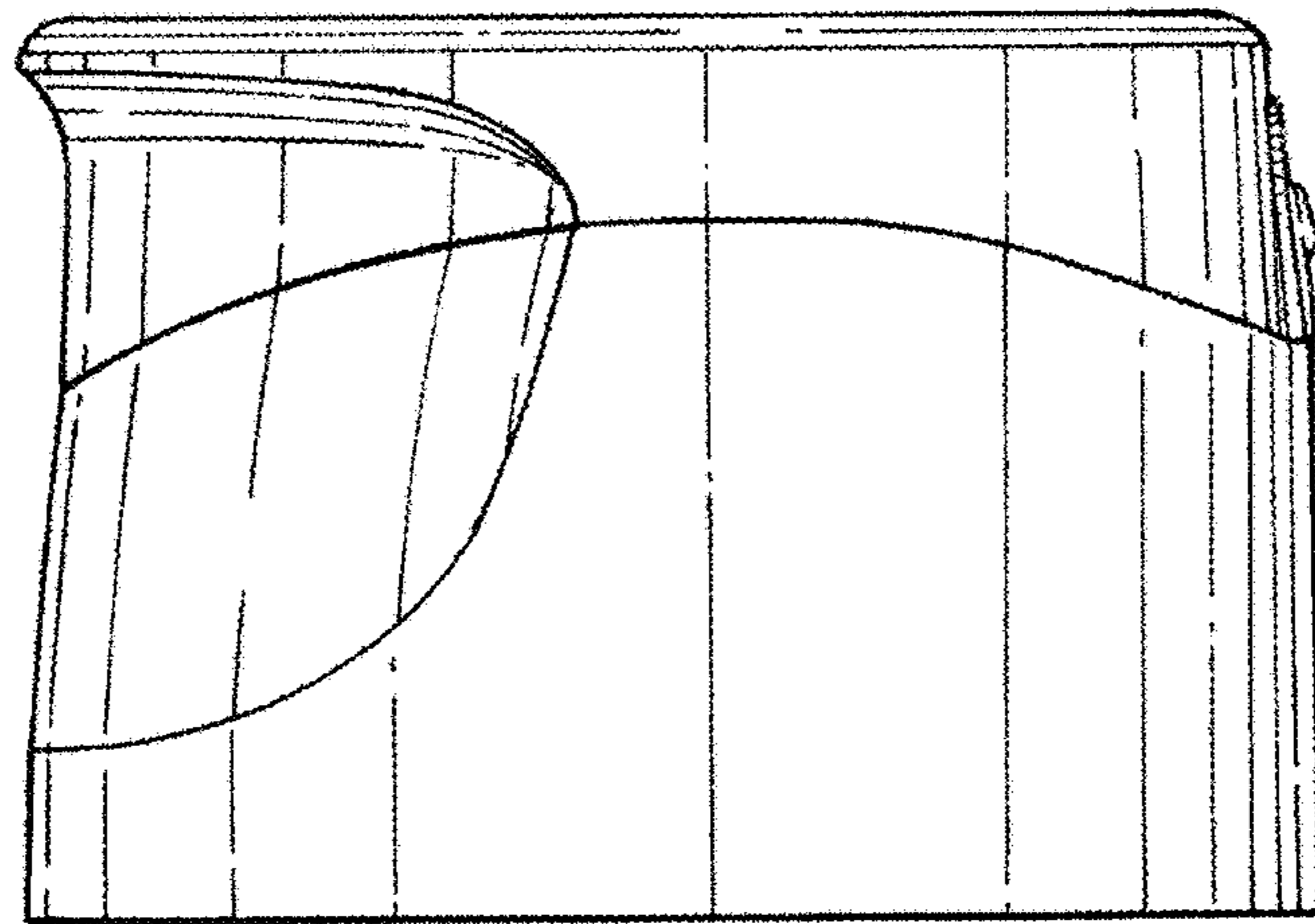


FIG. 5

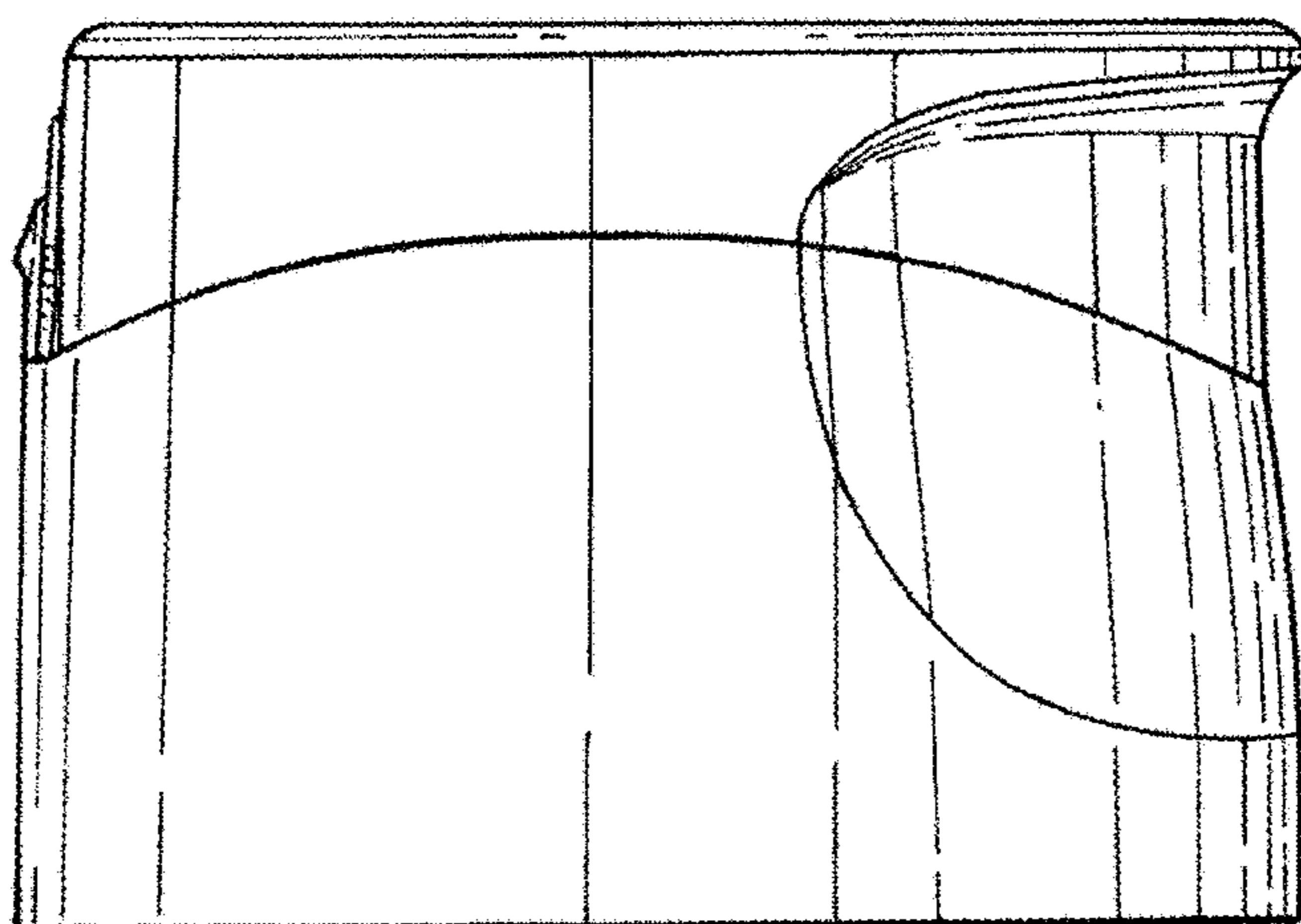


FIG. 6

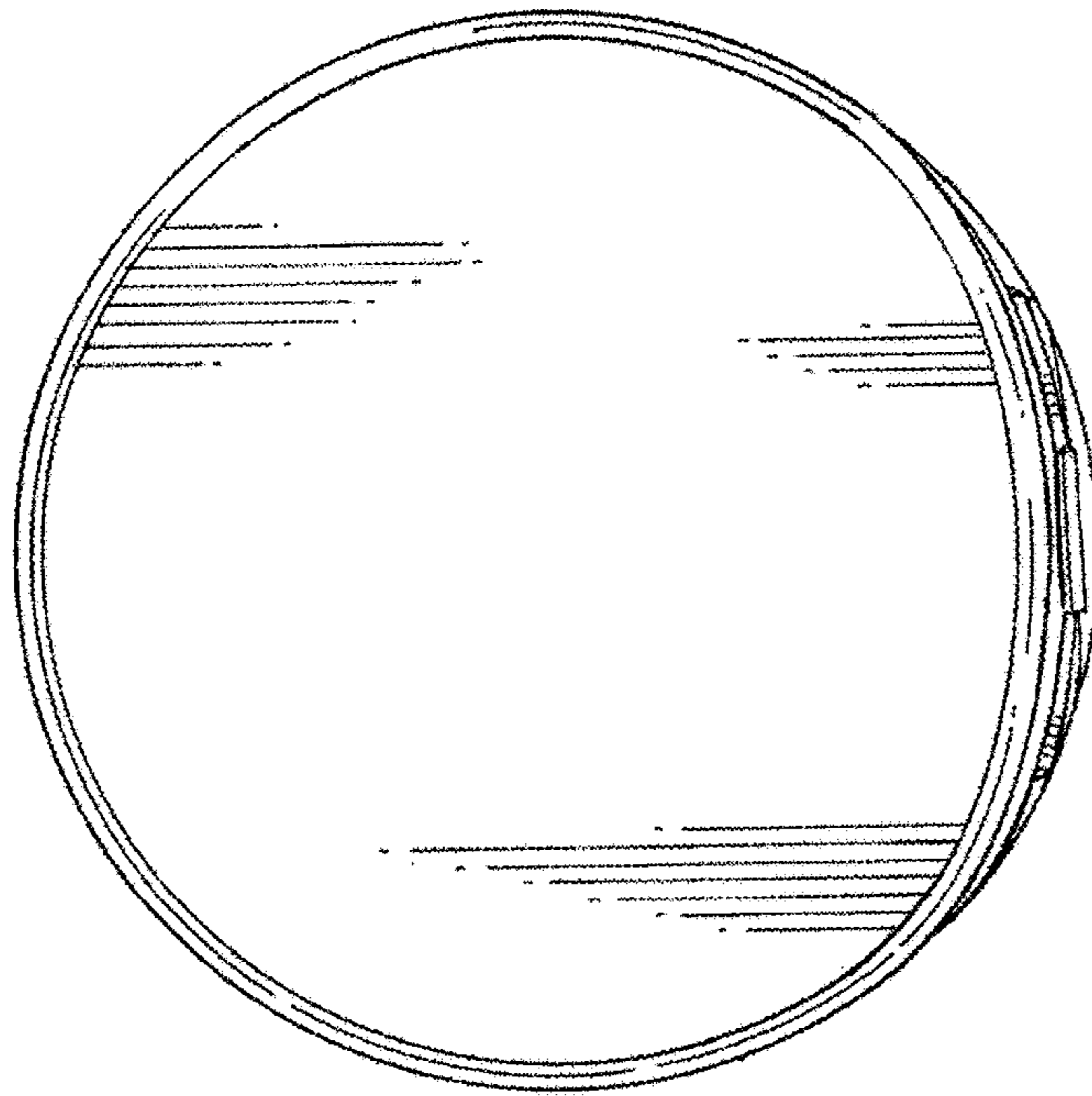


FIG. 7