



US00D857500S

(12) **United States Design Patent**
Vish

(10) **Patent No.:** **US D857,500 S**

(45) **Date of Patent:** **** Aug. 27, 2019**

(54) **CONTAINER LID**

(71) Applicant: **Eco-Products, PBC**, Boulder, CO (US)

(72) Inventor: **Samantha Vish**, Denver, CO (US)

(73) Assignee: **Eco-Products, PBC**, Boulder, CO (US)

(**) Term: **15 Years**

(21) Appl. No.: **29/648,062**

(22) Filed: **May 17, 2018**

(51) **LOC (12) Cl.** **09-07**

(52) **U.S. Cl.**

USPC **D9/443**; D7/392.1

(58) **Field of Classification Search**

USPC D9/414, 416, 425, 434, 435, 436, 438,
D9/439, 440, 442, 443, 446-450,
D9/452-457, 499, 503-505, 682, 685,
D9/686, 432; D7/387, 391, 392, 392.1,
D7/393, 394, 396.1-396.4, 401.1,
D7/503-505, 509-511, 538, 900, 354,
D7/360, 543, 548, 550.1, 552.1, 554.3,
D7/629; D3/201, 202, 203.2, 318, 323;
D28/91, 91.1

CPC .. A61J 1/00; A61J 1/1412; B65D 1/00; B65D
1/02; B65D 1/10; B65D 1/46; B65D
2585/56; B65D 2585/545; B65D 41/00;
B65D 41/38; B65D 41/56; B65D 41/62;
B65D 47/00; B65D 47/06; B65D 47/08;
B65D 2543/00046; B65D 2543/00092;

(Continued)

(56) **References Cited**

U.S. PATENT DOCUMENTS

1,204,429 A * 11/1916 Griswold A47J 37/10
99/425
D212,821 S * 11/1968 Benes D7/545
D398,812 S * 9/1998 Laib D7/391

(Continued)

Primary Examiner — Michael A. Pratt

Assistant Examiner — Wendy L Arminio

(74) *Attorney, Agent, or Firm* — Maine Cernota & Rardin

(57) **CLAIM**

The ornamental design for a container lid, as shown and described.

DESCRIPTION

FIG. 1 depicts a top perspective view of a first embodiment of a container lid of the present disclosure;

FIG. 2 depicts a bottom perspective view of the container lid of FIG. 1;

FIG. 3 depicts a right side view of the container lid of FIG. 1;

FIG. 4 depicts a left side view of the container lid of FIG. 1;

FIG. 5 depicts a front side view of the container lid of FIG. 1;

FIG. 6 depicts a rear side view of the container lid of FIG. 1;

FIG. 7 depicts a top view of the container lid of FIG. 1;

FIG. 8 depicts a bottom view of the container lid of FIG. 1;

FIG. 9 depicts a top perspective view of a second embodiment of a container lid of the present disclosure;

FIG. 10 depicts a bottom perspective view of the container lid of FIG. 9;

FIG. 11 depicts a right side view of the container lid of FIG. 9;

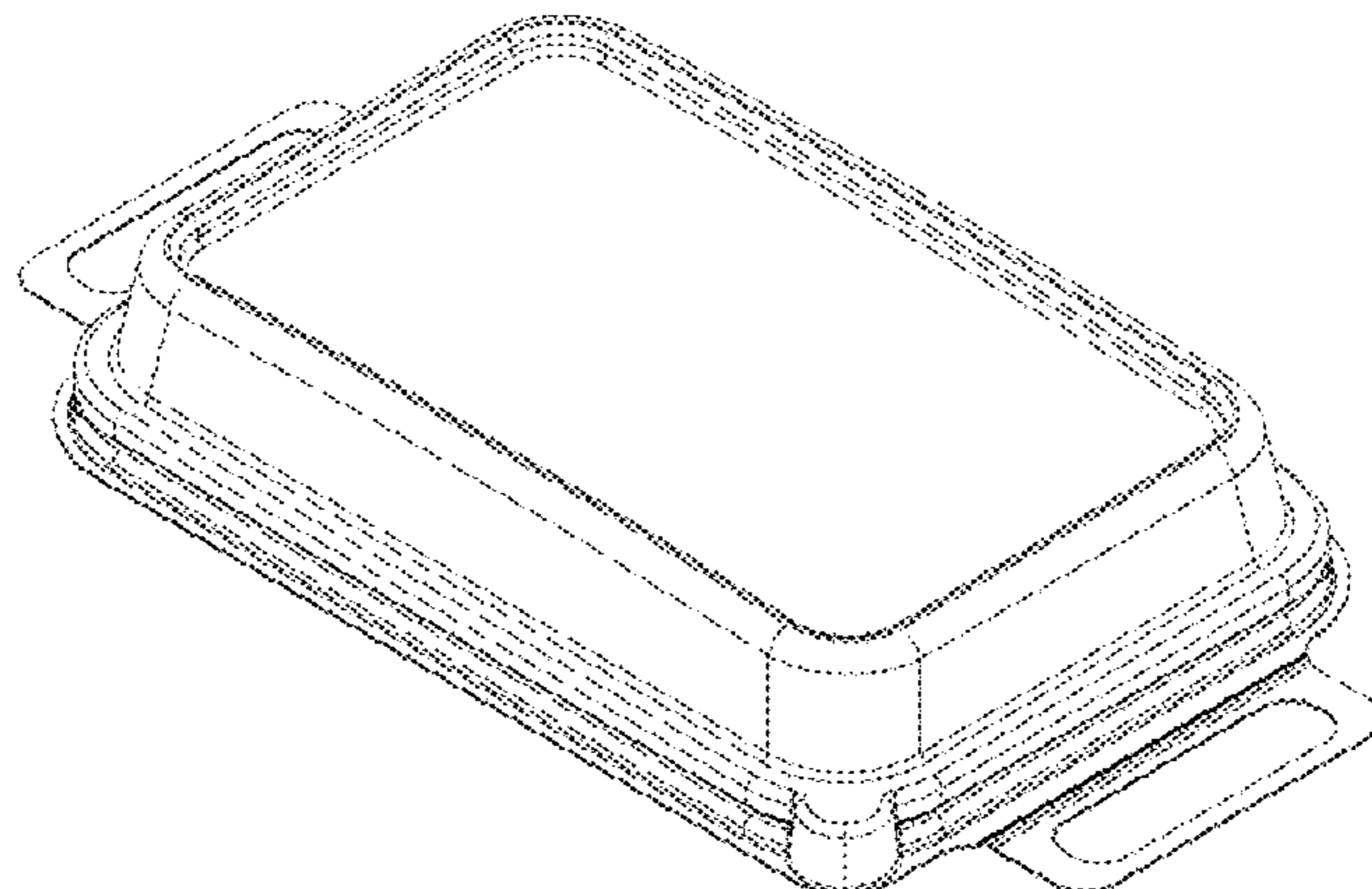
FIG. 12 depicts a left side view of the container lid of FIG. 9;

FIG. 13 depicts a front side view of the container lid of FIG. 9;

FIG. 14 depicts a rear side view of the container lid of FIG. 9;

FIG. 15 depicts a top view of the container lid of FIG. 9; and, FIG. 16 depicts a bottom view of the container lid of FIG. 9.

1 Claim, 12 Drawing Sheets



(58) **Field of Classification Search**

CPC B65D 2543/00296; B65D 5/46; B65D
2251/00

See application file for complete search history.

(56) **References Cited**

U.S. PATENT DOCUMENTS

D436,495 S * 1/2001 Ferrer D7/360
D465,382 S * 11/2002 Wolf D7/392.1
D472,767 S * 4/2003 Gebhardt D7/545
D521,379 S * 5/2006 Geisselbrecht D9/435
D527,942 S * 9/2006 Czebiniak D7/360
D529,332 S * 10/2006 Hoenstein D7/360
D549,519 S * 8/2007 Moon D7/391
D560,099 S * 1/2008 Hatcher D7/554.3
D582,201 S * 12/2008 Kellermann D7/360
D611,305 S * 3/2010 Hart D7/360
D615,721 S * 5/2010 Martin D34/1
D631,703 S * 2/2011 Green-Cotton D7/545
D635,820 S * 4/2011 Molayem D7/354
D669,311 S * 10/2012 Hsu D7/553.5
D675,057 S * 1/2013 Harvey D7/391
D677,116 S * 3/2013 Smyers D7/391
D695,575 S * 12/2013 Katz D7/629
D732,886 S * 6/2015 Heiberg D7/392.1
D733,489 S * 7/2015 Nelson D7/391
D735,524 S * 8/2015 Holding D9/443
D809,335 S * 2/2018 Bouveret D7/392.1
D829,036 S * 9/2018 Garcia Luna D7/360
D835,456 S * 12/2018 Sedgwick D7/392.1

* cited by examiner

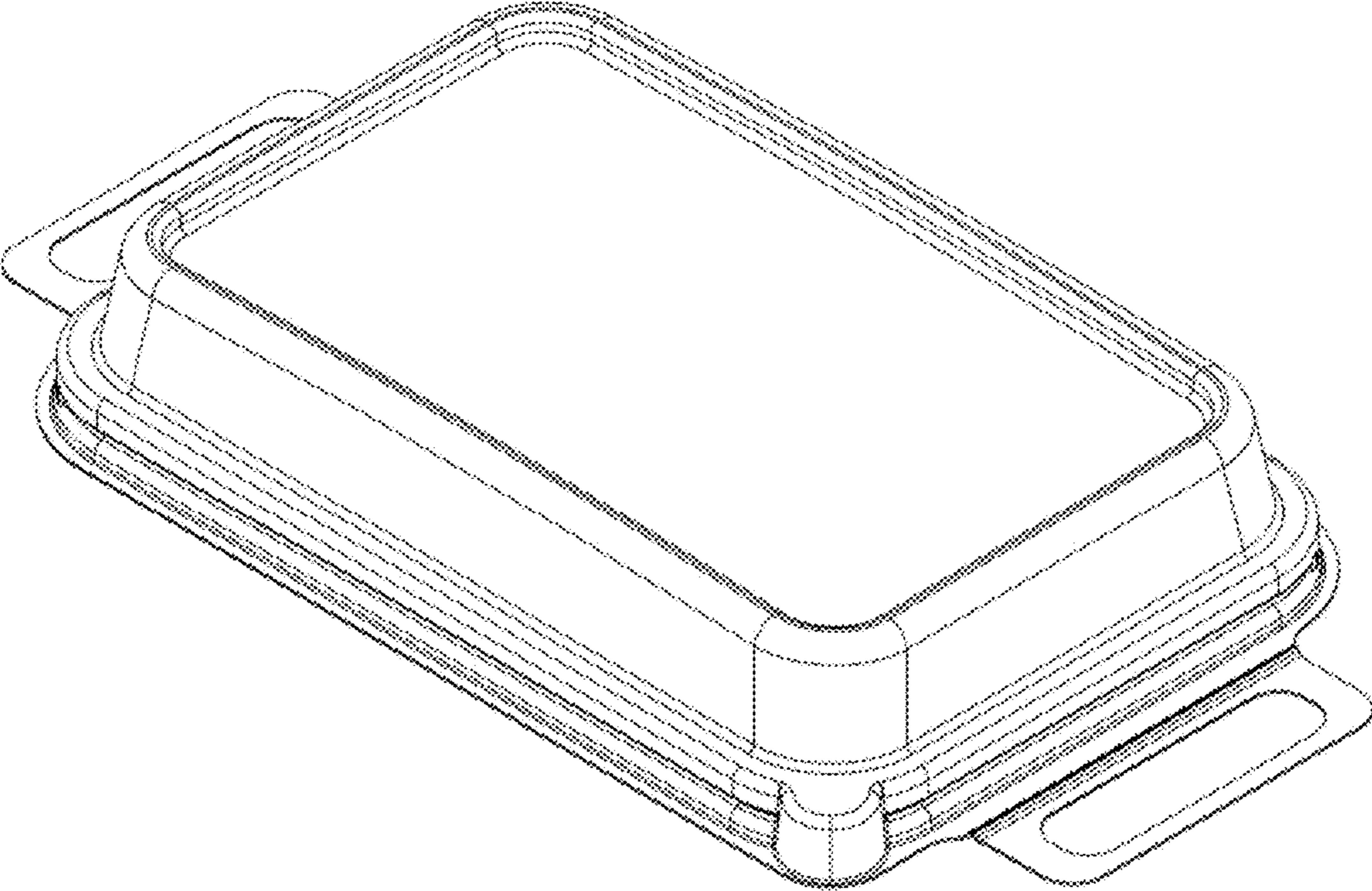


FIG. 1

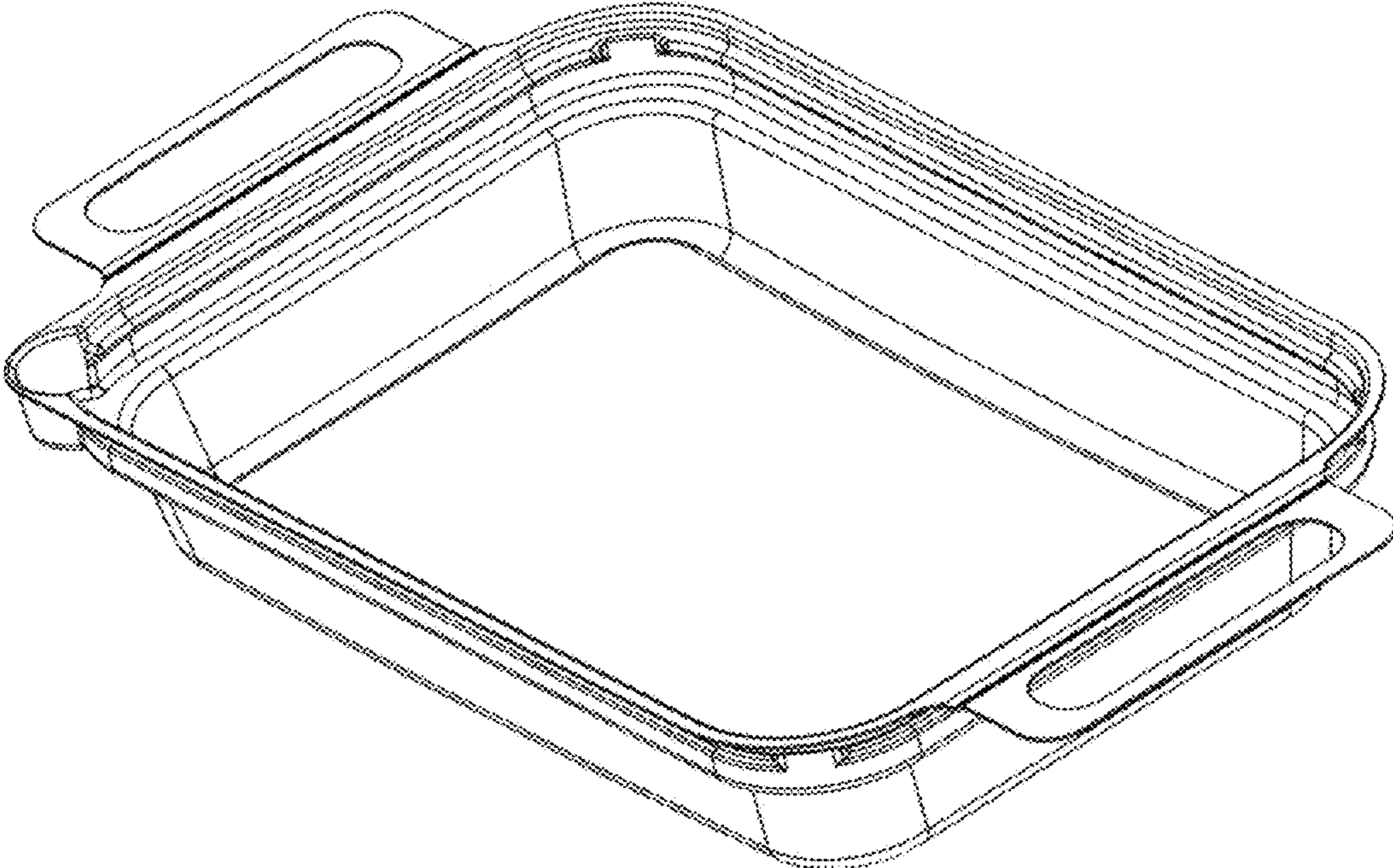


FIG. 2

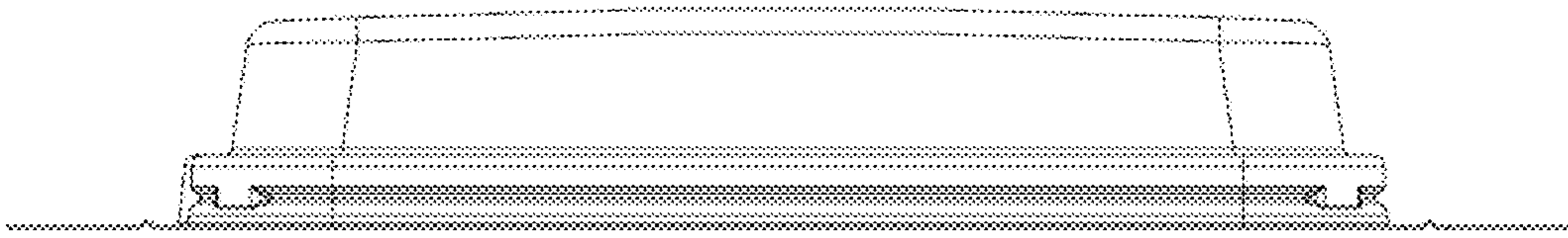


FIG. 3

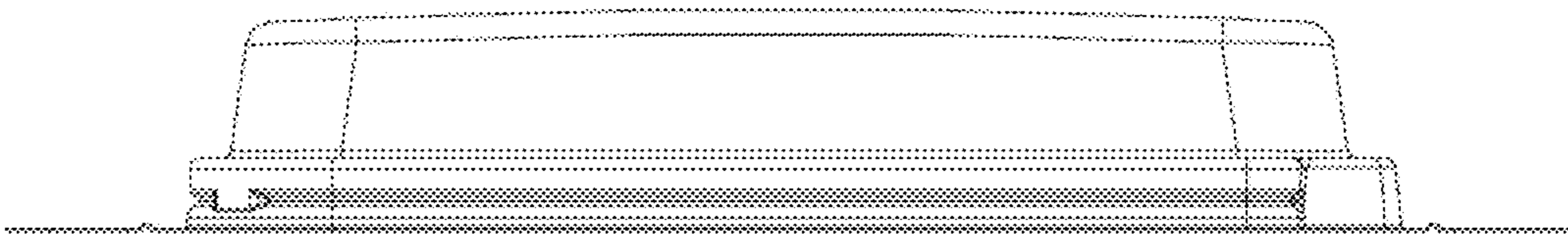


FIG. 4

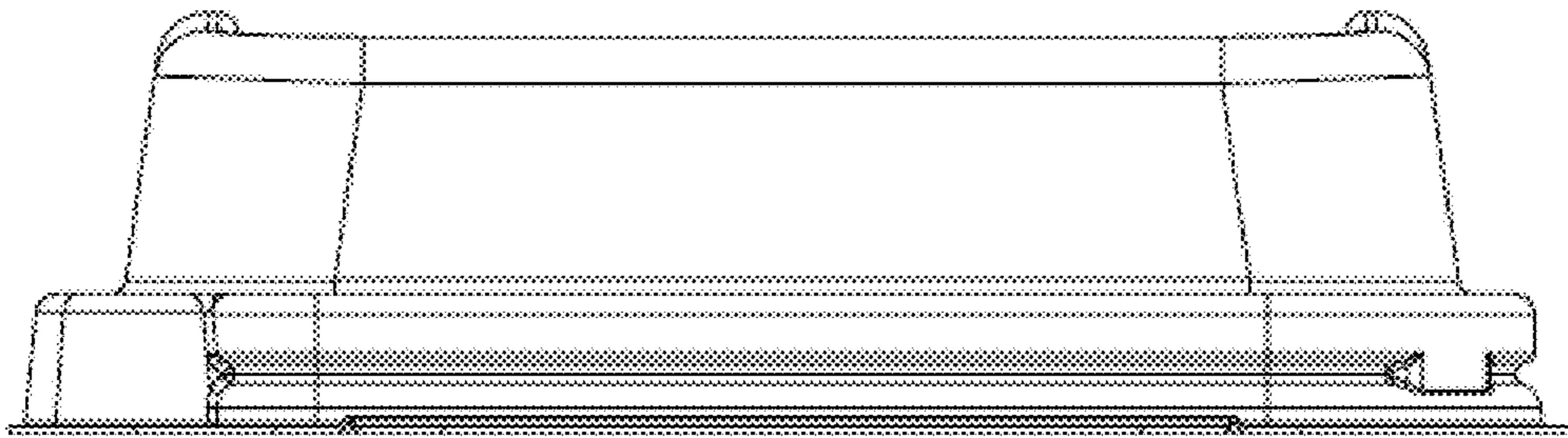


FIG. 5

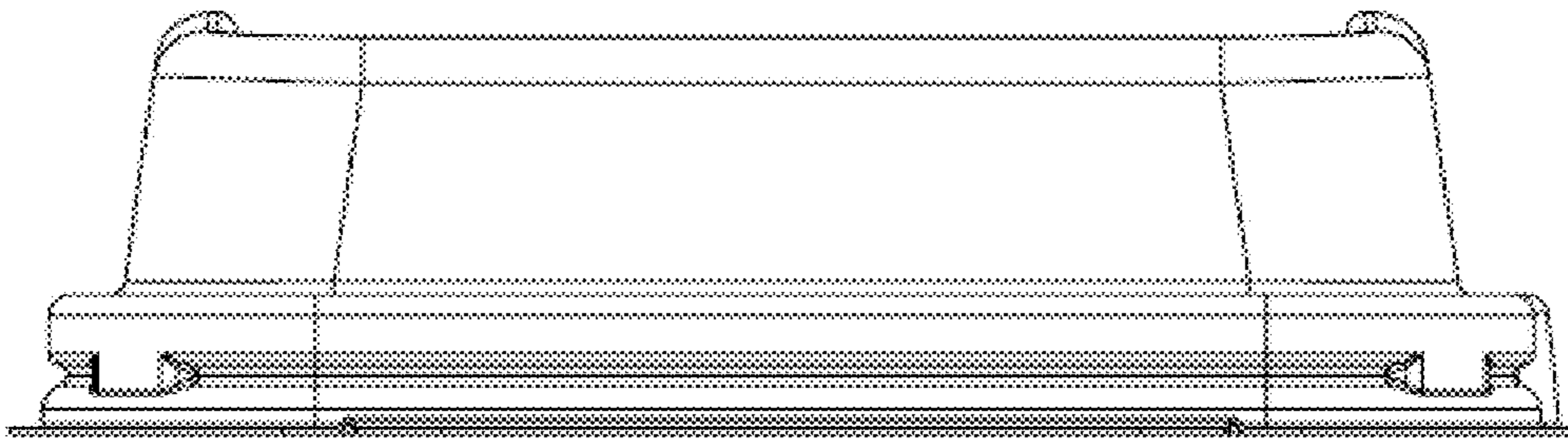


FIG. 6

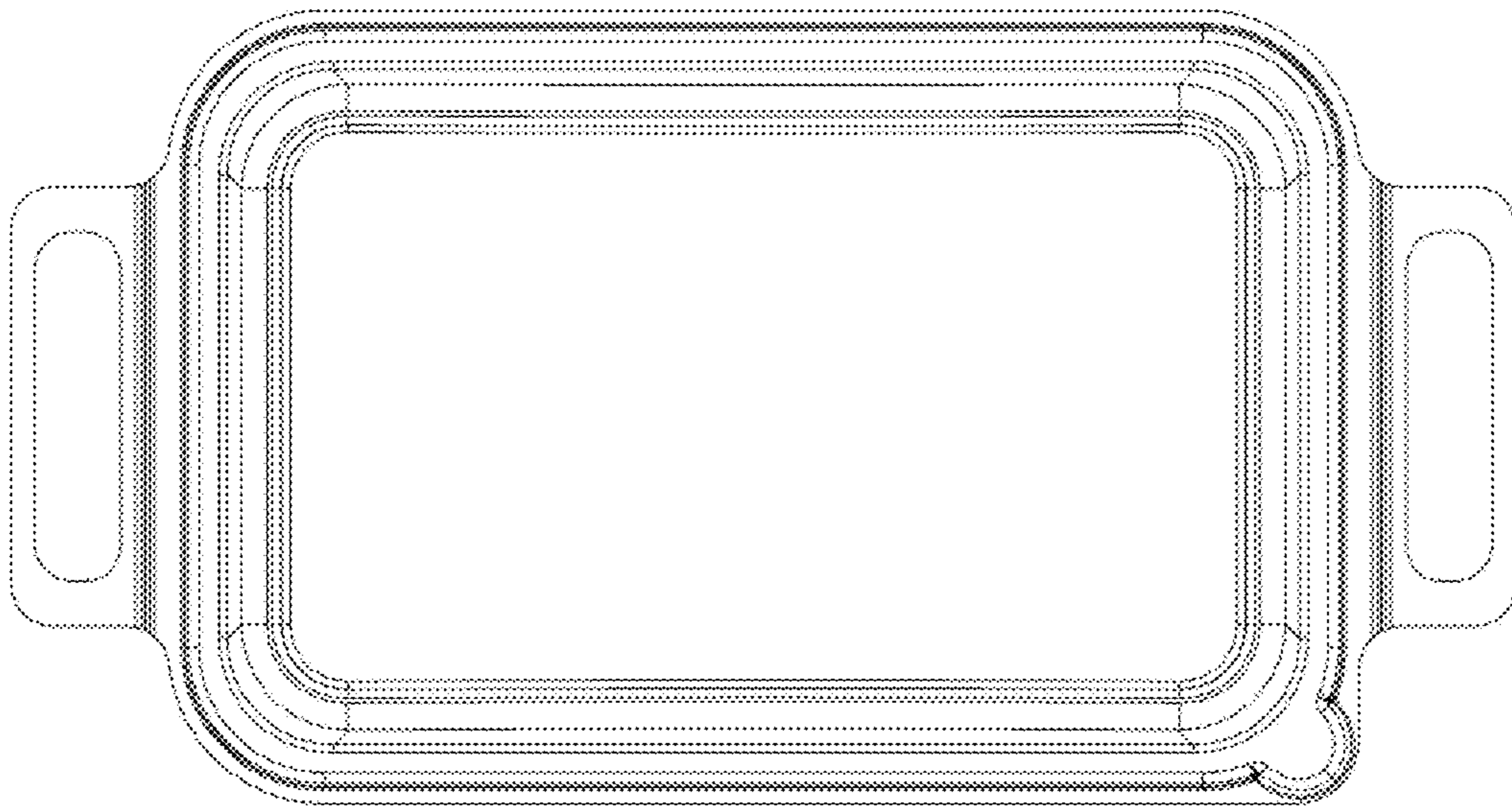


FIG. 7

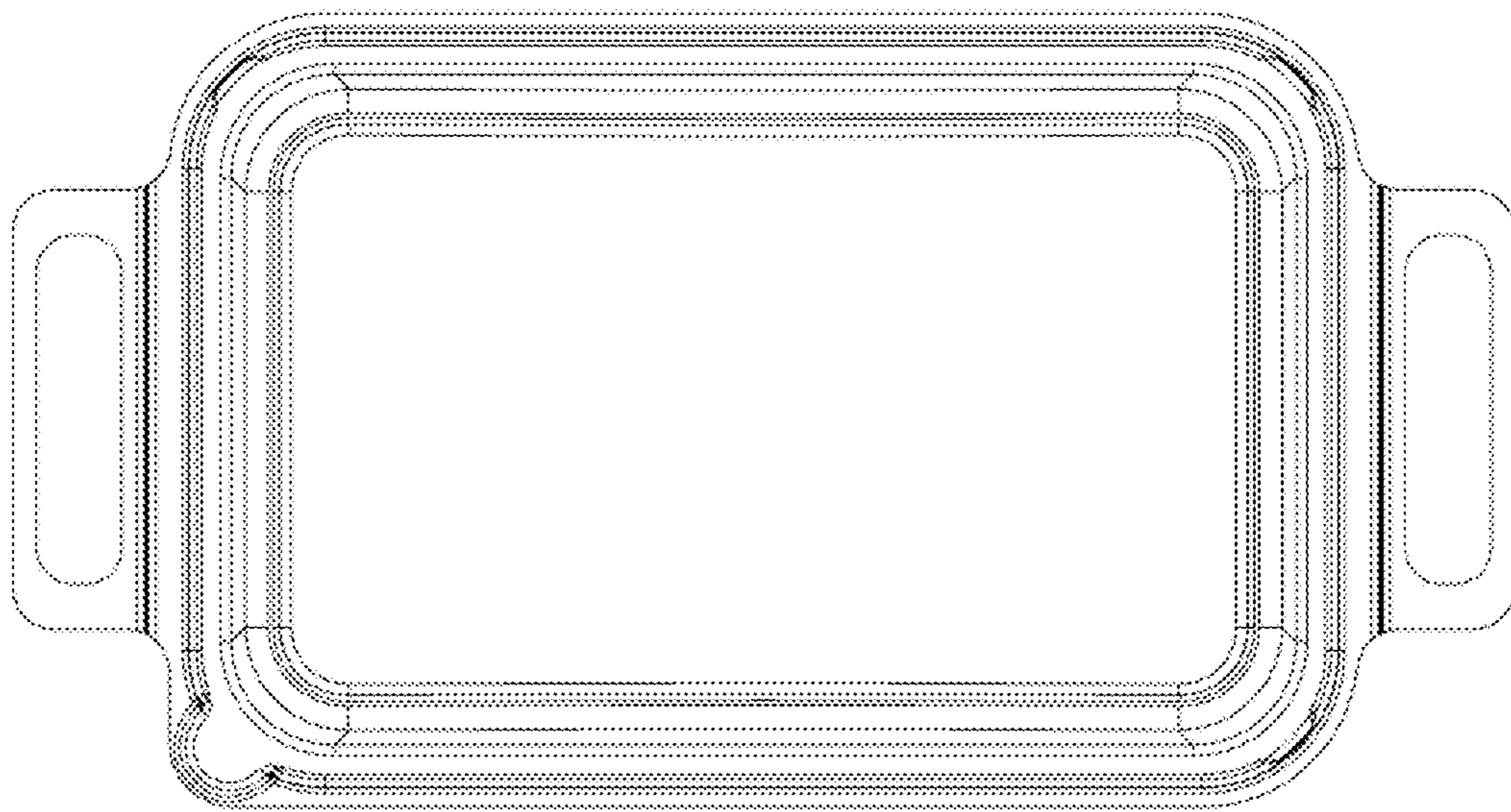


FIG. 8

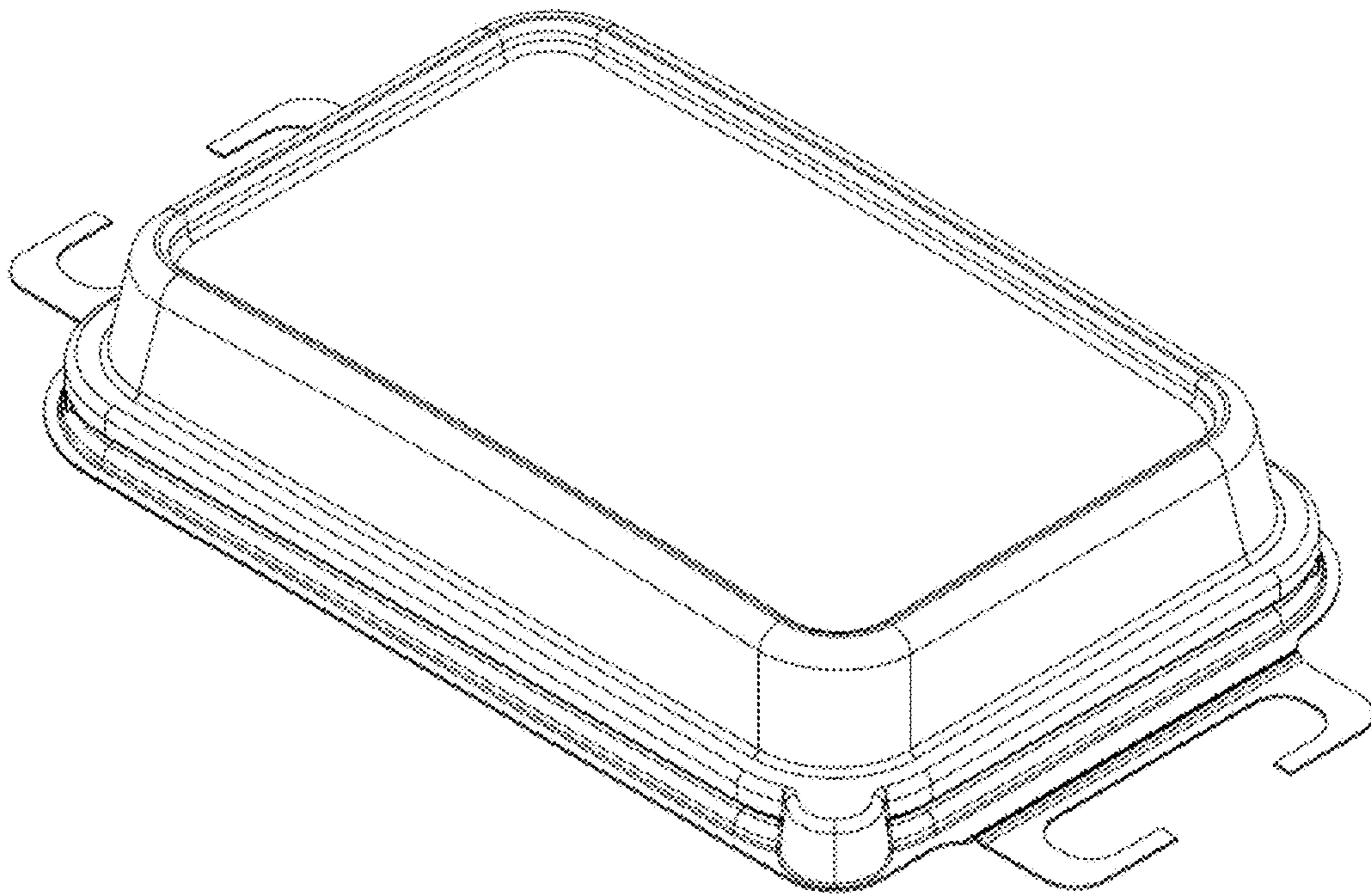


FIG. 9

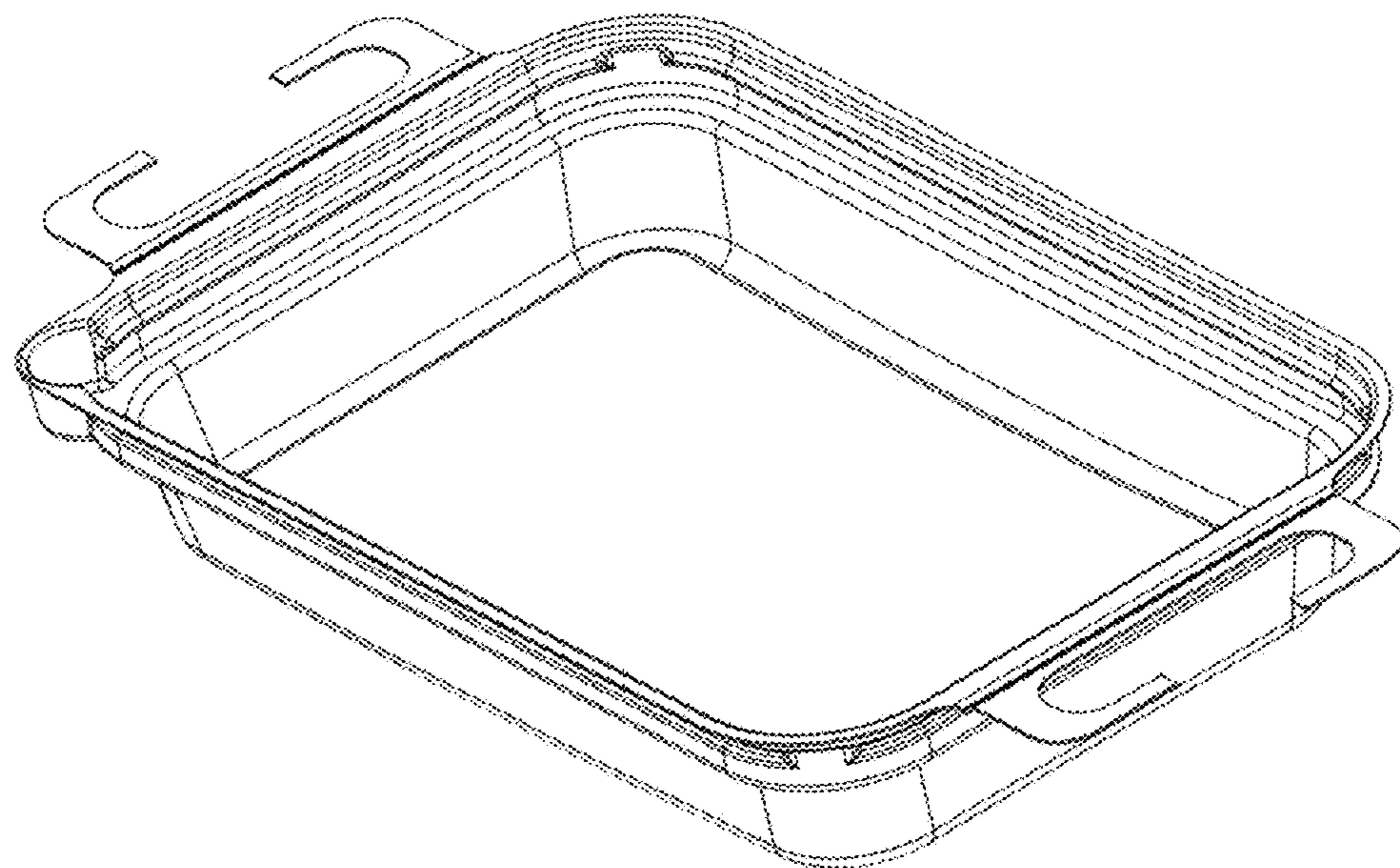


FIG. 10

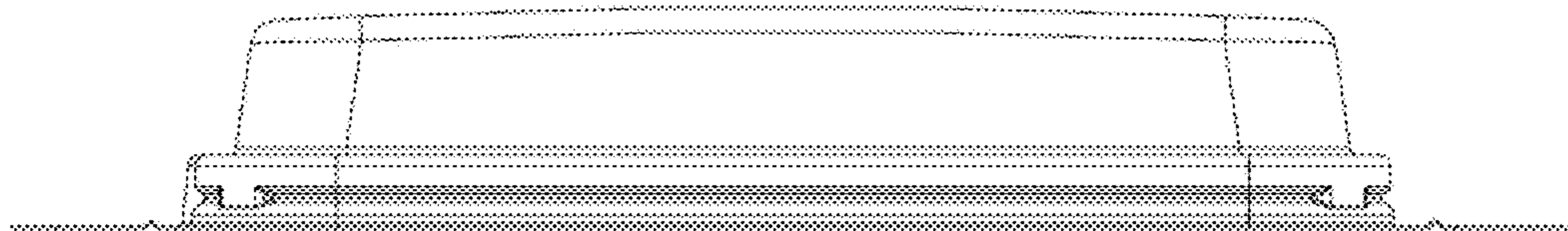


FIG. 11

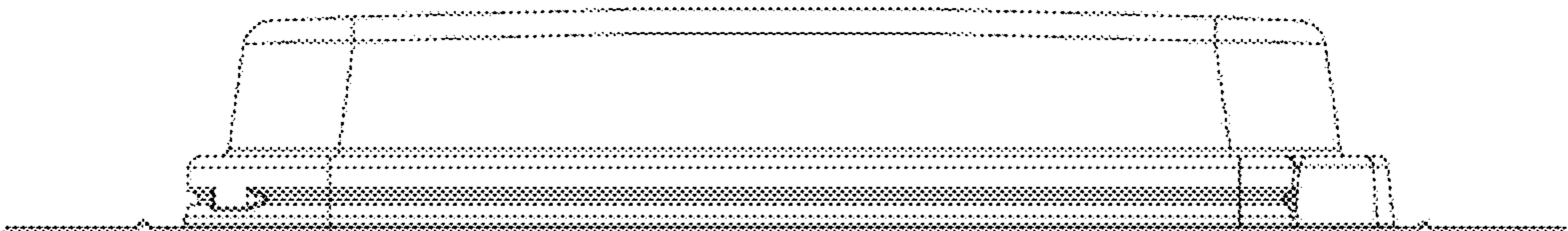


FIG. 12

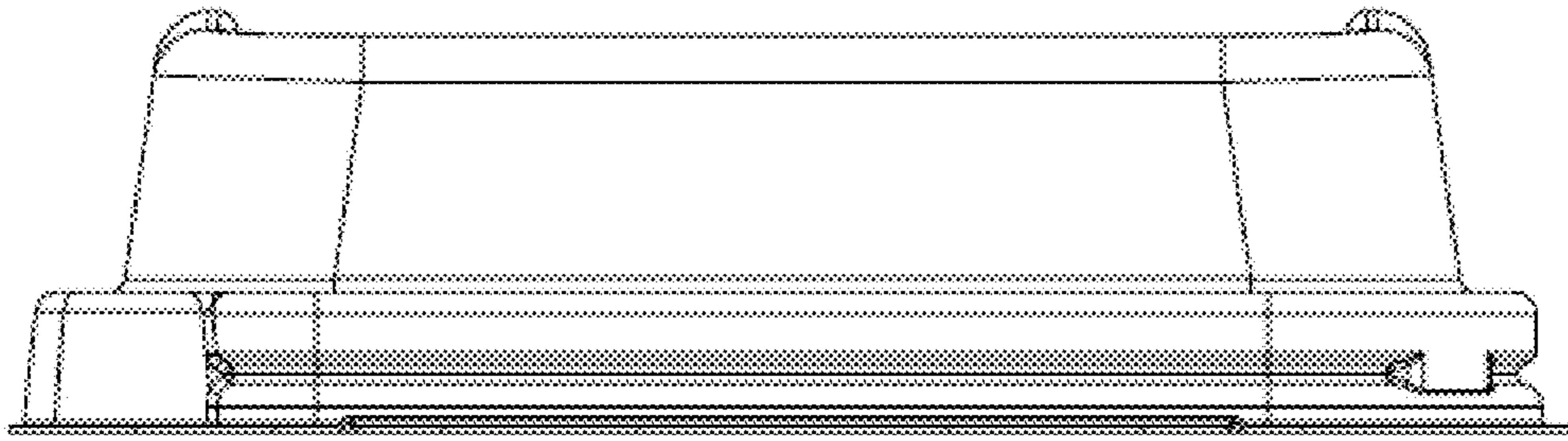


FIG. 13



FIG. 14

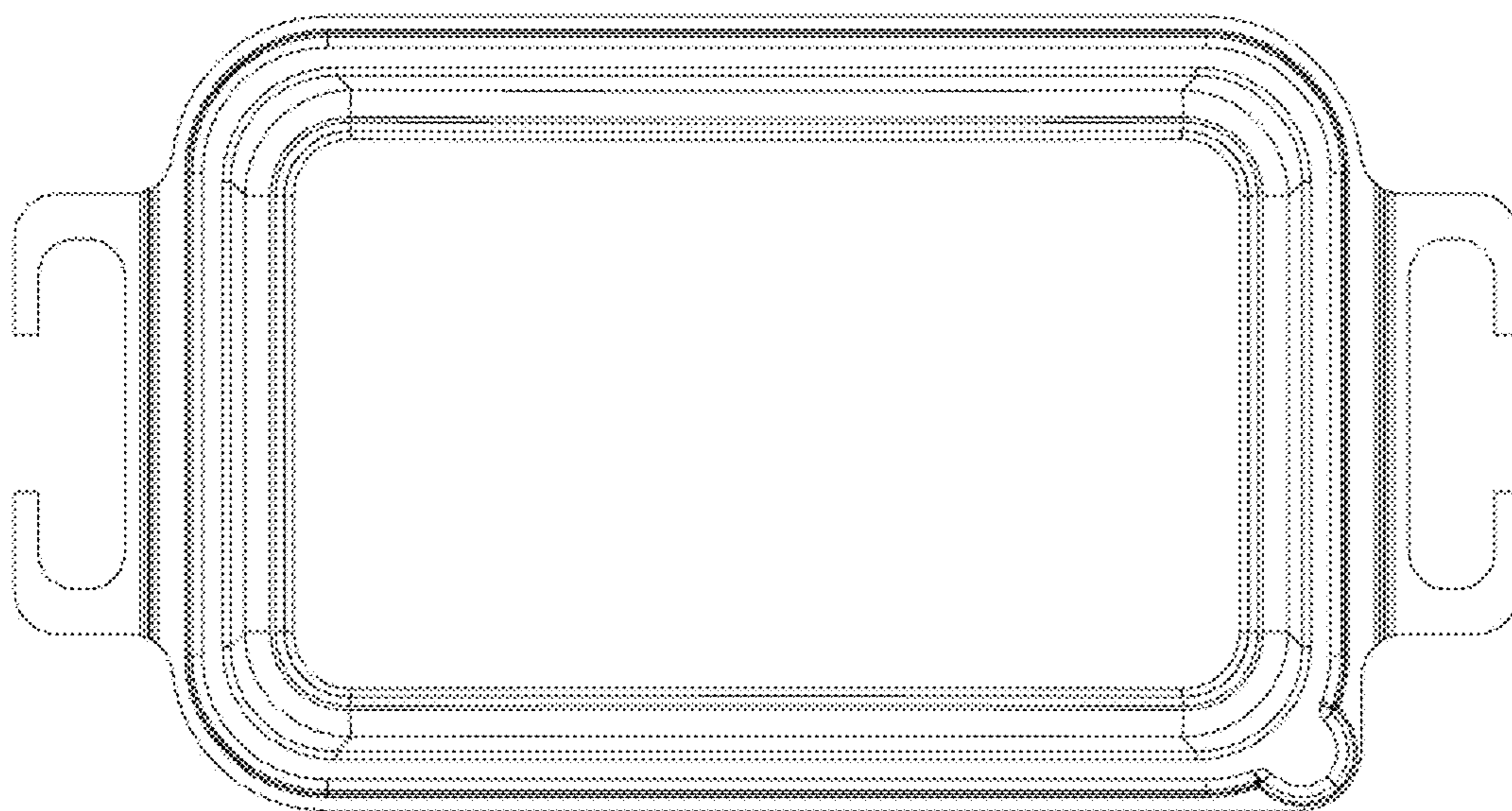


FIG.15



FIG. 16