



US00D857495S

(12) **United States Design Patent**
Elman

(10) **Patent No.:** **US D857,495 S**

(45) **Date of Patent:** **** Aug. 27, 2019**

(54) **FOLD-UP CONTAINER/DISPENSER WITH A FLOOR AND A DISPERSION PLATFORM**

(71) Applicant: **Noel Elman**, Brookline, MA (US)

(72) Inventor: **Noel Elman**, Brookline, MA (US)

(**) Term: **15 Years**

(21) Appl. No.: **29/633,676**

(22) Filed: **Jan. 15, 2018**

(51) **LOC (12) Cl.** **09-03**

(52) **U.S. Cl.**
USPC **D9/430; D9/420**

(58) **Field of Classification Search**

USPC D9/414-423, 424-429, 430-432, 433,
D9/434, 456, 457, 711, 713, 721-722
CPC ... B65D 5/00; B65D 5/02; B65D 5/18; B65D
5/20

See application file for complete search history.

(56) **References Cited**

U.S. PATENT DOCUMENTS

2,112,879 A * 4/1938 Broderick B65D 5/02
206/110
2,120,871 A * 6/1938 Rudowitz B65D 5/3607
229/108.1
2,342,623 A * 2/1944 Aquino B65D 5/02
229/108

(Continued)

OTHER PUBLICATIONS

Hexagonal Boxes, Custom Hexagonal Boxes. [online] Published on Oct. 18, 2014. Retrieved Dec. 17, 2018 from URL: <http://www.printcustomboxes.com/hexagonal-boxes.html>.*

Primary Examiner — Vy N Koenig

(74) *Attorney, Agent, or Firm* — Quickpatents, LLC;
Kevin Prince

(57) **CLAIM**

I claim the ornamental design for a fold-up container/dispenser with a floor and a dispersion platform, as shown and described.

DESCRIPTION

FIG. 1 is top perspective view of a fold-up container with a floor and a dispersion screen, showing a first embodiment of my new design in an assembled configuration with a lid in a closed configuration;

FIG. 2 is a top perspective view thereof, illustrated with the lid in an open configuration;

FIG. 3 is a top perspective view thereof, illustrated with the lid in an open configuration and the dispersion screen folded away from the container;

FIG. 4 is a front elevational view of FIG. 1;

FIG. 5 is a rear elevational view of FIG. 1;

FIG. 6 is a left-side elevational view of FIG. 1;

FIG. 7 is a right-side elevational view of FIG. 1;

FIG. 8 is a top plan view of FIG. 1;

FIG. 9 is a bottom plan view of FIG. 1;

FIG. 10 is a top plan view thereof, illustrated in a flat unassembled configuration;

FIG. 11 is a top perspective view of a second embodiment thereof in an assembled configuration with the lid in the closed configuration;

FIG. 12 is a top perspective view thereof, illustrated with the lid in an open configuration;

FIG. 13 is a top perspective view thereof, illustrated with the lid in an open configuration and the dispersion screen folded away from the container;

FIG. 14 is a front elevational view of FIG. 11;

FIG. 15 is a rear elevational view of FIG. 11;

FIG. 16 is a left-side elevational view of FIG. 11;

FIG. 17 is a right-side elevational view of FIG. 11;

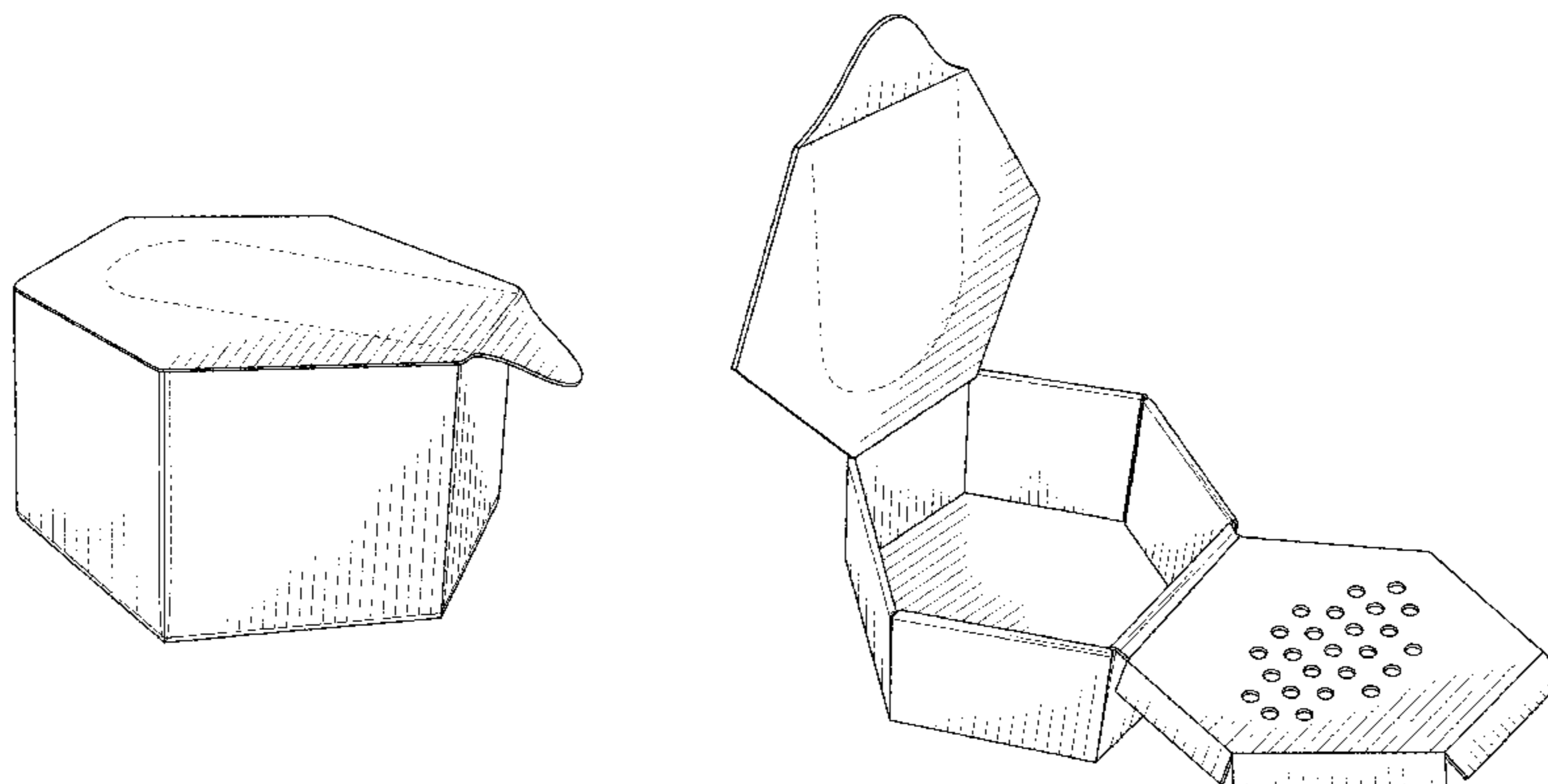
FIG. 18 is a top plan view of FIG. 11;

FIG. 19 is a bottom plan view of FIG. 11; and,

FIG. 20 is a top plan view thereof, illustrated in a flat unassembled configuration.

The broken lines in the figures depict portions of the fold-up container that form no part of the claimed design.

1 Claim, 12 Drawing Sheets



(56)

References Cited

U.S. PATENT DOCUMENTS

2,925,213 A * 2/1960 Zukoski B65D 5/2033
229/109
4,166,568 A * 9/1979 Swan B65D 5/12
229/108
D401,147 S * 11/1998 Miller D9/431
5,971,263 A * 10/1999 Mangano B65D 5/02
220/529
D484,406 S * 12/2003 Jacquet D9/416
D495,247 S * 8/2004 Keberlein D9/418
D672,645 S * 12/2012 Giannini D9/430
D693,675 S * 11/2013 Staller D9/430
D717,163 S * 11/2014 Paulsen D9/431
D764,278 S * 8/2016 Tulin D9/430
D764,909 S * 8/2016 Tulin D9/430
D772,055 S * 11/2016 O'Dowd D9/430
D775,943 S * 1/2017 Quiroga De La Garza .. D9/414
D786,668 S * 5/2017 Cornaglia D9/418
2014/0230313 A1 8/2014 Elman

* cited by examiner

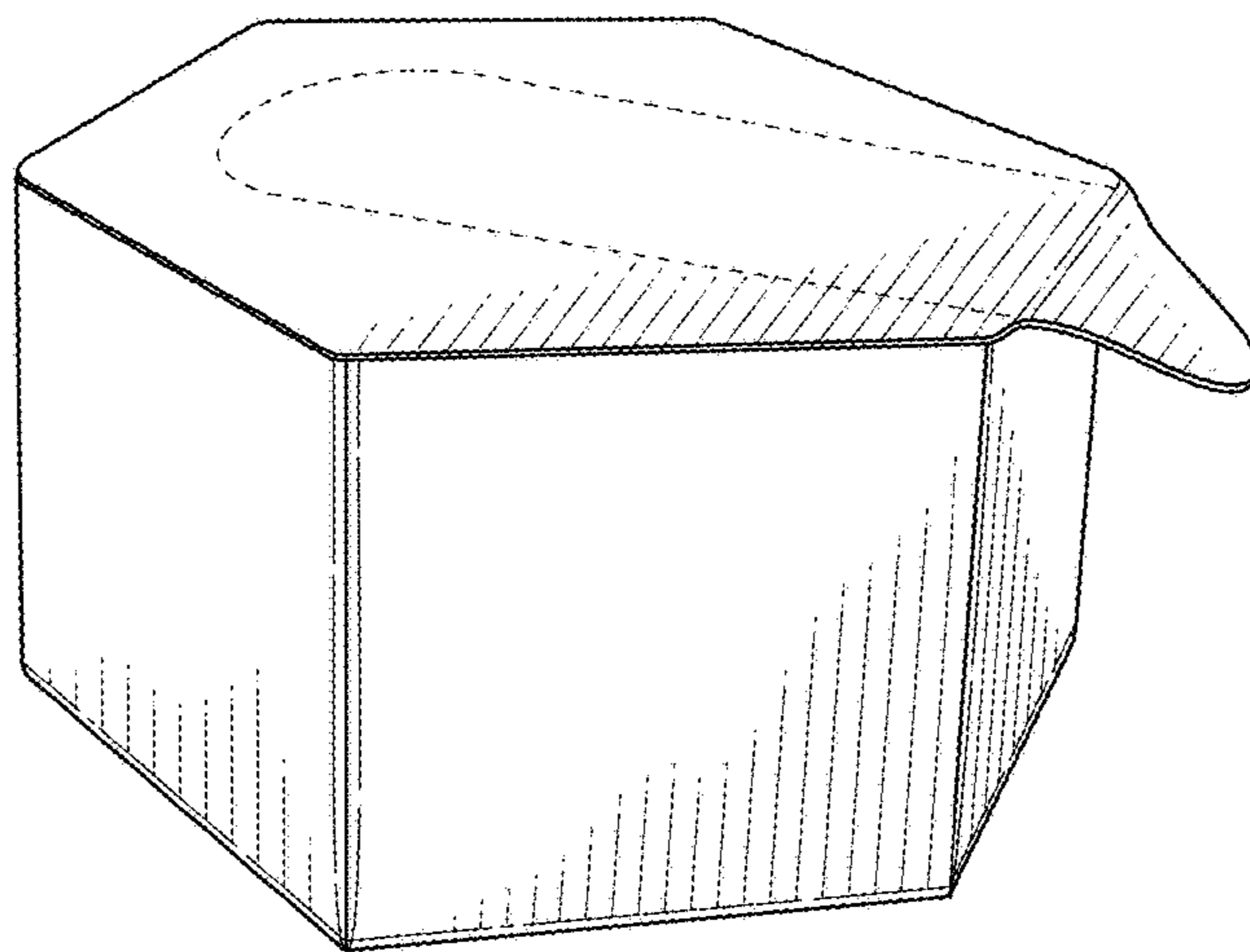


FIG. 1

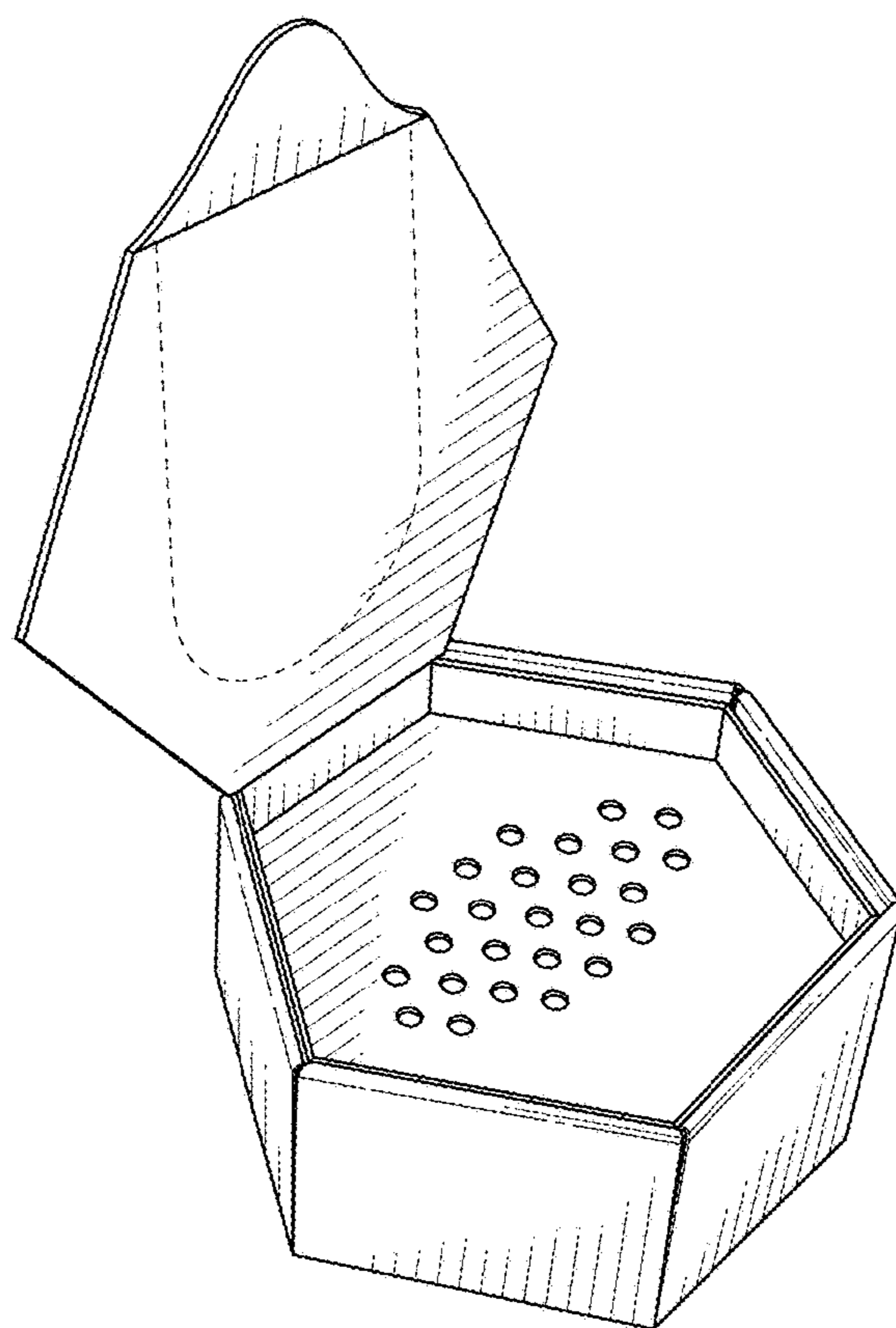


FIG. 2

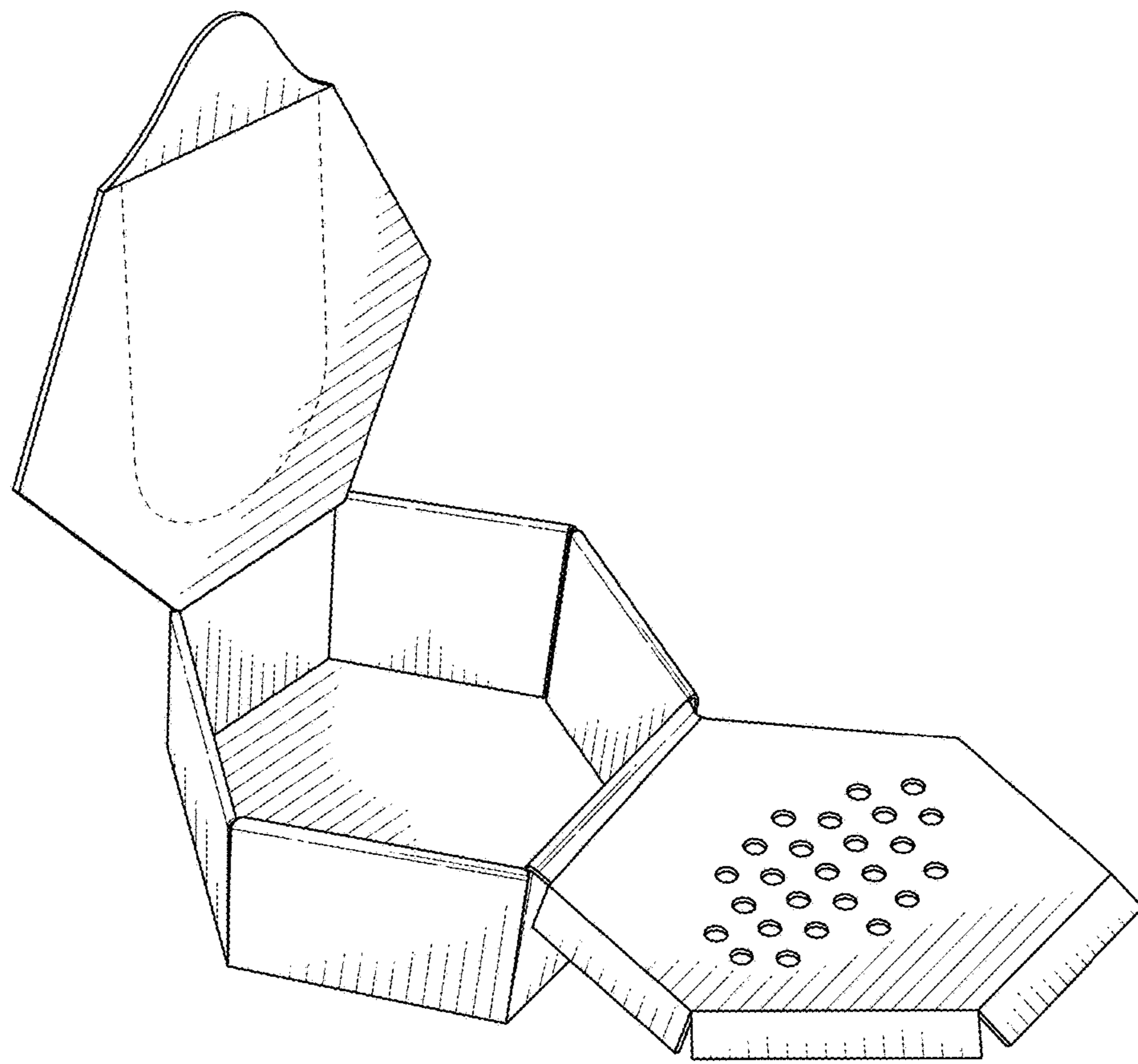


FIG. 3

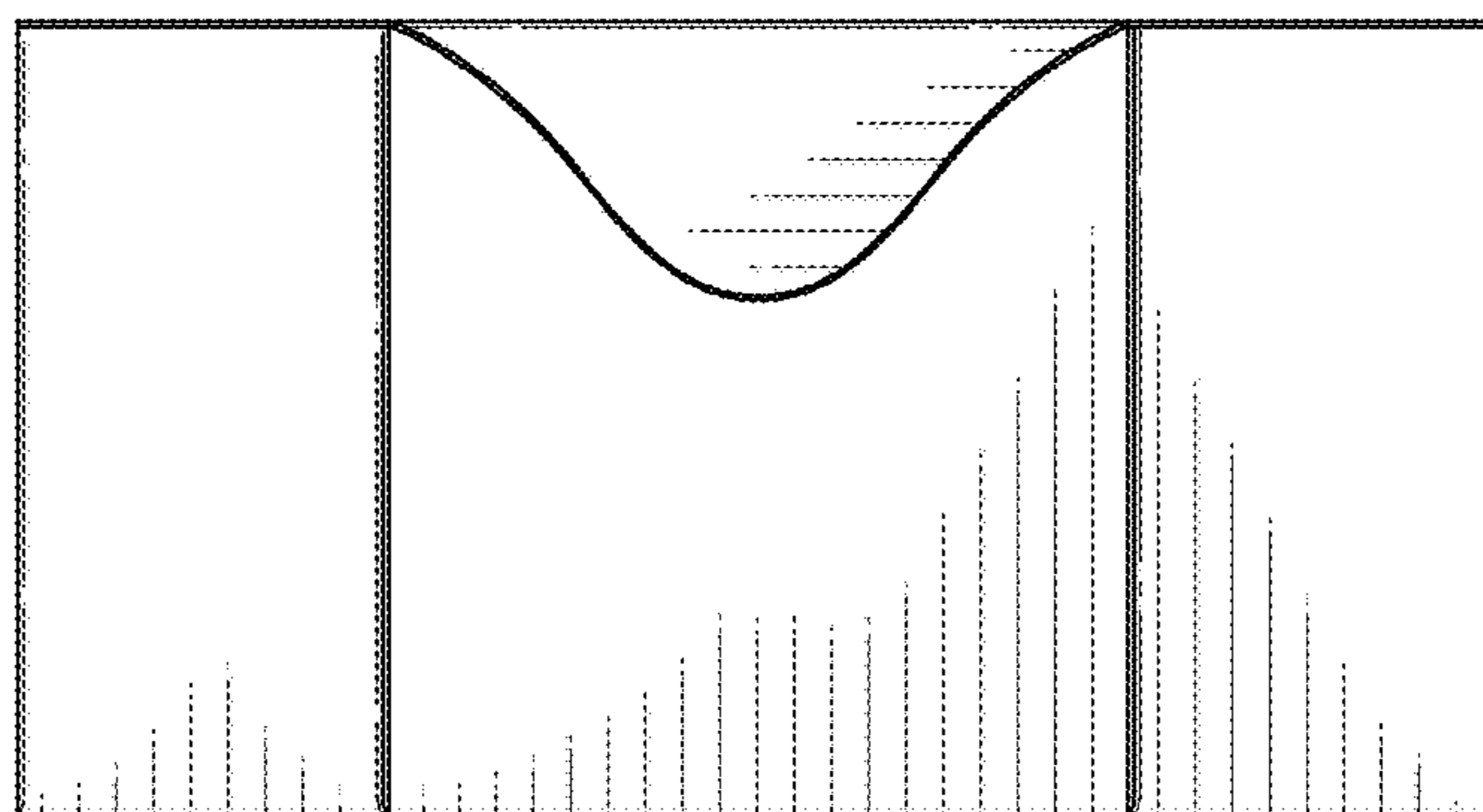


FIG. 4

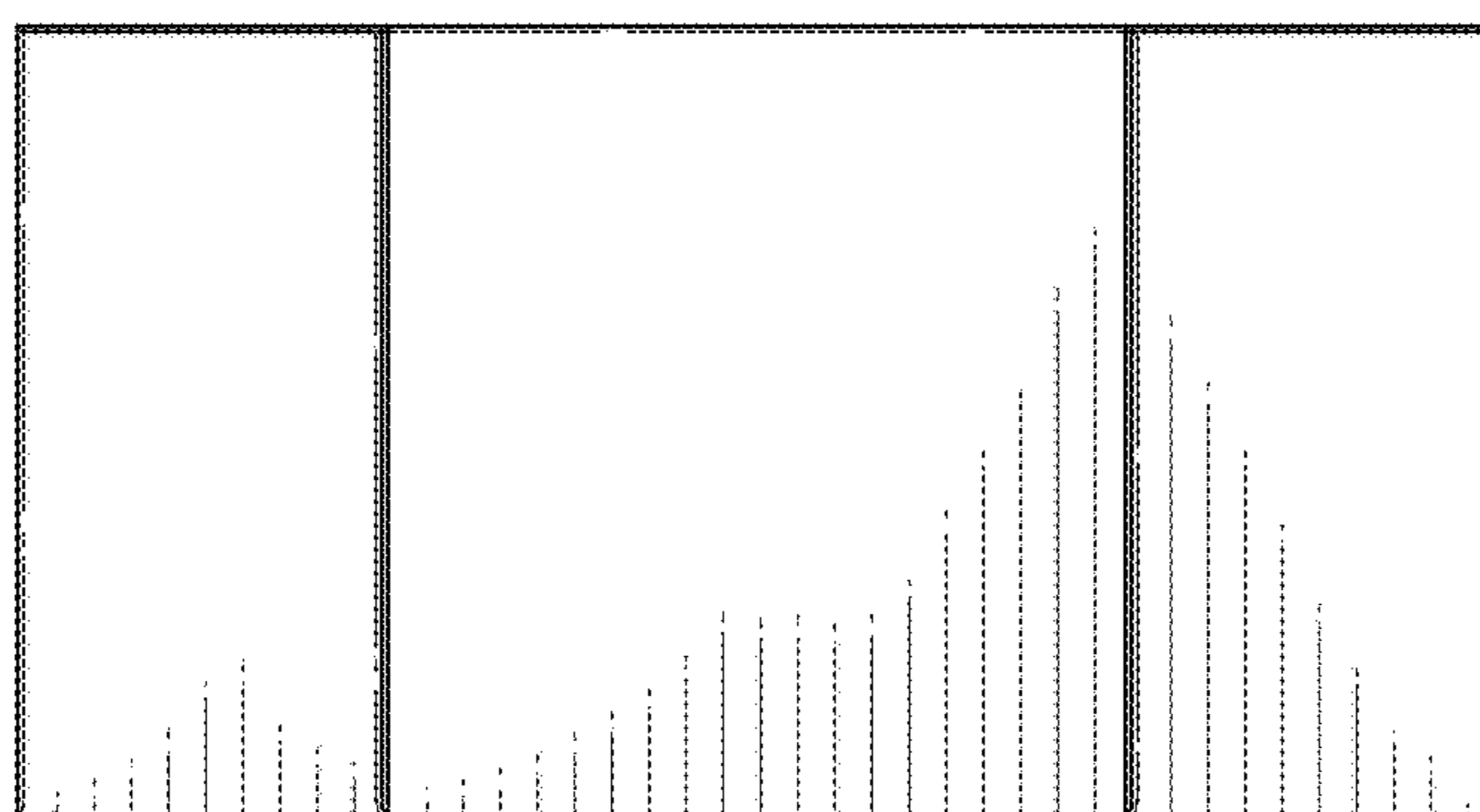


FIG. 5

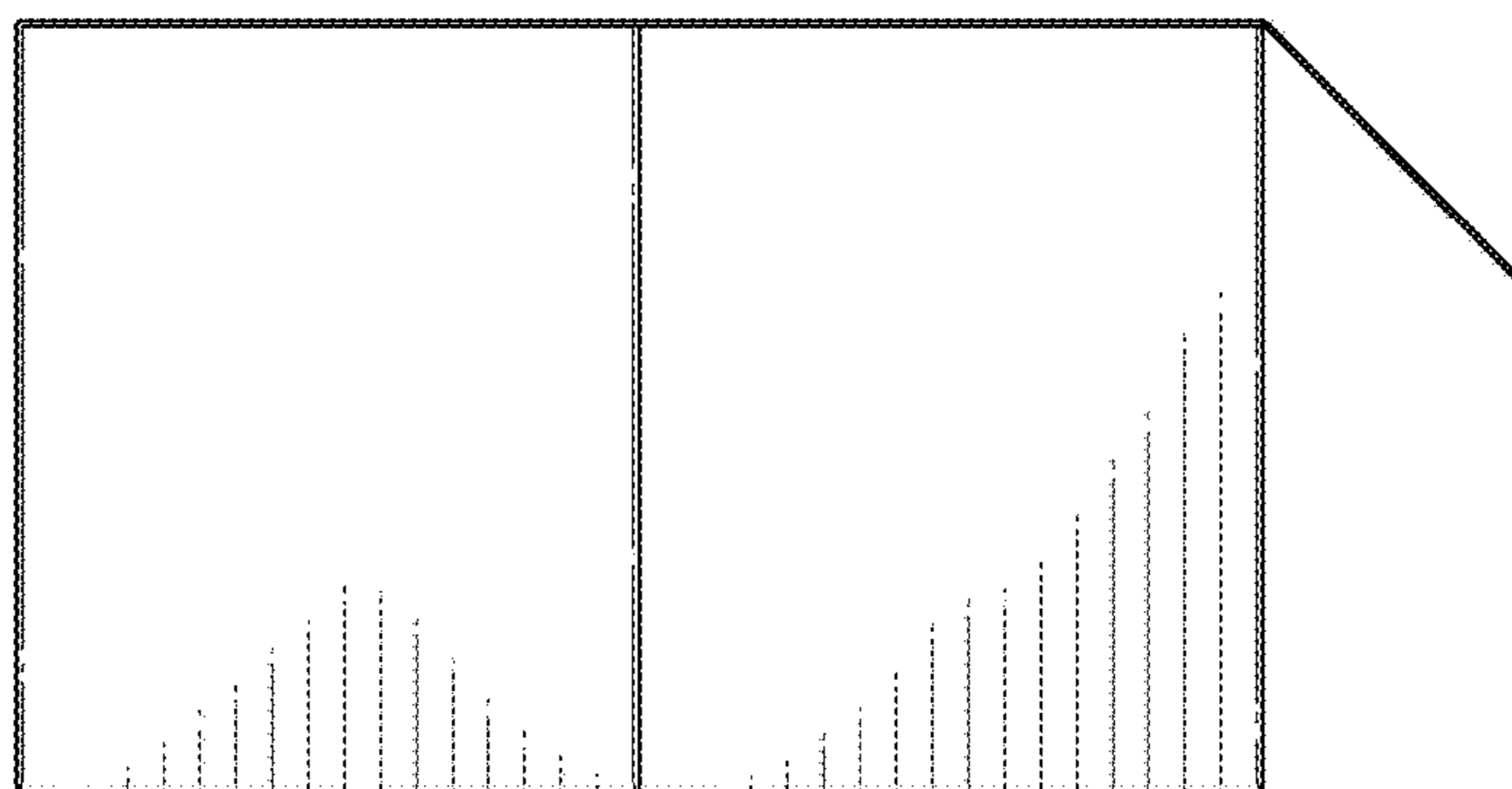


FIG. 6

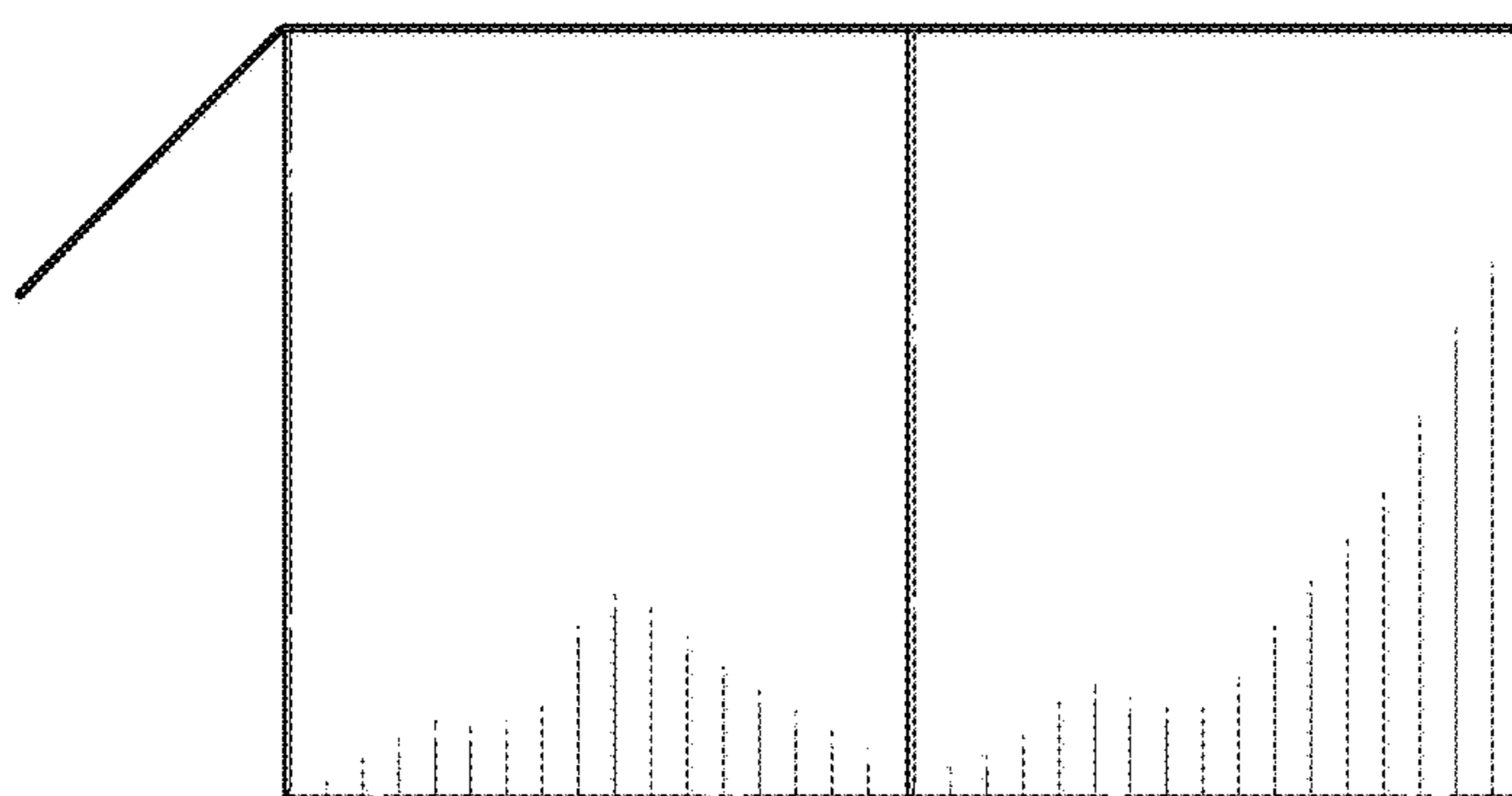


FIG. 7

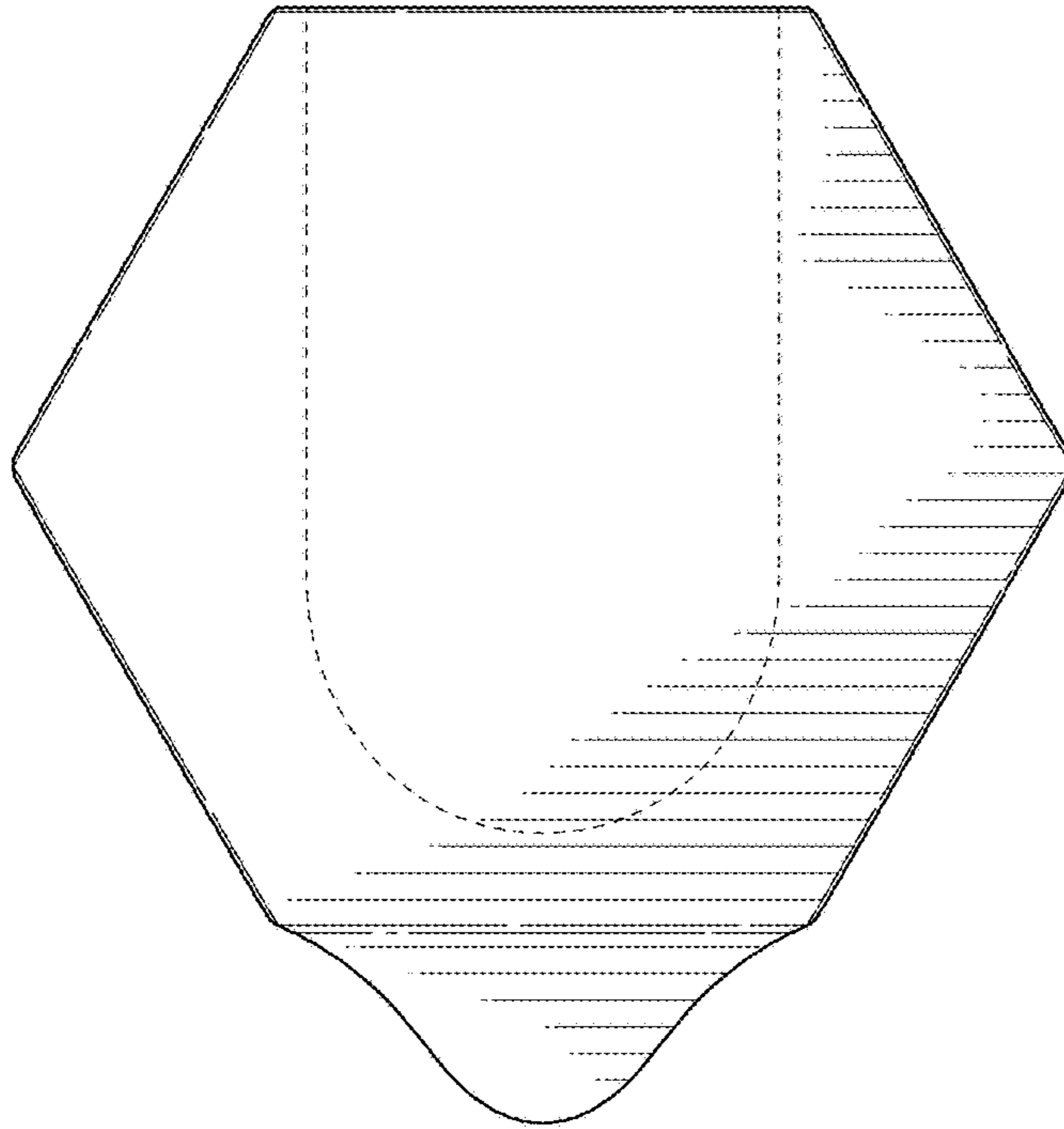


FIG. 8

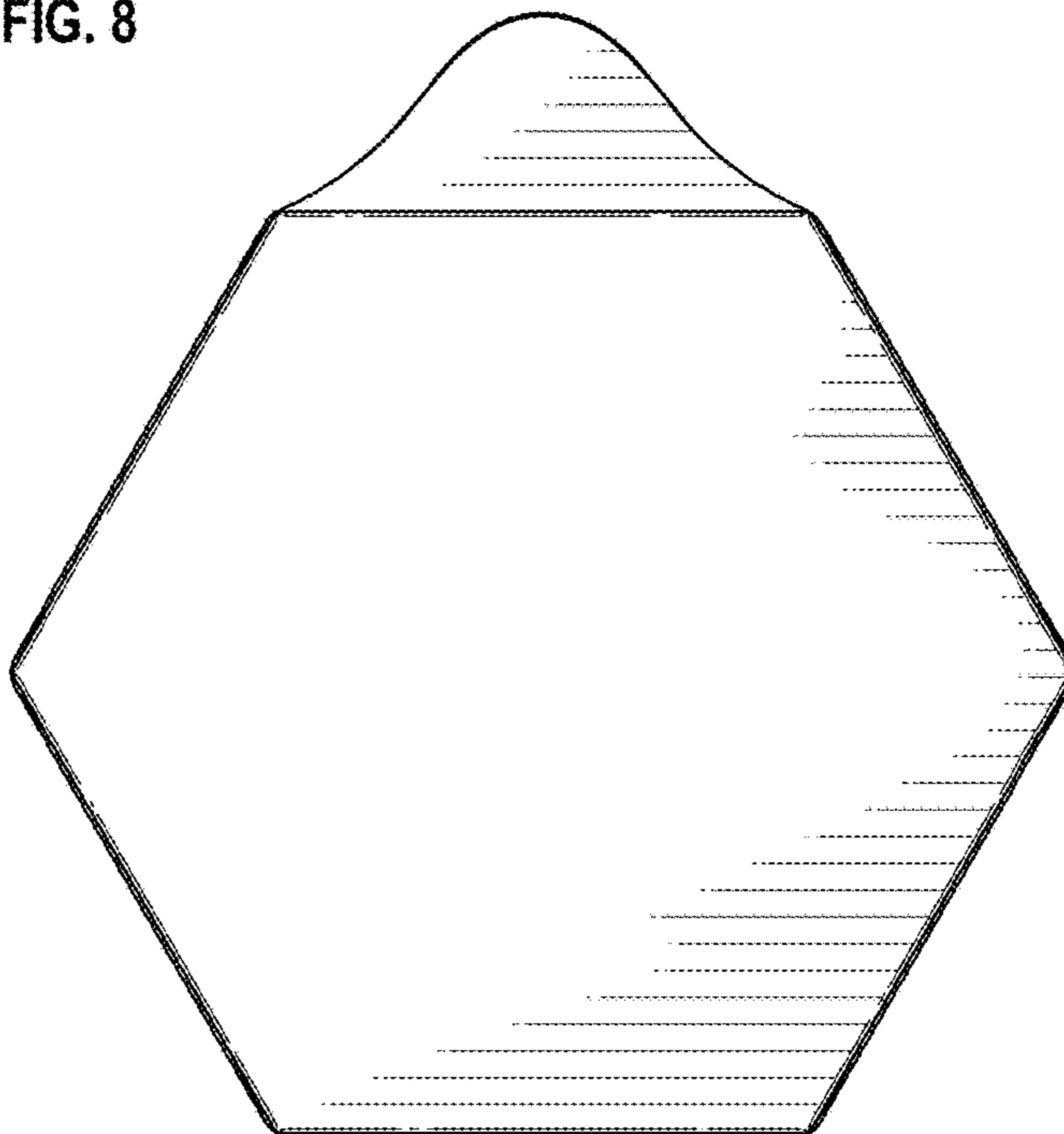


FIG. 9

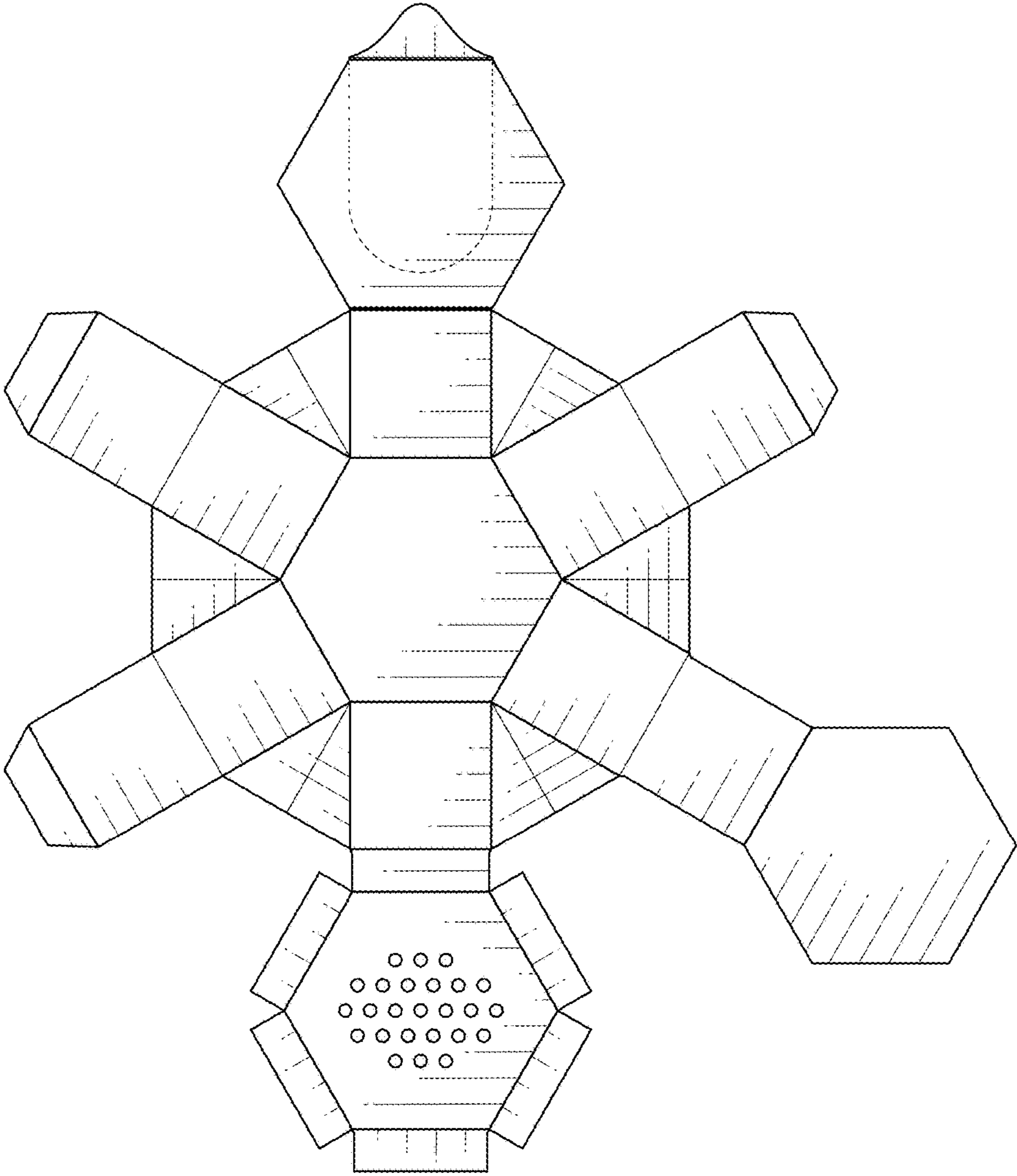


FIG.10

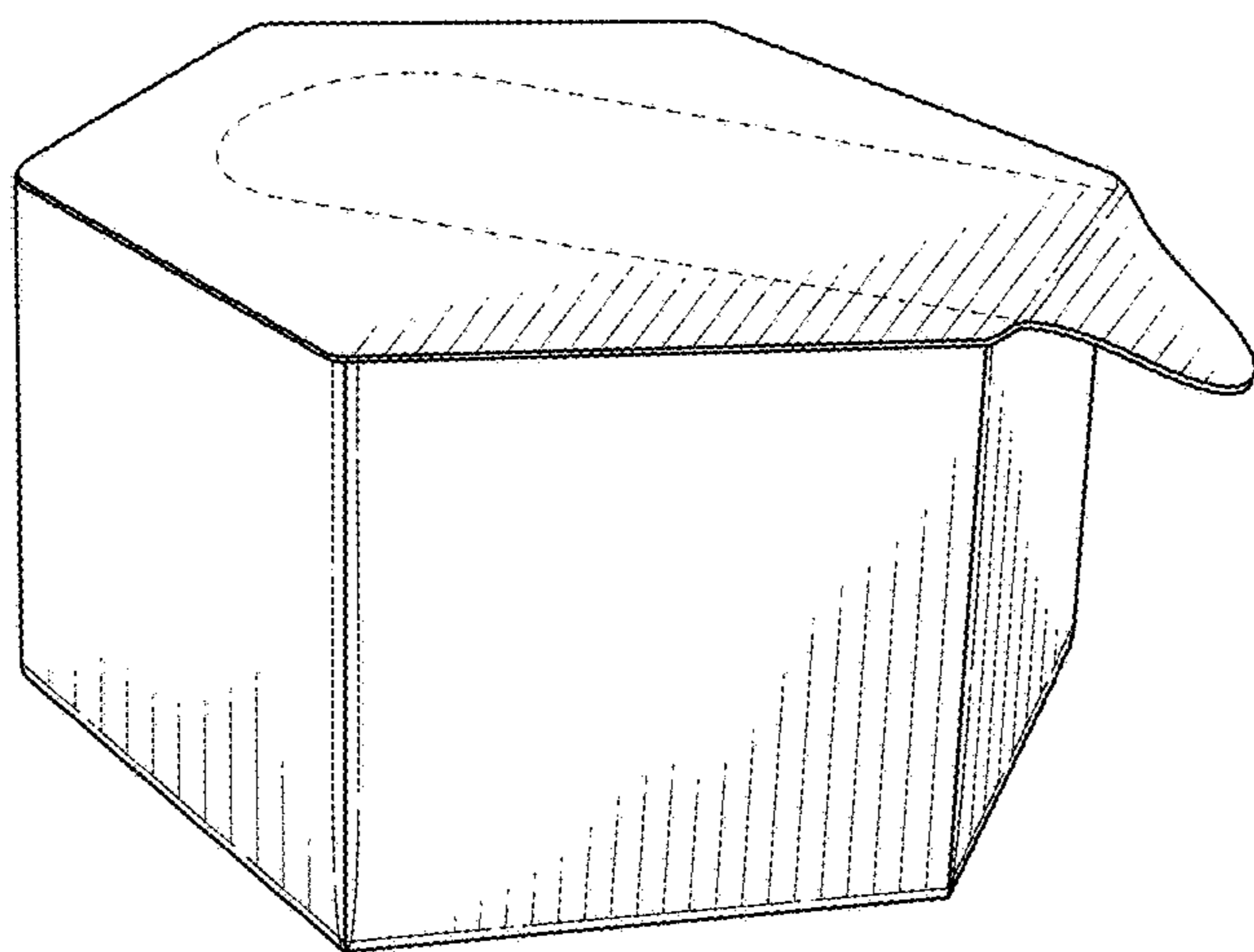


FIG. 11

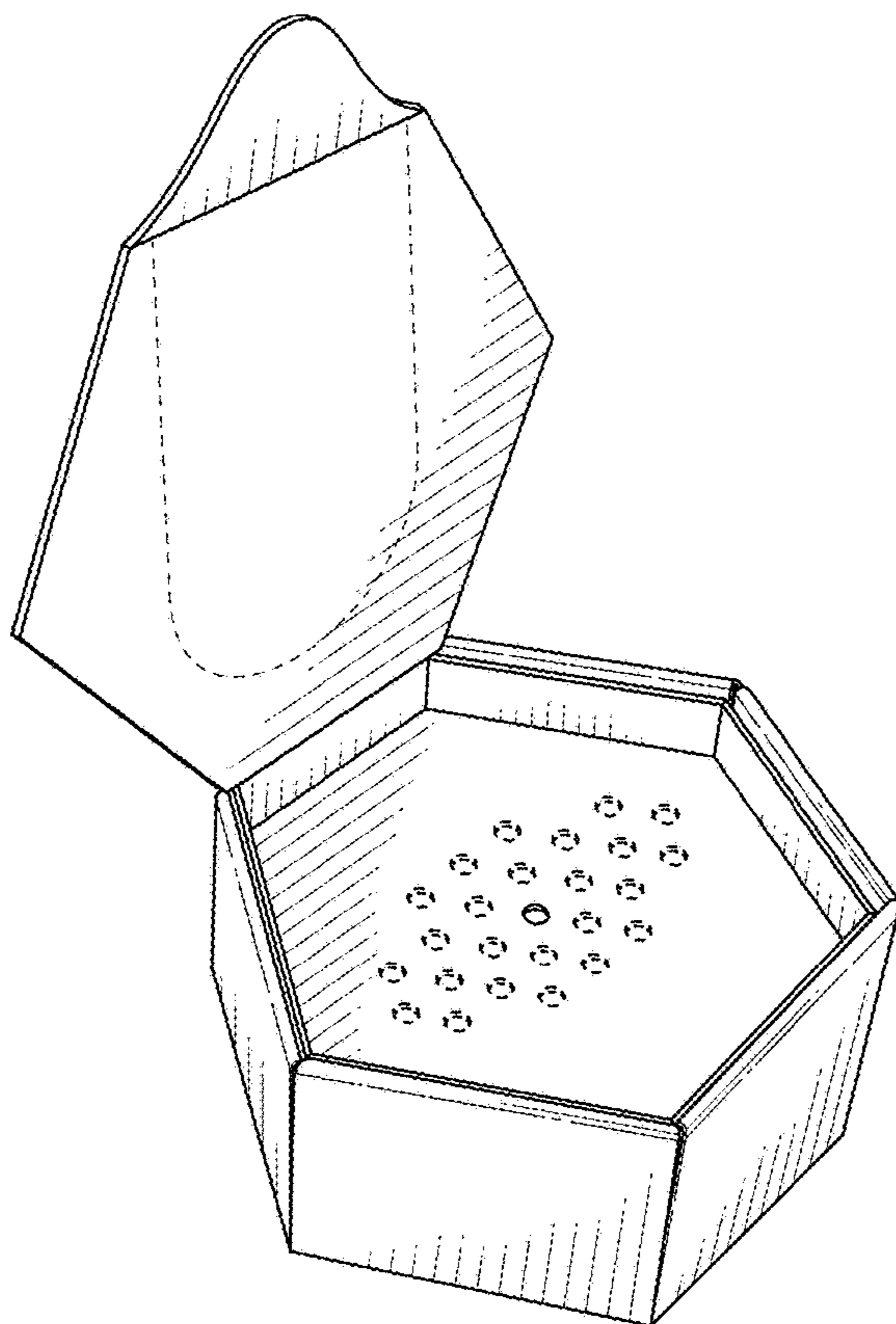


FIG. 12

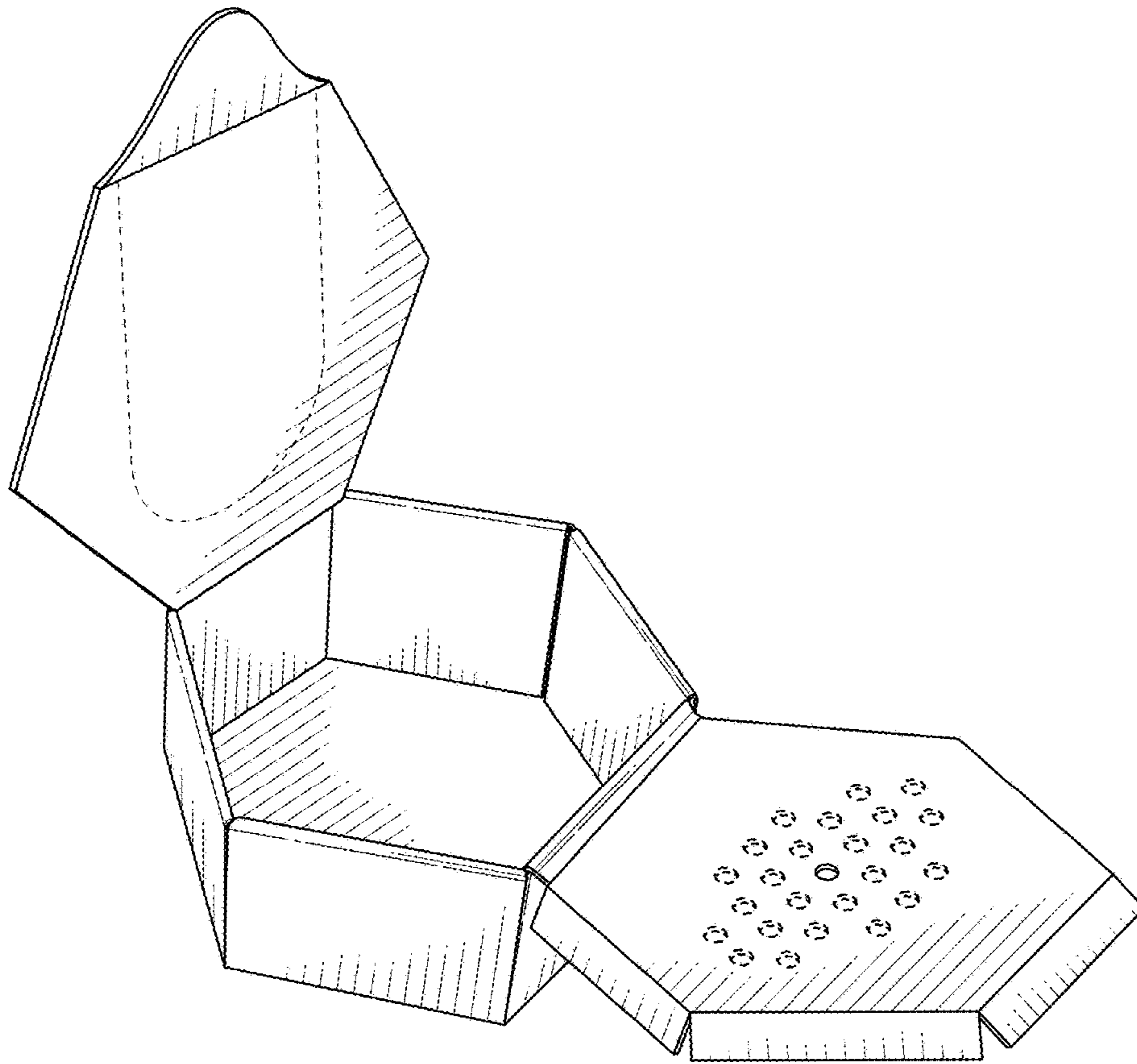


FIG. 13

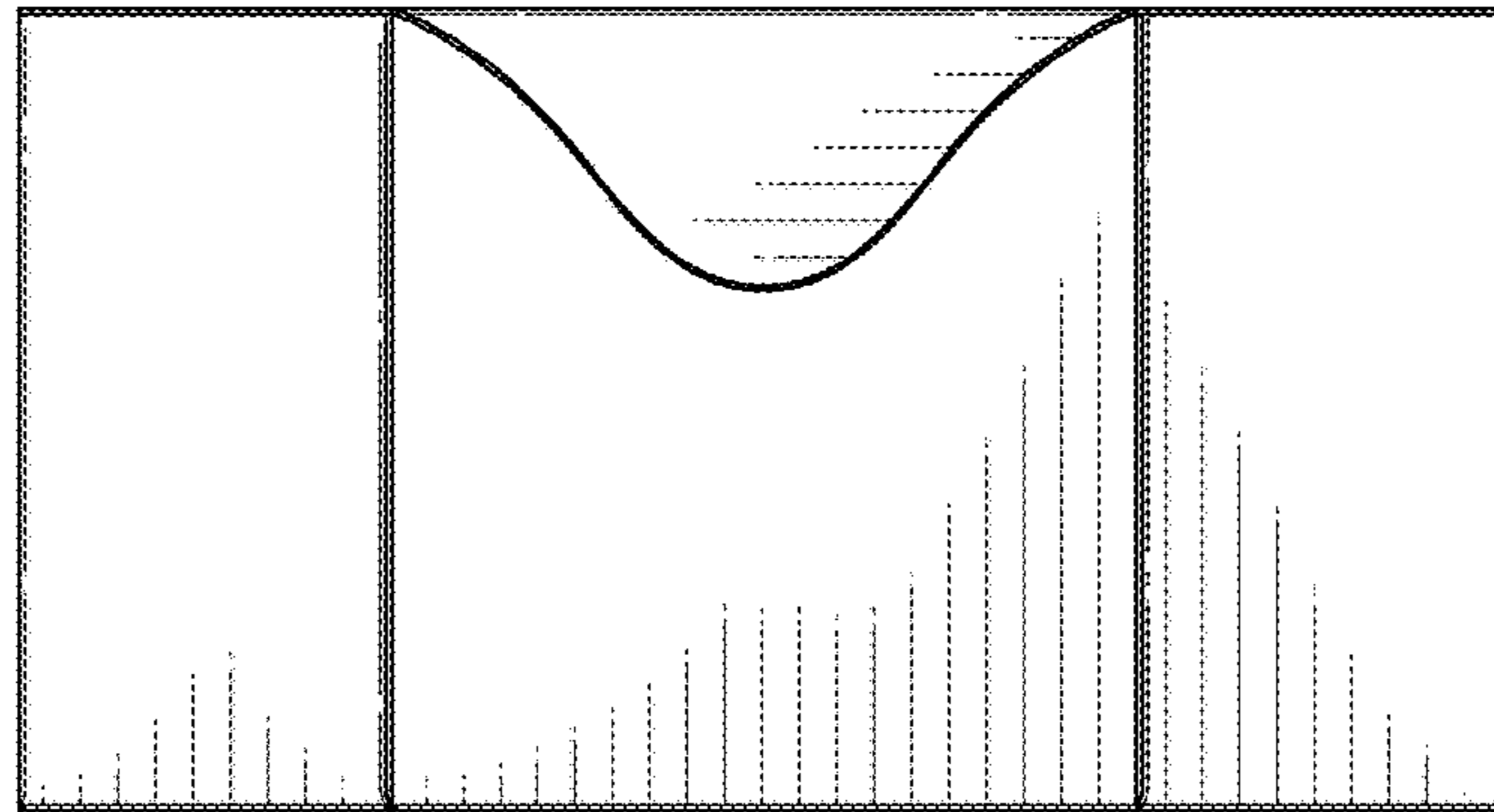


FIG. 14

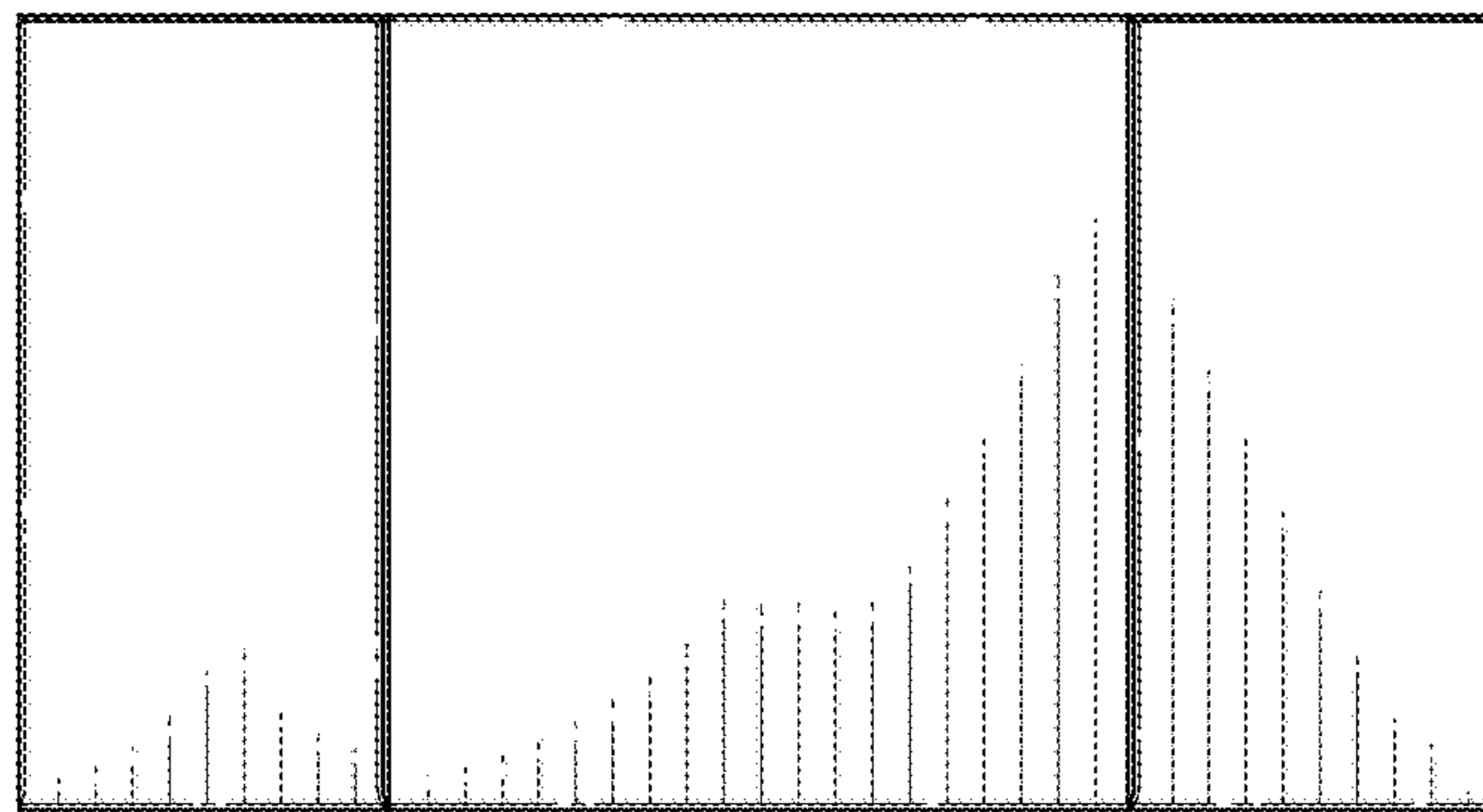


FIG. 15

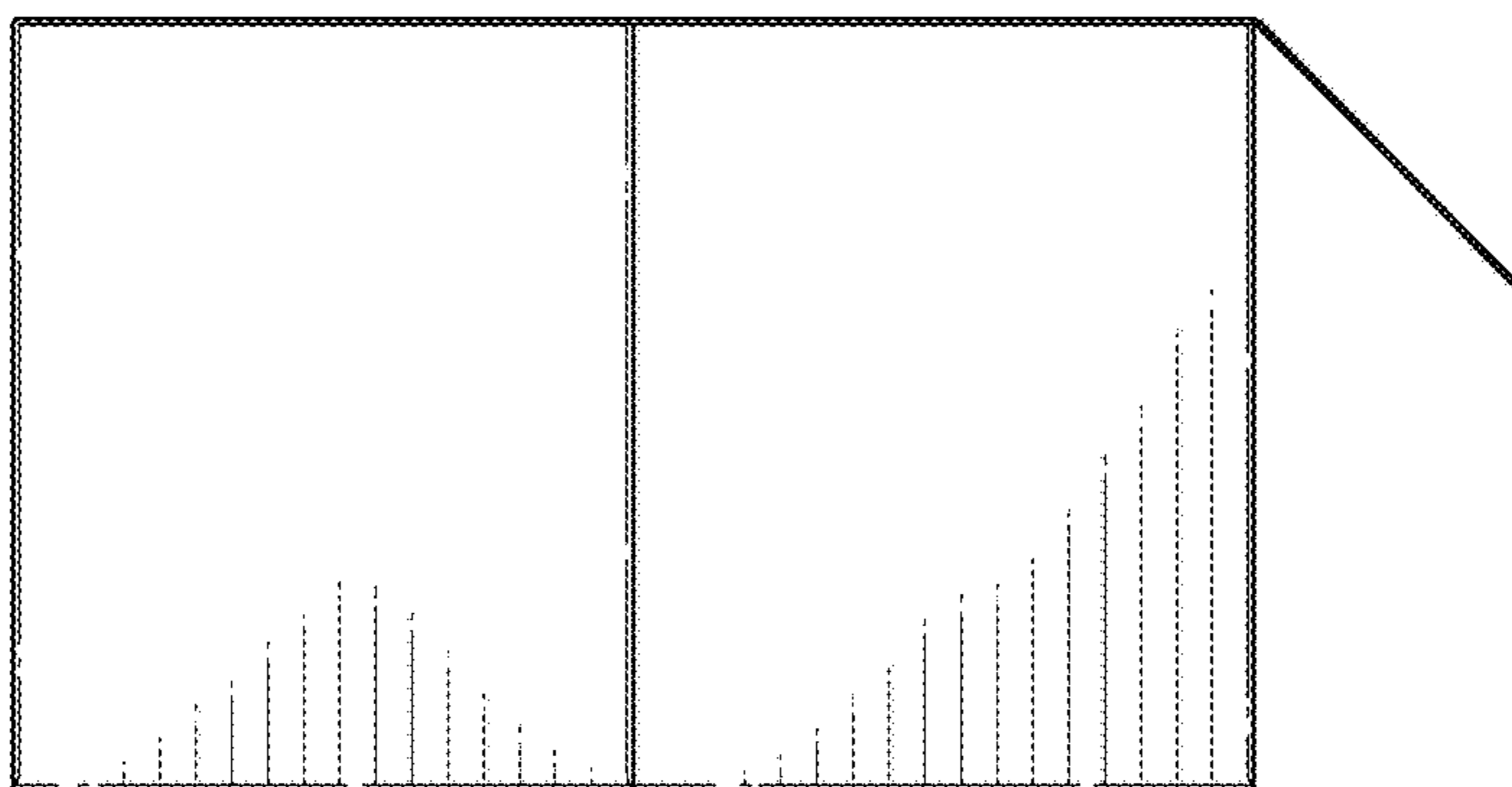


FIG. 16

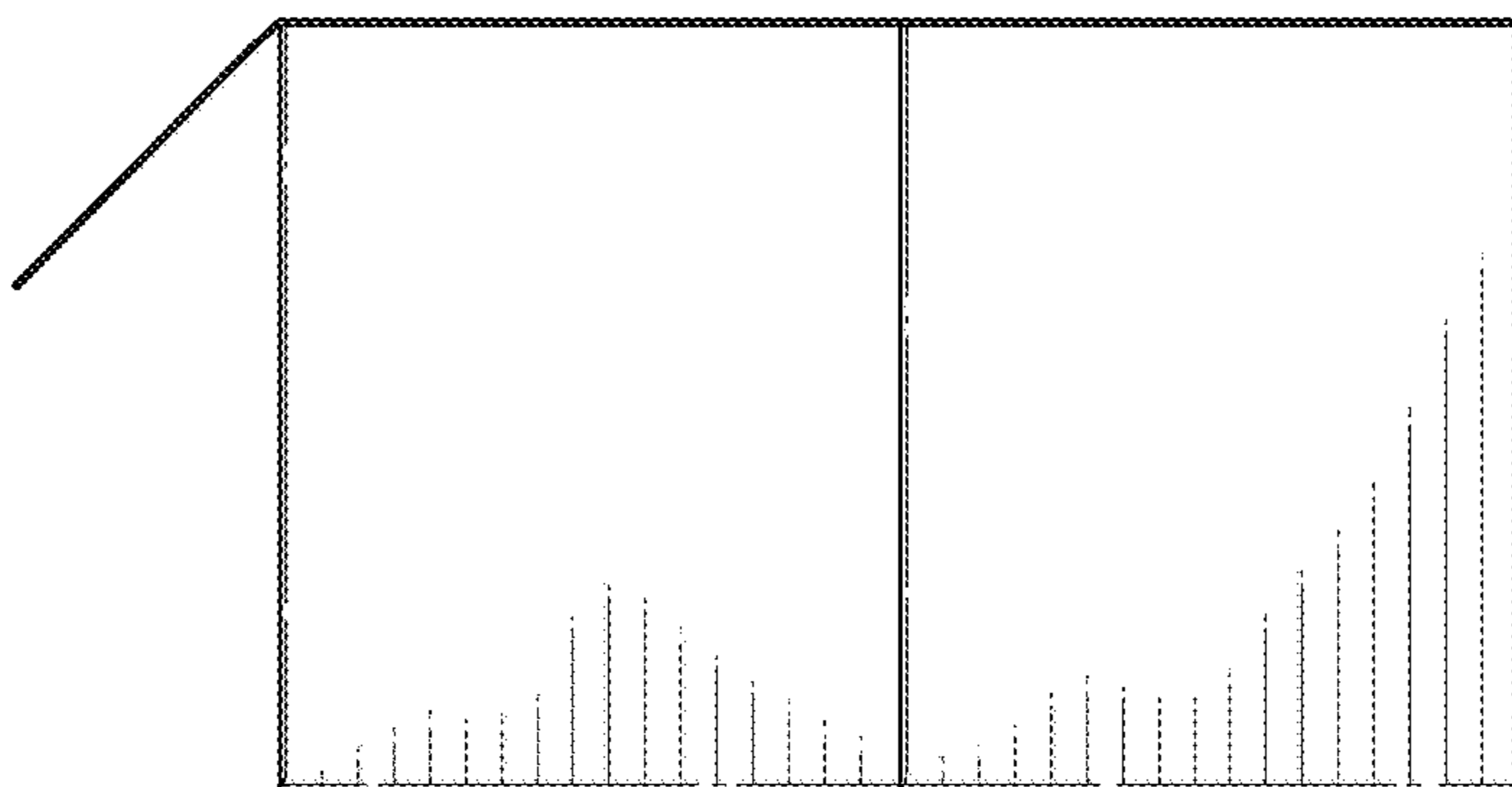


FIG. 17

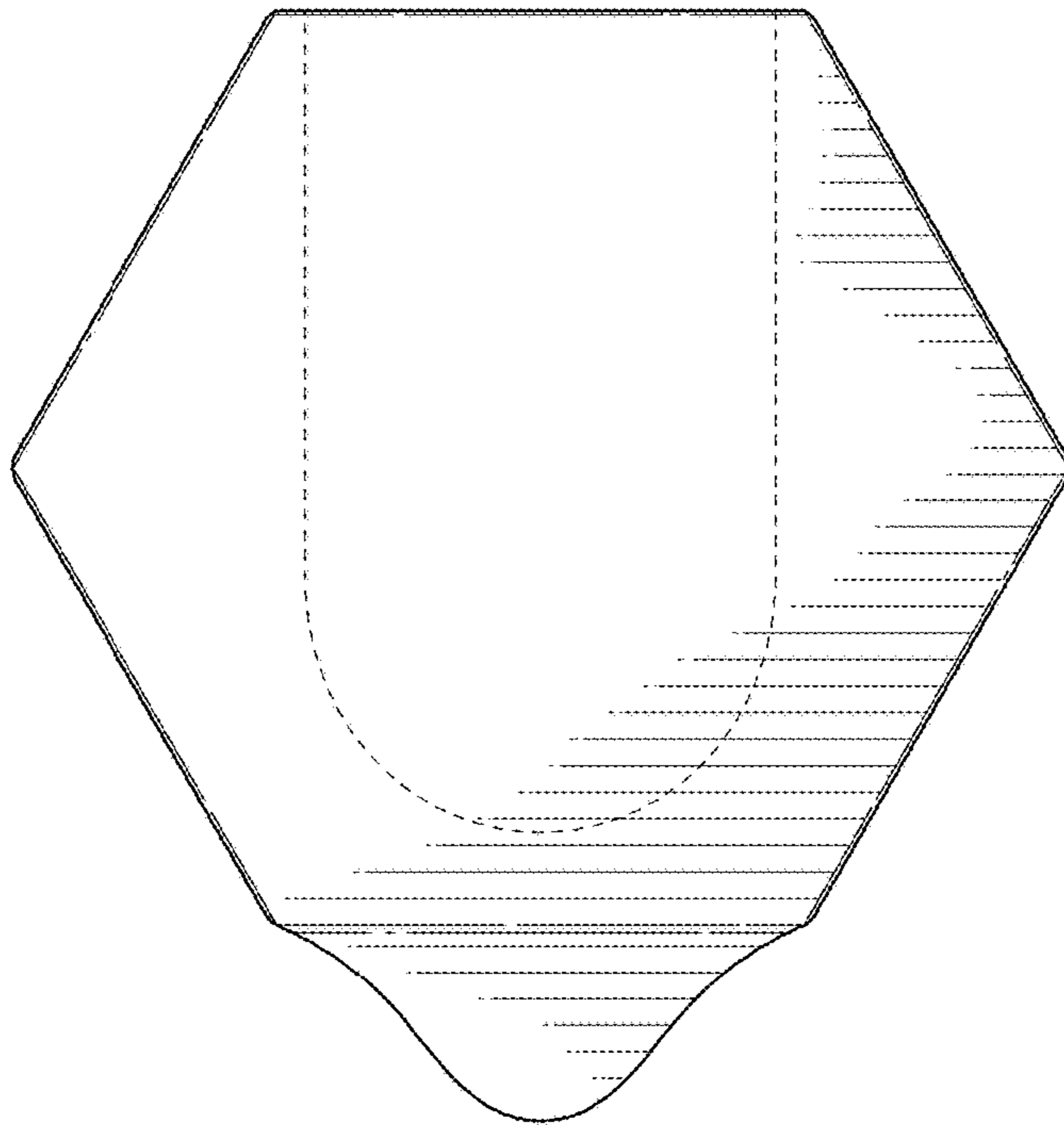


FIG. 18

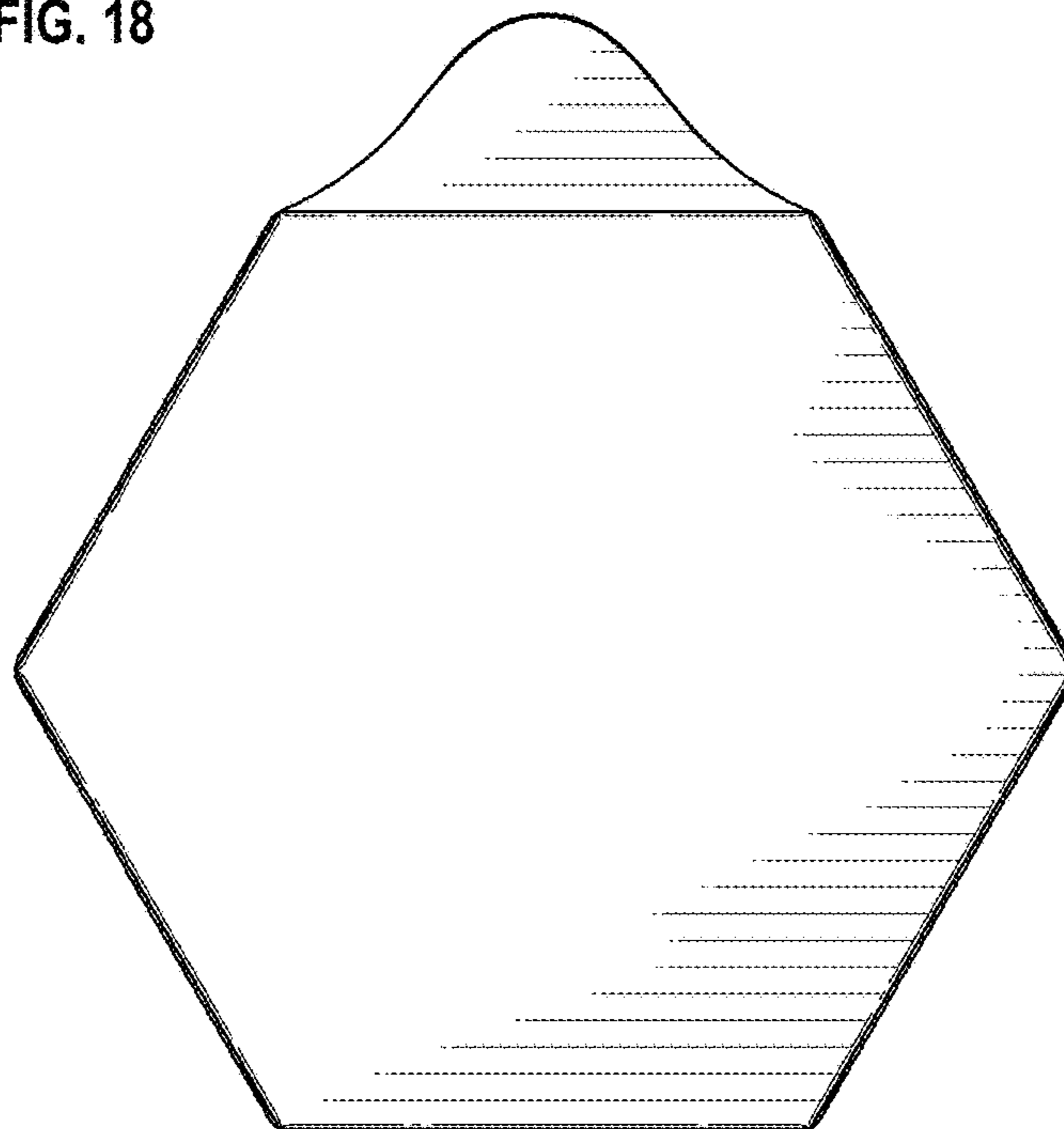


FIG. 19

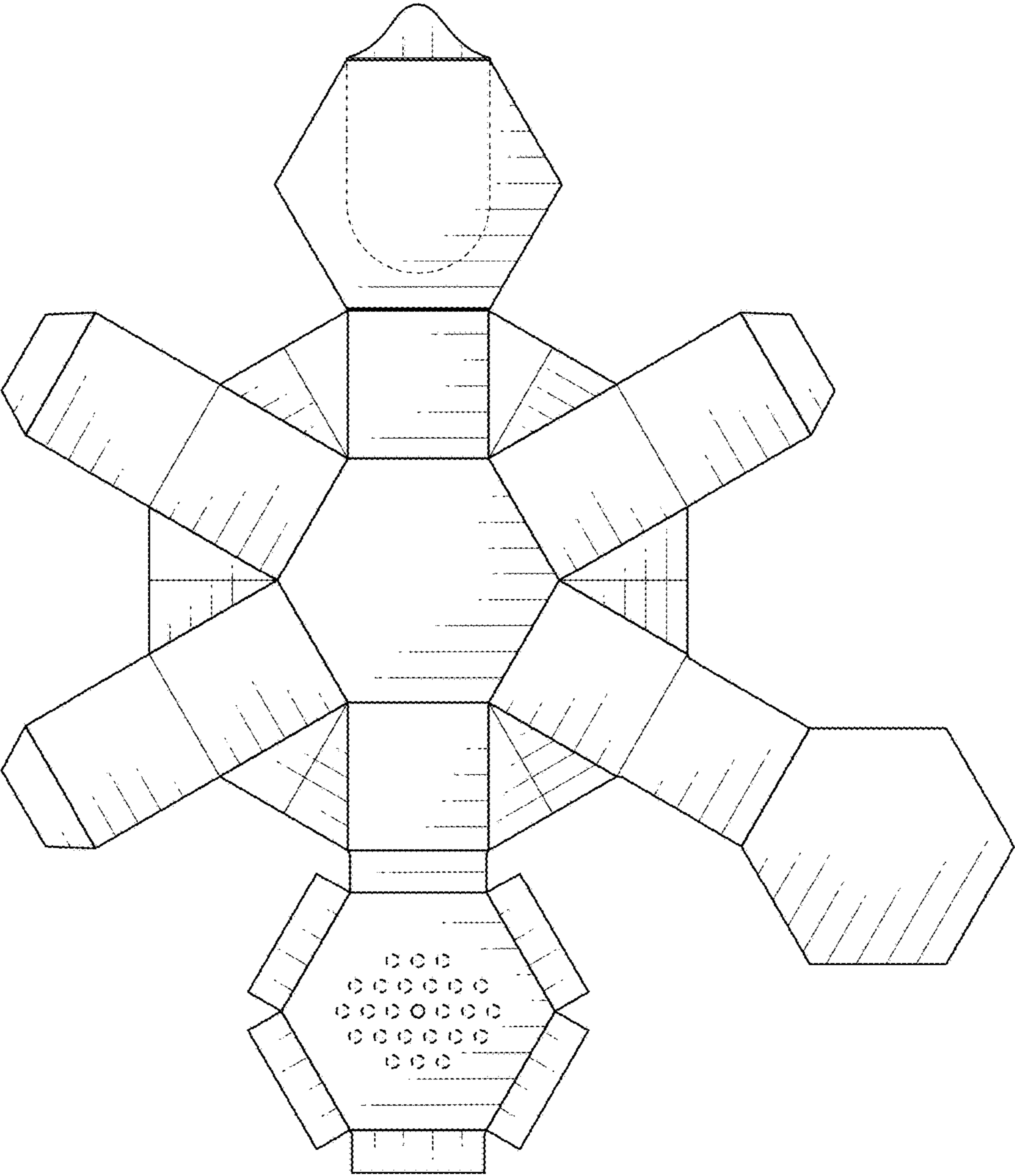


FIG. 20