



US00D857493S

(12) **United States Design Patent** (10) **Patent No.:** **US D857,493 S**  
**Dominion et al.** (45) **Date of Patent:** **\*\* Aug. 27, 2019**

(54) **CONTAINER**

(71) Applicant: **D6 Inc.**, Portland, OR (US)  
(72) Inventors: **Ed Dominion**, Portland, OR (US);  
**Martin Troutt**, Wood Village, OR (US); **Ben McGregor**, Portland, OR (US)

(73) Assignee: **D6 Inc.**, Portland, OR (US)

(\*\*) Term: **15 Years**

(21) Appl. No.: **29/639,616**

(22) Filed: **Mar. 7, 2018**

(51) **LOC (12) Cl.** ..... **09-03**

(52) **U.S. Cl.**  
USPC ..... **D9/425**

(58) **Field of Classification Search**  
USPC ..... D7/400, 601, 608; D9/416, 417, 420,  
D9/425-429, 430, 432, 761; 206/499,  
206/501, 502, 821; 220/625, 656, 669,  
220/670, 674; 229/123.1, 123.2, 125.33,  
229/125.35, 400-407, 915, 939  
CPC . B65D 1/26; B65D 1/40; B65D 5/243; B65D  
81/3453; B65D 2581/34; B65D  
2581/3404; B65D 2581/3456  
See application file for complete search history.

(56) **References Cited**

**U.S. PATENT DOCUMENTS**

D414,413 S *	9/1999	Brown	.....	D9/425
D511,437 S *	11/2005	Brown	.....	D7/566
D539,137 S *	3/2007	Lin	.....	D9/429
D543,787 S *	6/2007	Wasserman	.....	D7/565
D545,627 S *	7/2007	Chatterton	.....	D7/538
D673,849 S *	1/2013	Barbier	.....	D9/429
D705,051 S *	5/2014	Cassens	.....	D9/424
2010/0147848 A1 *	6/2010	Rider, Jr.	.....	B65D 43/021 220/203.09

**OTHER PUBLICATIONS**

U.S. Appl. No. 29/642,530, filed Mar. 30, 2018, 20 pages.  
U.S. Appl. No. 29/639,610, filed Mar. 7, 2018, 22 pages.  
U.S. Appl. No. 29/639,610, filed Mar. 12, 2018, 3 pages.  
U.S. Appl. No. 29/639,567, filed Mar. 7, 2018, 22 pages.  
U.S. Appl. No. 29/639,567, filed Mar. 9, 2018, 3 pages.

(Continued)

*Primary Examiner* — Derrick E Holland

*Assistant Examiner* — Janice Patyk

(74) *Attorney, Agent, or Firm* — Stoel Rives LLP

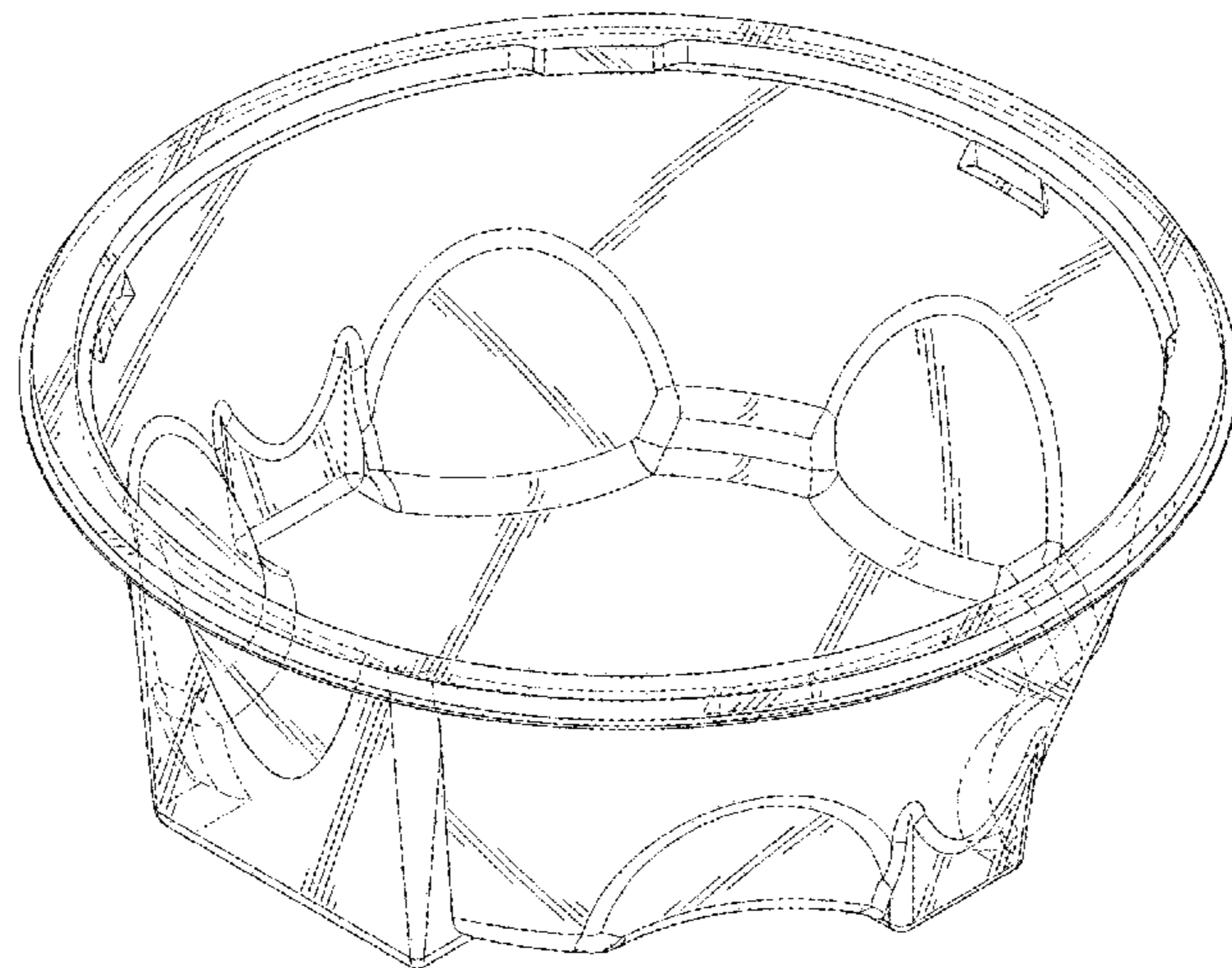
(57) **CLAIM**

The ornamental design for a container, as shown and described.

**DESCRIPTION**

FIG. 1 is a front, top isometric view of a container of our new design;  
FIG. 2 is a front elevational view of the container of FIG. 1;  
FIG. 3 is a rear elevational view of the container of FIG. 1;  
FIG. 4 is a right side elevational view of the container of FIG. 1;  
FIG. 5 is a left side elevational view of the container of FIG. 1;  
FIG. 6 is a top plan view of the container of FIG. 1;  
FIG. 7 is a bottom plan view of the container of FIG. 1;  
FIG. 8 is a front, bottom isometric view of the container of FIG. 1;  
FIG. 9 is a front, top isometric view of the container, shown in environmental use; and,  
FIG. 10 is an exploded front, top isometric view of the container, shown in environmental use.  
The broken lines in the figures illustrate environmental subject matter that form no part of the claimed design.

**1 Claim, 8 Drawing Sheets**



(56)

**References Cited**

OTHER PUBLICATIONS

U.S. Appl. No. 29/639,574, filed Mar. 7, 2018, 22 pages.

U.S. Appl. No. 29/639,574, filed Mar. 9, 2018, 3 pages.

U.S. Appl. No. 29/639,581, filed Mar. 7, 2018, 22 pages.

U.S. Appl. No. 29/639,581, filed Mar. 9, 2018, 3 pages.

U.S. Appl. No. 29/639,583, filed Mar. 7, 2018, 22 pages.

U.S. Appl. No. 29/639,583, filed Mar. 9, 2018, 3 pages.

\* cited by examiner

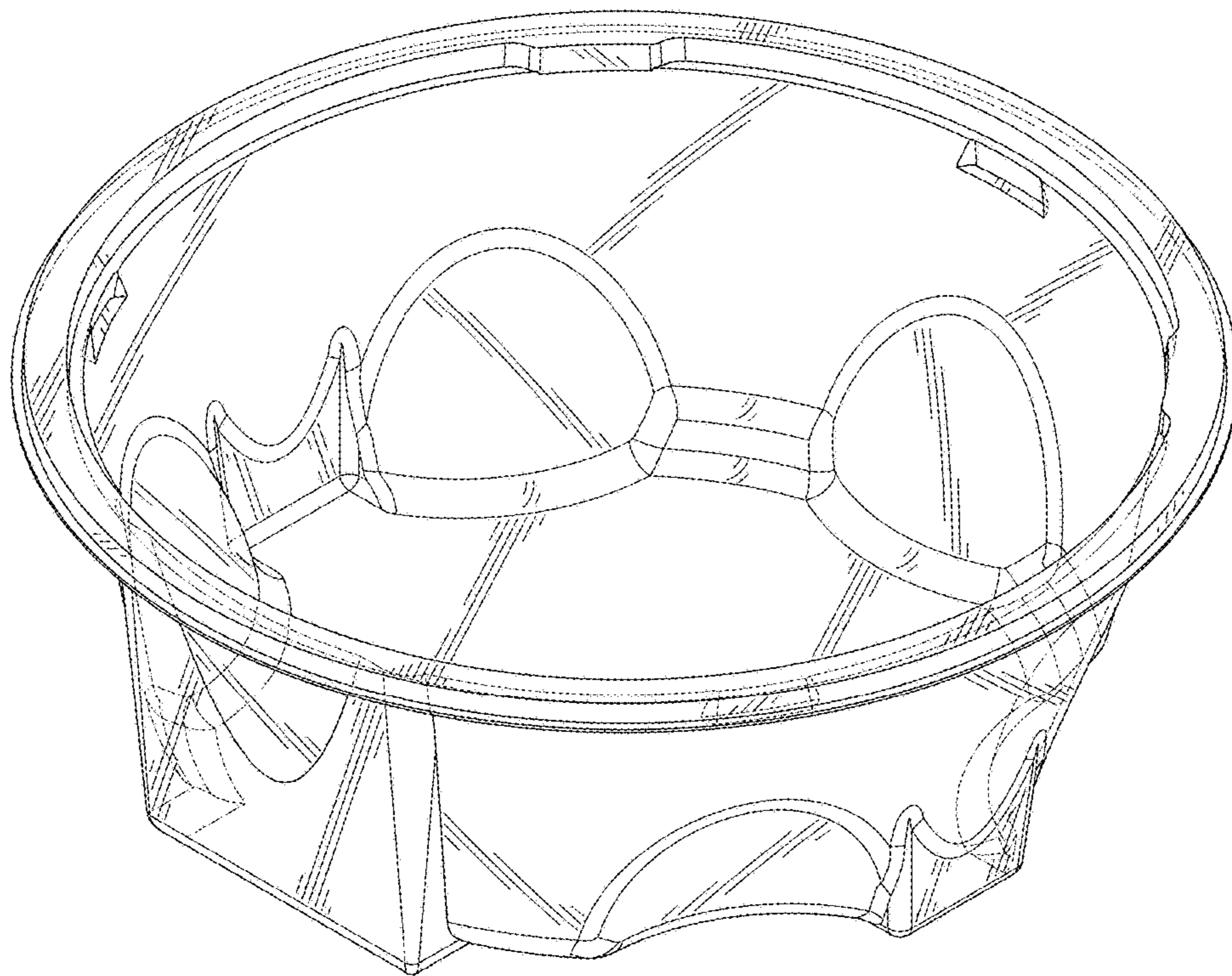


FIG. 1

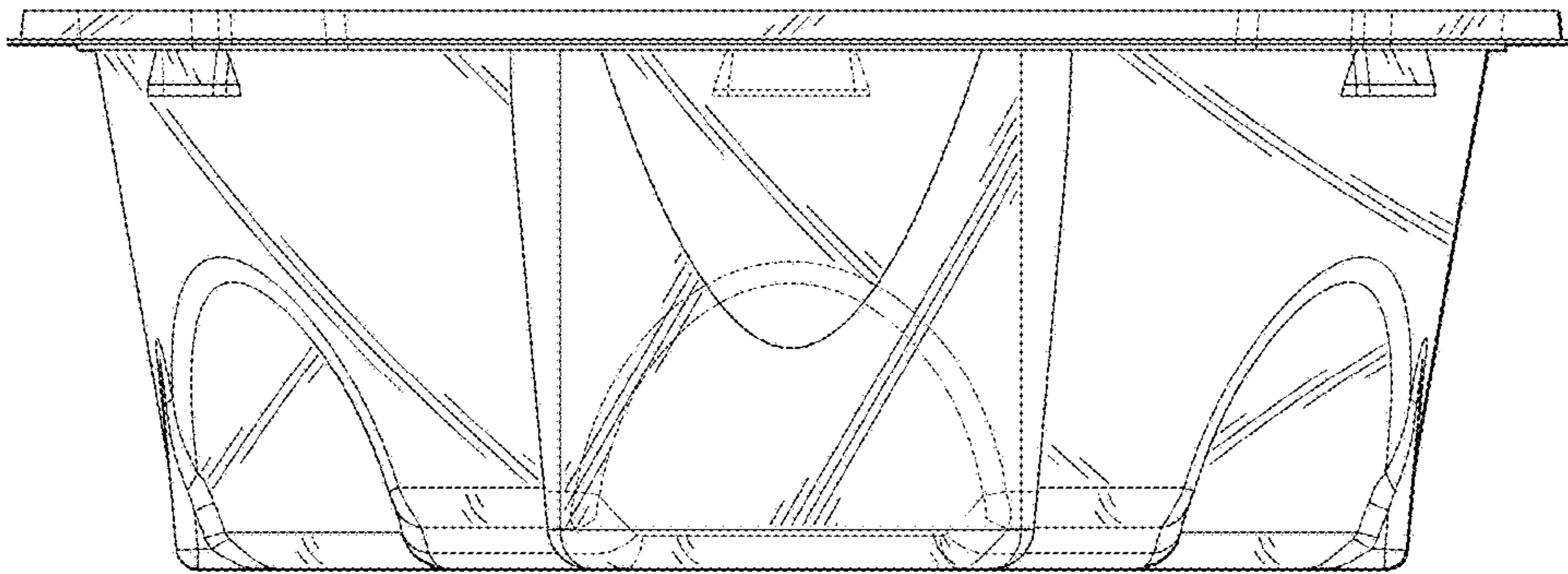


FIG. 2

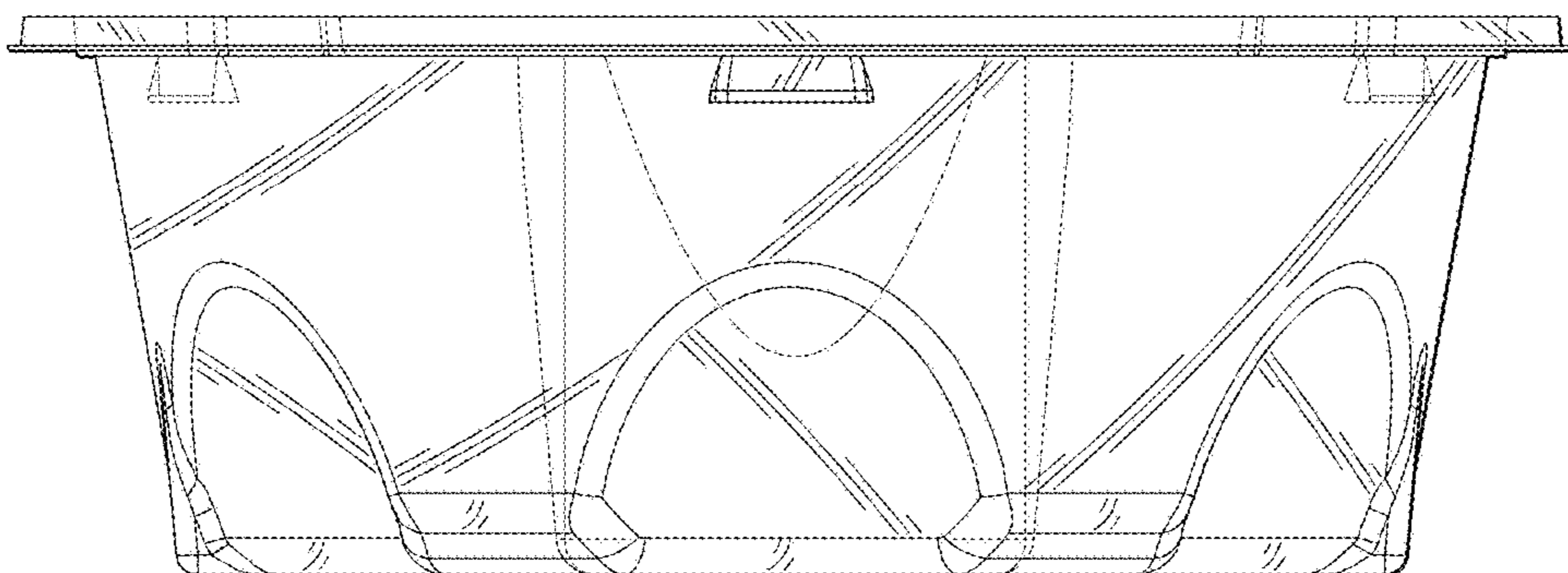


FIG. 3

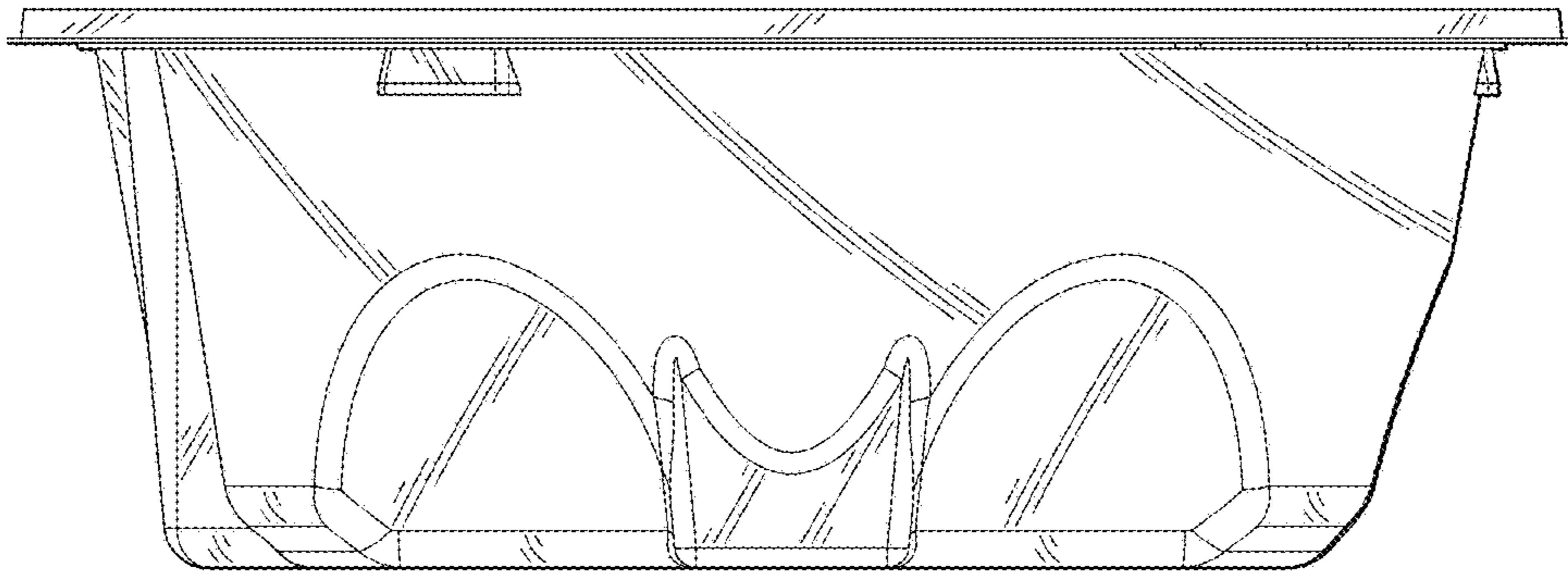


FIG. 4

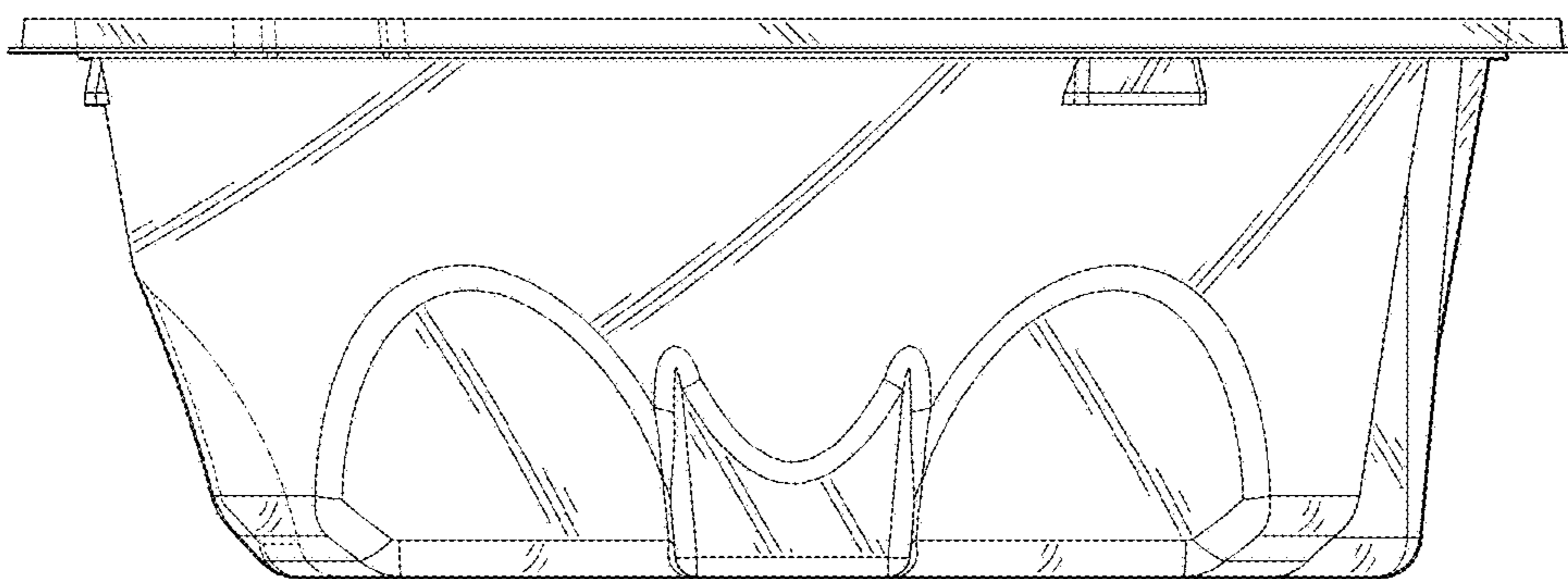


FIG. 5

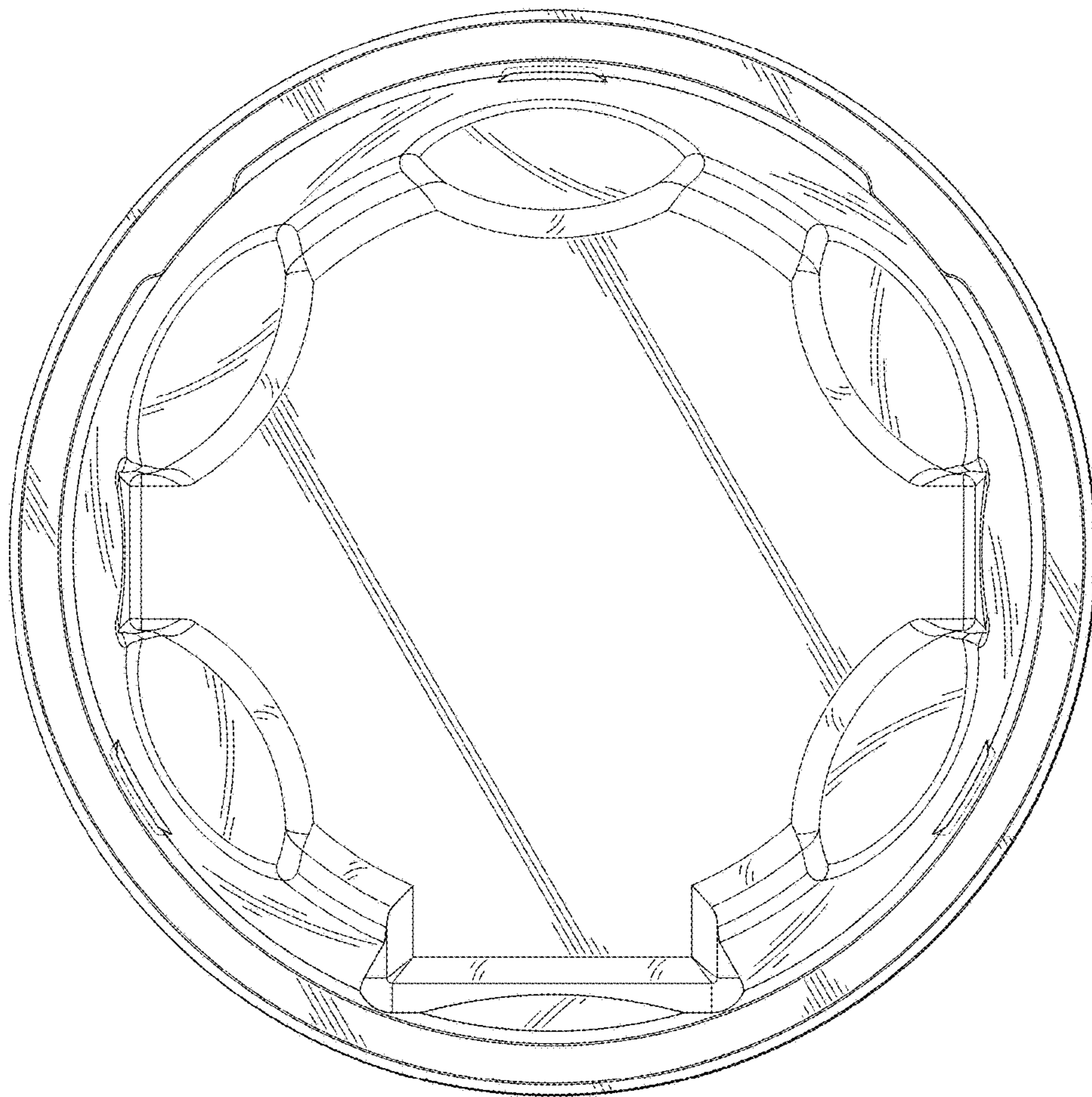


FIG. 6

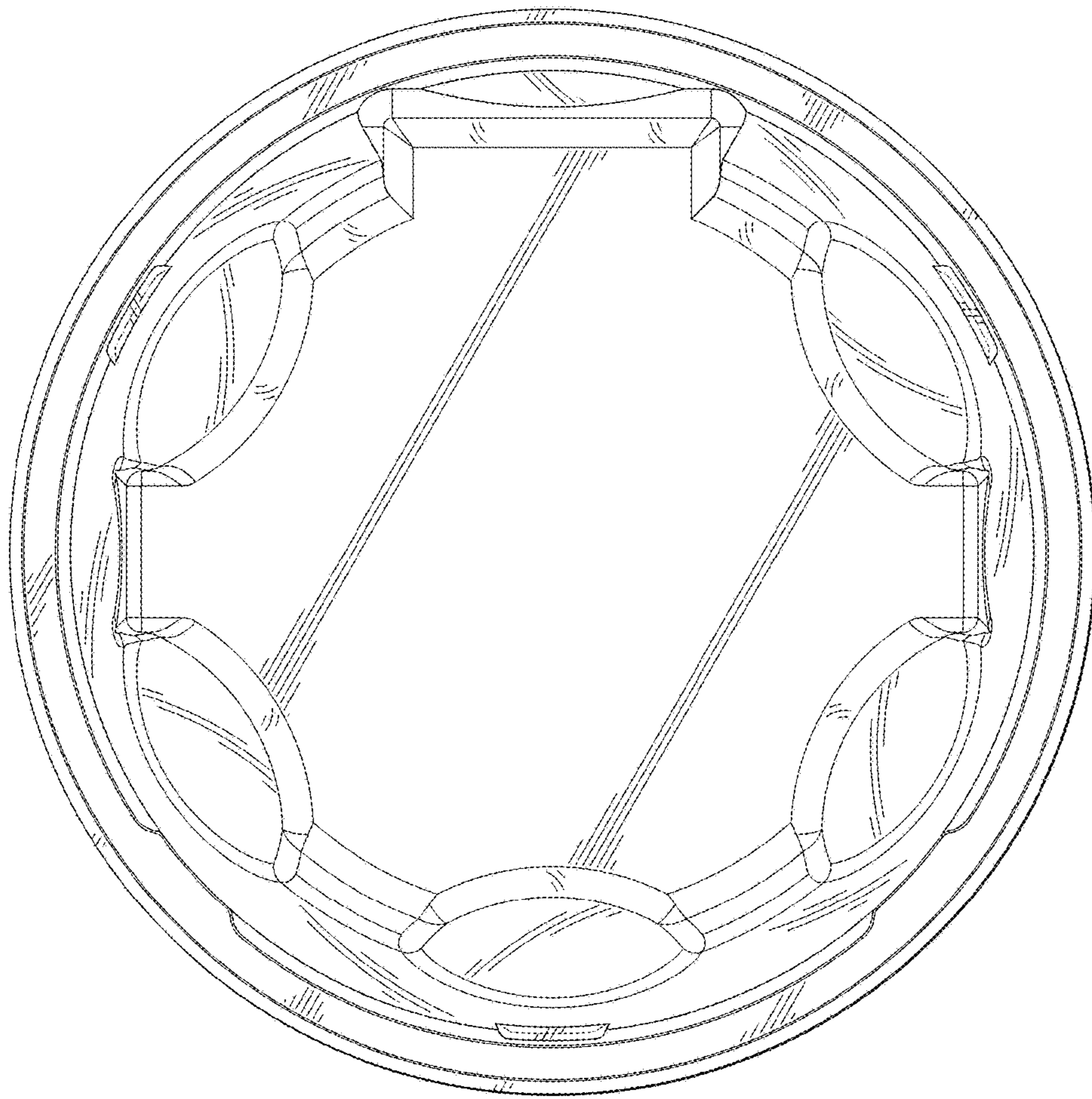


FIG. 7

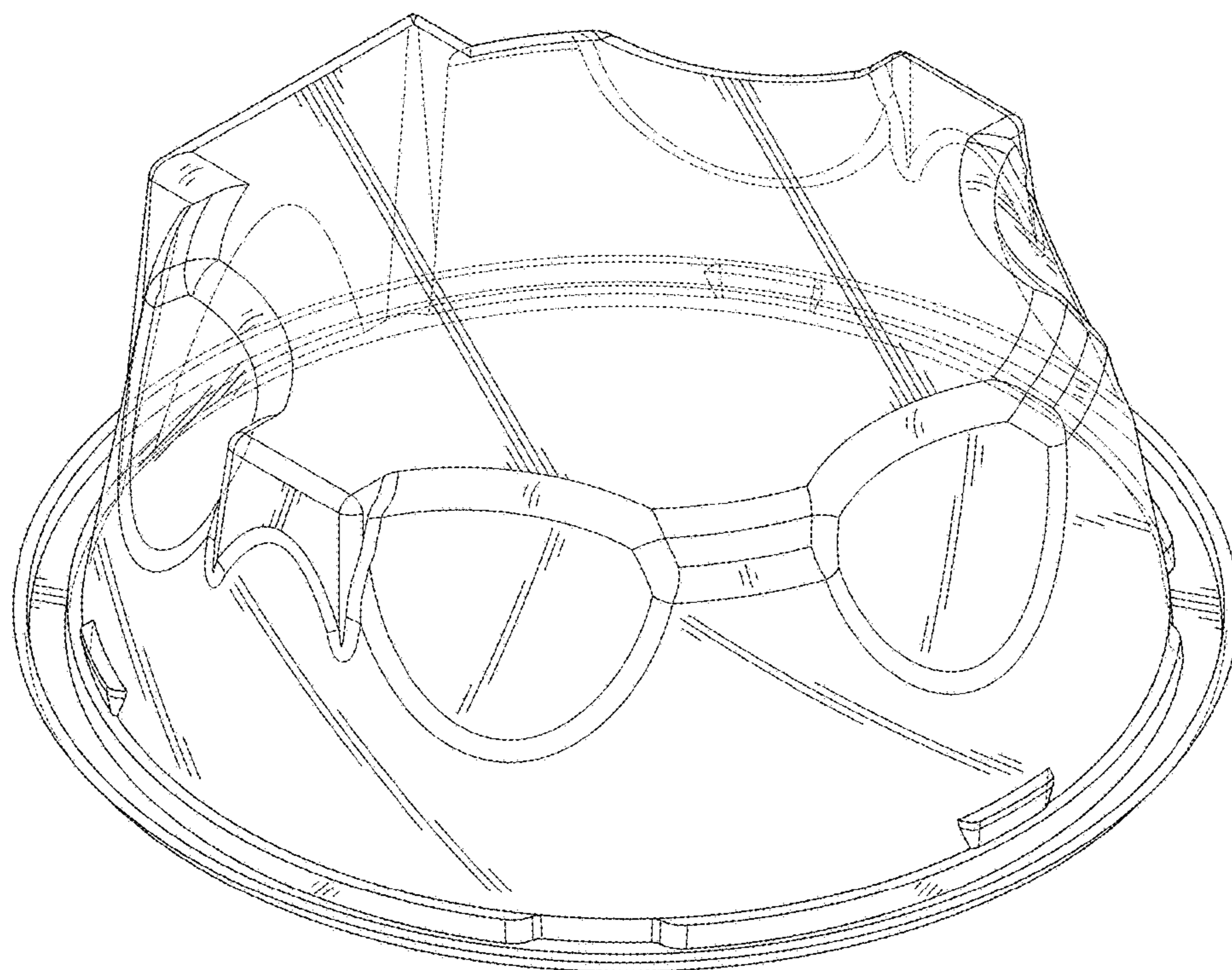


FIG. 8



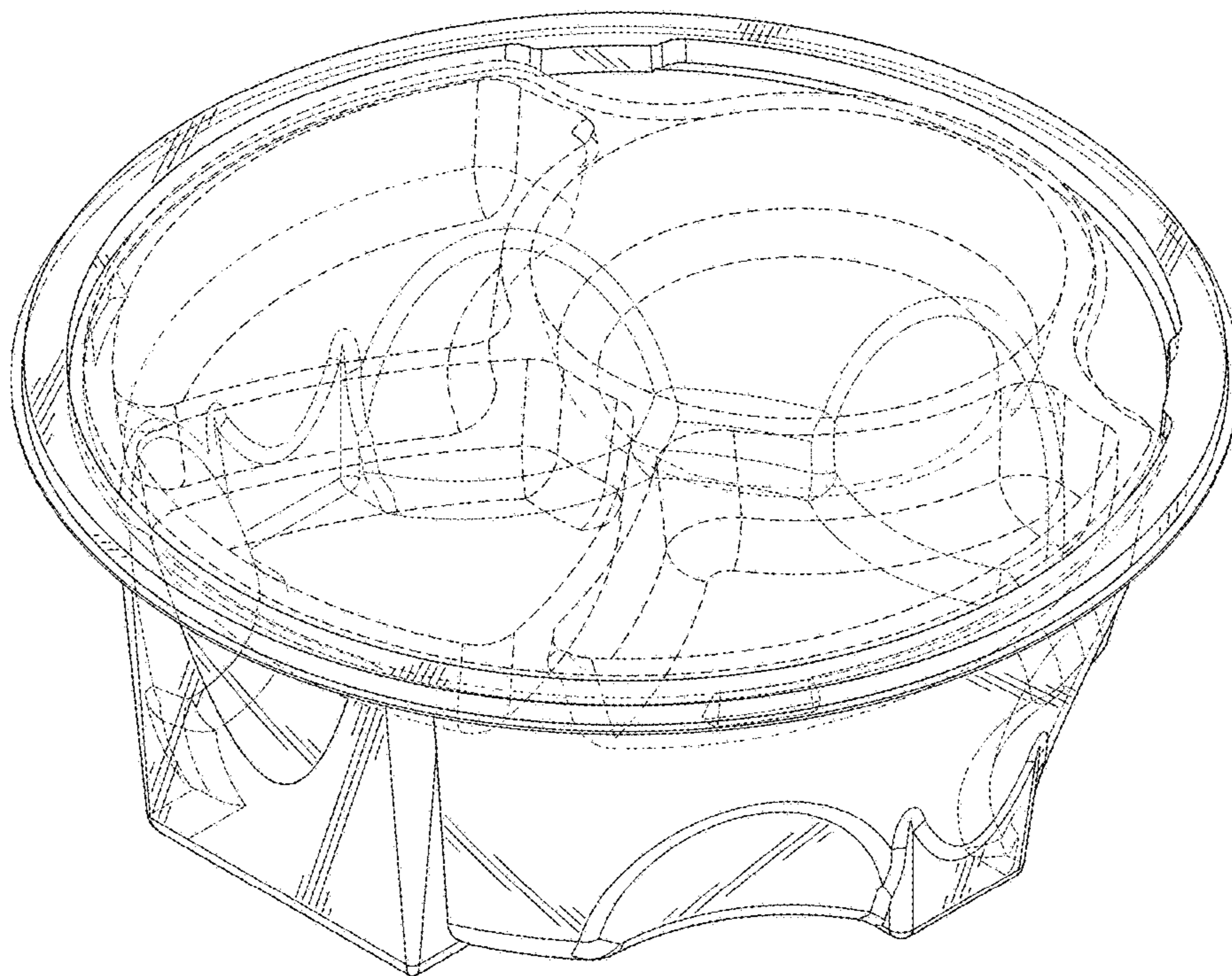


FIG. 9

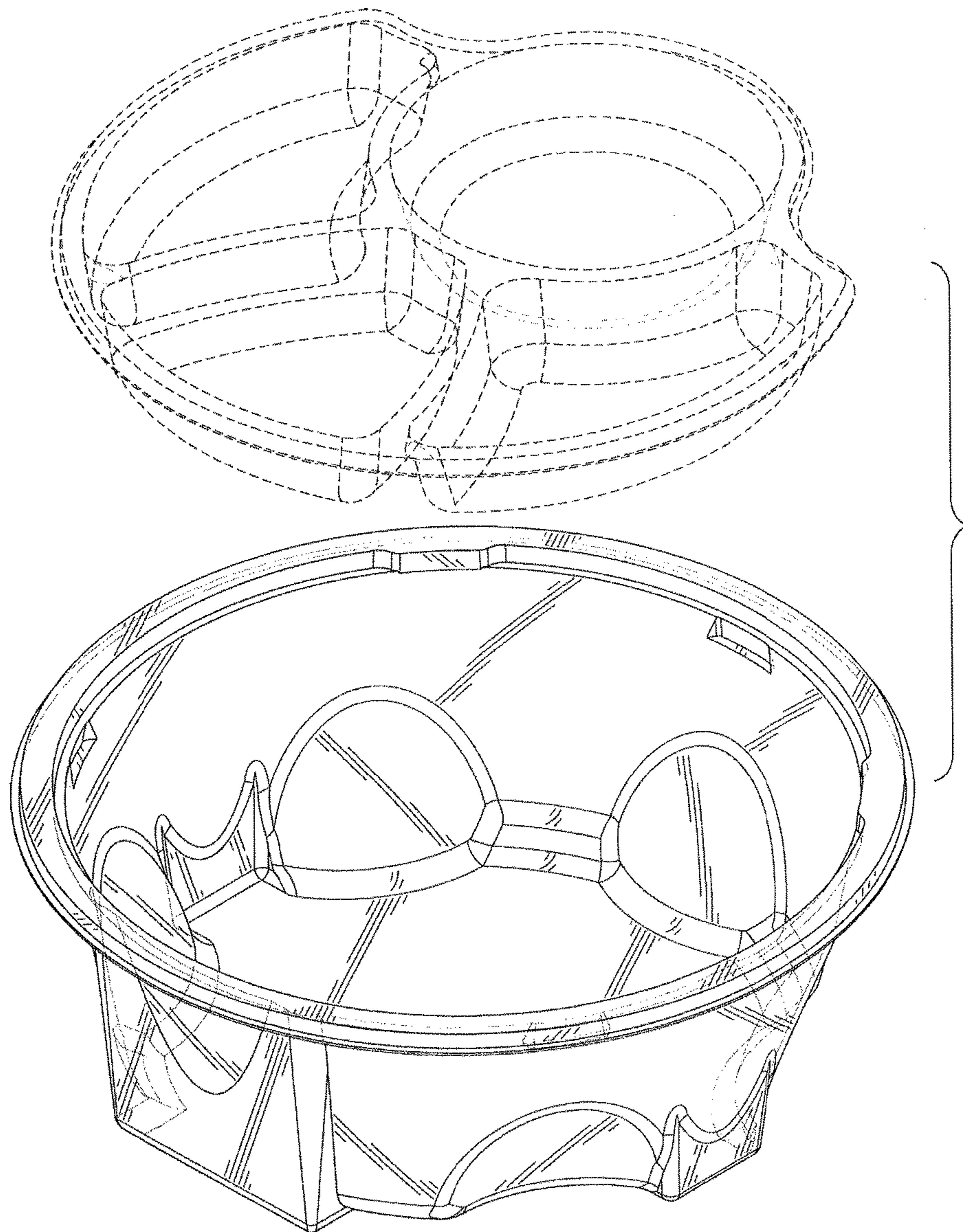


FIG. 10