



US00D857491S

(12) **United States Design Patent**
Bell et al.

(10) **Patent No.:** **US D857,491 S**

(45) **Date of Patent:** **** Aug. 27, 2019**

(54) **WASHER**

(71) Applicant: **CPC Engineering Pty Ltd**, West Perth,
Western Australia (AU)

(72) Inventors: **Ronald Thomas Bell**, Singleton (AU);
Brad Michael John Lloyd, Ellenbrook
(AU); **Graham Trevor Warner**,
Wellard (AU)

(73) Assignee: **CPC Engineering Pty Ltd**, West Perth
(AU)

(**) Term: **15 Years**

(21) Appl. No.: **29/638,626**

(22) Filed: **Feb. 28, 2018**

(30) **Foreign Application Priority Data**

Aug. 28, 2017 (AU) 201715098

(51) **LOC (12) Cl.** **06-08**

(52) **U.S. Cl.**
USPC **D8/399**

(58) **Field of Classification Search**
USPC 411/295, 393, 427, 429, 432, 918, 179,
411/180, 190, 327, 531; D8/397, 394,
D8/382, 349, 399; 605/232; 248/154;
D24/156

CPC F16B 31/02; F16B 41/002; F16B 23/0061
See application file for complete search history.

(56) **References Cited**

U.S. PATENT DOCUMENTS

92,199 A * 7/1869 Mair 24/713.7
139,230 A * 5/1873 Bell 403/210
713,537 A * 11/1902 Treadwell 403/282
2,379,804 A * 7/1945 Johnson 411/302
D172,741 S * 8/1954 Cooper D8/367

2,813,692 A * 11/1957 Peterson et al. 248/56
D197,915 S * 4/1964 Ayars 7/164
4,089,077 A * 5/1978 Morton B25F 1/00
7/138
D249,326 S * 9/1978 Johanson D8/367
4,371,293 A * 2/1983 Wilcox et al. 405/302.1
D269,410 S * 6/1983 Johansson D8/367
D269,411 S * 6/1983 Johansson D8/367
D290,965 S * 7/1987 Satalof et al. D17/13
D331,695 S * 12/1992 O'Keefe D8/356
D339,814 S * 9/1993 Pepper D15/139
5,251,964 A * 10/1993 Ojanen B23K 1/001
175/435
D360,127 S * 7/1995 Stiner D20/42
D364,084 S * 11/1995 Yaich D8/356
5,684,258 A * 11/1997 Liao G10D 13/00
224/910
D399,730 S * 10/1998 Pitre D8/399
5,819,610 A * 10/1998 Brannan B25B 13/48
81/437
6,130,375 A * 10/2000 Kellogg et al. 84/327

(Continued)

Primary Examiner — Cynthia R Underwood

(74) *Attorney, Agent, or Firm* — MH2 Technology Law
Group, LLP

(57) **CLAIM**

The ornamental design for a washer, as shown and
described.

DESCRIPTION

FIG. 1 is a front view of a washer in accordance with the
present design.

FIG. 2 is a bottom view of the washer.

FIG. 3 is a left side view of the washer.

FIG. 4 is a right side view of the washer.

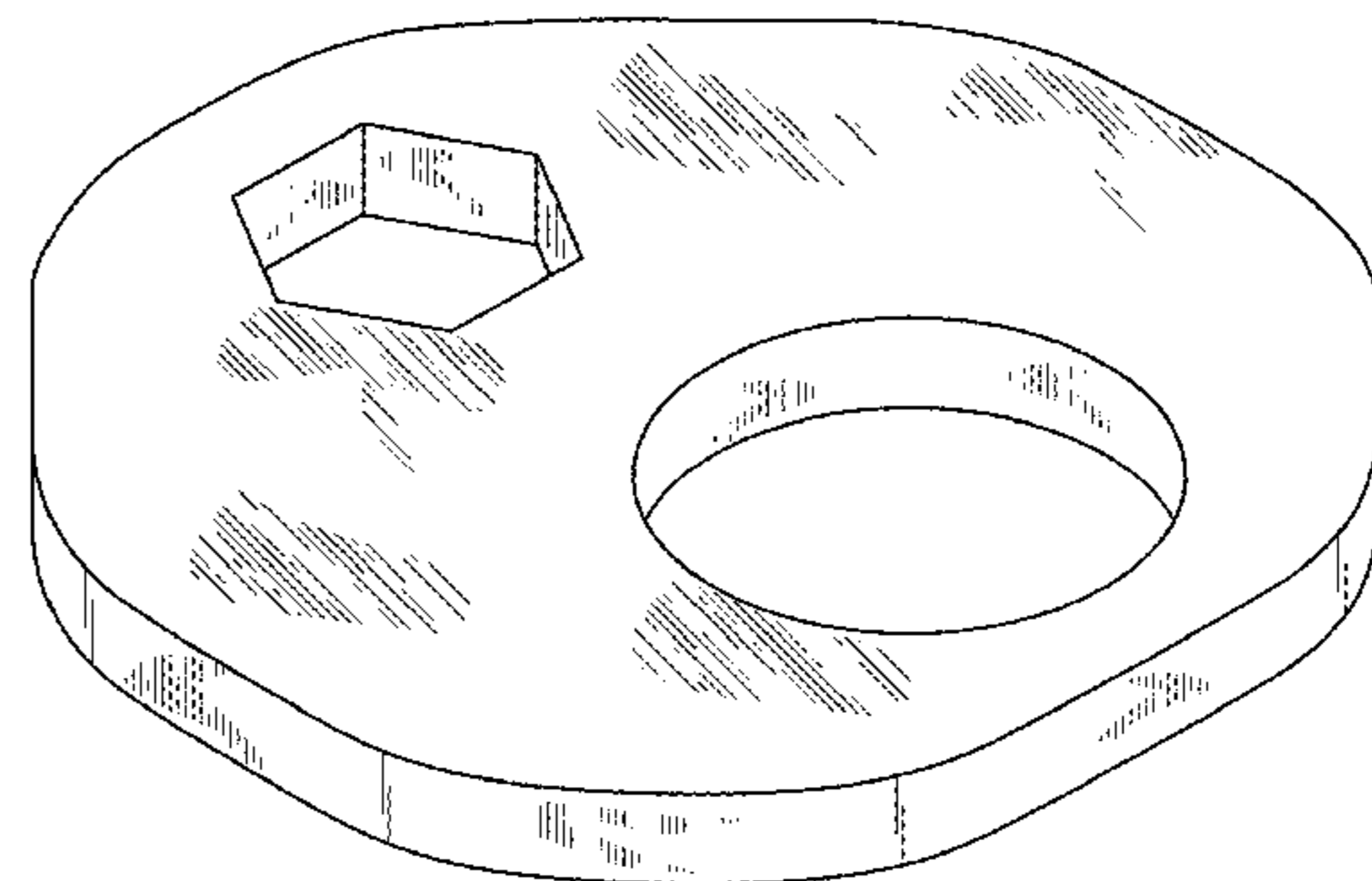
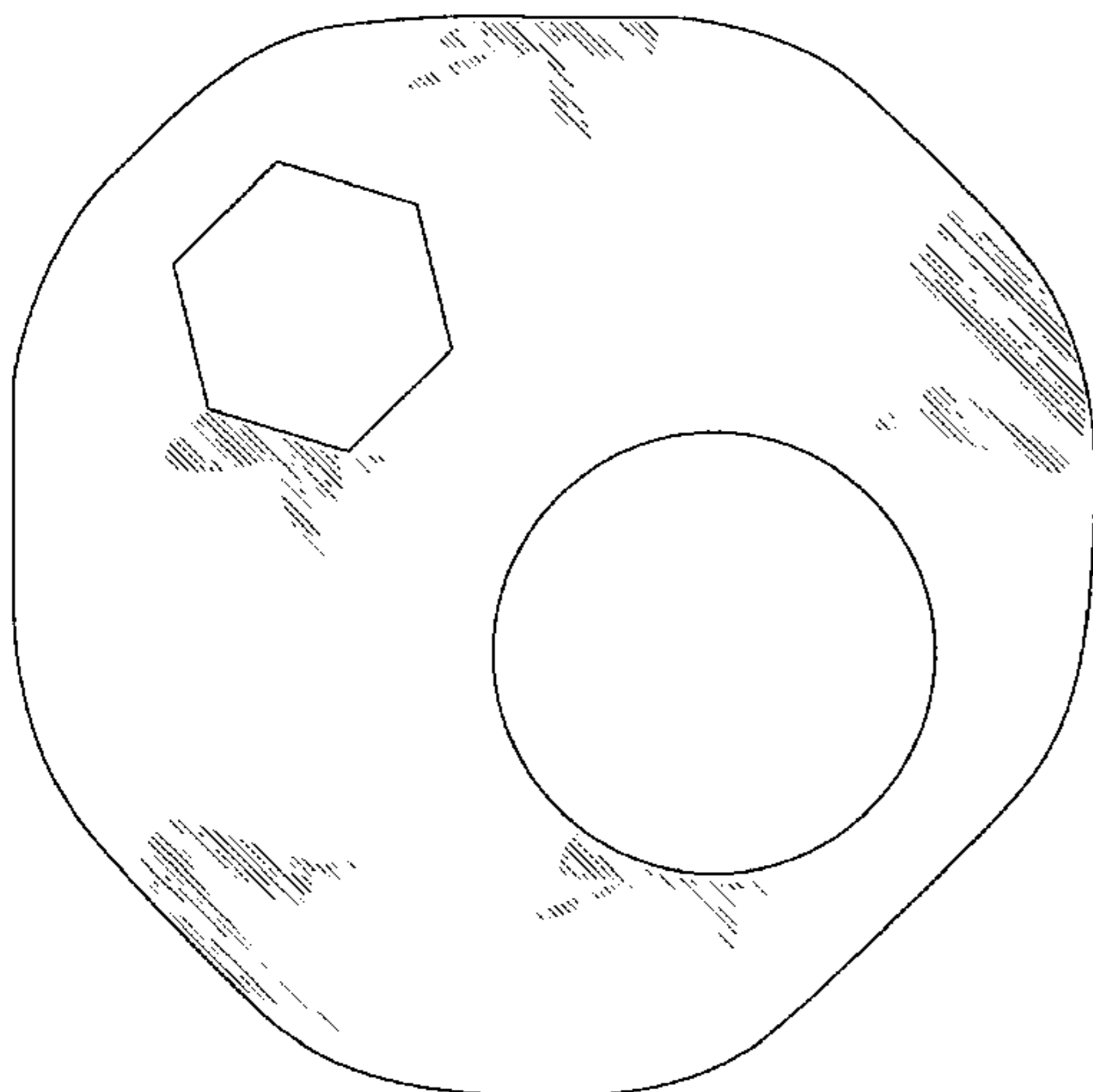
FIG. 5 is a rear view of the washer.

FIG. 6 is a top view of the washer.

FIG. 7 is a first perspective view of the washer; and,

FIG. 8 is a second perspective view of the washer.

1 Claim, 5 Drawing Sheets



(56)

References Cited

U.S. PATENT DOCUMENTS

6,505,532 B1 * 1/2003 Lawson B25B 13/48
81/124.3
6,781,048 B1 * 8/2004 Royce 84/454
D550,545 S * 9/2007 Ernst et al. D8/373
D563,206 S * 3/2008 Bakker et al. D8/356
D598,919 S * 8/2009 Takemasa et al. D14/432
D620,781 S * 8/2010 Weckworth D8/356
D625,915 S * 10/2010 Parsley et al. D3/232
D630,497 S * 1/2011 Allina, Jr. H01R 4/48
D8/356
D636,623 S * 4/2011 Edgemont D6/595
7,930,800 B1 * 4/2011 Castrale et al. 16/2.2
8,096,017 B2 * 1/2012 Van Walraven et al. 16/2.1
D661,343 S * 6/2012 Cox D17/99
D674,350 S * 1/2013 Hodge et al. D13/155
D684,845 S * 6/2013 Wood A62B 35/04
D8/356
D691,034 S * 10/2013 Field D8/399
8,545,157 B2 * 10/2013 Golovashchenko 411/531
8,567,029 B2 * 10/2013 Oymaian B23D 63/18
254/25
D693,668 S * 11/2013 Wojtowicz D8/394

8,616,818 B2 * 12/2013 Travis F16B 43/00
411/371.1
D713,237 S * 9/2014 Towner D8/323
D713,240 S * 9/2014 Chance D8/356
D763,674 S * 8/2016 Nagaki D8/394
D769,111 S * 10/2016 Kamiya D8/394
D776,519 S * 1/2017 Almaghlouth D8/399
D778,702 S * 2/2017 Mouthaan D8/71
D809,375 S * 2/2018 Wyser D8/395
D817,140 S * 5/2018 Mouthaan D8/71
10,006,479 B2 * 6/2018 Dickinson B29C 45/006
D830,161 S * 10/2018 Russo D8/399
D835,503 S * 12/2018 Votel D8/394
D835,979 S * 12/2018 Lin D8/399
10,159,378 B1 * 12/2018 Orban A47J 36/12
10,174,783 B1 * 1/2019 Nichols F16B 43/001
D840,779 S * 2/2019 Votel D8/72
D844,424 S * 4/2019 MacDonald D8/399
D845,100 S * 4/2019 Gonzalez Garcia D8/71
2010/0253919 A1 * 10/2010 Douglas 353/13
2012/0186907 A1 * 7/2012 Brendley A62B 1/14
182/5
2013/0026810 A1 * 1/2013 Ojanen E21C 35/183
299/104

* cited by examiner

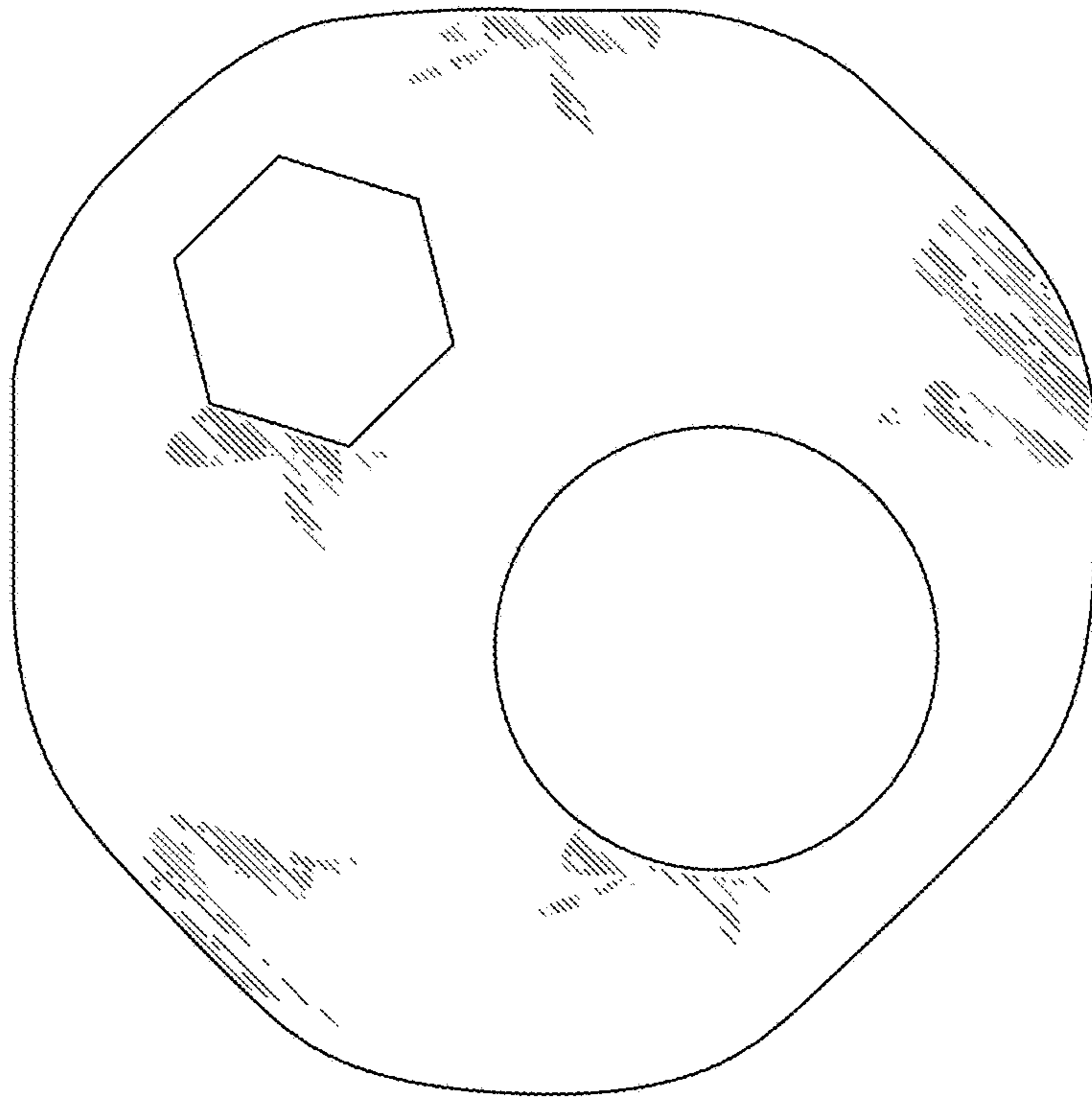


FIG. 1



FIG. 2

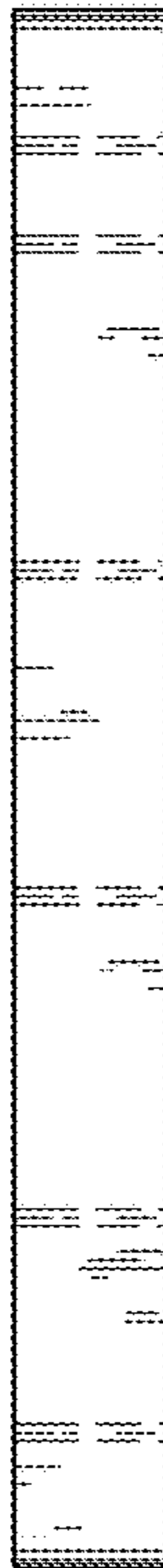


FIG. 3

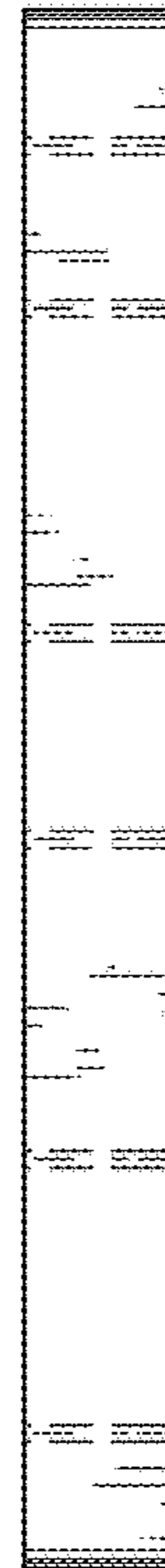


FIG. 4

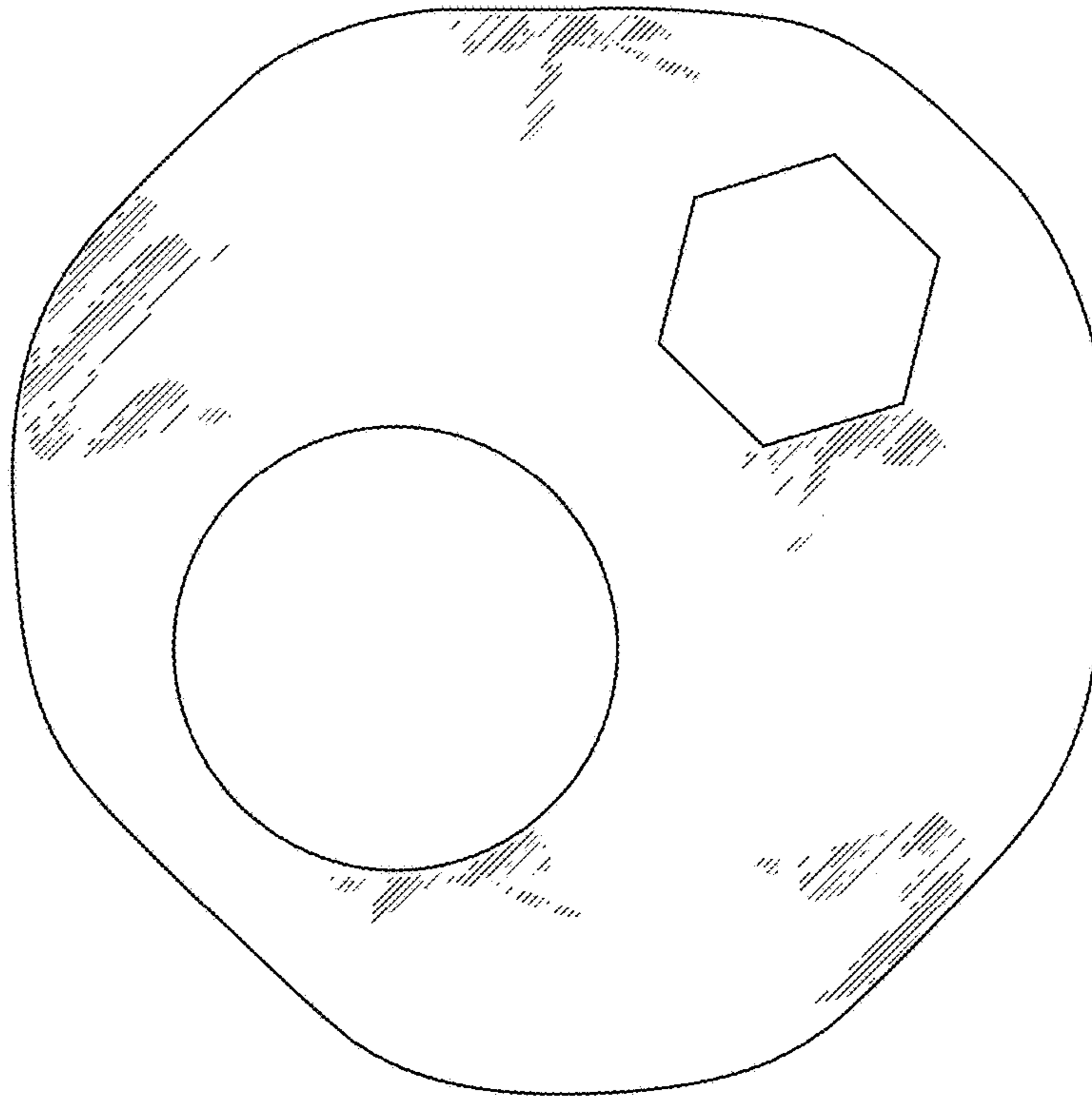


FIG. 5



FIG. 6

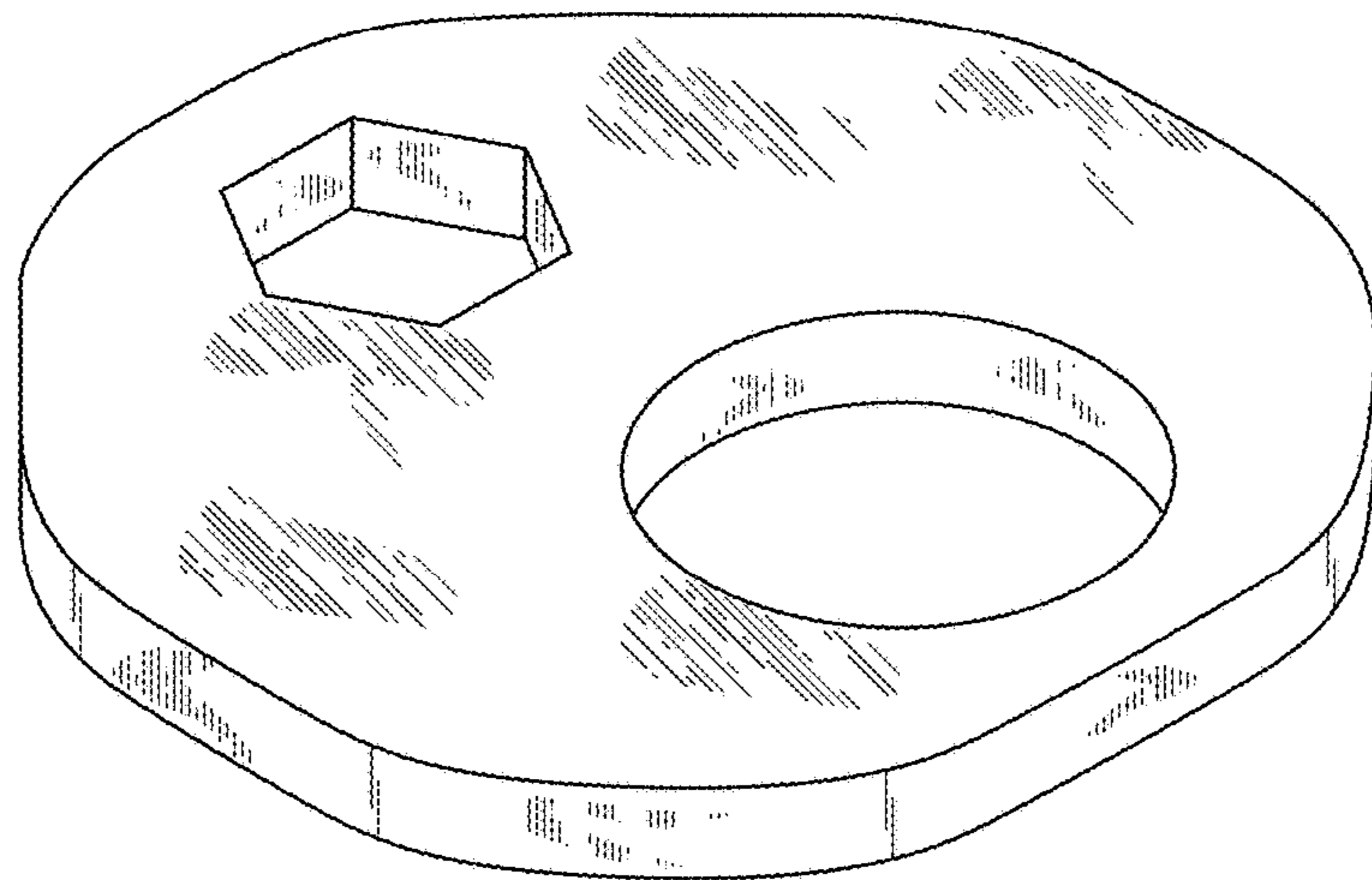


FIG. 7

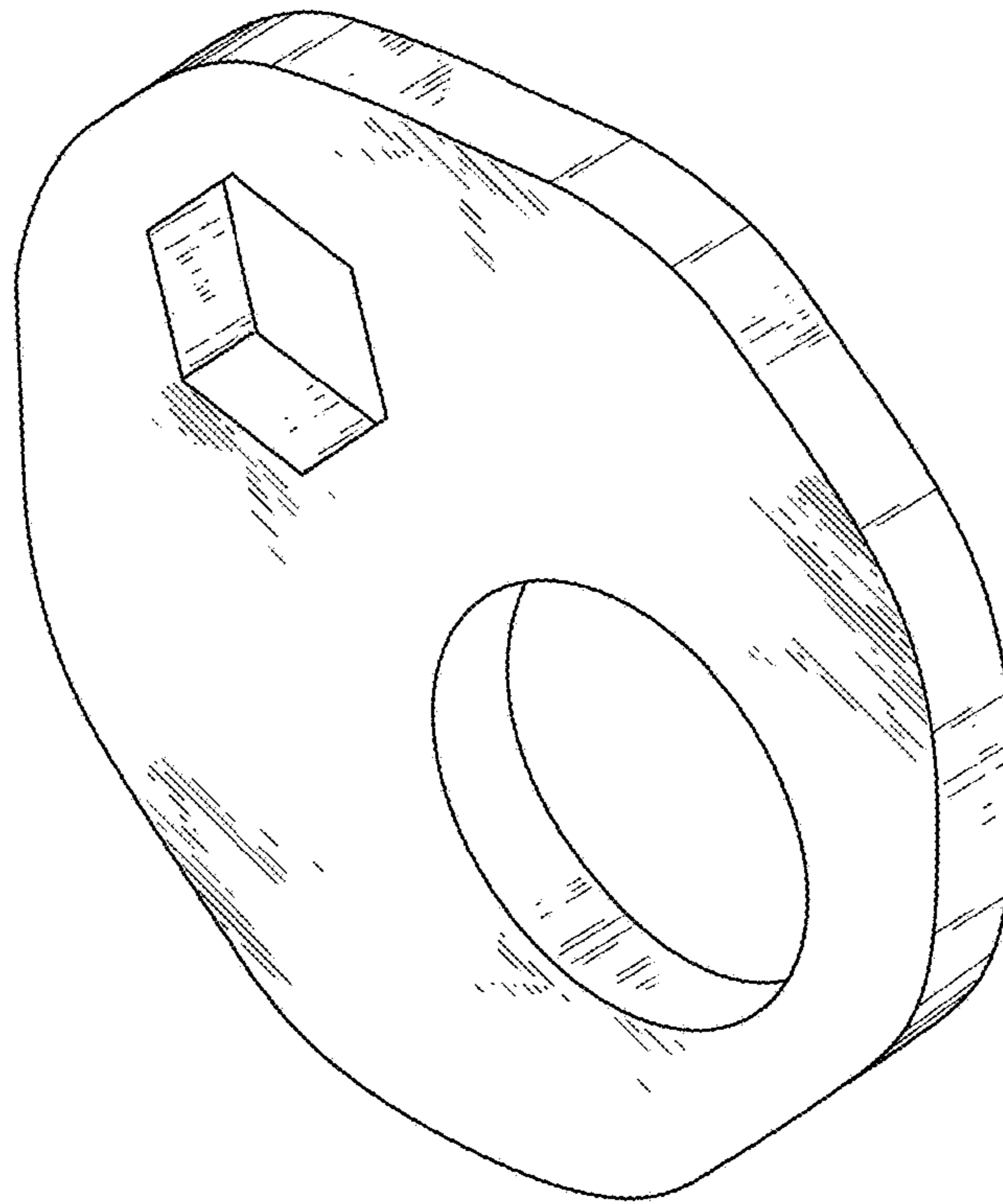


FIG. 8