



US00D857490S

(12) **United States Design Patent**
Rutledge et al.

(10) **Patent No.:** **US D857,490 S**

(45) **Date of Patent:** **** Aug. 27, 2019**

- (54) **BUNG TAB**
- (71) Applicant: **DeLaval Holding AB**, Tumba (SE)
- (72) Inventors: **Randy Rutledge**, Tumba (SE); **Nils Älveby**, Tumba (SE)
- (73) Assignee: **DELAVAL HOLDING AB**, Tumba (SE)
- (**) Term: **15 Years**
- (21) Appl. No.: **29/656,197**
- (22) Filed: **Jul. 11, 2018**
- (51) **LOC (12) Cl.** **08-08**
- (52) **U.S. Cl.**
USPC **D8/397**
- (58) **Field of Classification Search**
USPC 411/295, 393; D8/397, 394, 382, 349
CPC F16B 31/02; F16B 41/002; F16B 23/0061
See application file for complete search history.

D648,006 S *	11/2011	Morishita	D23/259
D649,031 S *	11/2011	Rand	D8/397
D669,968 S *	10/2012	Morishita	D23/259
D713,715 S *	9/2014	Kury	D8/397
D721,423 S *	1/2015	Jacques	D23/260
D738,714 S *	9/2015	Kuhmichel	D8/397
D748,227 S *	1/2016	von Lepel	D23/260
D749,197 S *	2/2016	von Lepel	D23/260
D749,198 S *	2/2016	von Lepel	D23/260
D749,199 S *	2/2016	von Lepel	D23/260
9,297,407 B2 *	3/2016	Pudvah	F16B 41/002
D766,069 S *	9/2016	Miller	D8/349
D766,075 S *	9/2016	Milbank	D8/394
9,593,707 B2 *	3/2017	Weis	F16B 37/14
9,624,962 B2 *	4/2017	Unsold	F16B 37/00
2003/0068212 A1 *	4/2003	Wilson	F16B 37/14
				411/429

(Continued)

Primary Examiner — Cynthia R Underwood
(74) *Attorney, Agent, or Firm* — Young & Thompson

(57) **CLAIM**

The ornamental design for a bung tab, as shown and described.

DESCRIPTION

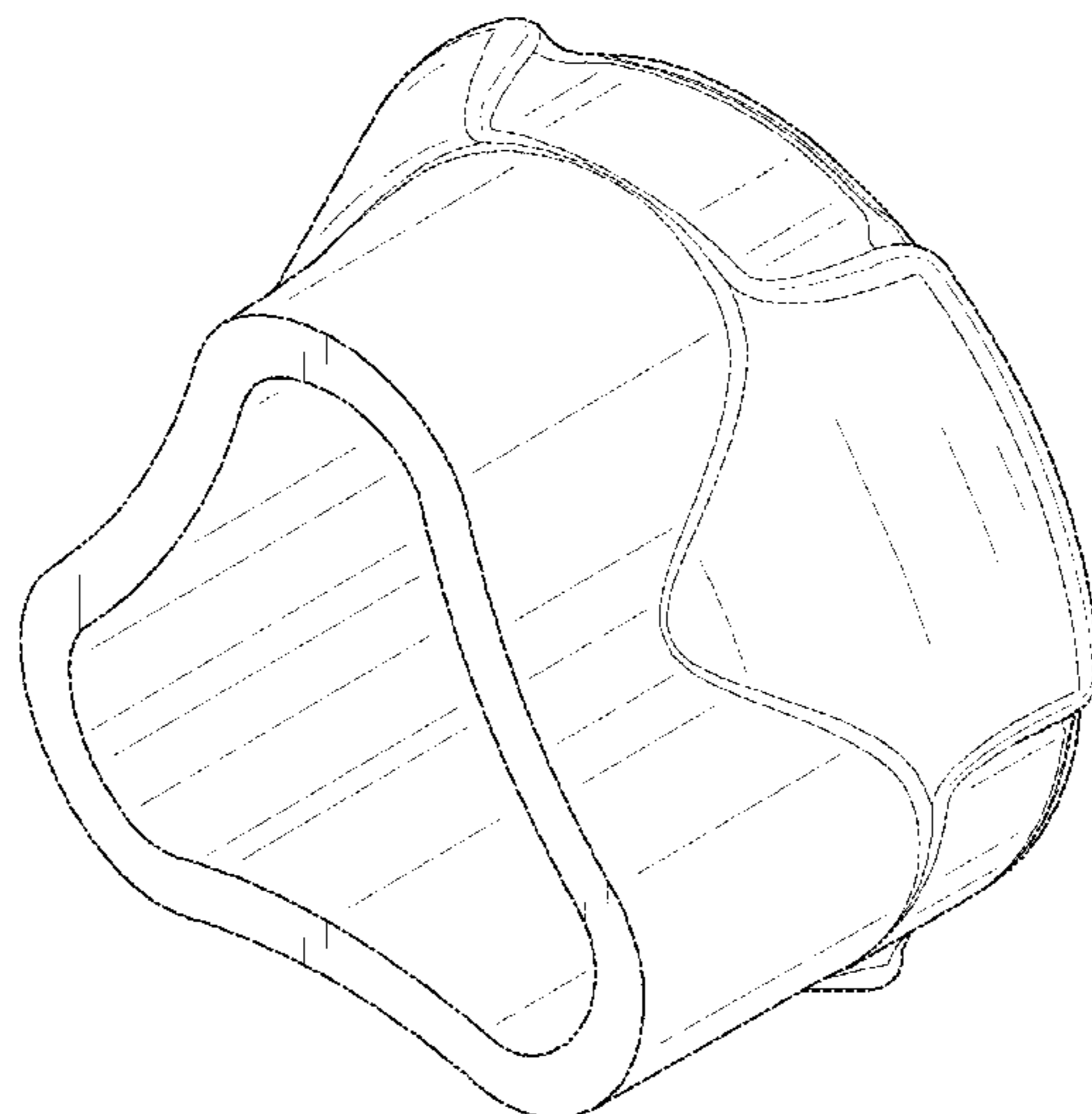
FIG. 1 is a front, right side, and top perspective view of a bung tab showing the new design; FIG. 2 is a right side elevation view thereof; FIG. 3 is a left side elevation view thereof; FIG. 4 is a top plan view thereof; FIG. 5 is a bottom plan view thereof; FIG. 6 is a front elevation view thereof; FIG. 7 is a rear elevation view thereof; and, FIG. 8 is a perspective of the bung tab in a manner of use with a complete liner for a teat cup. The broken lines in FIG. 8 are included for the purpose of illustrating environmental structure, and form no part of the claimed design.

1 Claim, 8 Drawing Sheets

(56) **References Cited**

U.S. PATENT DOCUMENTS

2,440,944 A *	5/1948	Green	F16B 39/286
				411/282
D157,484 S *	2/1950	Gade	411/437
3,543,826 A *	12/1970	Forgaard	F16B 39/284
				411/284
D223,231 S *	4/1972	Miller	D8/385
3,693,495 A *	9/1972	Wagner	F16B 23/003
				411/377
5,324,149 A *	6/1994	Bainbridge	F16B 37/14
				411/377
5,810,532 A *	9/1998	Huang	F16B 37/14
				411/377
D484,785 S *	1/2004	Plumer	D8/397
D488,715 S *	4/2004	Plumer	D8/397
D513,380 S *	1/2006	Bruni	D8/397
D627,039 S *	11/2010	Yu	D23/260



(56)

References Cited

U.S. PATENT DOCUMENTS

2011/0123293 A1* 5/2011 Matlock F16B 37/14
411/429
2015/0184687 A1* 7/2015 Weis F16B 37/14
411/373

* cited by examiner

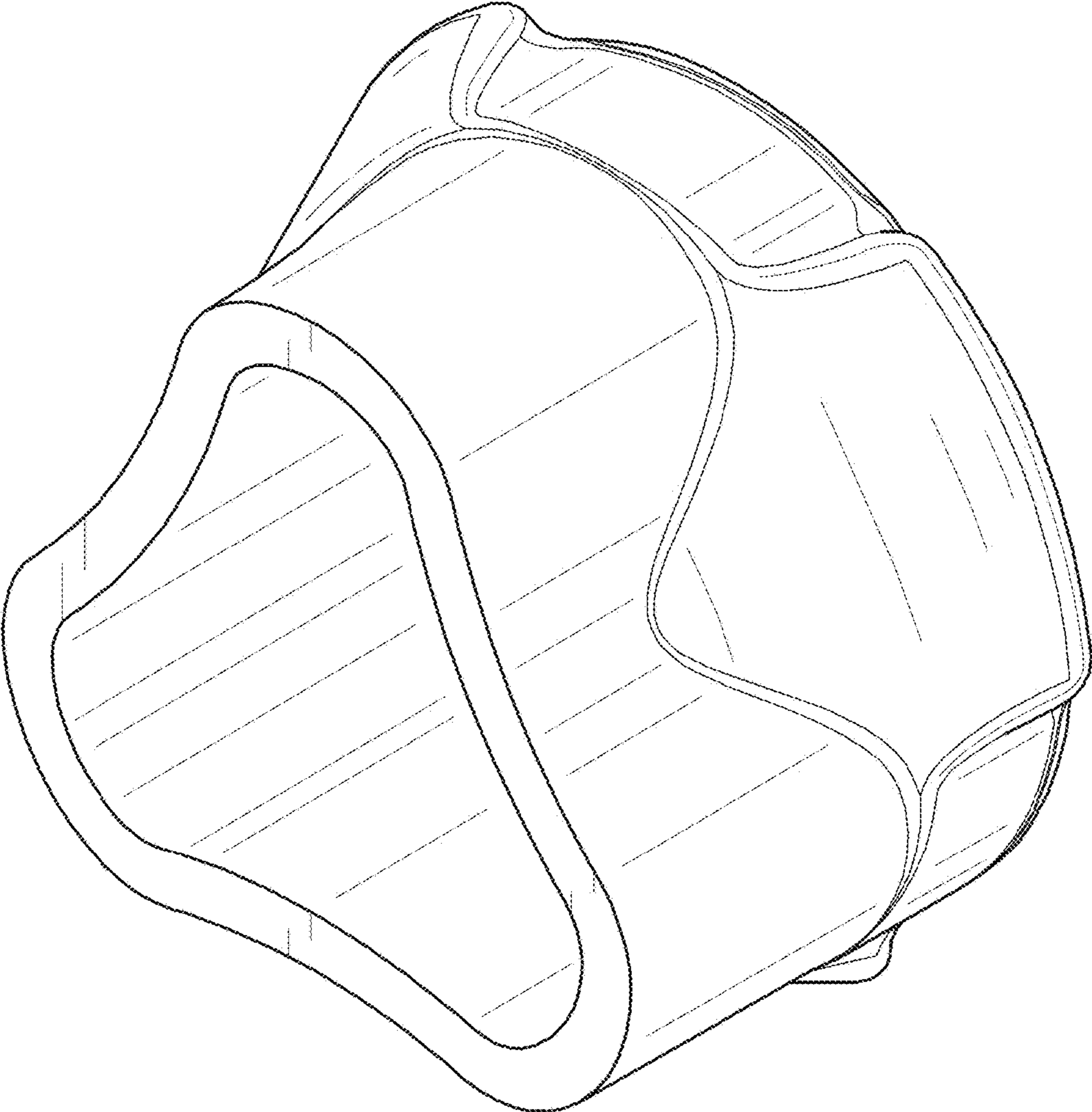


FIG. 1

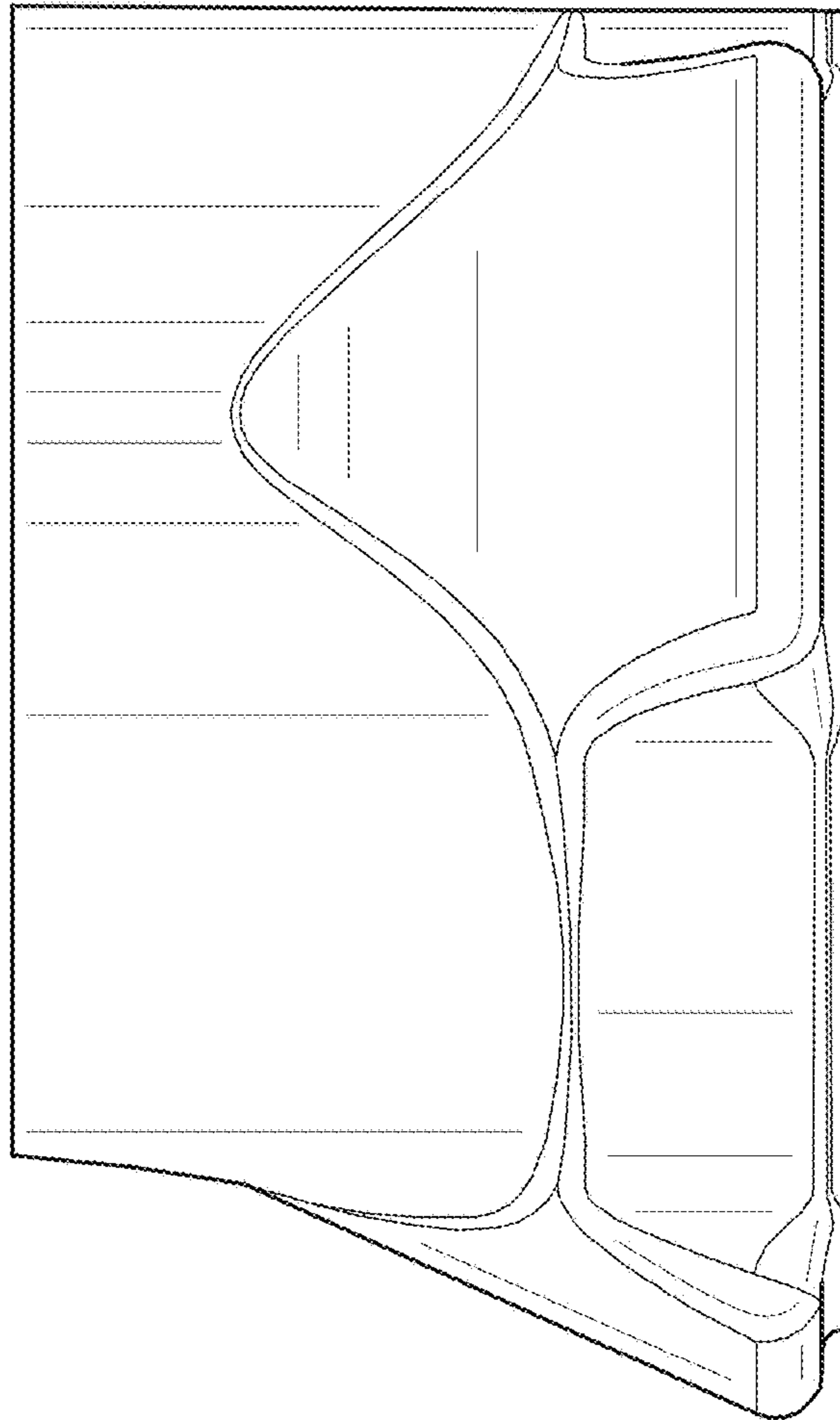


FIG. 2

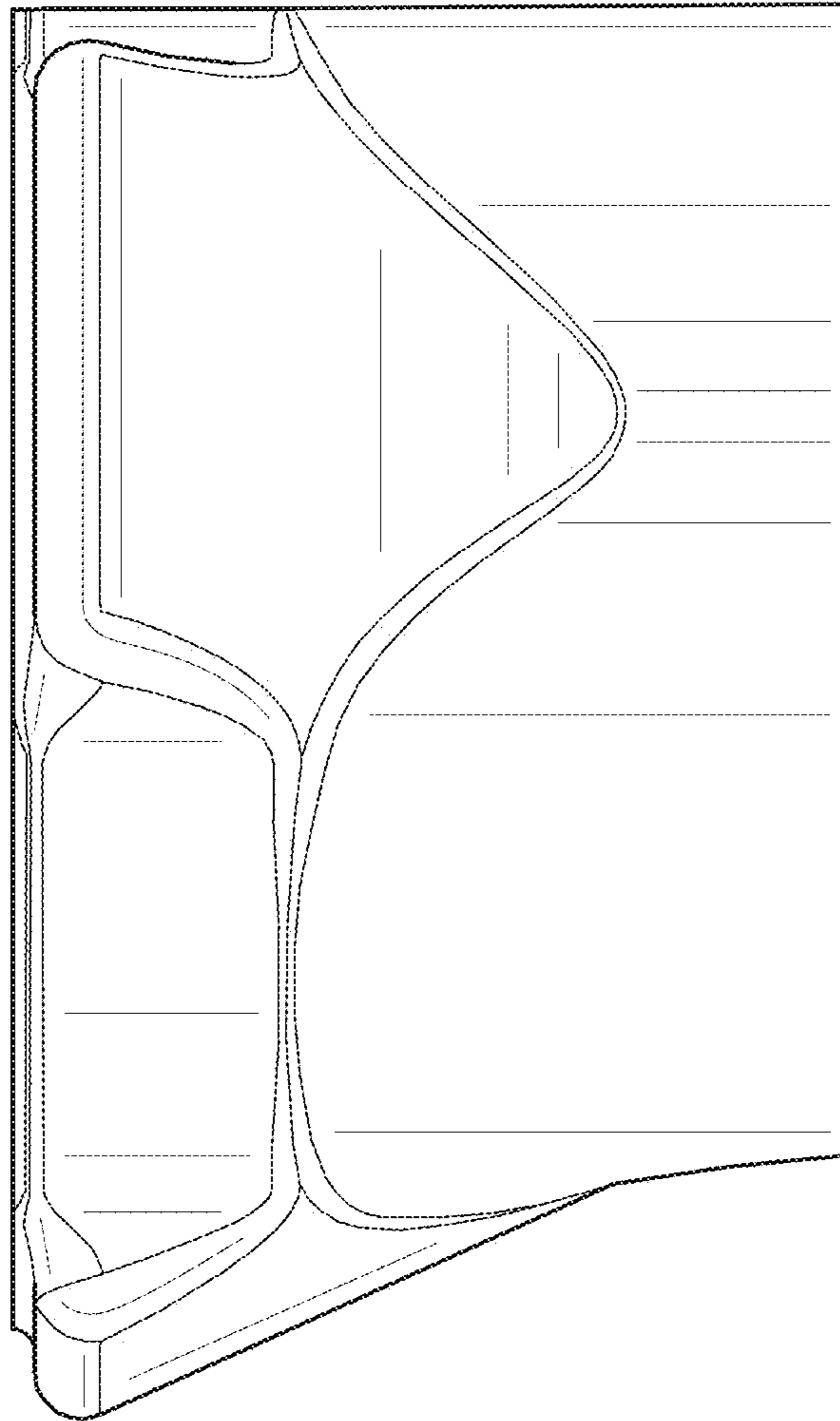


FIG. 3

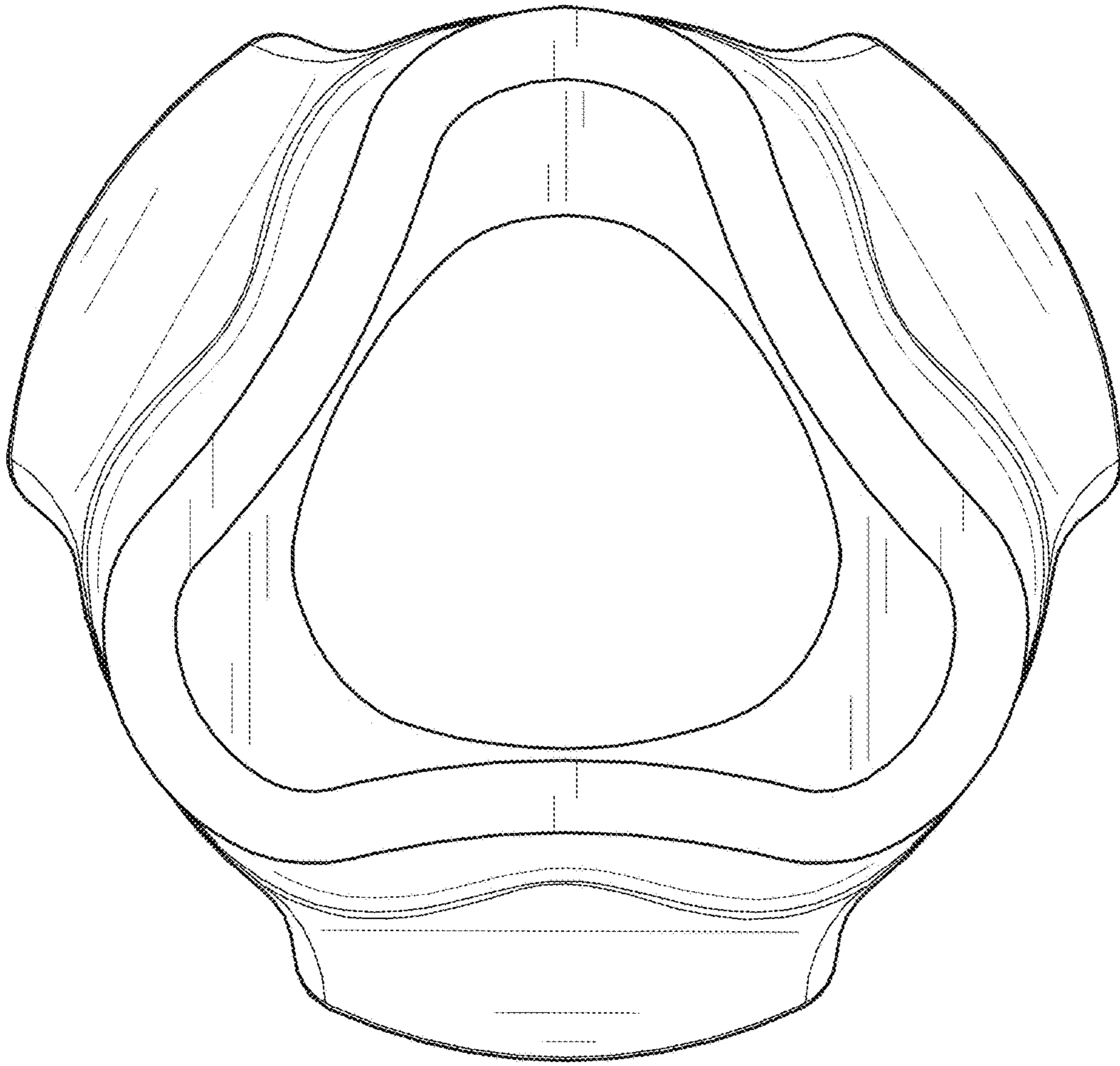


FIG. 4

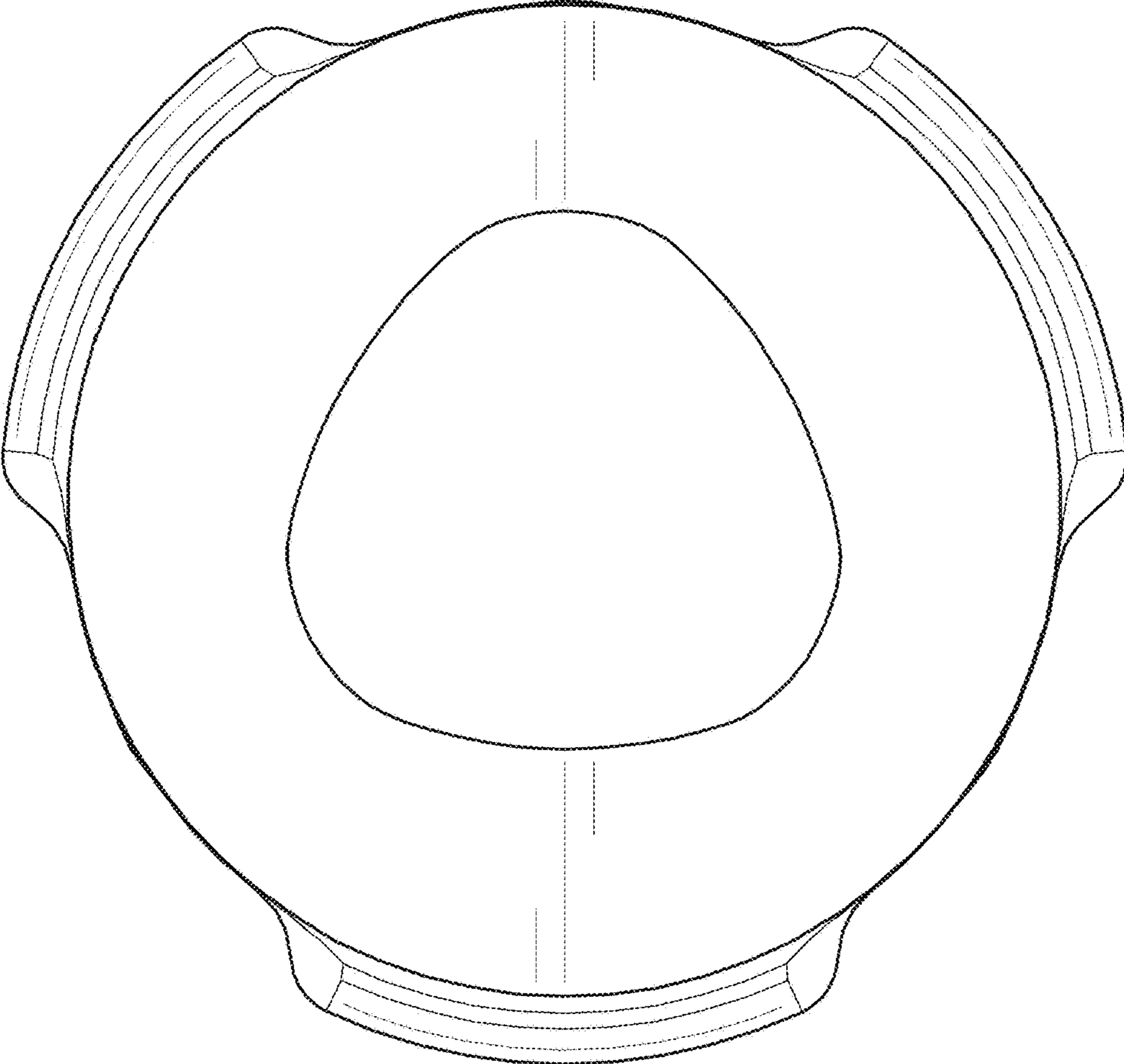


FIG. 5

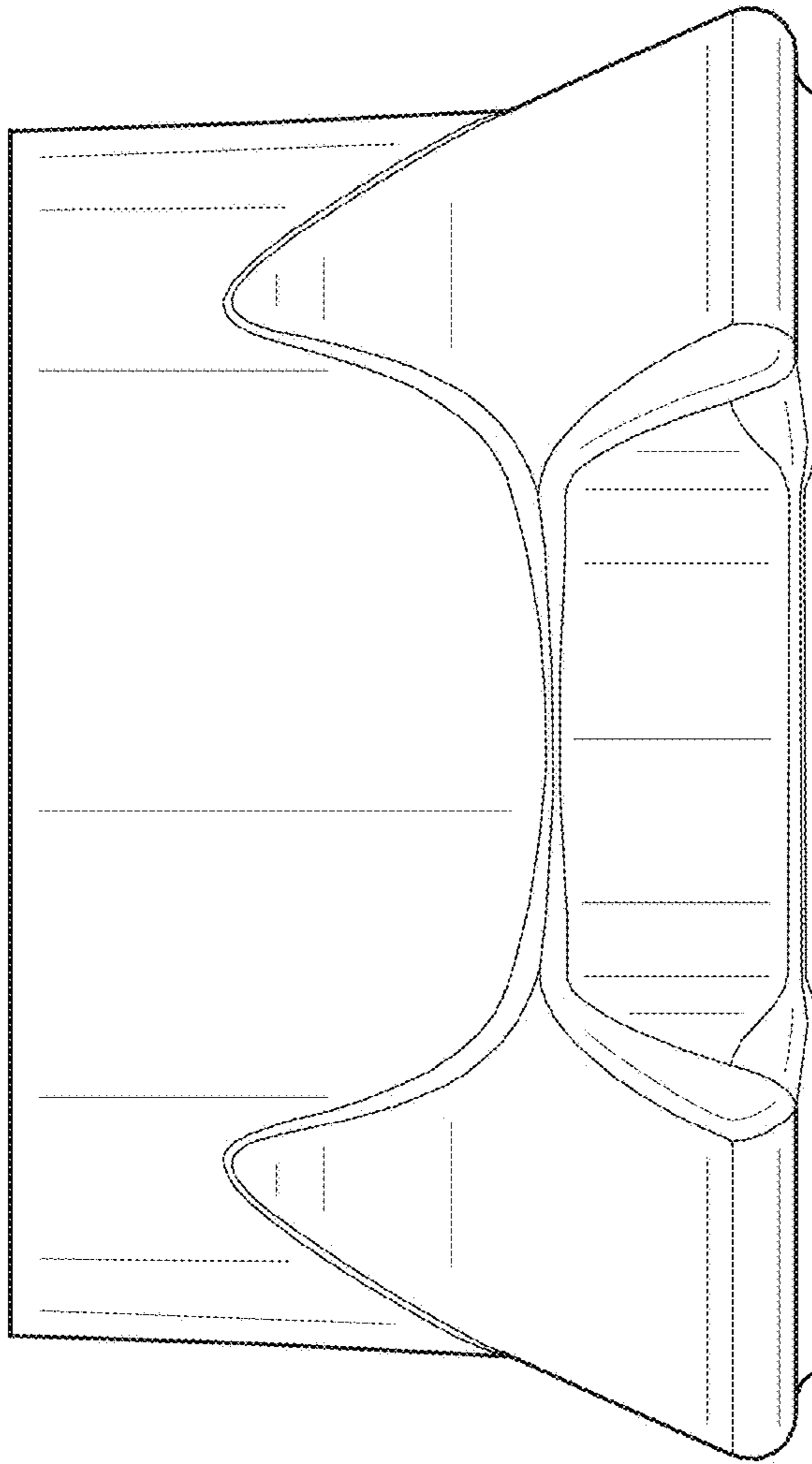


FIG. 6

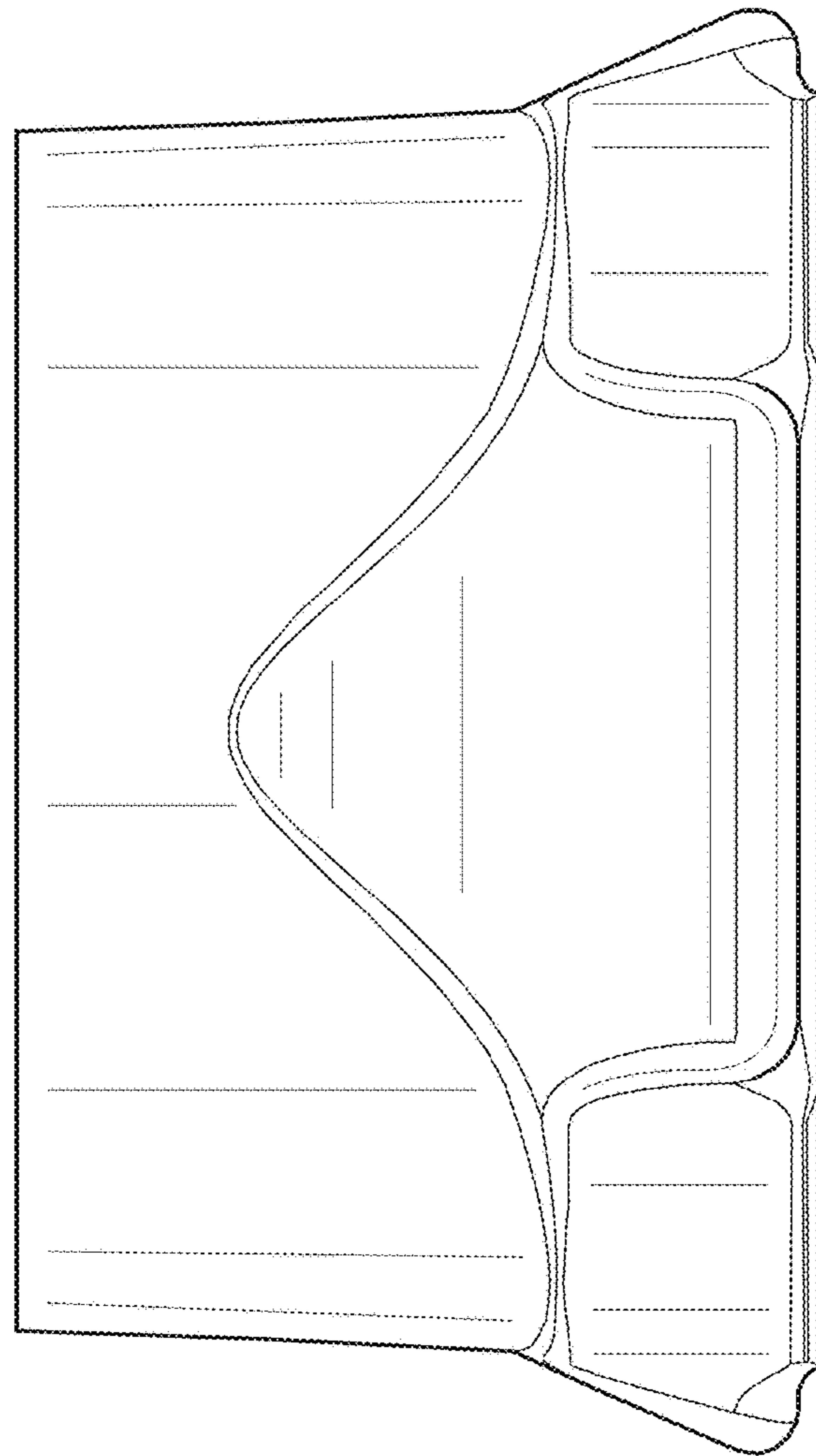


FIG. 7

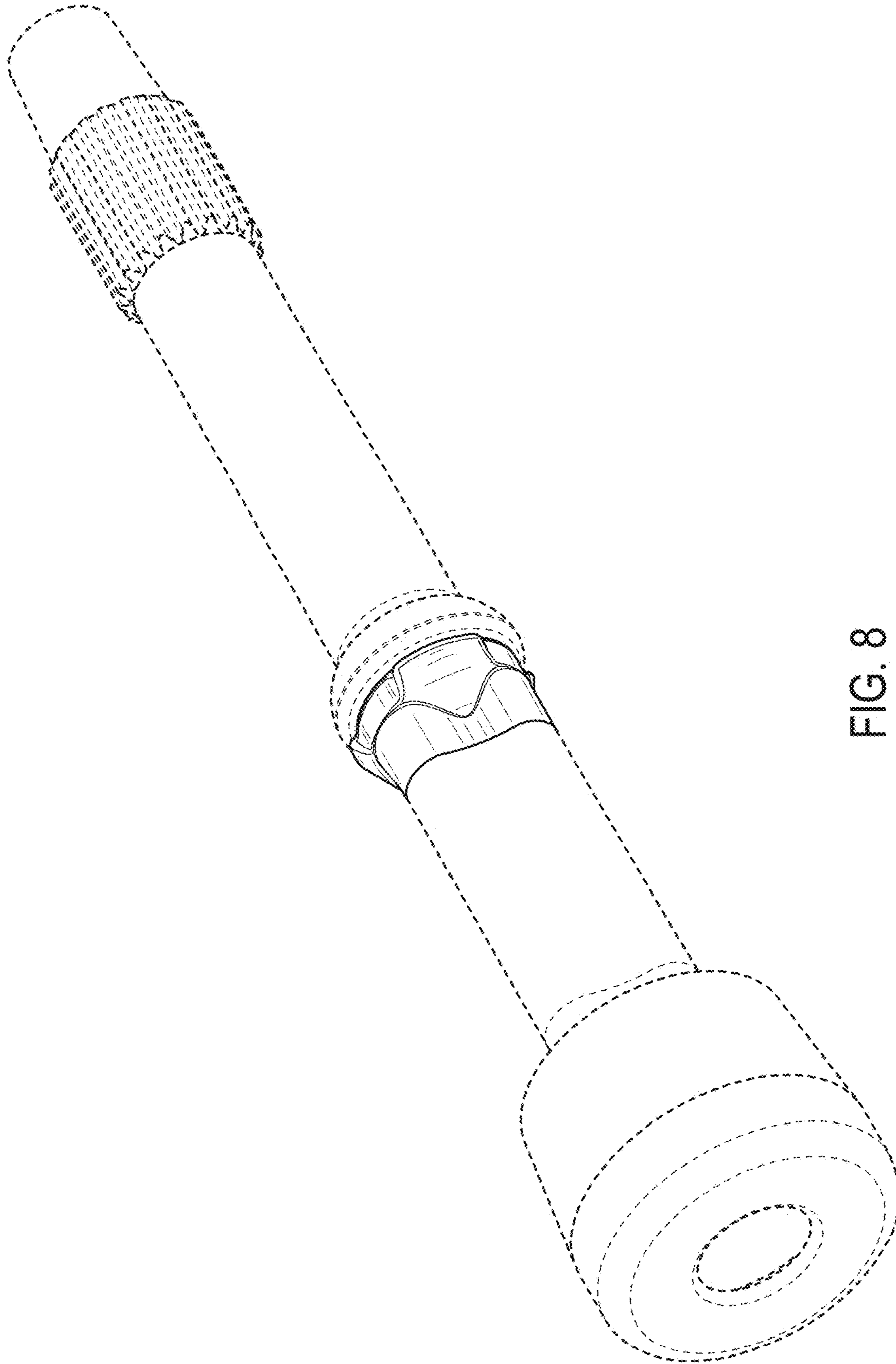


FIG. 8