



US00D857489S

(12) **United States Design Patent**
Rebot et al.

(10) **Patent No.:** **US D857,489 S**

(45) **Date of Patent:** **** Aug. 27, 2019**

(54) **CLIP**

(71) Applicant: **SPIN MASTER LTD.**, Toronto (CA)

(72) Inventors: **Natalie Rebot**, Toronto (CA); **Hamid R. Hashemi**, Mississauga (CA); **Herman Chan**, Toronto (CA)

(73) Assignee: **SPIN MASTER LTD.**, Toronto (CA)

(**) Term: **15 Years**

(21) Appl. No.: **29/625,201**

(22) Filed: **Nov. 7, 2017**

(51) **LOC (12) Cl.** **08-08**

(52) **U.S. Cl.**
USPC **D8/395**

(58) **Field of Classification Search**
USPC D8/394-396, 367; D28/42; D26/85, 26;
D21/451-453

CPC B25B 5/16; B25B 7/14; A61F 2/46; A61M
39/28; E04H 17/16

See application file for complete search history.

(56) **References Cited**

U.S. PATENT DOCUMENTS

D54,952 S *	4/1920	Newton	D11/108
D92,796 S *	7/1934	Erling	D26/16
D96,317 S *	7/1935	Kayn	D11/41
D100,170 S *	6/1936	Laxer	D26/94
D271,850 S *	12/1983	Einhorn	D19/65
D338,846 S *	8/1993	Jewell	D10/104.2
D353,165 S *	12/1994	LeMarr	D21/398
D397,379 S *	8/1998	Thomsen	D21/483
D411,634 S *	6/1999	Connelly	D26/104
D428,670 S *	7/2000	Tsai	D28/40
D468,034 S *	12/2002	Yu	D26/26
D492,800 S *	7/2004	Yuen	D26/26
D497,034 S *	10/2004	Markfield	D28/42
D511,297 S *	11/2005	Goldberg	D8/383
D520,078 S *	5/2006	Pollack	D21/440

(Continued)

FOREIGN PATENT DOCUMENTS

CN	303326828	*	8/2015
CN	303767470	*	8/2016
CN	304079045	*	3/2017

OTHER PUBLICATIONS

Amazon.com: CSKB LED White Moon Star Night Light Lamp, website 2019, <https://www.amazon.com/CSKB-Marquee-Decorative-Christmas-Decoration/dp/B077GD>. . . site visited May 11, 2019.*

(Continued)

Primary Examiner — John Windmuller

Assistant Examiner — John R Yeh

(74) *Attorney, Agent, or Firm* — Millman IP Inc.

(57) **CLAIM**

The ornamental design for a clip, as shown and described.

DESCRIPTION

FIG. 1 is a perspective view from above, to the front and to the right side of the new design for a clip;

FIG. 2 is a perspective view from above, to the front and to the left side thereof;

FIG. 3 is a perspective view from above, to the back and to the left side thereof;

FIG. 4 is a perspective view from above, to the back and to the right side thereof;

FIG. 5 is a front elevation view thereof;

FIG. 6 is a right side elevation view thereof;

FIG. 7 is a bottom view thereof;

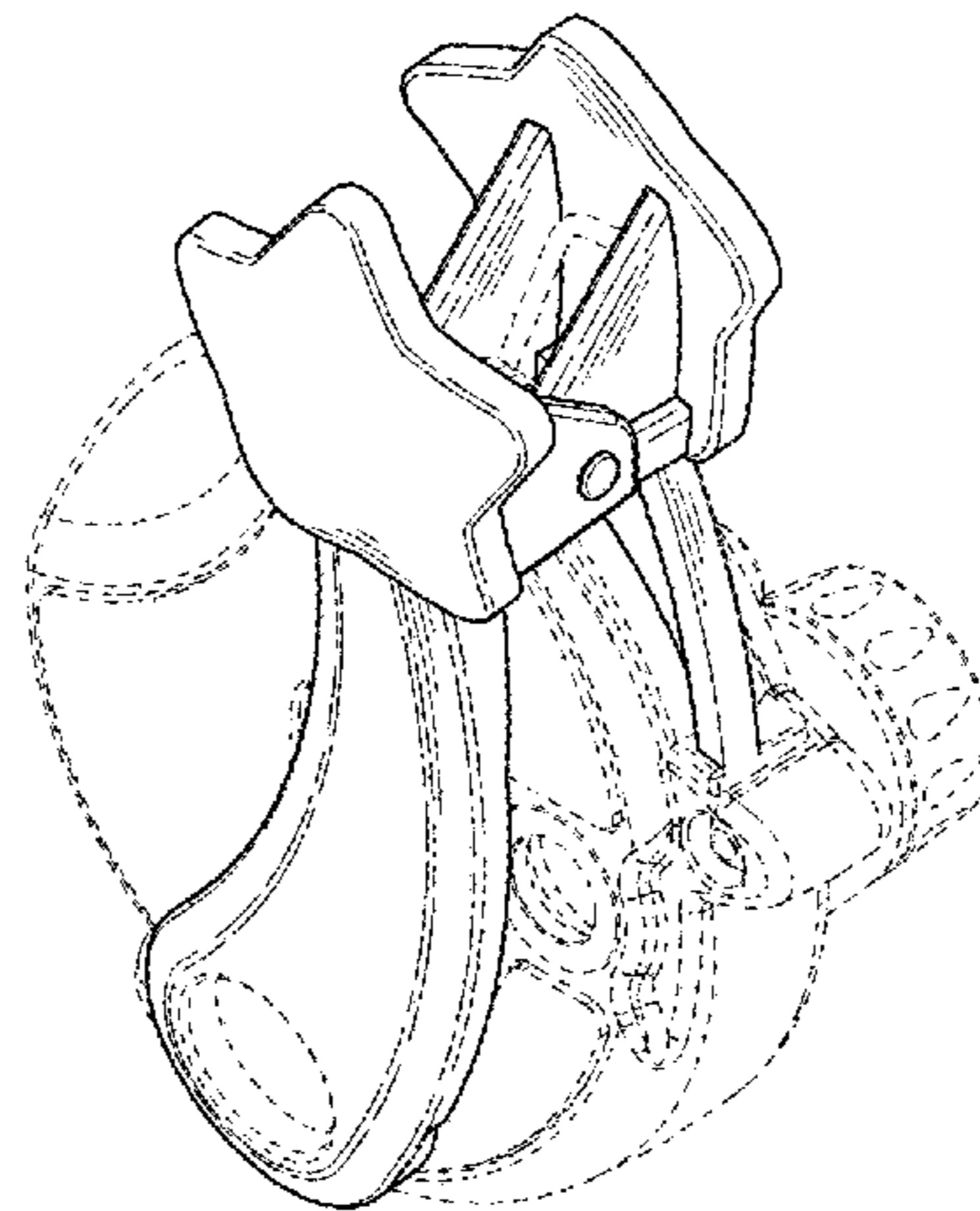
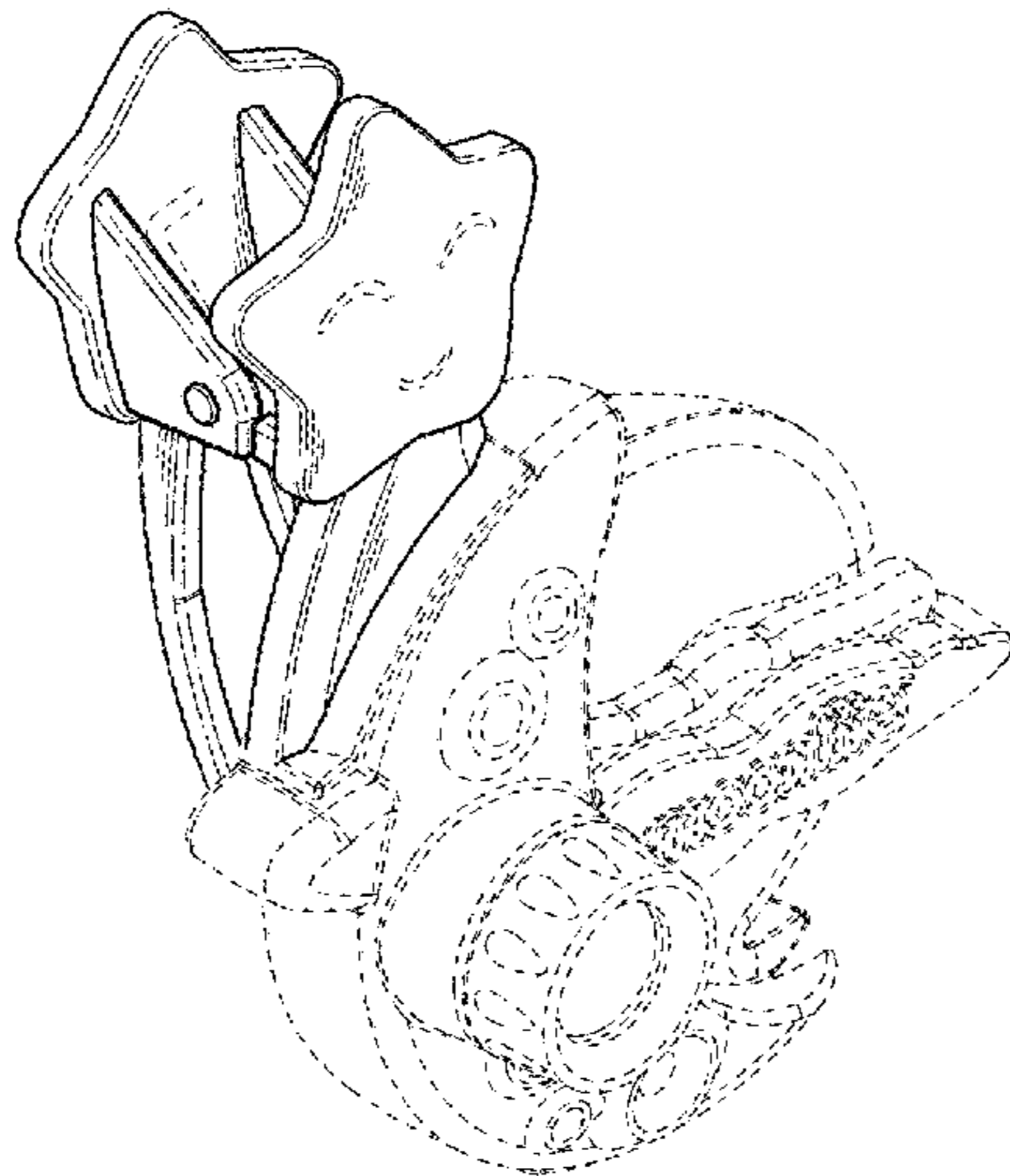
FIG. 8 is a back elevation view thereof;

FIG. 9 is a left side elevation view thereof; and,

FIG. 10 is a top view thereof.

The broken lines shown in the drawings are for illustration only and form no part of the claimed design.

1 Claim, 4 Drawing Sheets



(56)

References Cited

U.S. PATENT DOCUMENTS

D613,026 S * 4/2010 Fitzpatrick D1/106
D690,668 S * 10/2013 Jacoby D13/174
D697,983 S * 1/2014 Nelson D11/81
D784,185 S * 4/2017 York D11/124
2009/0079561 A1 * 3/2009 Nelson G04C 11/00
340/540
2016/0209013 A1 * 7/2016 Chien F21V 29/00
2019/0038891 A1 * 2/2019 Rucker A61M 39/284

OTHER PUBLICATIONS

Moon Hair Clip Celestial Hair Accessories Crescent Moon | Etsy reviews 2018, site visited May 11, 2019.*

Amazon.com: Moonlite—Wherever You Go Story Reel for Moonlite Story Projector, <https://www.amazon.com/Moonlite-Wherever-Story-Reel-Projector/dp/B078QH5CWC/ref...> site visited May 11, 2019.*

* cited by examiner

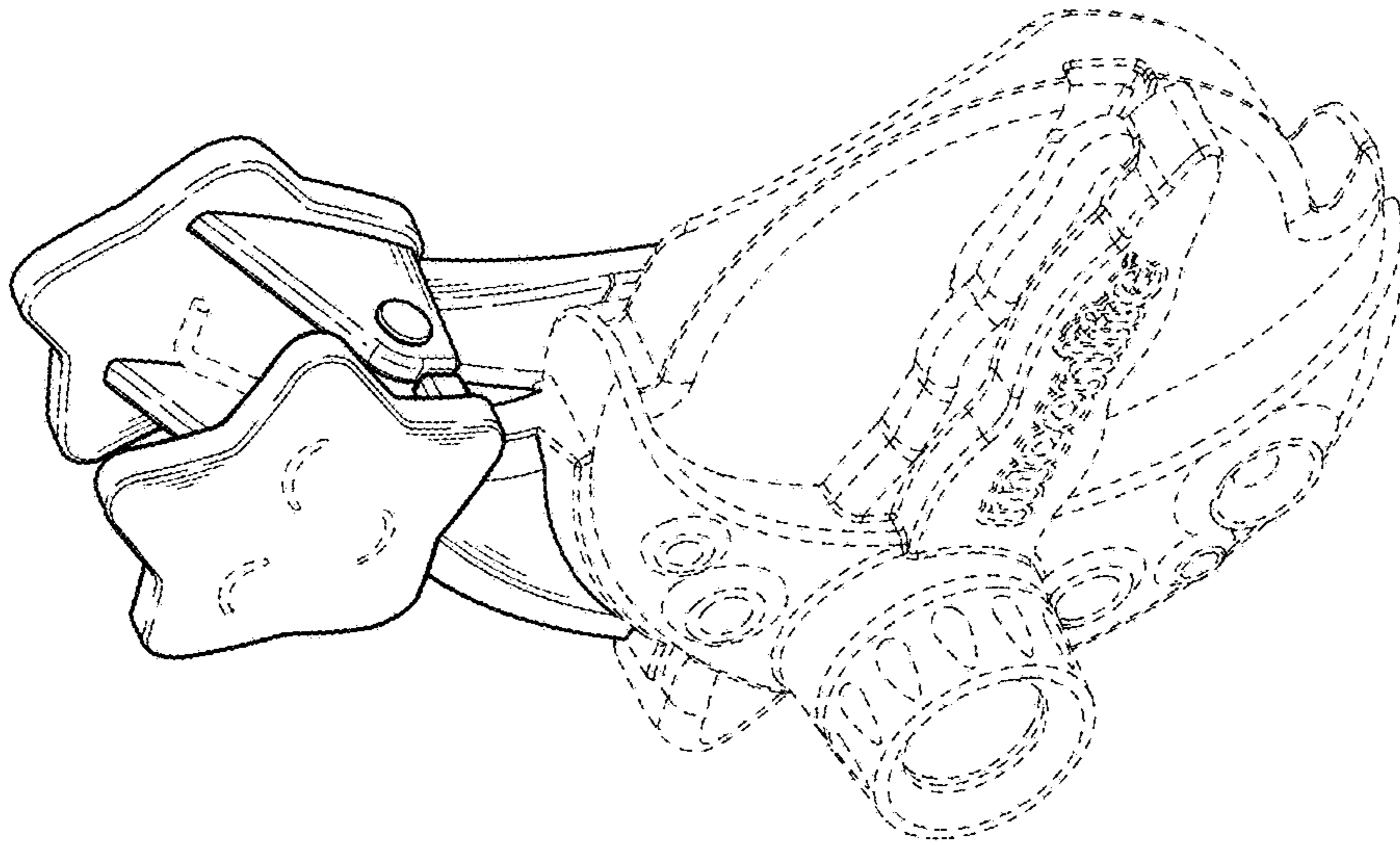


FIG. 2

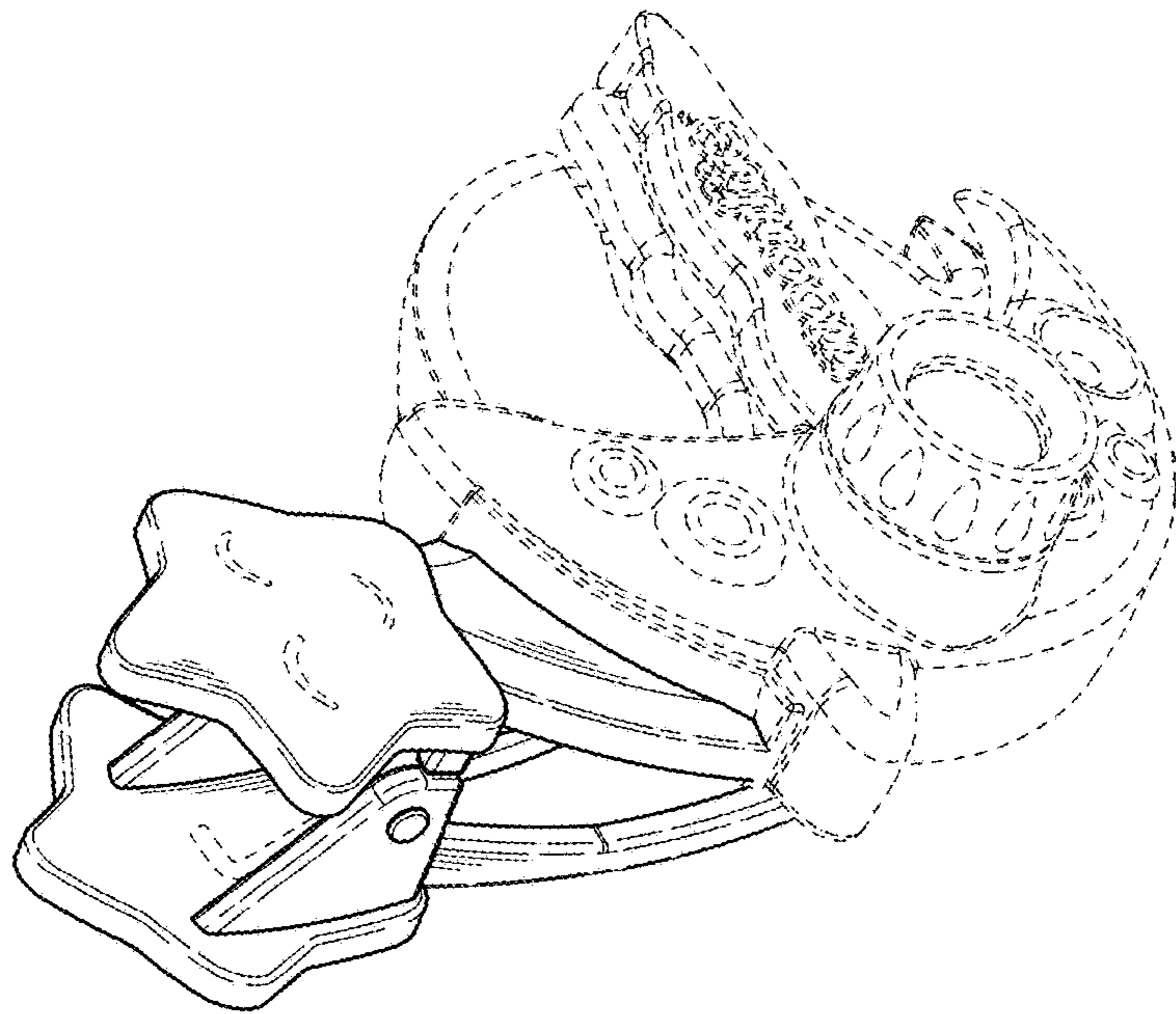


FIG. 1

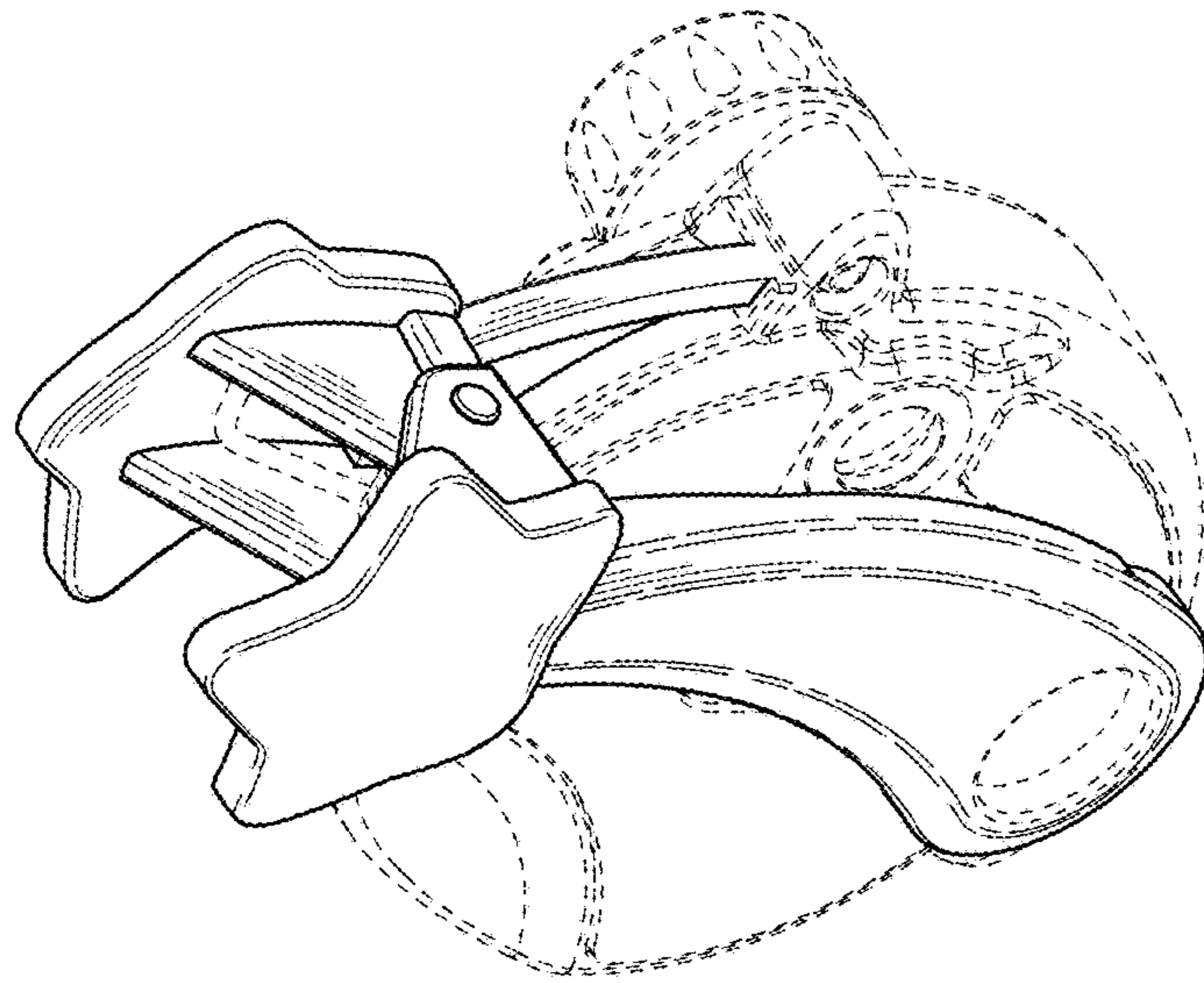


FIG. 4

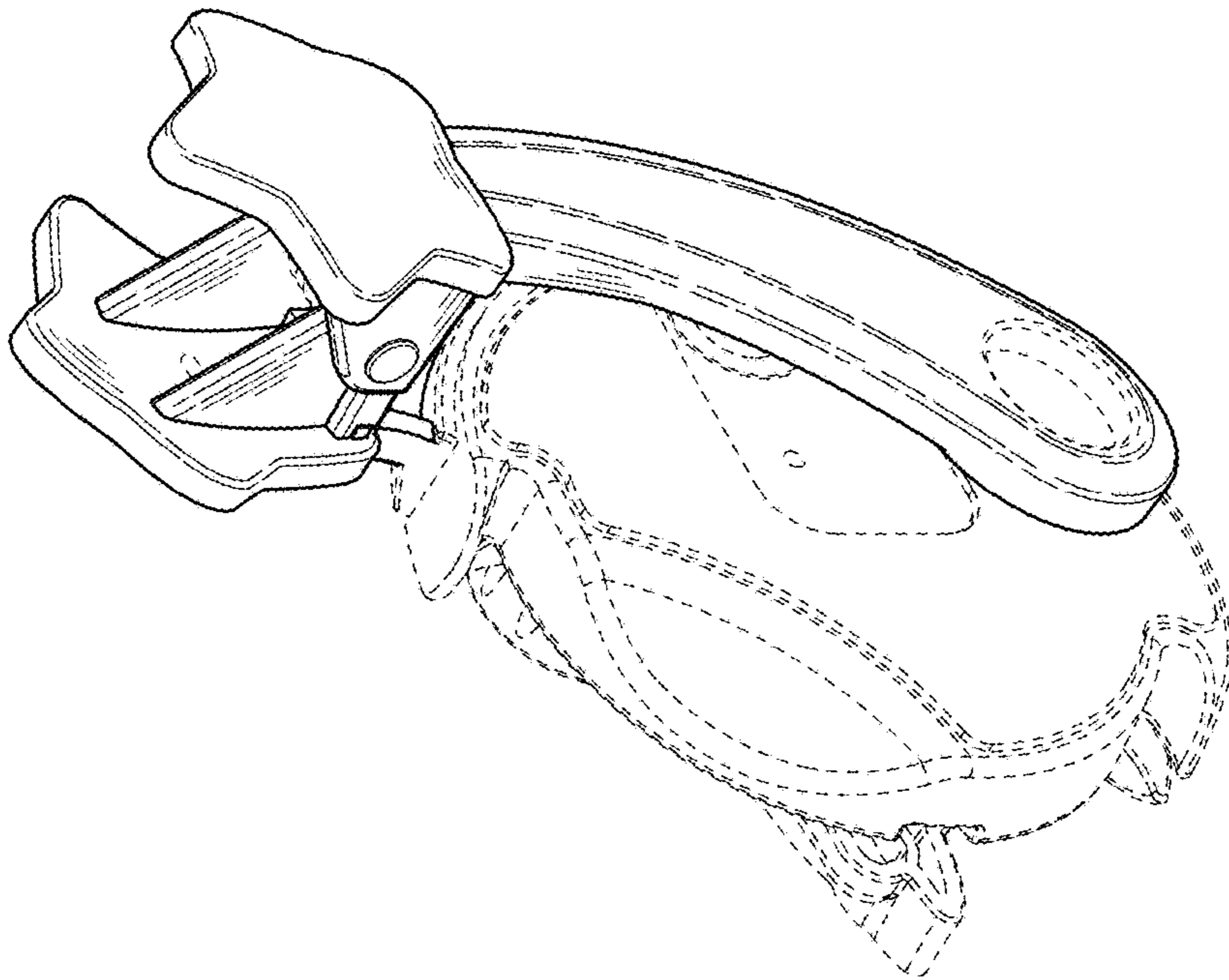


FIG. 3

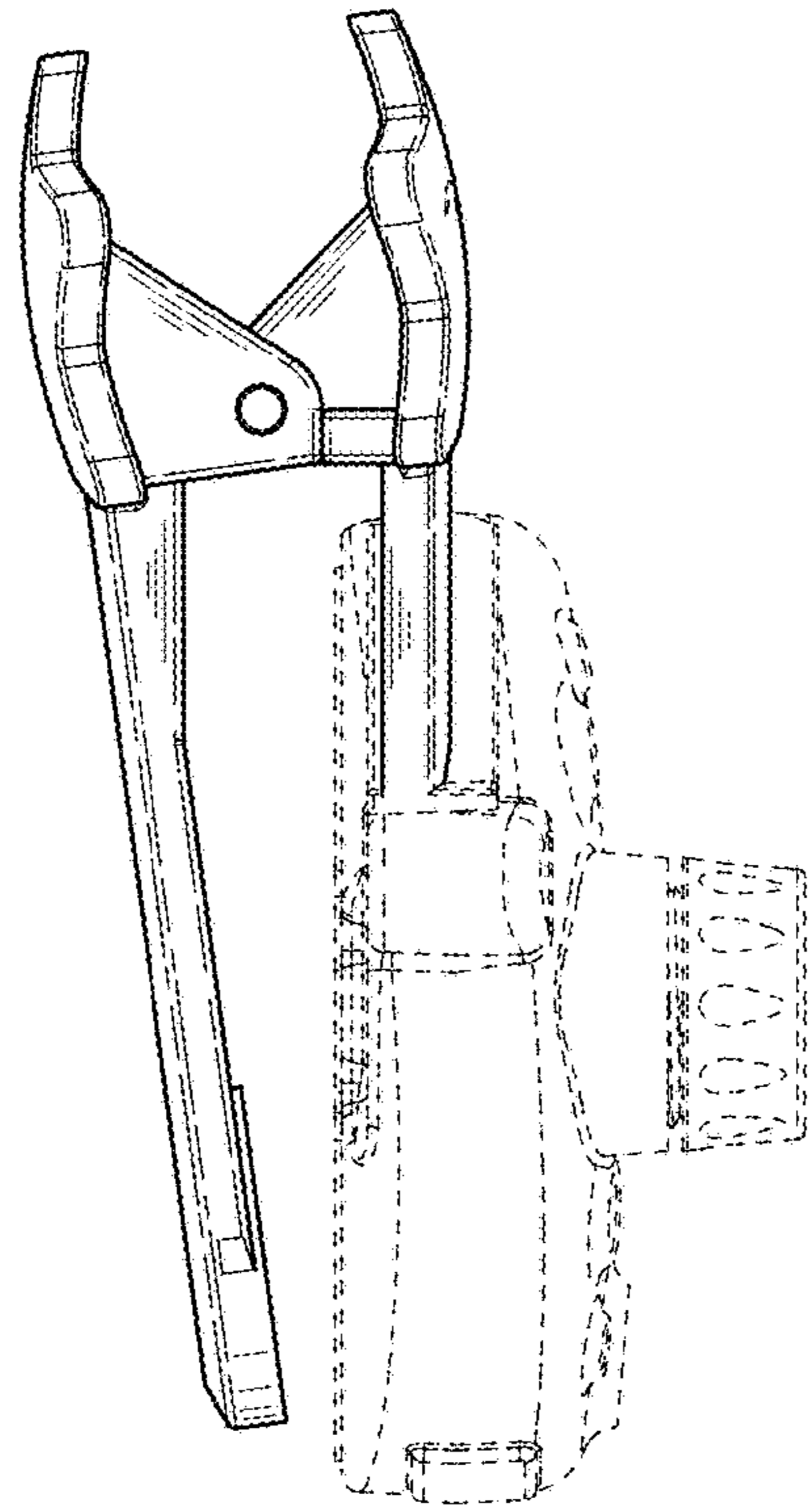


FIG. 6

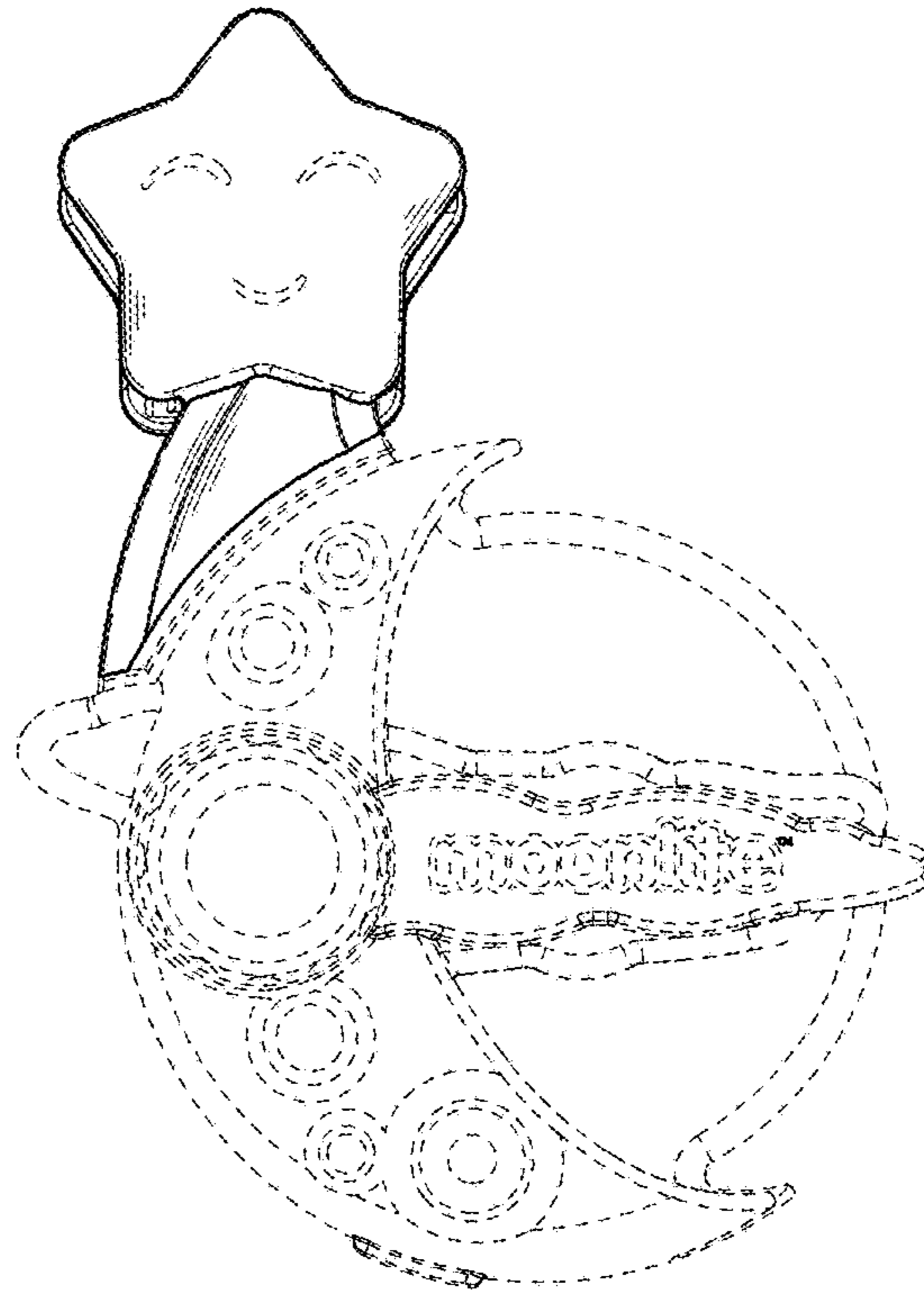


FIG. 5

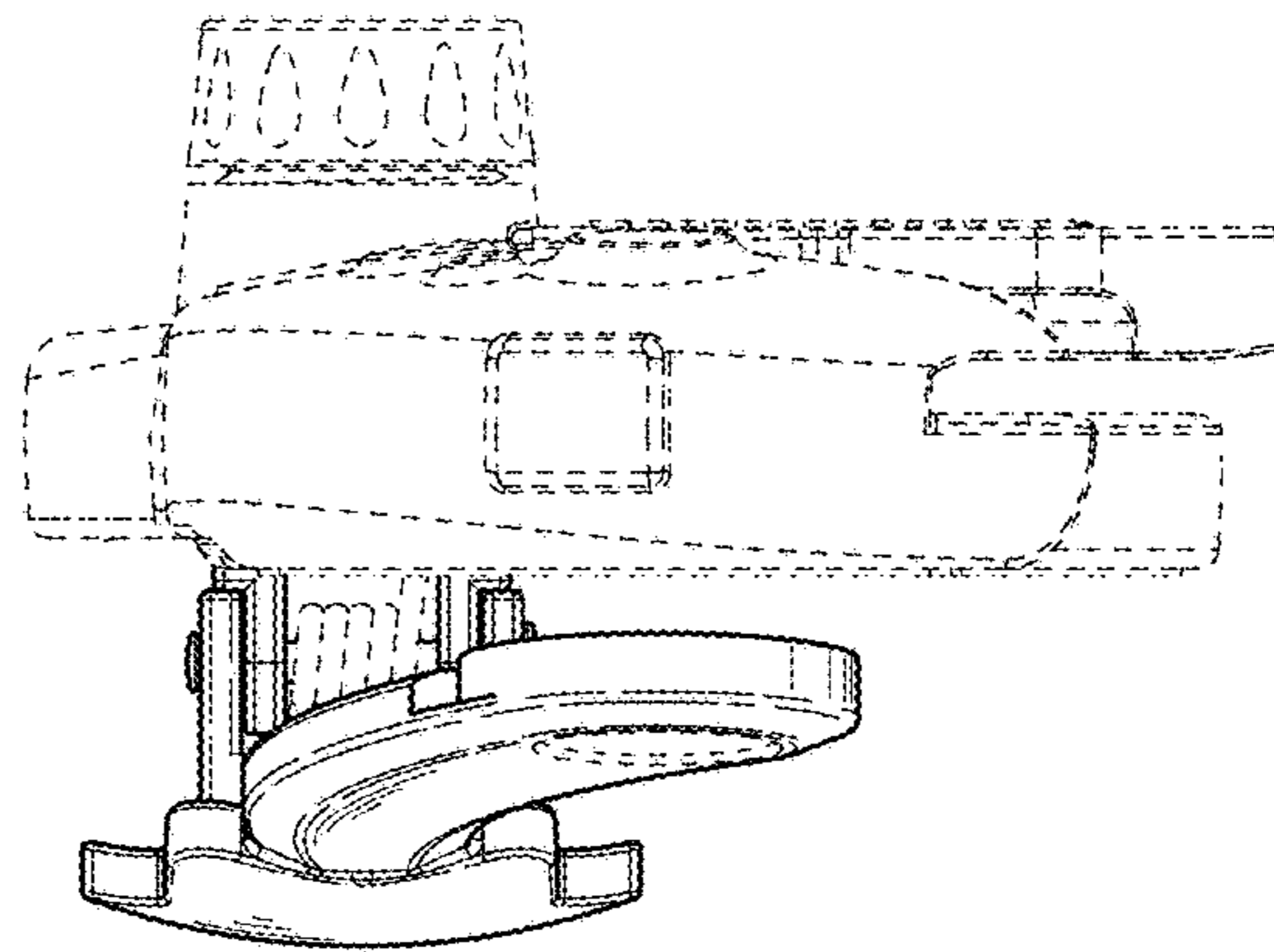


FIG. 7

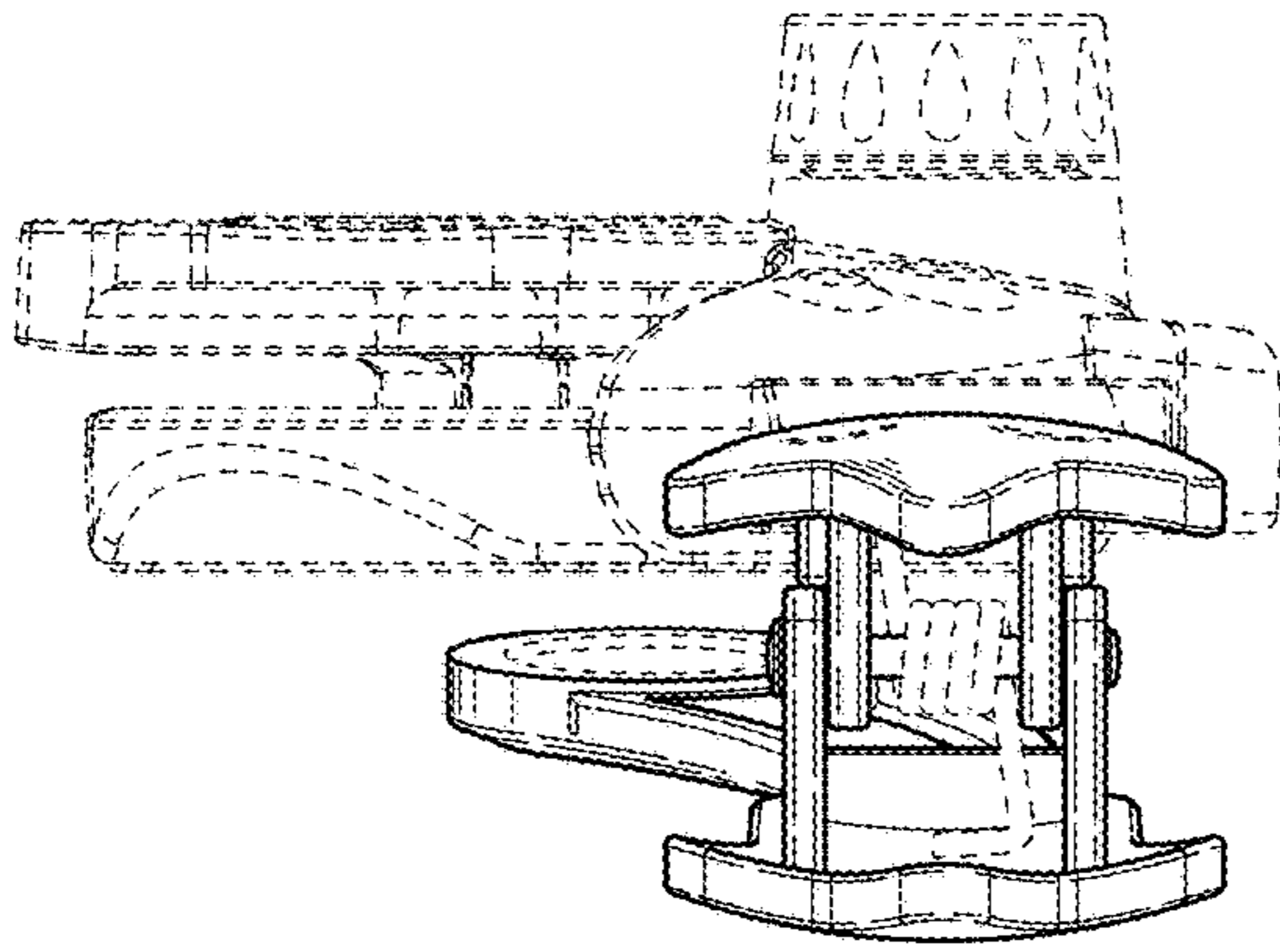


FIG. 10

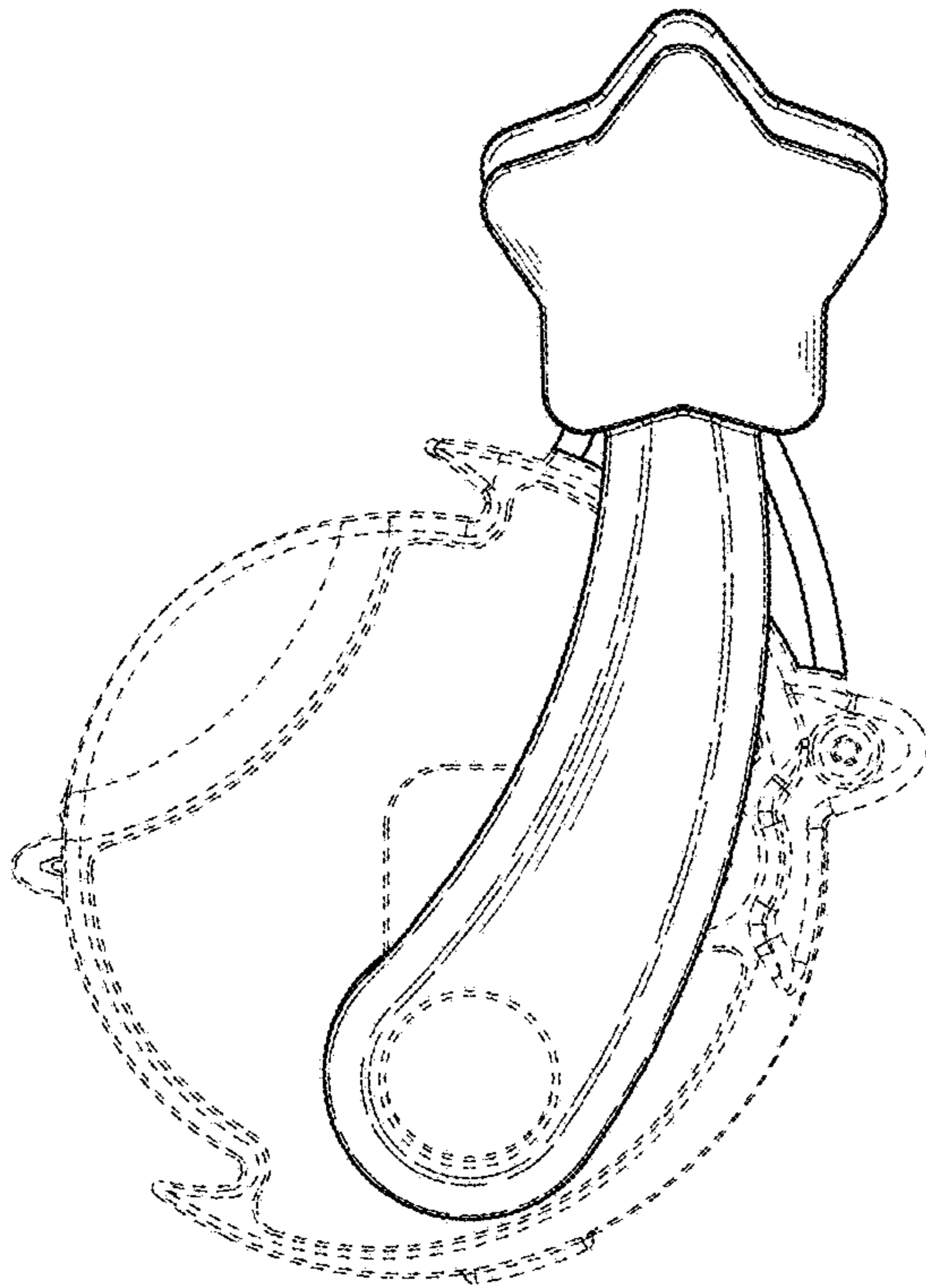


FIG. 8

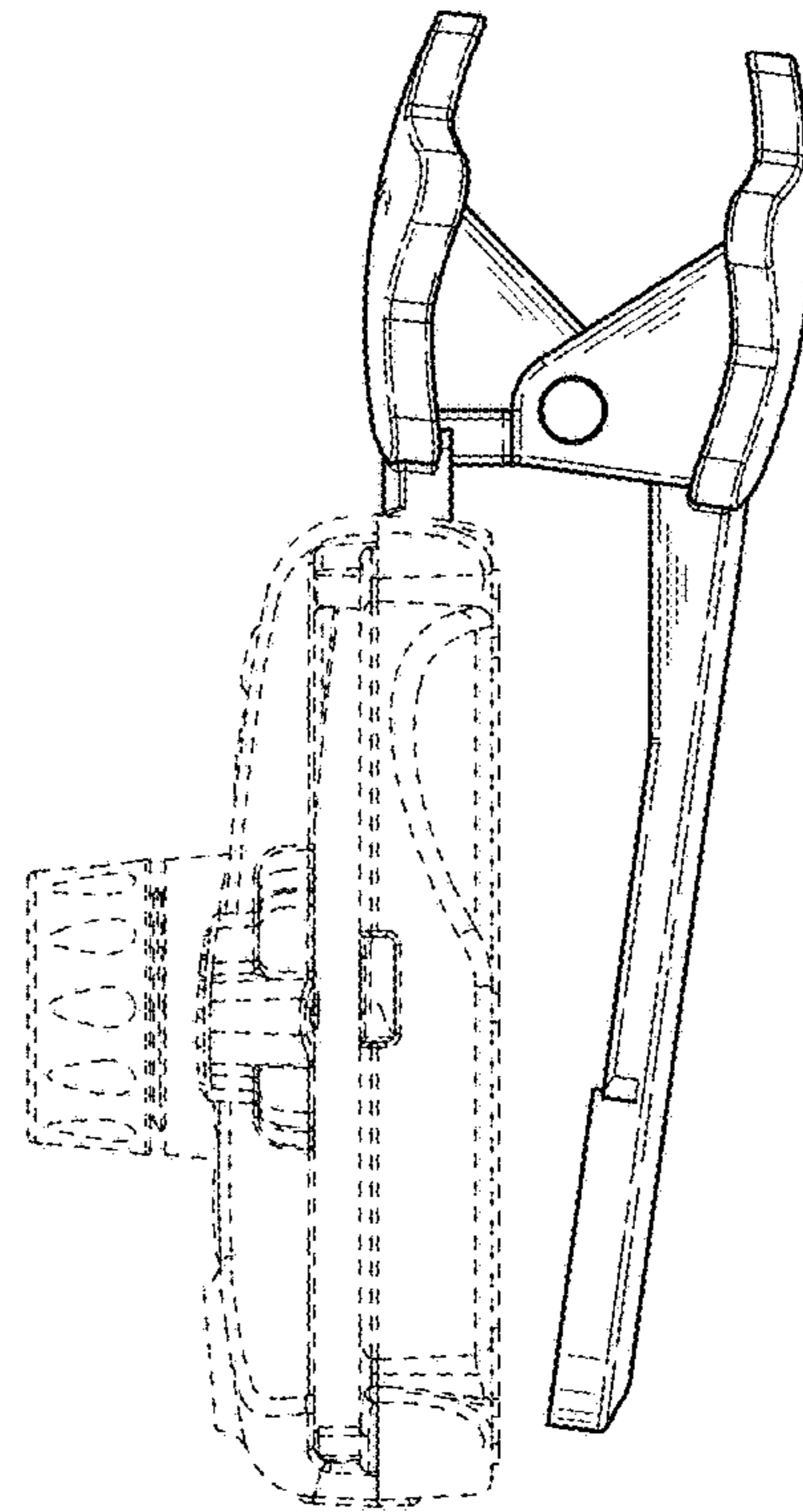


FIG. 9