



US00D857488S

(12) **United States Design Patent** (10) **Patent No.:** **US D857,488 S**
Singh (45) **Date of Patent:** **** Aug. 27, 2019**

- (54) **PANEL CLIP**
- (71) Applicant: **Joshua George Singh**, Calgary (CA)
- (72) Inventor: **Joshua George Singh**, Calgary (CA)
- (**) Term: **15 Years**
- (21) Appl. No.: **29/615,421**
- (22) Filed: **Aug. 29, 2017**
- (51) **LOC (12) Cl.** **08-08**
- (52) **U.S. Cl.**
USPC **D8/394**
- (58) **Field of Classification Search**
USPC D8/349, 354, 382, 384, 385, 394, 395,
D8/377, 388, 499
CPC Y10T 16/35; Y10T 24/10; Y10T 24/26;
Y10T 24/44; Y10T 24/44017; Y10T
24/44256; Y10T 24/44573; Y10T 24/50;
Y10T 24/2174; E04B 1/38; E04B 1/40;
E04B 1/54
See application file for complete search history.

(56) **References Cited**

U.S. PATENT DOCUMENTS

3,029,486	A	*	4/1962	Raymond	F16B 21/02
						174/138 D
D277,934	S	*	3/1985	Beckrot	D8/382
D301,832	S	*	6/1989	Hathaway	D8/349
D358,544	S	*	5/1995	Esworthy	D12/49
D444,375	S	*	7/2001	Møller	D8/349
D550,548	S	*	9/2007	Yamamoto	D8/394
D583,225	S	*	12/2008	McNeill	D8/394

D623,933	S	*	9/2010	Mallin	D8/394
D654,349	S	*	2/2012	Schopf	D8/354
D658,481	S	*	5/2012	Pratt	D8/349
D679,170	S	*	4/2013	Else	D8/349
D707,105	S	*	6/2014	Irving	D8/354
D722,493	S	*	2/2015	Ramsauer	D8/395
D734,130	S	*	7/2015	Ito	D8/354
D752,952	S	*	4/2016	Barz	D8/349
D783,385	S	*	4/2017	Zhu	D8/349
9,834,934	B1	*	12/2017	Hodges, Jr.	E04D 3/364
D840,217	S	*	2/2019	Veilleux	D8/394
2018/0058063	A1	*	3/2018	Delfino	F16B 2/241

* cited by examiner

Primary Examiner — John Windmuller

Assistant Examiner — Steven J Czyz

(74) *Attorney, Agent, or Firm* — Tai W. Nahm; Miller Thomson LLP

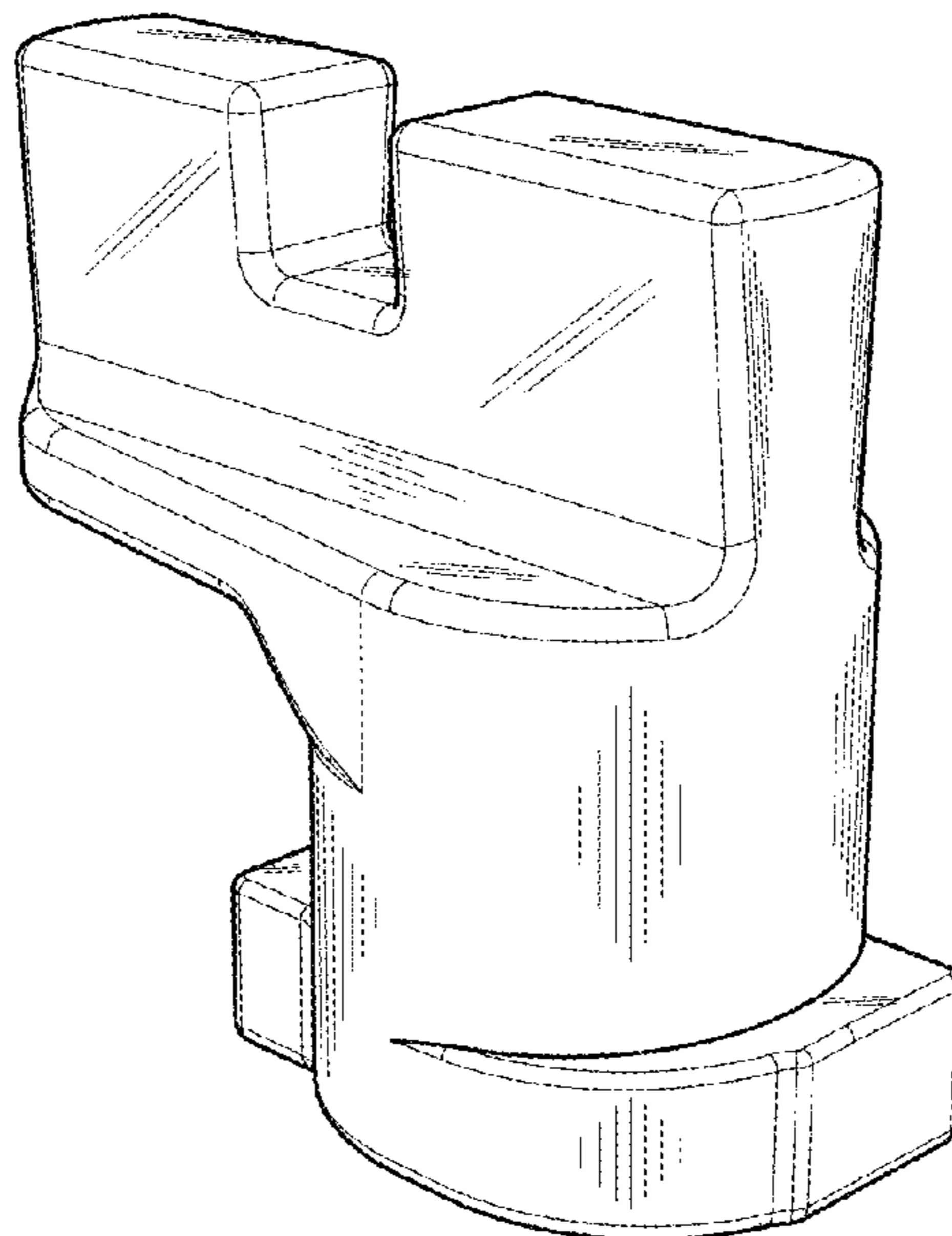
(57) **CLAIM**

The ornamental design for a panel clip, as shown and described.

DESCRIPTION

FIG. 1 is a top front left perspective view of a panel clip comprising a new design;
 FIG. 2 is a top rear left perspective view thereof;
 FIG. 3 is a top rear right perspective view thereof;
 FIG. 4 is a top view thereof;
 FIG. 5 is a bottom view thereof;
 FIG. 6 is a front plan view thereof;
 FIG. 7 is a rear plan view thereof;
 FIG. 8 is a right side plan view thereof; and,
 FIG. 9 is a left side plan view thereof.

1 Claim, 4 Drawing Sheets



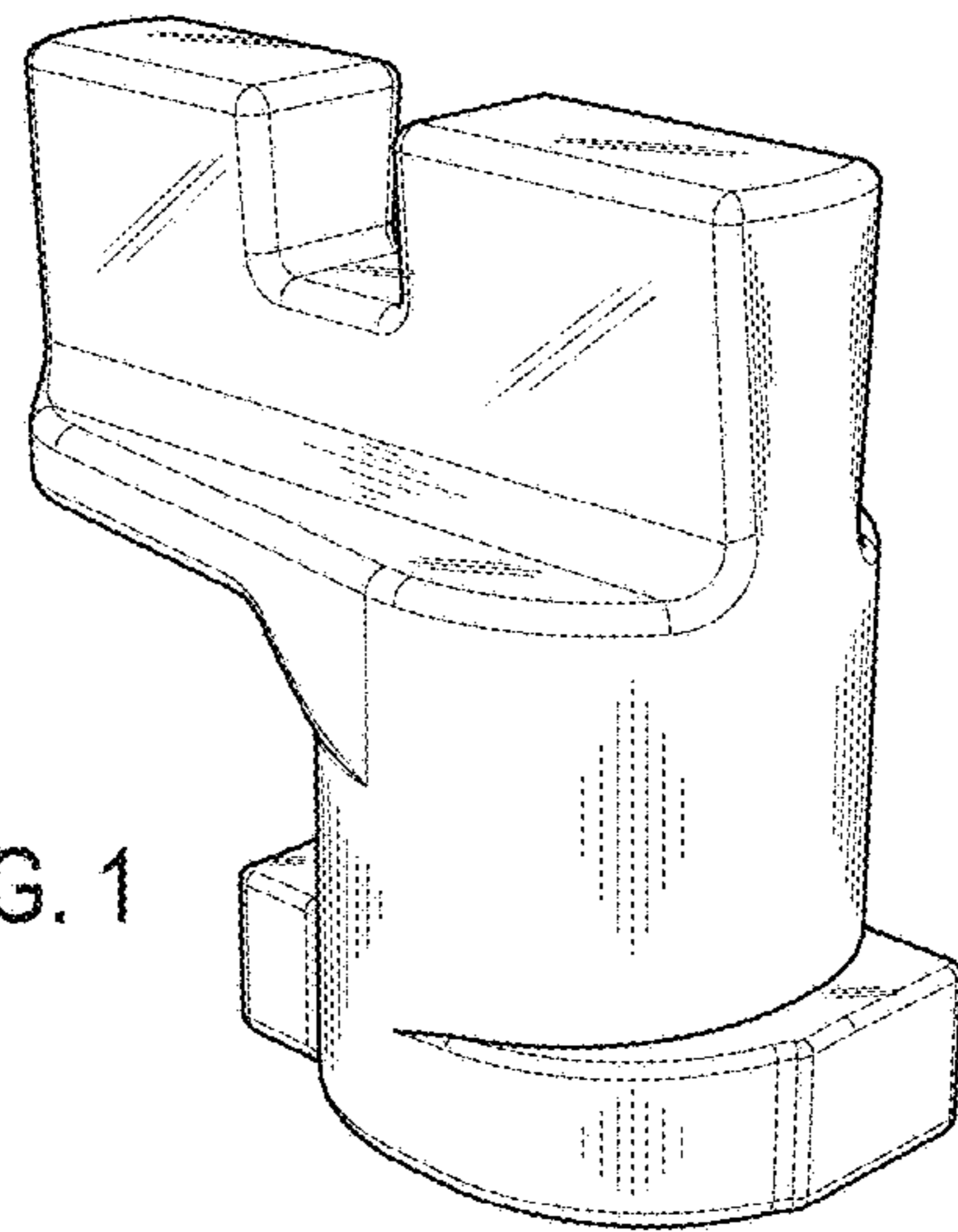


FIG. 1

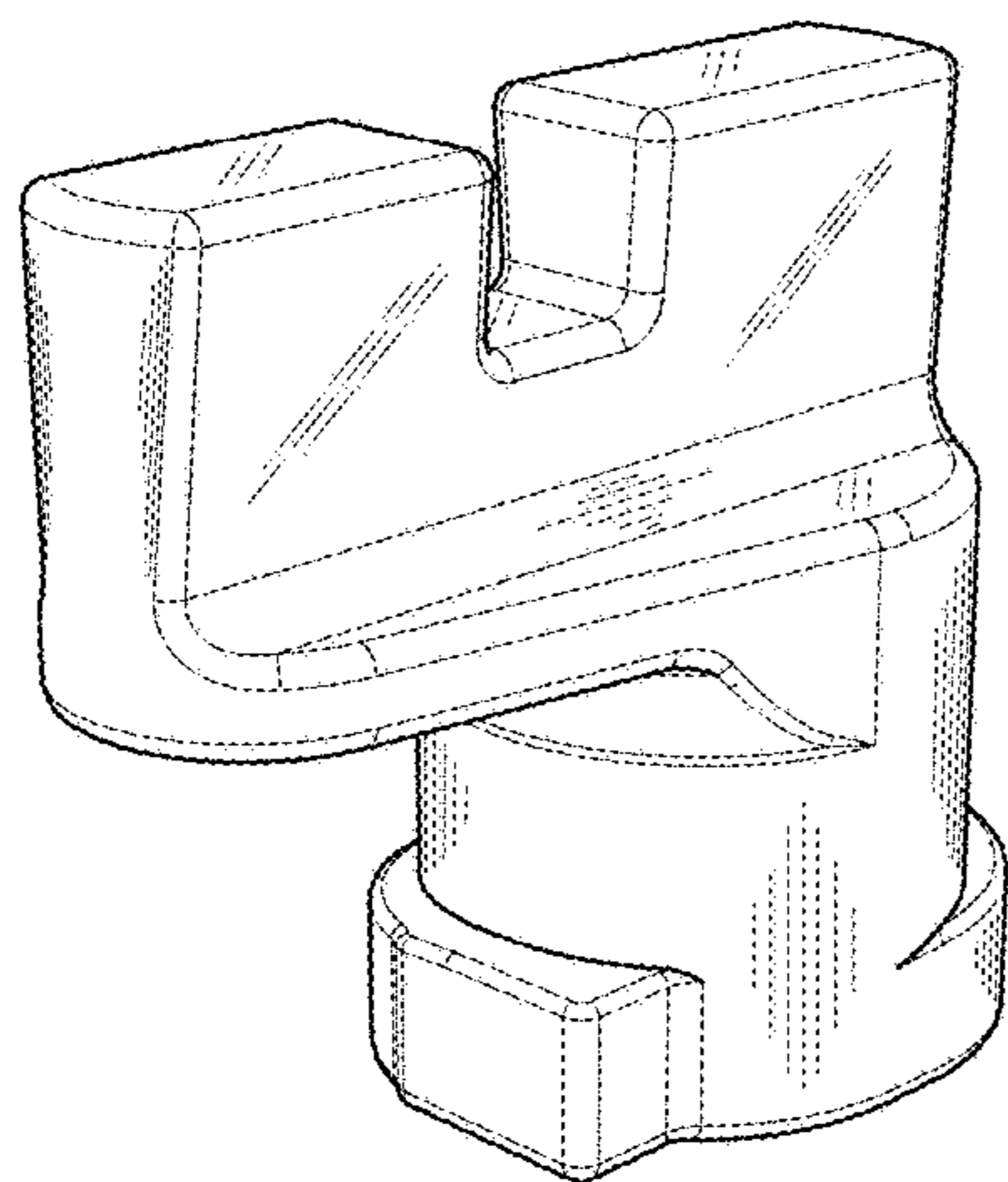


FIG. 2

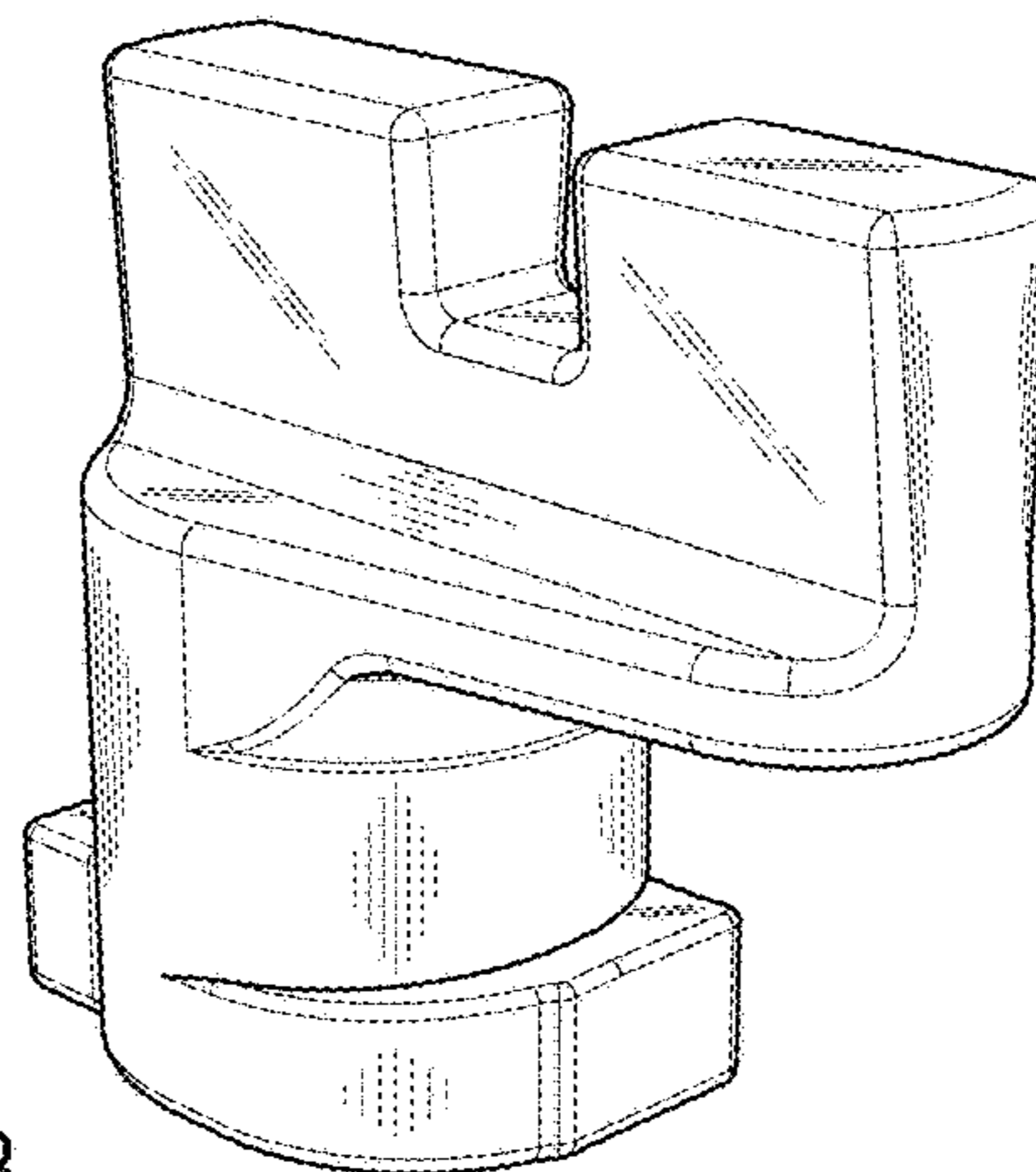


FIG. 3

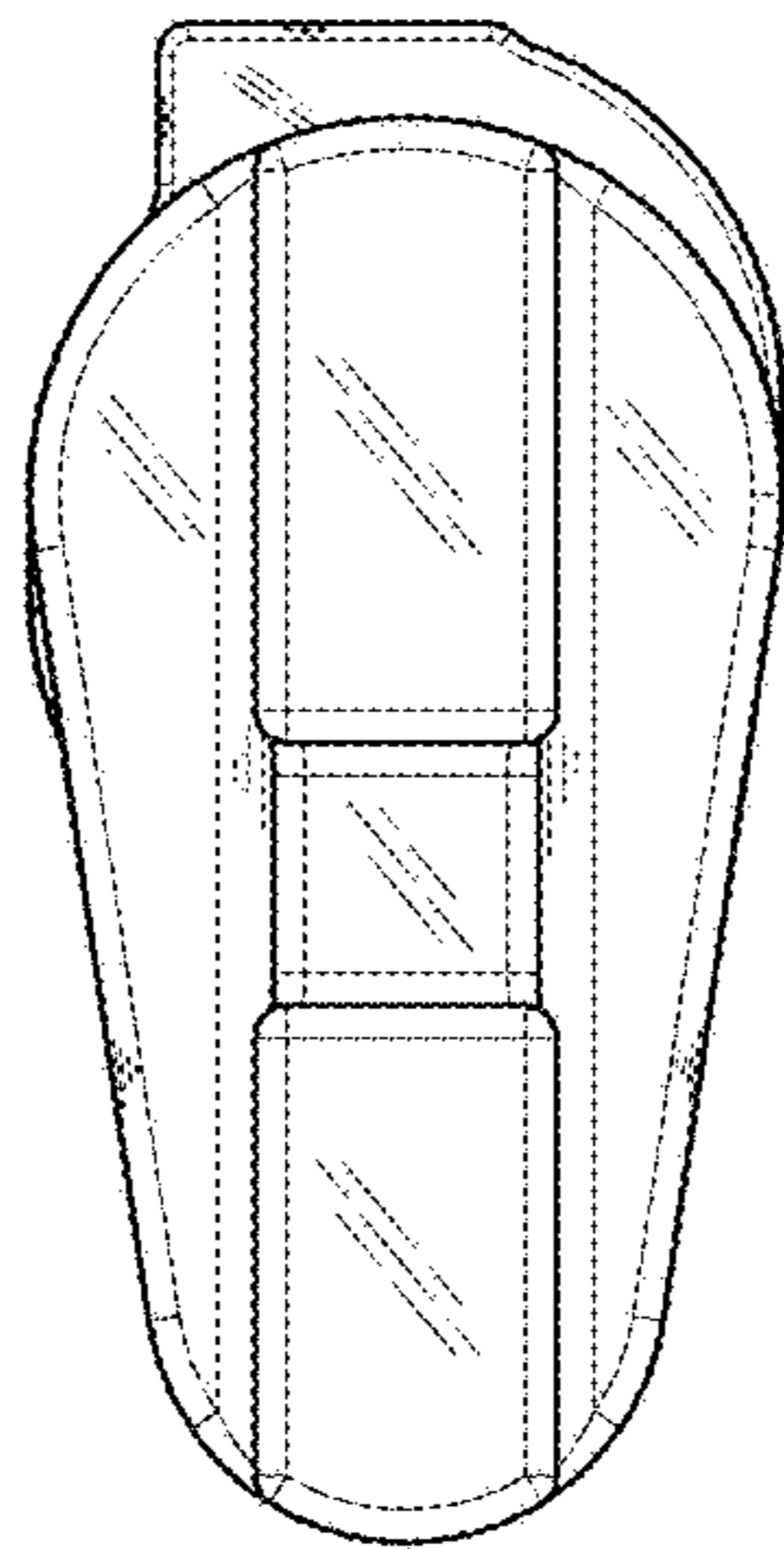


FIG. 4

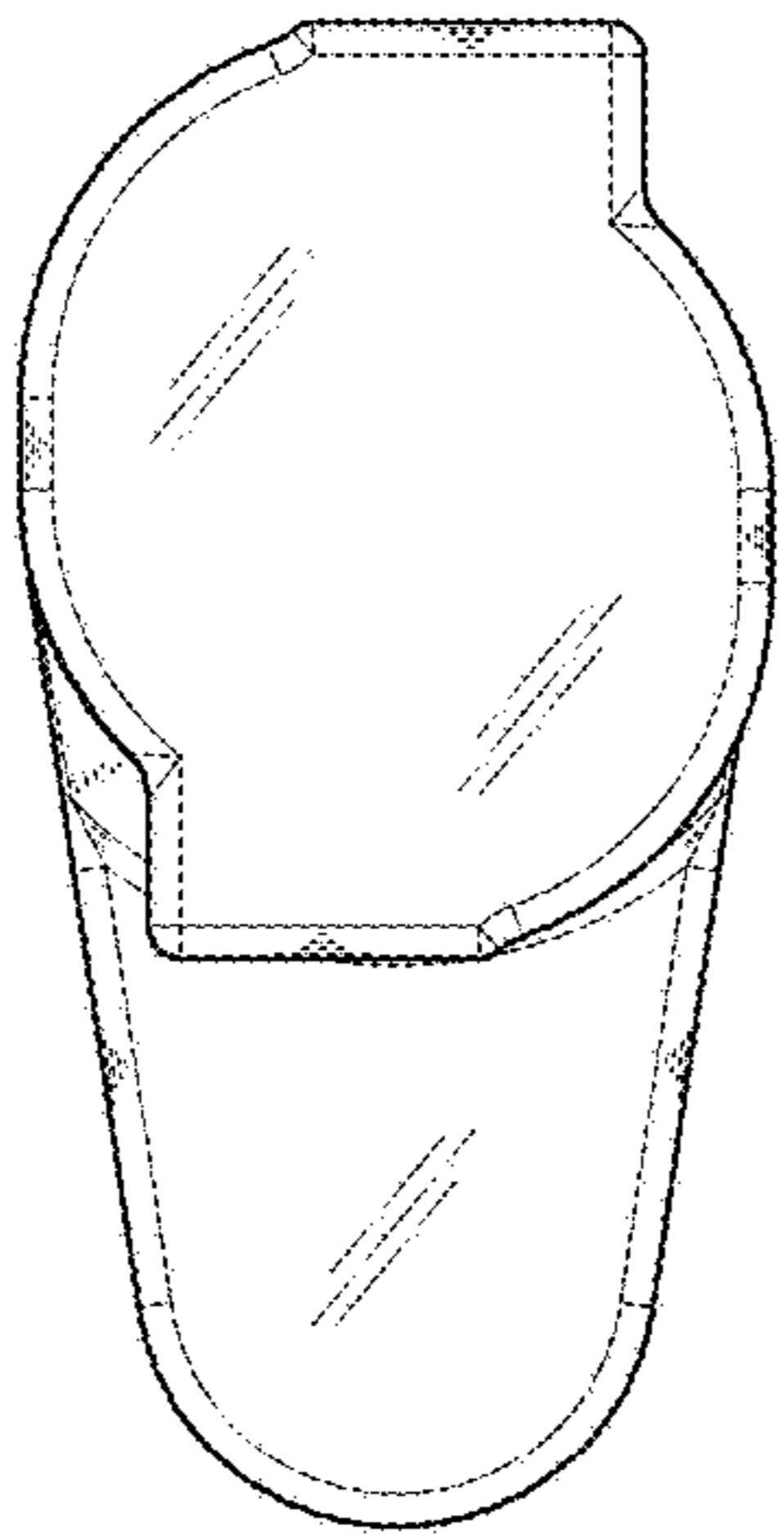


FIG. 5

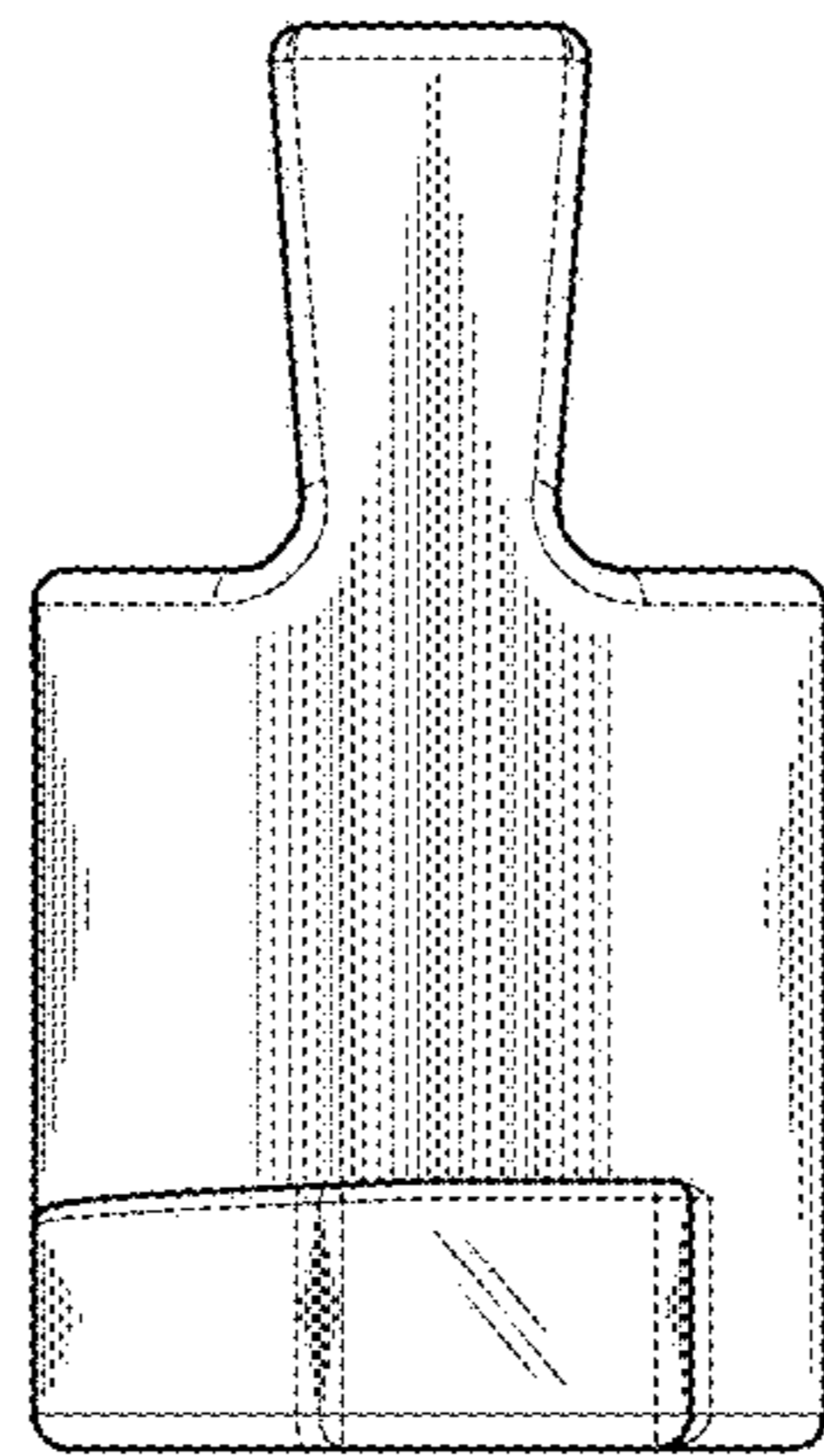


FIG. 6

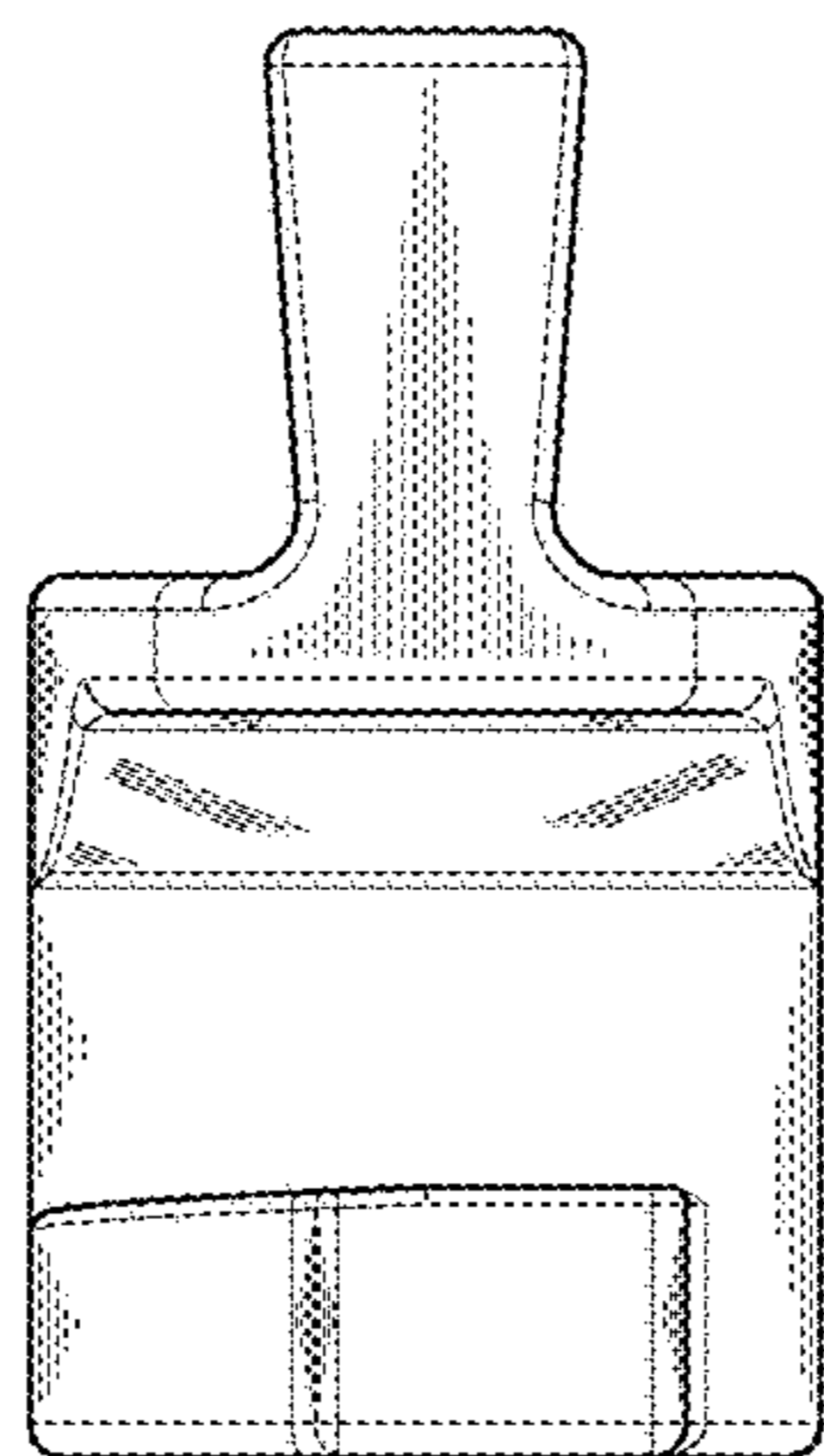


FIG. 7

