



US00D857486S

(12) **United States Design Patent**
Pista et al.

(10) **Patent No.:** **US D857,486 S**
(45) **Date of Patent:** **** Aug. 27, 2019**

- (54) **SCREW** 3,343,581 A * 9/1967 Martin F16B 5/0208
292/251
- (71) Applicant: **Cisco Technology, Inc.**, San Jose, CA (US) D268,650 S 4/1983 Kirstine
D268,905 S 5/1983 Douglas
- (72) Inventors: **Alex Pista**, San Jose, CA (US); D270,642 S * 9/1983 Watts D15/126
Michael Lenz, Lake Oswego, OR (US);
Paolo Sandro Trevisan, Miami, FL D283,591 S * 4/1986 Swanstrom D8/382
(US); **Francisco Barboza**, Miami, FL D299,699 S 2/1989 Ask
(US) D323,617 S * 2/1992 Miller D9/453
D388,316 S * 12/1997 McDonough D8/310
D418,390 S * 1/2000 Marquis D8/312
6,644,903 B1 * 11/2003 Arand F16B 5/0208
411/107
- (73) Assignee: **CISCO TECHNOLOGY, INC.**, San D551,958 S 10/2007 Chen
Jose, CA (US) D591,144 S * 4/2009 Hennessey D8/387
D736,358 S 8/2015 Melo
D757,546 S 5/2016 Seifer
D779,837 S 2/2017 Lin
D796,326 S 9/2017 Ichikawa
D834,404 S * 11/2018 Pista D8/387
- (**) Term: **15 Years**
- (21) Appl. No.: **29/667,453**
- (22) Filed: **Oct. 22, 2018**

Related U.S. Application Data

- (62) Division of application No. 29/547,024, filed on Nov. 30, 2015, now Pat. No. Des. 834,404.
- (51) **LOC (12) Cl.** **08-08**
- (52) **U.S. Cl.**
USPC **D8/387**
- (58) **Field of Classification Search**
USPC D8/349, 354, 382, 387, 395, 499, 300,
D8/307, 321, 322; D9/434, 435, 452,
D9/453, 499
CPC F16B 41/002; F16B 5/0208; F16B 39/28;
Y10S 411/97; Y10S 411/999; B65D
41/02; B65D 41/04; A61J 1/00; A61J
1/03
See application file for complete search history.

References Cited

U.S. PATENT DOCUMENTS

- 3,180,389 A * 4/1965 Charles F16B 5/0208
411/350
- 3,244,212 A * 4/1966 Barry F16B 41/002
411/361

Primary Examiner — Sandra S Snapp

Assistant Examiner — Ieisha N Price

(74) *Attorney, Agent, or Firm* — Polsinelli PC

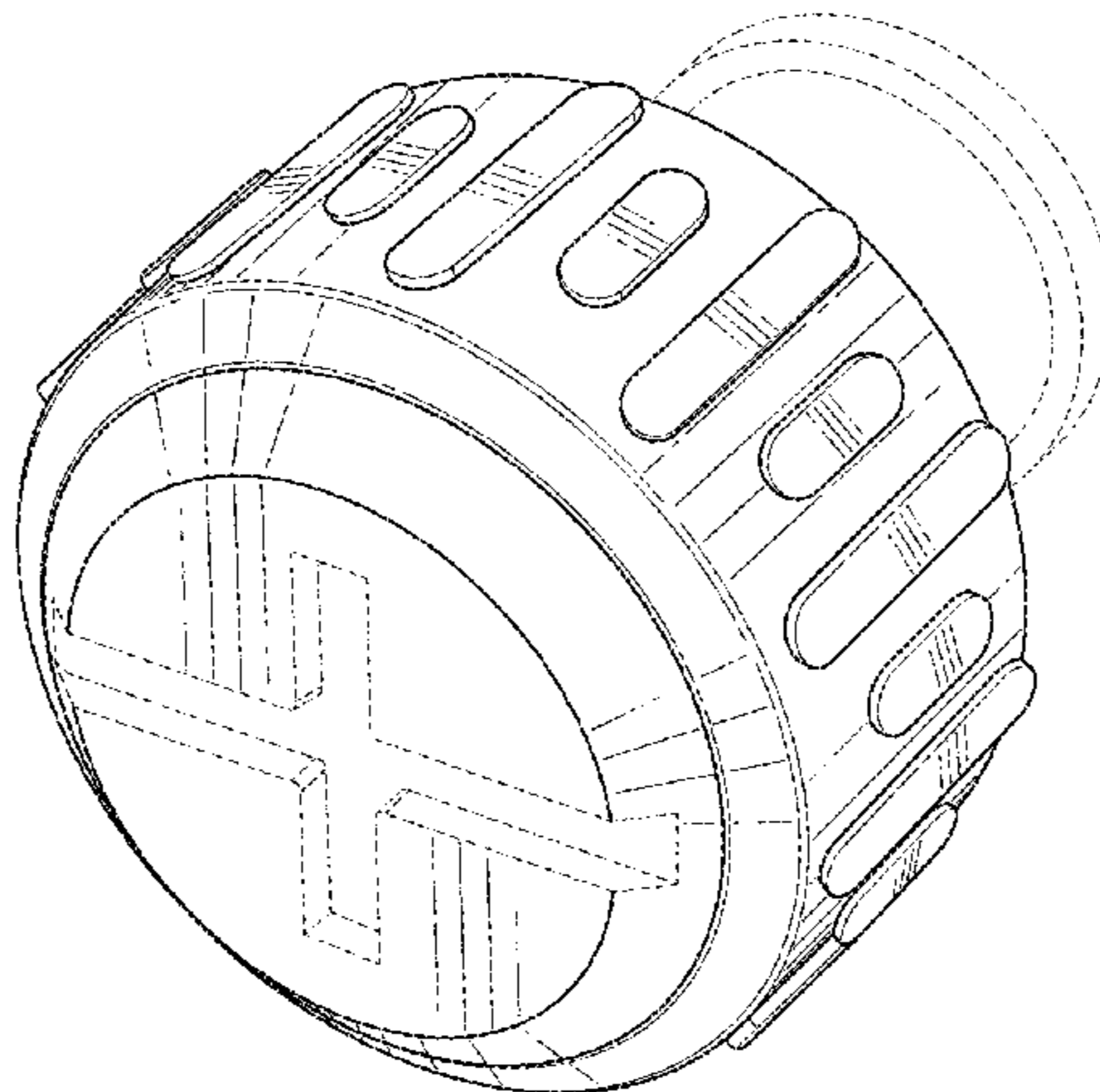
(57) **CLAIM**

We claim the ornamental design for a screw, as shown and described.

DESCRIPTION

FIG. 1 is a perspective view of a screw, showing our new design;
 FIG. 2 is a top plan view thereof;
 FIG. 3 is a bottom plan view thereof;
 FIG. 4 is a front elevational view thereof;
 FIG. 5 is a rear elevational view thereof;
 FIG. 6 is a left side elevational view thereof; and,
 FIG. 7 is a right side elevational view thereof.
 The broken lines in the drawings illustrate portions of the screw and form no part of the claimed design.

1 Claim, 7 Drawing Sheets



(56)

References Cited

U.S. PATENT DOCUMENTS

2005/0236425 A1 10/2005 Casale
2009/0317208 A1 12/2009 Wang
2010/0088886 A1 4/2010 Wang
2011/0072630 A1 3/2011 Bentrin
2014/0119850 A1* 5/2014 Bentrin F16B 29/00
411/22
2014/0314516 A1* 10/2014 Bowers F16B 37/067
411/344
2015/0260216 A1 9/2015 Tseng
2015/0292538 A1 10/2015 He
2017/0074303 A1 3/2017 Bowers

* cited by examiner

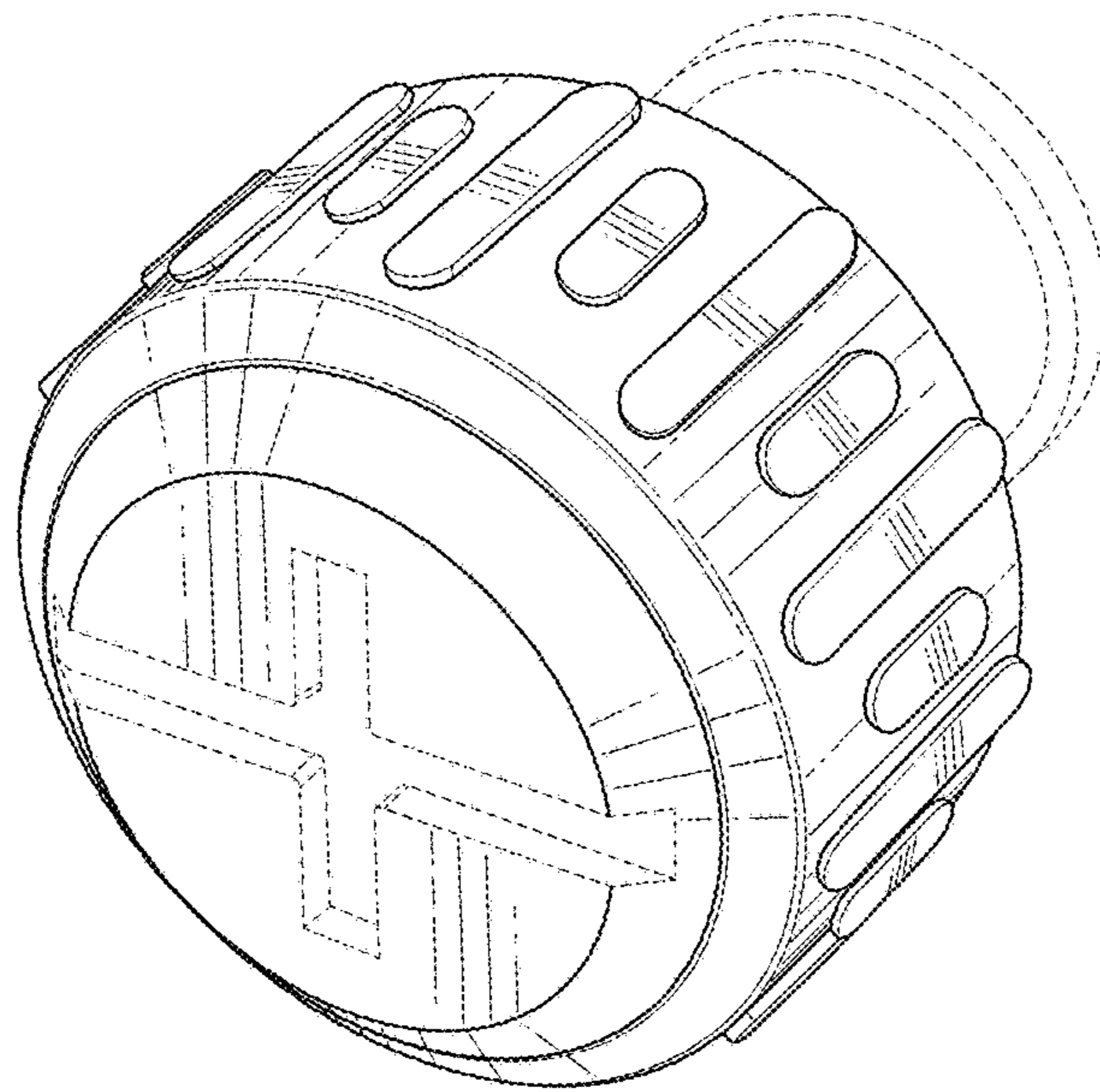


FIG. 1

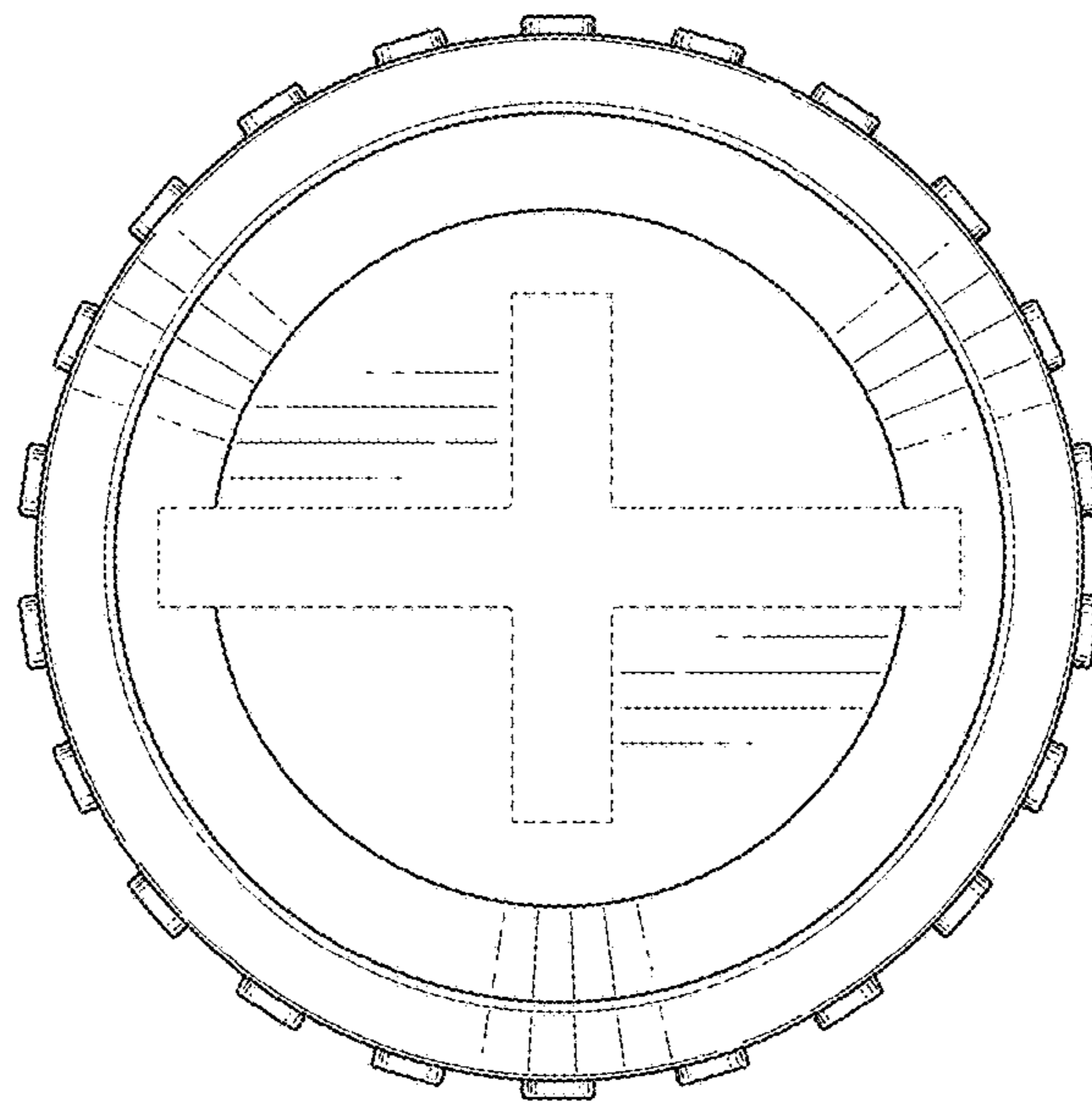


FIG. 2

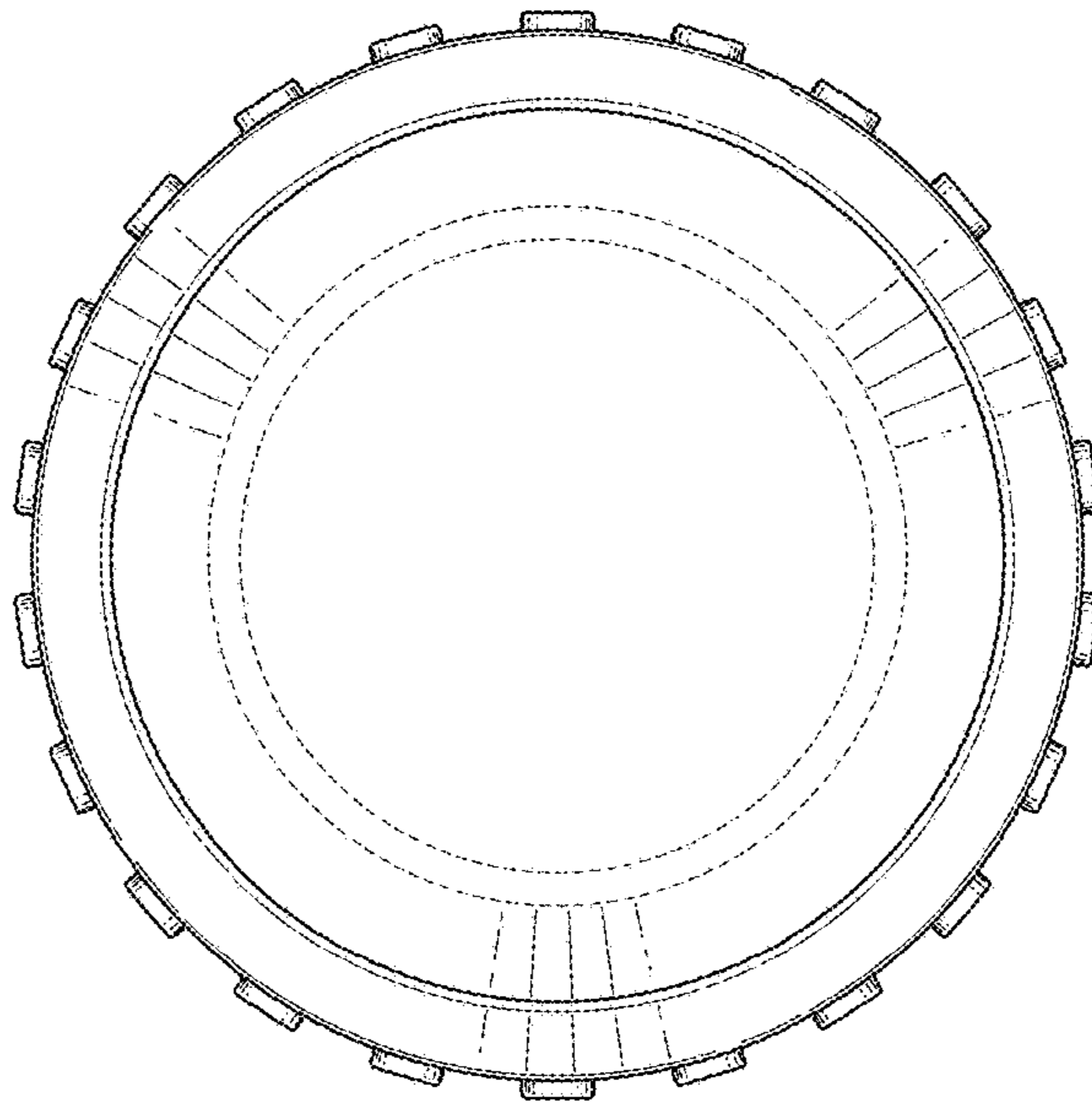


FIG. 3

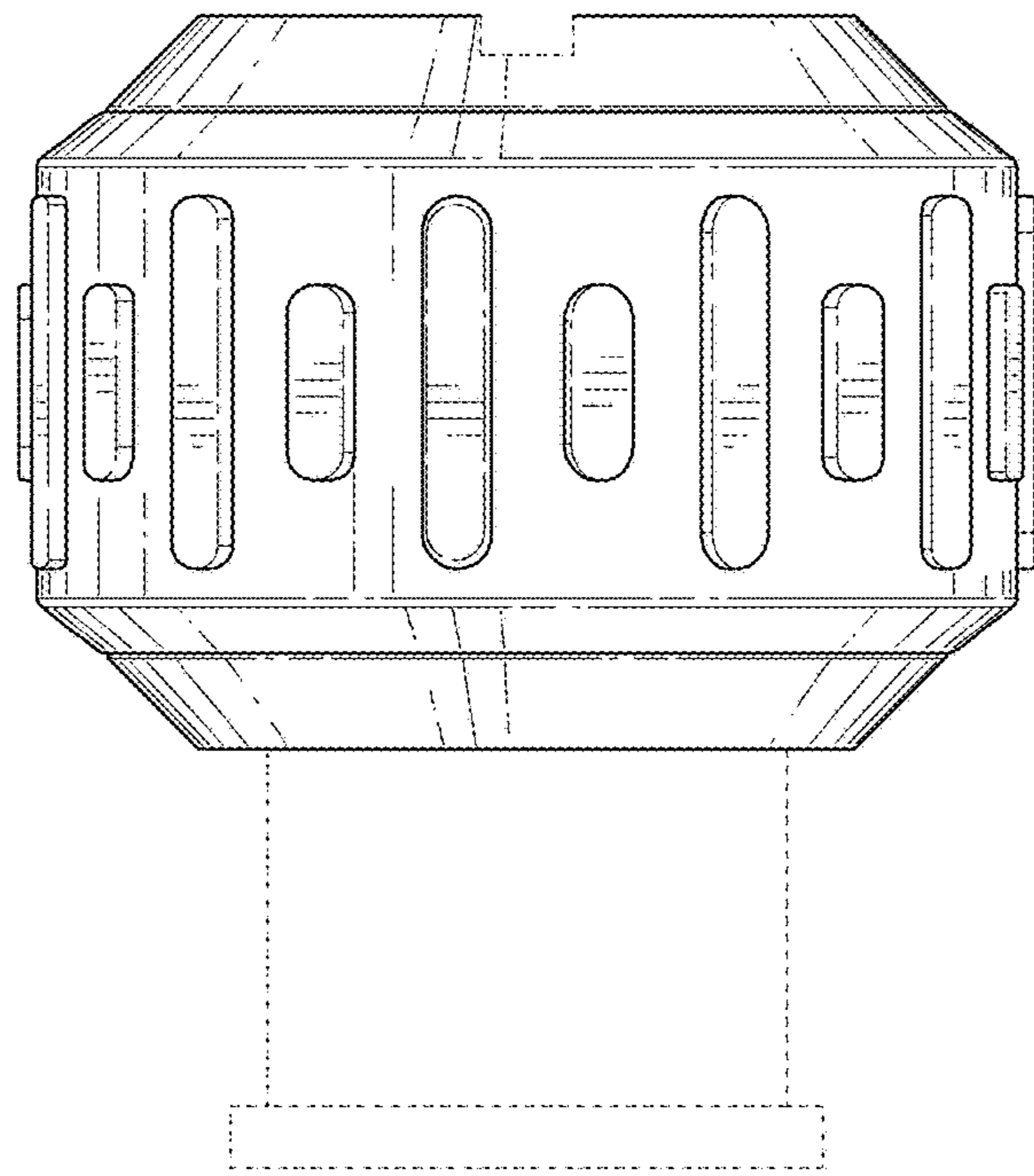


FIG. 4

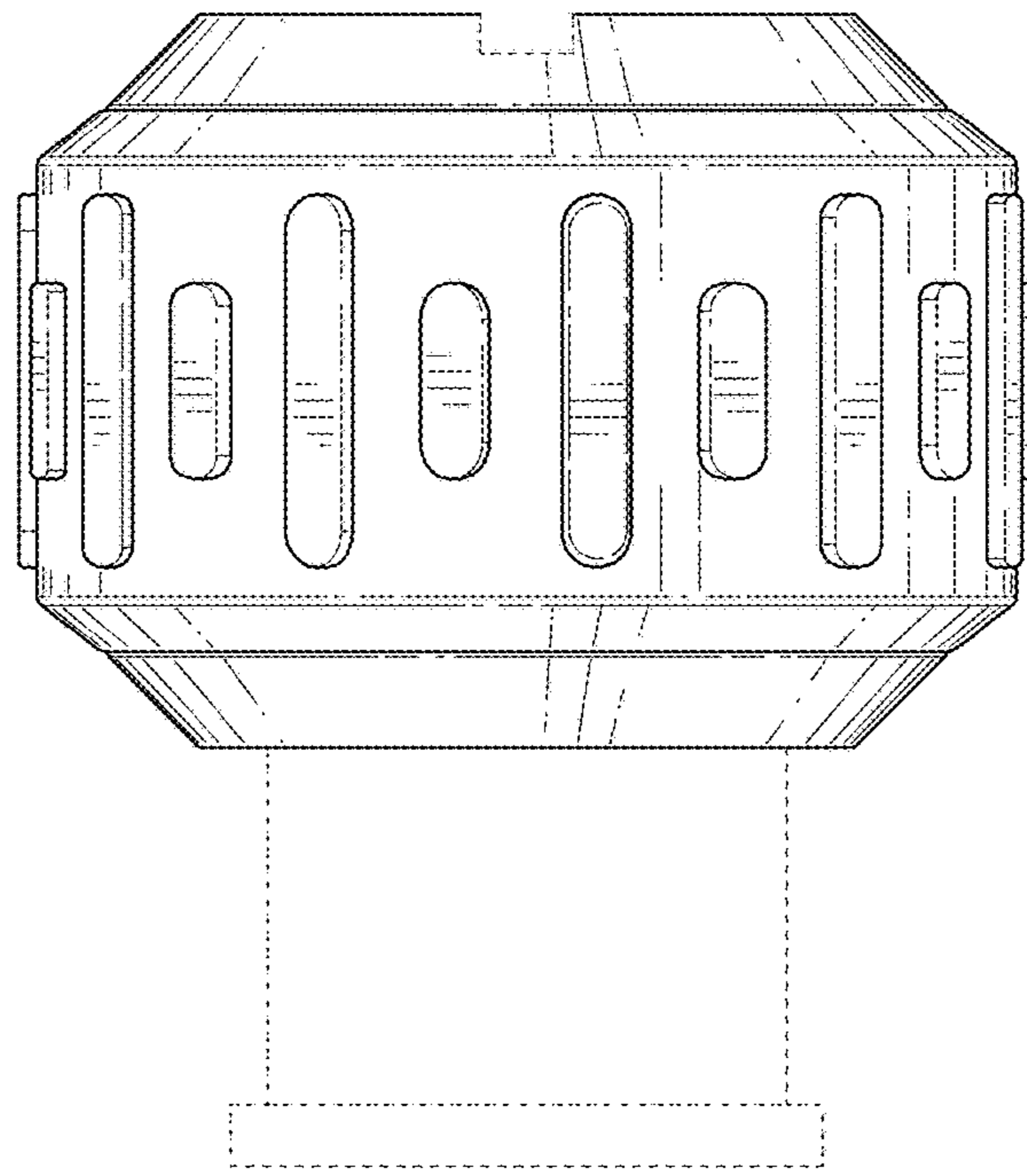


FIG. 5

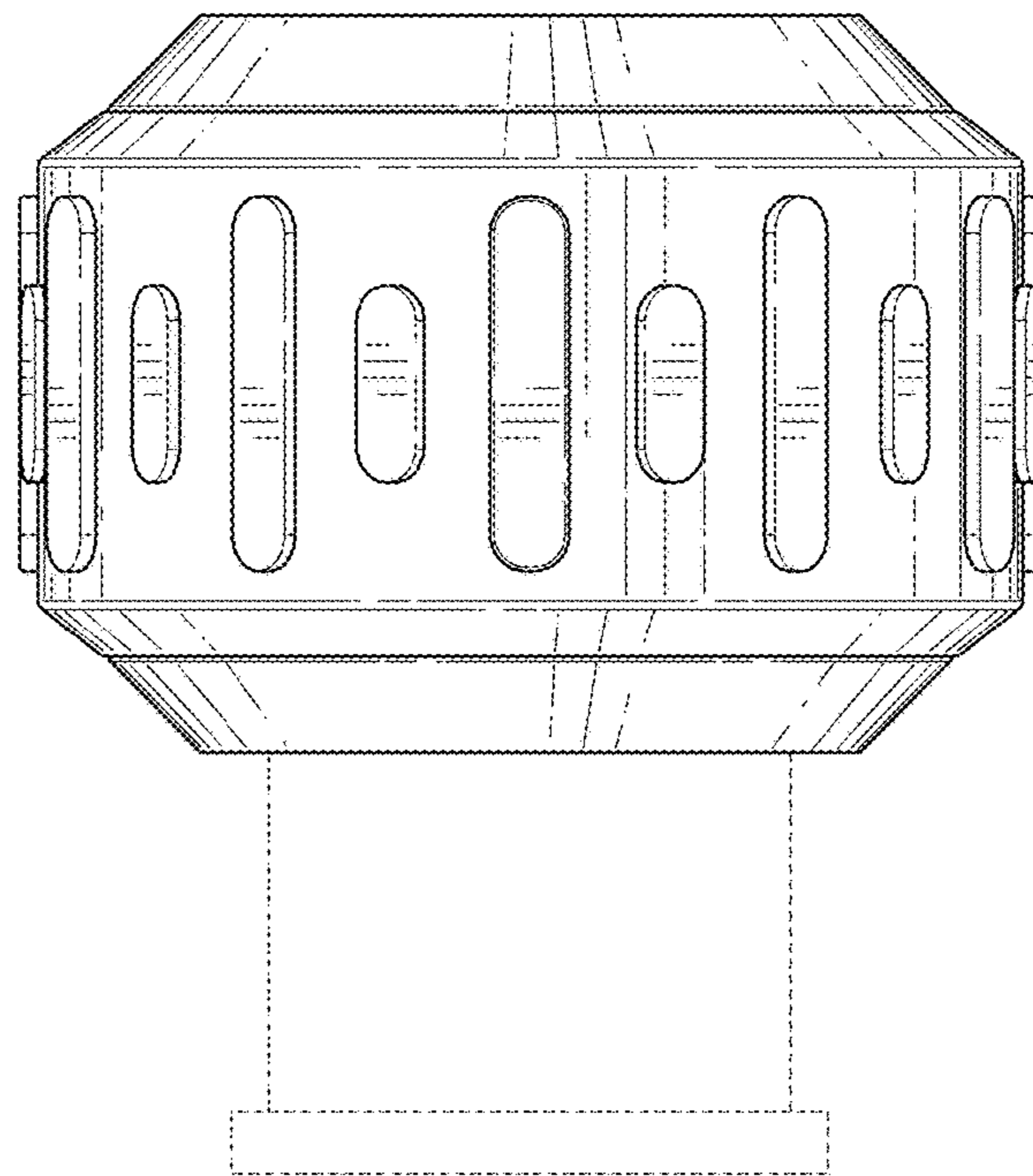


FIG. 6

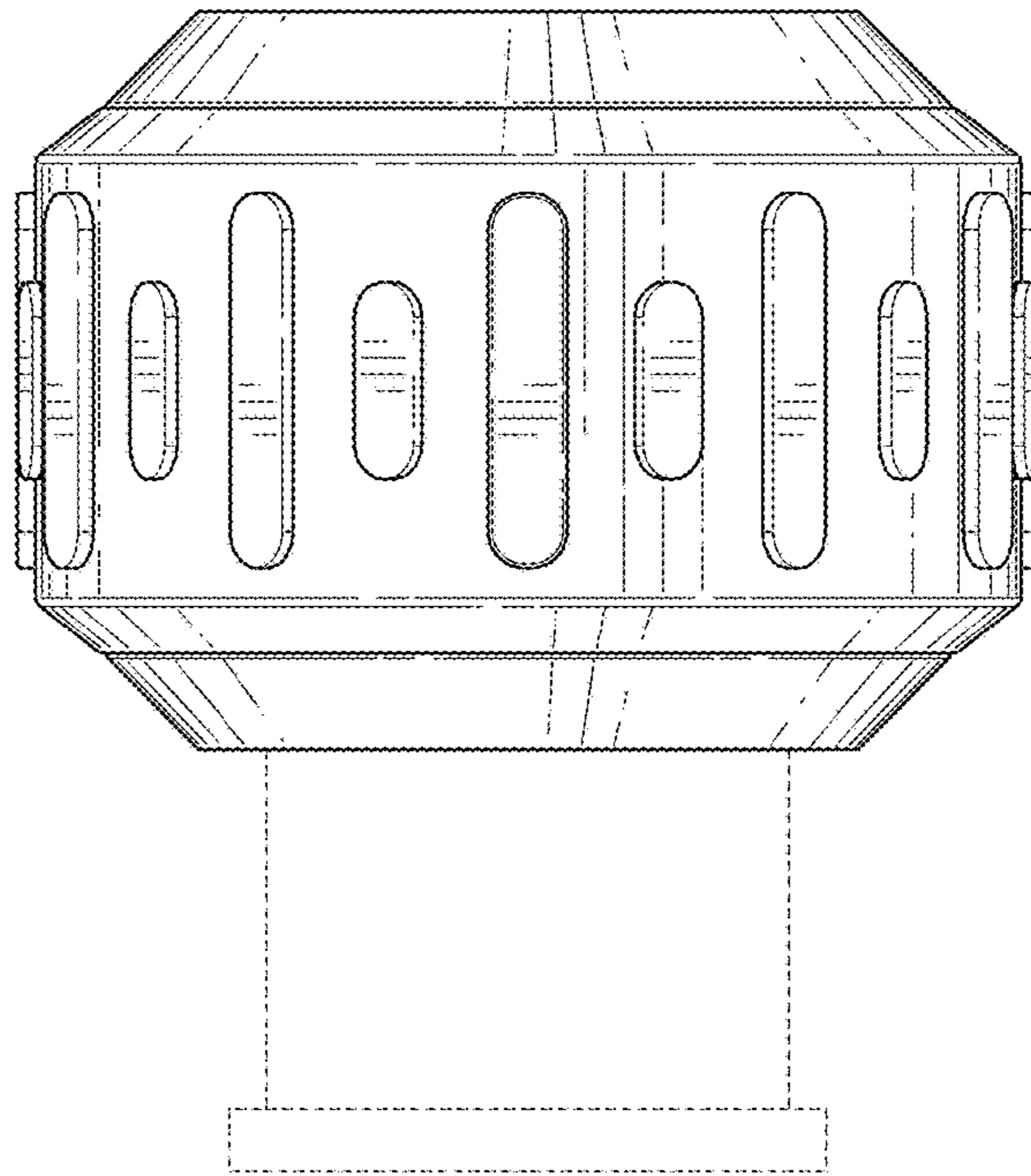


FIG. 7