



US00D857485S

(12) **United States Design Patent** (10) **Patent No.:** **US D857,485 S**
Weber (45) **Date of Patent:** **** Aug. 27, 2019**

- (54) **FLEX FORK WHEEL SUPPORT ASSEMBLY**
- (71) Applicant: **Reliable Production Machining & Welding**, Kendallville, IN (US)
- (72) Inventor: **Clay C. Weber**, LaOtto, IN (US)
- (73) Assignee: **Reliable Production Machining & Welding**, Kendallville, IN (US)
- (**) Term: **15 Years**
- (21) Appl. No.: **29/619,159**
- (22) Filed: **Sep. 27, 2017**
- (51) **LOC (12) Cl.** **08-05**
- (52) **U.S. Cl.**
USPC **D8/375**
- (58) **Field of Classification Search**
USPC D34/34, 35; D15/28, 32; D12/223, 19, D12/204; D8/354, 375, 382, 377; D3/318; D24/19, 204
CPC .. B66F 9/075; B66F 9/08; B66F 13/00; B60B 33/0028; B60B 33/025; B60B 33/0049; B60B 33/0068; Y10T 16/196; Y10T 16/195; Y10T 16/216
See application file for complete search history.

- 6,357,793 B1 * 3/2002 Dickie A61G 5/10 16/20
- D469,002 S * 1/2003 McCord D8/374
- 6,588,059 B1 * 7/2003 McCord B60B 33/0002 16/18 R
- D519,706 S * 4/2006 Witt D34/35
- D532,576 S * 11/2006 Simpson D34/31
- D555,873 S * 11/2007 McIlvaine D34/29
- D556,552 S * 12/2007 Salway D8/375
- D584,749 S * 1/2009 Smith D15/28
- D646,864 S * 10/2011 Uhl B66F 7/16 D34/35
- D651,219 S * 12/2011 Hall D15/21
- D654,514 S * 2/2012 Jamieson D15/28
- D685,396 S * 7/2013 Newberry D15/28
- D699,270 S * 2/2014 Beidler D15/28
- D704,752 S * 5/2014 Secker D15/28
- 8,857,531 B2 * 10/2014 Smeets A01B 15/06 172/772.5
- D752,417 S * 3/2016 Witting D8/354
- D792,198 S * 7/2017 Cmich D8/375
- D797,815 S * 9/2017 Bradley D15/32

(Continued)

Primary Examiner — Cynthia Ramirez
(74) *Attorney, Agent, or Firm* — Taylor IP, P.C.

(57) **CLAIM**

The ornamental design for a flex fork wheel support assembly, as shown and described.

(56) **References Cited**

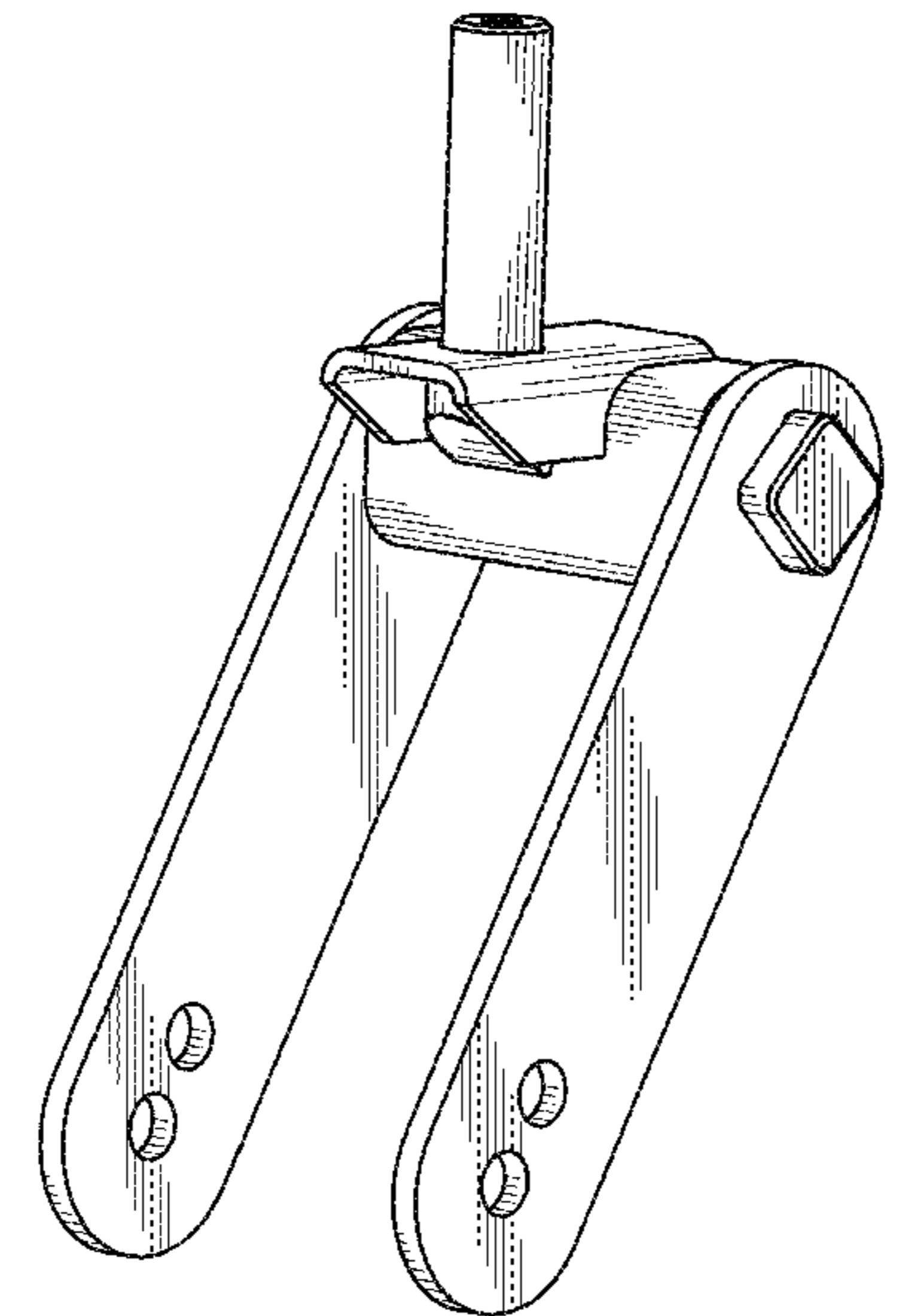
U.S. PATENT DOCUMENTS

- 3,388,419 A * 6/1968 Crawford B60B 33/021 16/35 R
- 4,629,036 A * 12/1986 Choy B60B 33/0028 16/35 R
- D338,897 S * 8/1993 Buschbom D15/28
- 5,450,650 A * 9/1995 Bertrand B60B 33/0068 16/35 R
- 5,785,154 A * 7/1998 Chen B60B 33/00 16/35 R
- 6,094,846 A * 8/2000 Feller B60B 33/0002 16/35 D
- D440,985 S * 4/2001 Noonan D15/28

DESCRIPTION

FIG. 1 is a perspective view of a flex fork wheel support assembly showing my new design;
FIG. 2 is a side view thereof;
FIG. 3 is an opposite side view thereof;
FIG. 4 is a rear view thereof;
FIG. 5 is a front view thereof;
FIG. 6 is a top view thereof; and,
FIG. 7 is a bottom view thereof.

1 Claim, 3 Drawing Sheets



(56)

References Cited

U.S. PATENT DOCUMENTS

D803,758	S *	11/2017	Giordano	D12/223
D806,348	S *	12/2017	Lien	D34/35
D809,991	S *	2/2018	Giordano	D12/223
D813,140	S *	3/2018	Stent	D12/223
D814,527	S *	4/2018	Jacobsthal	D15/28
D822,306	S *	7/2018	Veenhof	D34/35
D827,677	S *	9/2018	Zimmerman	D15/28
D827,973	S *	9/2018	Stoner	D34/35
D830,816	S *	10/2018	Chan	D8/375
D840,441	S *	2/2019	Serrurier	D15/29
2001/0029643	A1 *	10/2001	Schroeder	B60B 33/0021 16/35 R
2004/0004331	A1 *	1/2004	Pauls	B60B 33/0002 280/35
2008/0258540	A1 *	10/2008	Hicks	B60B 33/0007 301/111.01
2011/0036671	A1 *	2/2011	McKay	B60T 1/04 188/69
2012/0042472	A1 *	2/2012	Aubin	B60B 33/0015 16/46
2014/0250627	A1 *	9/2014	McKay	B60B 33/0028 16/45
2015/0375976	A1 *	12/2015	Kuck	B66F 9/075 187/222
2016/0167429	A1 *	6/2016	Wang	B60B 33/0023 16/21
2017/0073203	A1 *	3/2017	Warner	B66F 9/22
2018/0141795	A1 *	5/2018	Stent	B66F 9/08

* cited by examiner

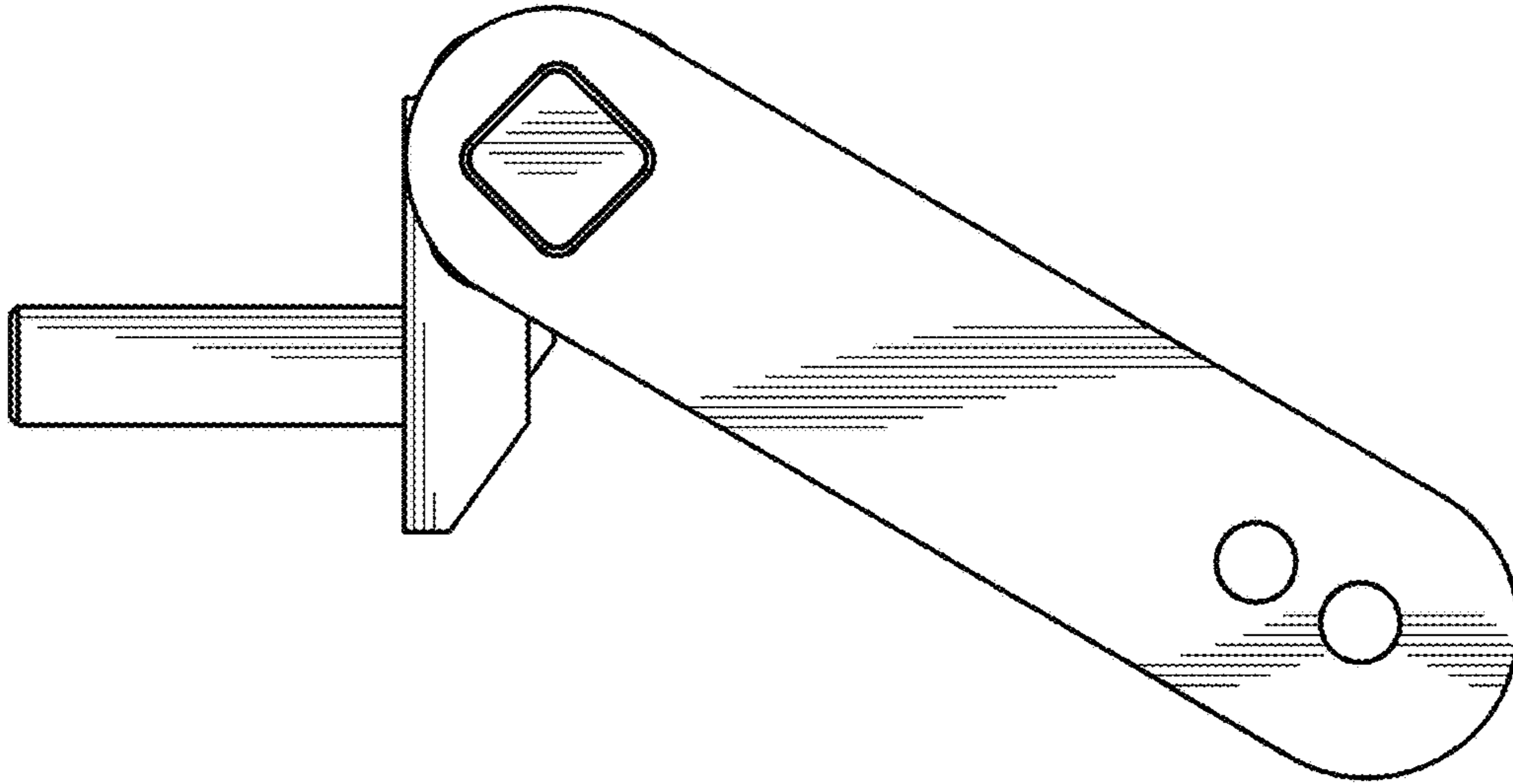


Fig. 2

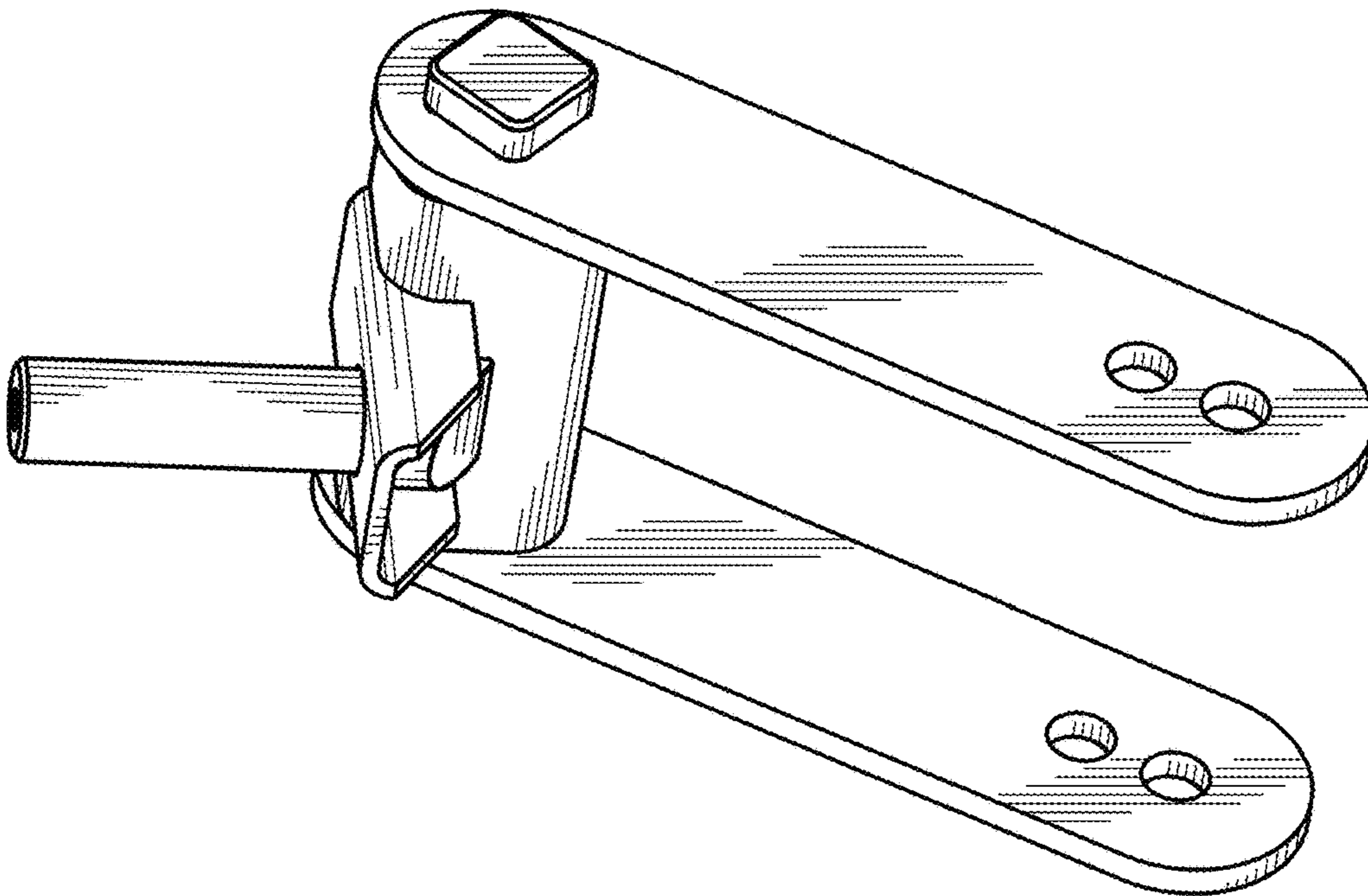


Fig. 1

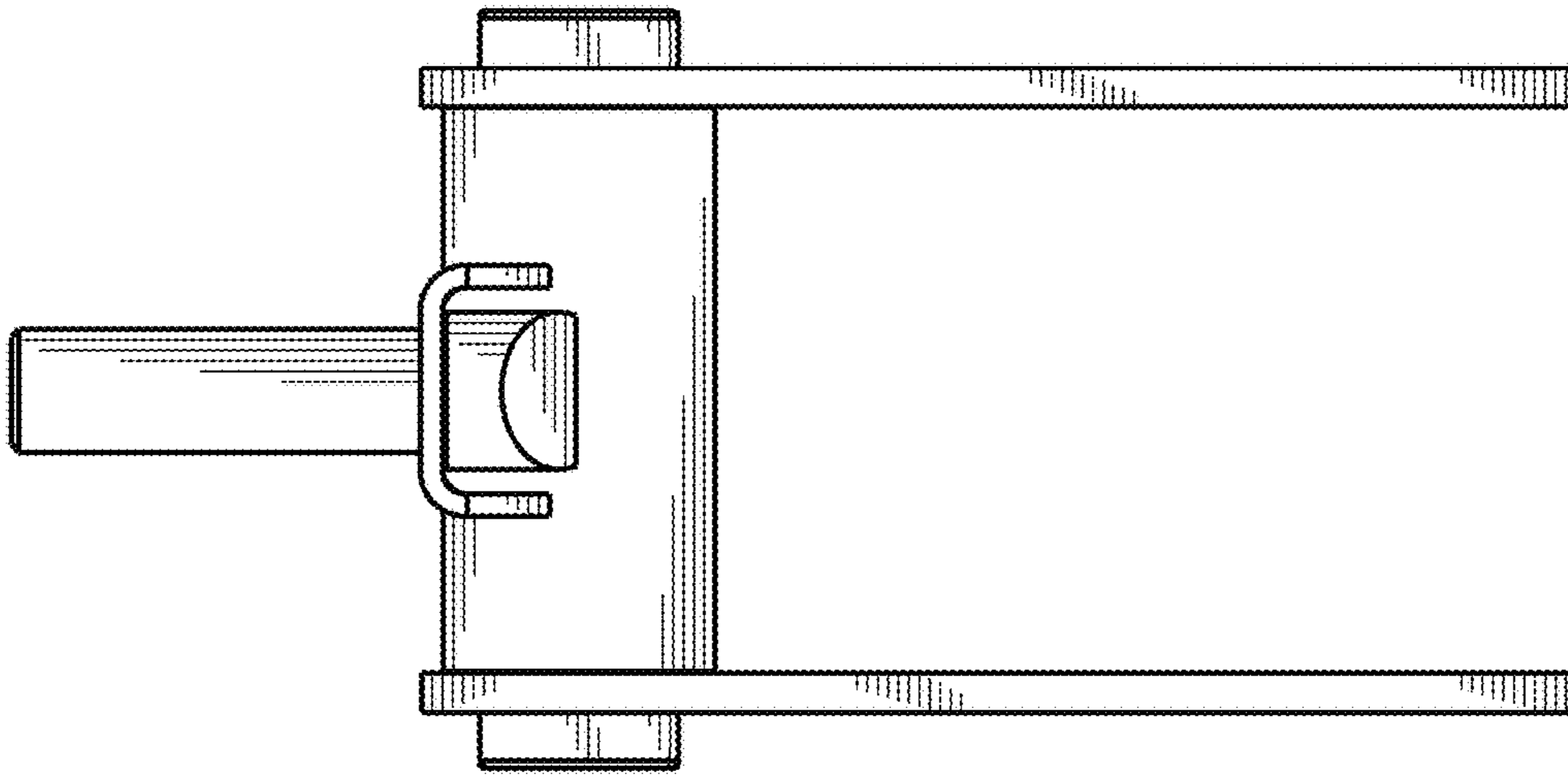


Fig. 4

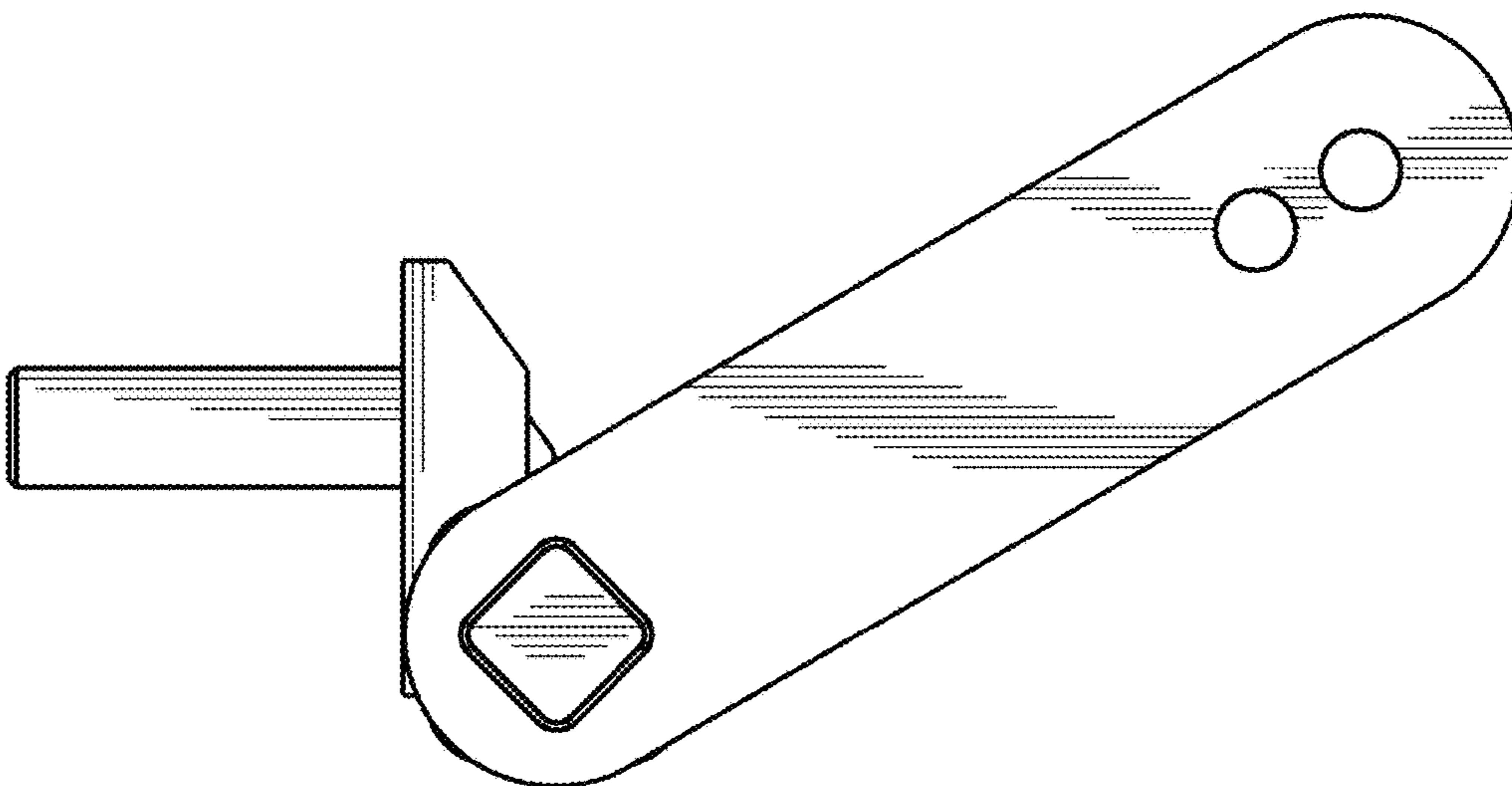


Fig. 3

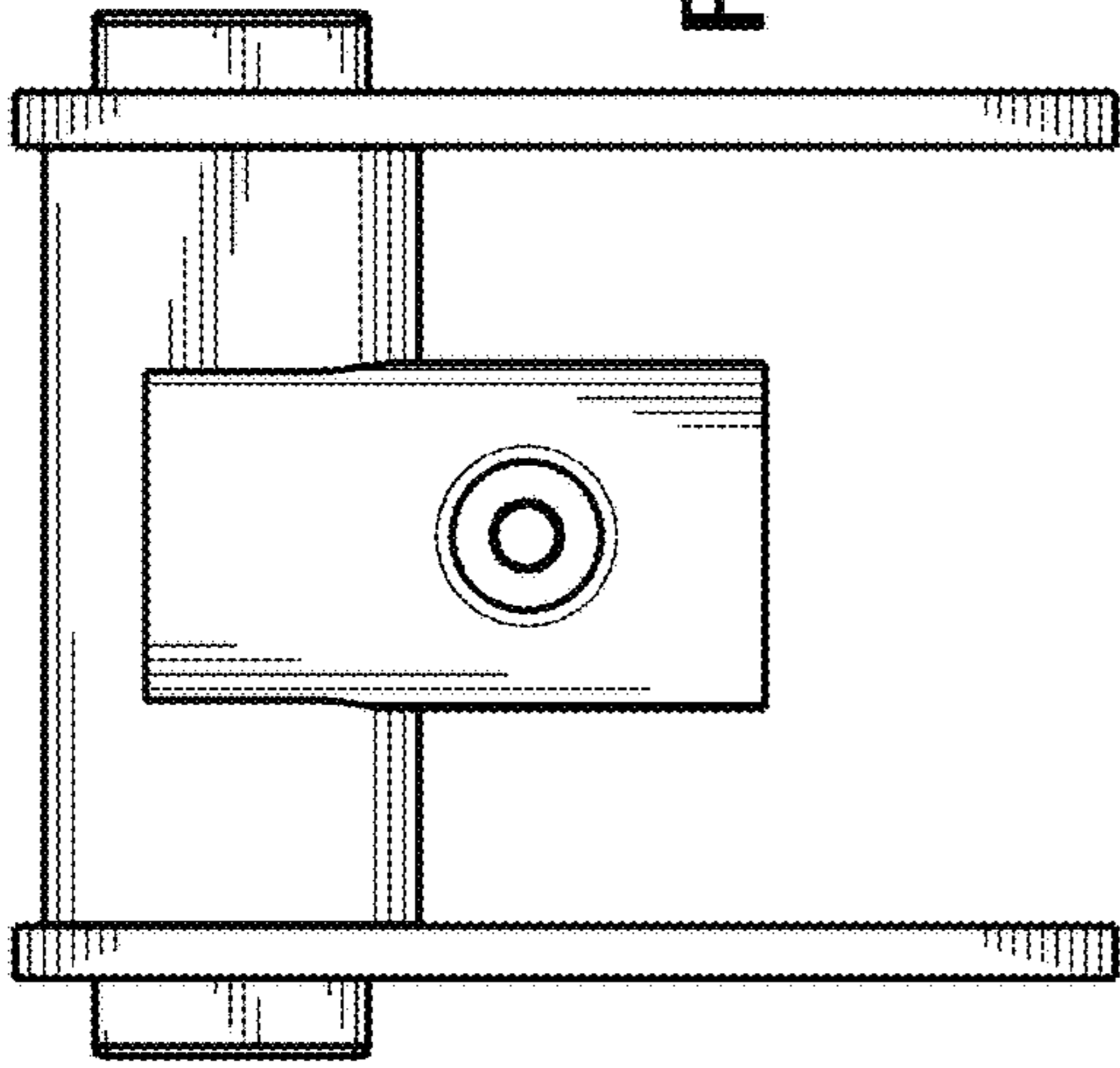


Fig. 6

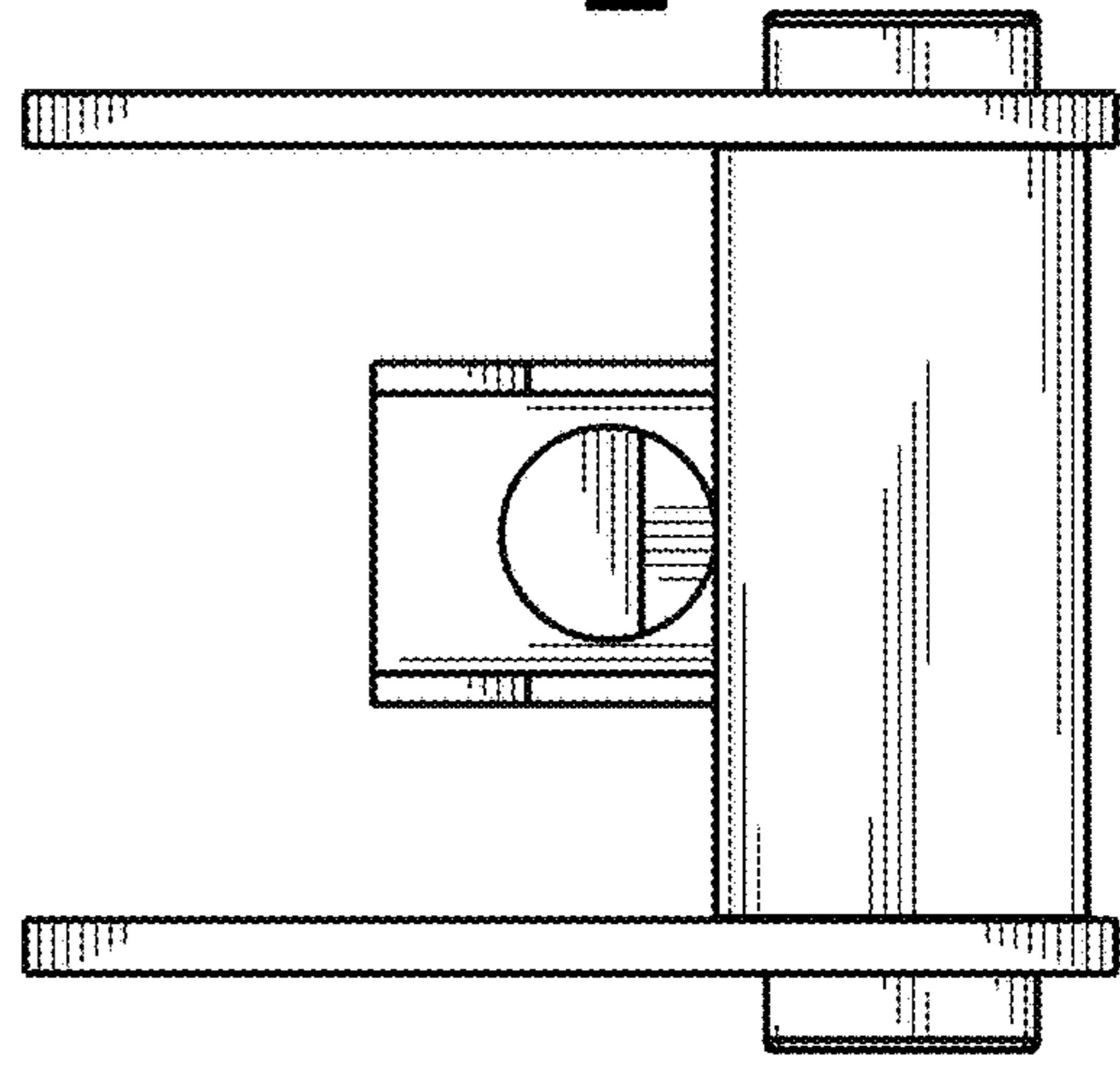


Fig. 7

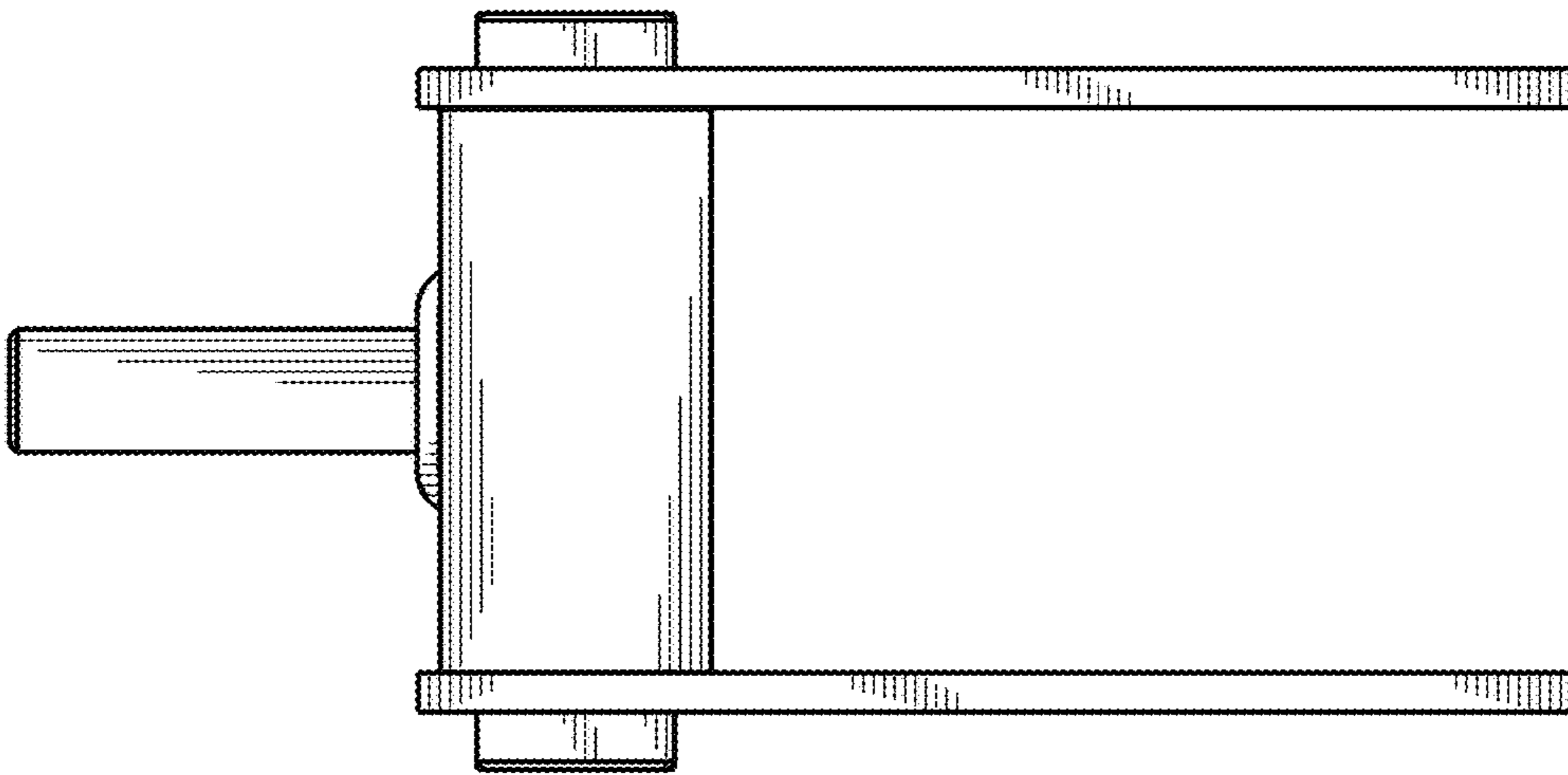


Fig. 5