



US00D857482S

(12) **United States Design Patent**  
**Li**

(10) **Patent No.:** **US D857,482 S**

(45) **Date of Patent:** **\*\* Aug. 27, 2019**

(54) **TILE SPACER**

(71) Applicants: **Hangzhou Great Star Industrial Co., LTD.**, Hangzhou, Zhejiang Province (CN); **Hangzhou Great Star Tools Co., LTD.**, Hangzhou, Zhejiang Province (CN)

(72) Inventor: **Yueming Li**, Hangzhou (CN)

(73) Assignees: **Hangzhou Great Star Industrial Co., Ltd.**, Hangzhou (CN); **Hangzhou Great Star Tools Co., Ltd.**, Hangzhou (CN)

(\*\*) Term: **15 Years**

(21) Appl. No.: **29/637,482**

(22) Filed: **Feb. 19, 2018**

(30) **Foreign Application Priority Data**

Aug. 17, 2017 (CN) ..... 2017 3 0379514

(51) **LOC (12) Cl.** ..... **08-05**

(52) **U.S. Cl.**  
USPC ..... **D8/354**

(58) **Field of Classification Search**  
USPC ..... D8/349, 354; D10/61, 64; 33/527, 526, 33/518; D21/484, 507, 345, 386  
CPC ..... E04F 21/0092  
See application file for complete search history.

(56) **References Cited**

**U.S. PATENT DOCUMENTS**

5,119,567 A 6/1992 Fox  
D492,210 S \* 6/2004 Shilo ..... D10/64  
D542,161 S \* 5/2007 Skillings ..... D10/64  
(Continued)

**FOREIGN PATENT DOCUMENTS**

CN 205531247 U 8/2016  
CN 207110375 U 3/2018  
WO 2006075180 A1 7/2006  
WO 2006087572 A1 8/2006

**OTHER PUBLICATIONS**

International Search Report for PCT/CN2017/097824, dated May 4, 2018.

*Primary Examiner* — Janice Hallmark

*Assistant Examiner* — Harold E Blackwell, II

(74) *Attorney, Agent, or Firm* — Andrus Intellectual Property Law, LLP

(57) **CLAIM**

The ornamental design for a tile spacer, as shown and described.

**DESCRIPTION**

FIG. 1 is a front perspective view of a first embodiment of a tile spacer according to my new and ornamental design; FIG. 2 is a rear perspective view thereof; FIG. 3 is a front elevational view thereof; FIG. 4 is a rear elevational view thereof; FIG. 5 is a left side elevational view thereof; FIG. 6 is a right side elevational view thereof; FIG. 7 is a top plan view thereof; FIG. 8 is a bottom plan view thereof; FIG. 9 is a front perspective view of a second embodiment of a tile spacer according to my new and ornamental design; FIG. 10 is a rear perspective view thereof; FIG. 11 is a front elevational view thereof; FIG. 12 is a rear elevational view thereof; FIG. 13 is a left side elevational view thereof; FIG. 14 is a right side elevational view thereof; FIG. 15 is a top plan view thereof; FIG. 16 is a bottom plan view thereof; FIG. 17 is a front perspective view of a third embodiment of a tile spacer according to my new and ornamental design; FIG. 18 is a rear perspective view thereof; FIG. 19 is a front elevational view thereof; FIG. 20 is a rear elevational view thereof; FIG. 21 is a left side elevational view thereof; FIG. 22 is a right side elevational view thereof; FIG. 23 is a top plan view thereof; FIG. 24 is a bottom plan view thereof;

(Continued)

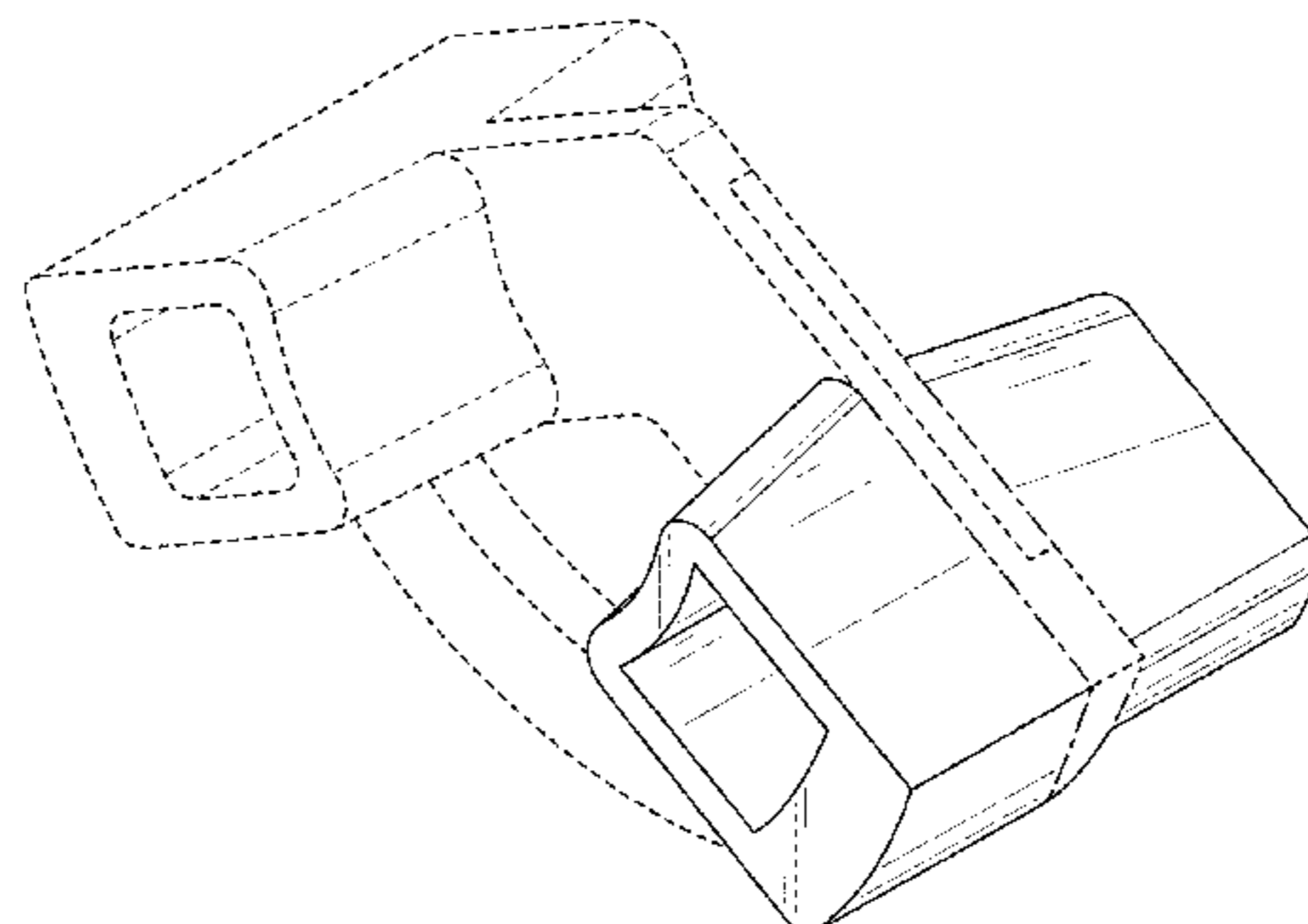
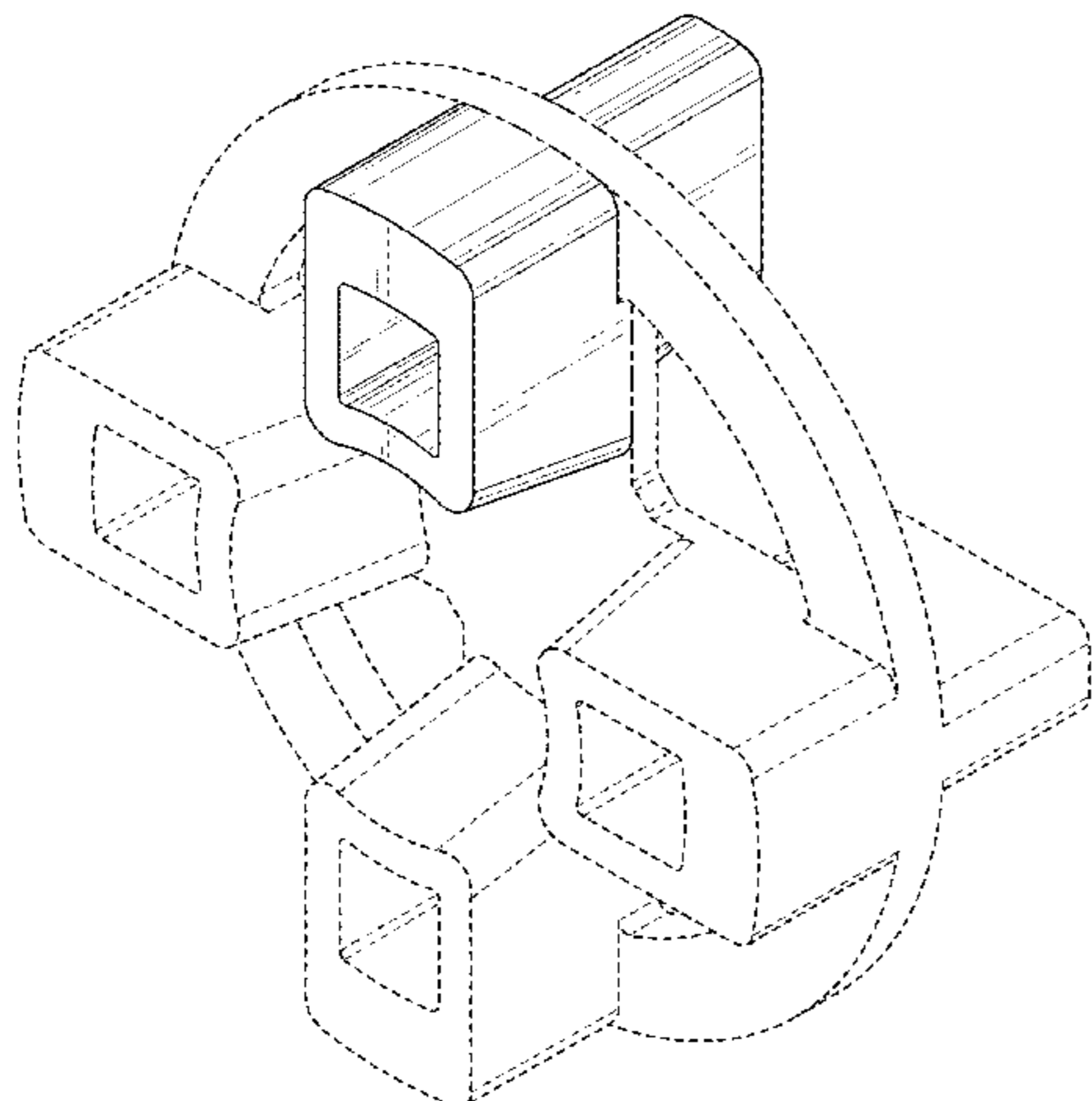


FIG. 25 is a front perspective view of a fourth embodiment of a tile spacer according to my new and ornamental design; FIG. 26 is a rear perspective view thereof; FIG. 27 is a front elevational view thereof; FIG. 28 is a rear elevational view thereof; FIG. 29 is a left side elevational view thereof; FIG. 30 is a right side elevational view thereof; FIG. 31 is a top plan view thereof; and, FIG. 32 is a bottom plan view thereof.

The portions of the first, second, third, and fourth embodiments of the tile spacer shown in broken lines form no part of the claimed design. The dash-dot broken lines between the portions of the first, second, third, and fourth embodiments of the tile spacer shown in solid lines and the portions of the first, second, third, and fourth embodiments of the tile spacer shown in broken lines represent bounds of the claimed design; the broken lines form no part of the claimed design.

**1 Claim, 32 Drawing Sheets**

(56) **References Cited**

U.S. PATENT DOCUMENTS

7,257,926	B1	8/2007	Kirby	
7,536,802	B1 *	5/2009	Tavy .....	E04F 21/0092 33/527
D758,218	S *	6/2016	Bunch .....	D10/64
D758,899	S *	6/2016	Bunch .....	D10/64
2012/0023766	A1	2/2012	Hillebrandt	

\* cited by examiner

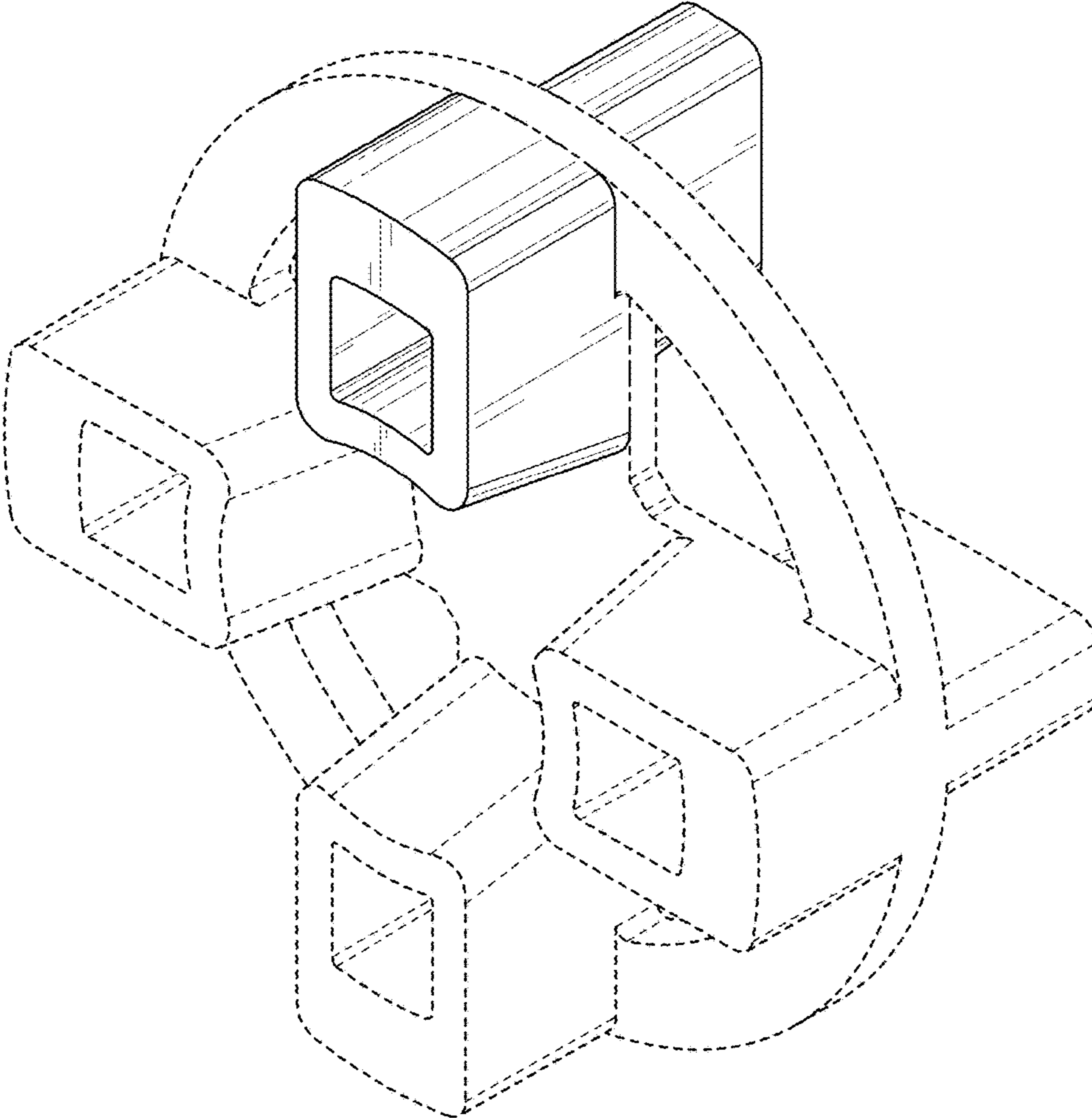


FIG. 1

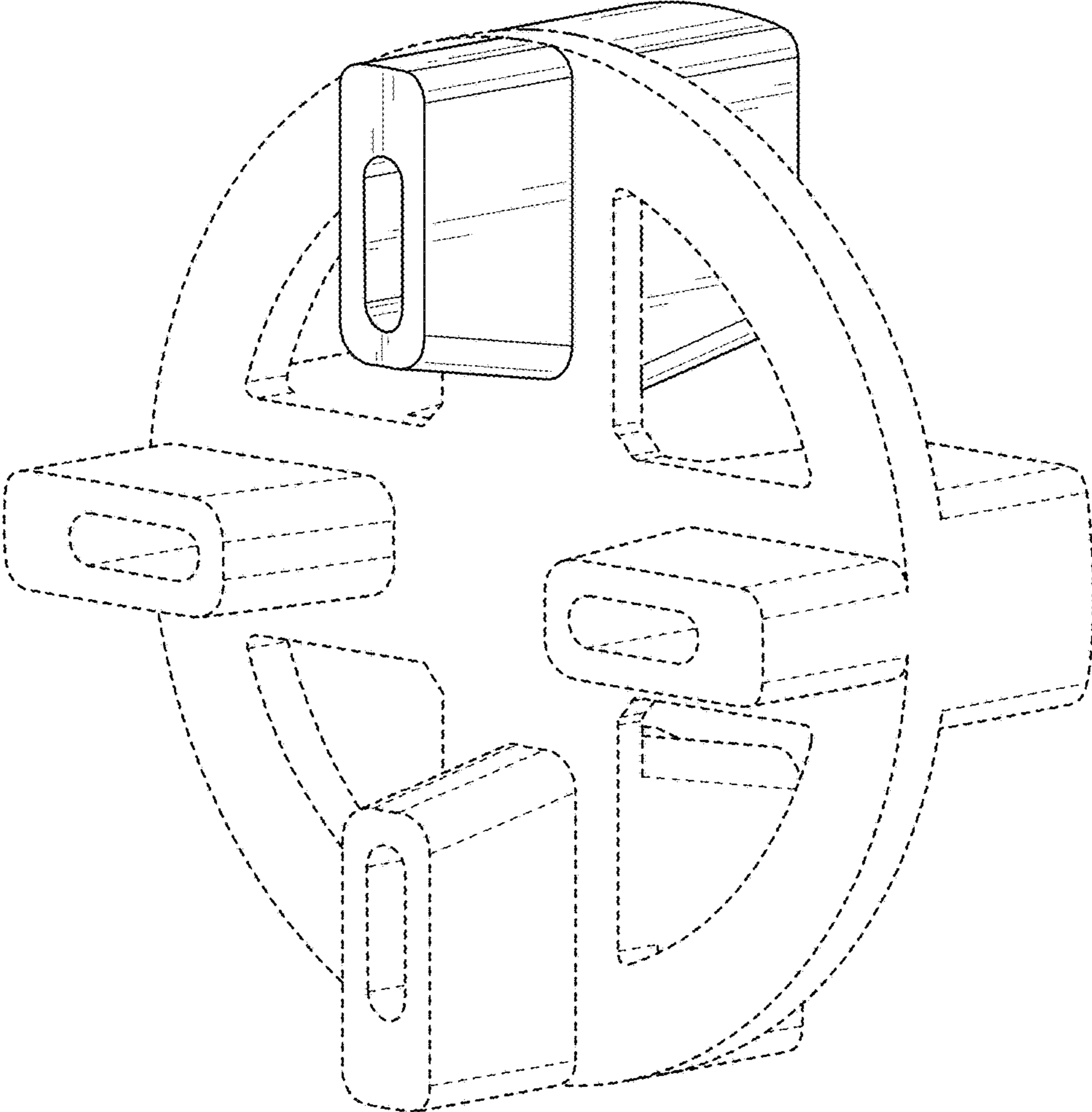


FIG. 2

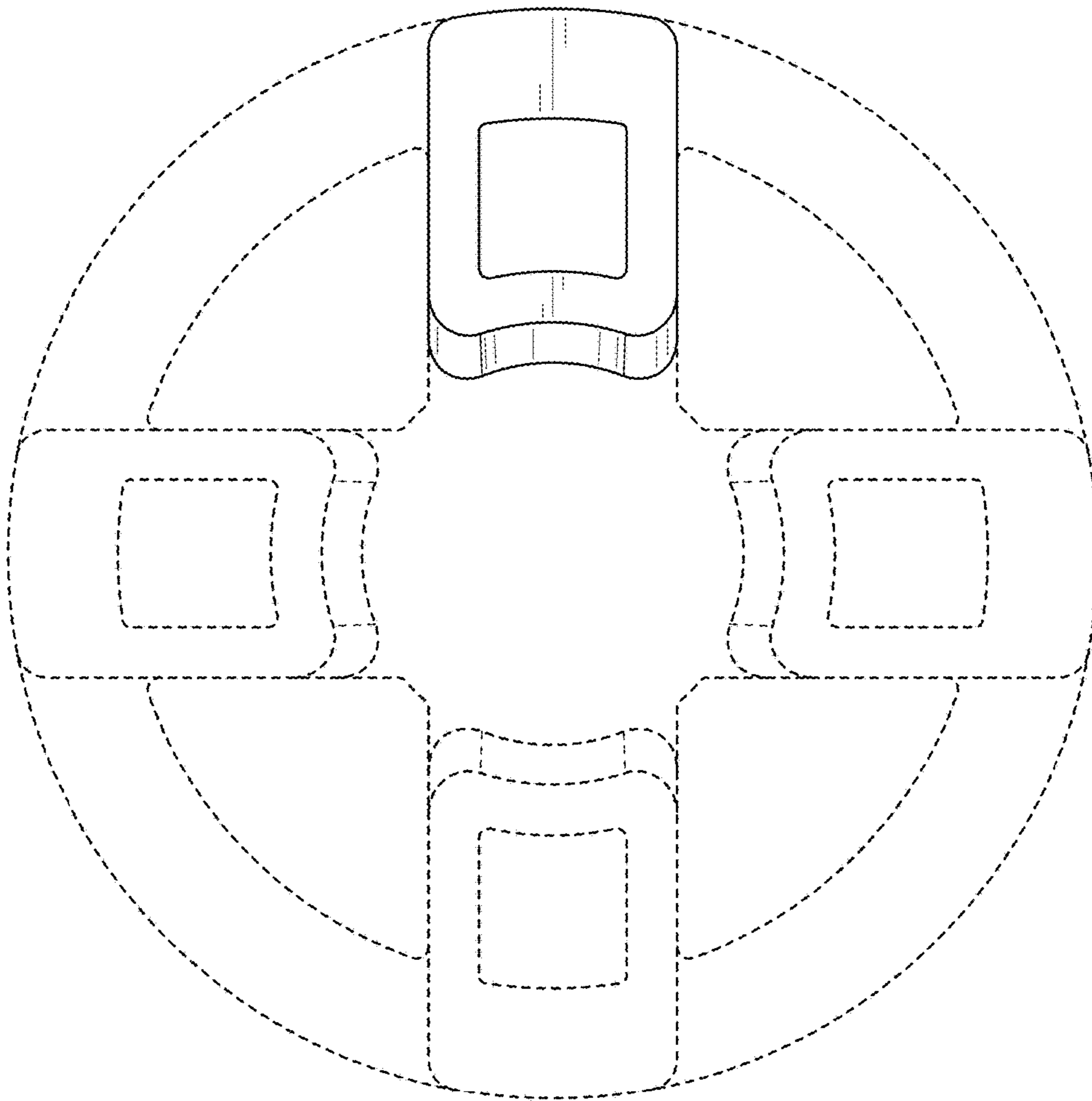


FIG. 3

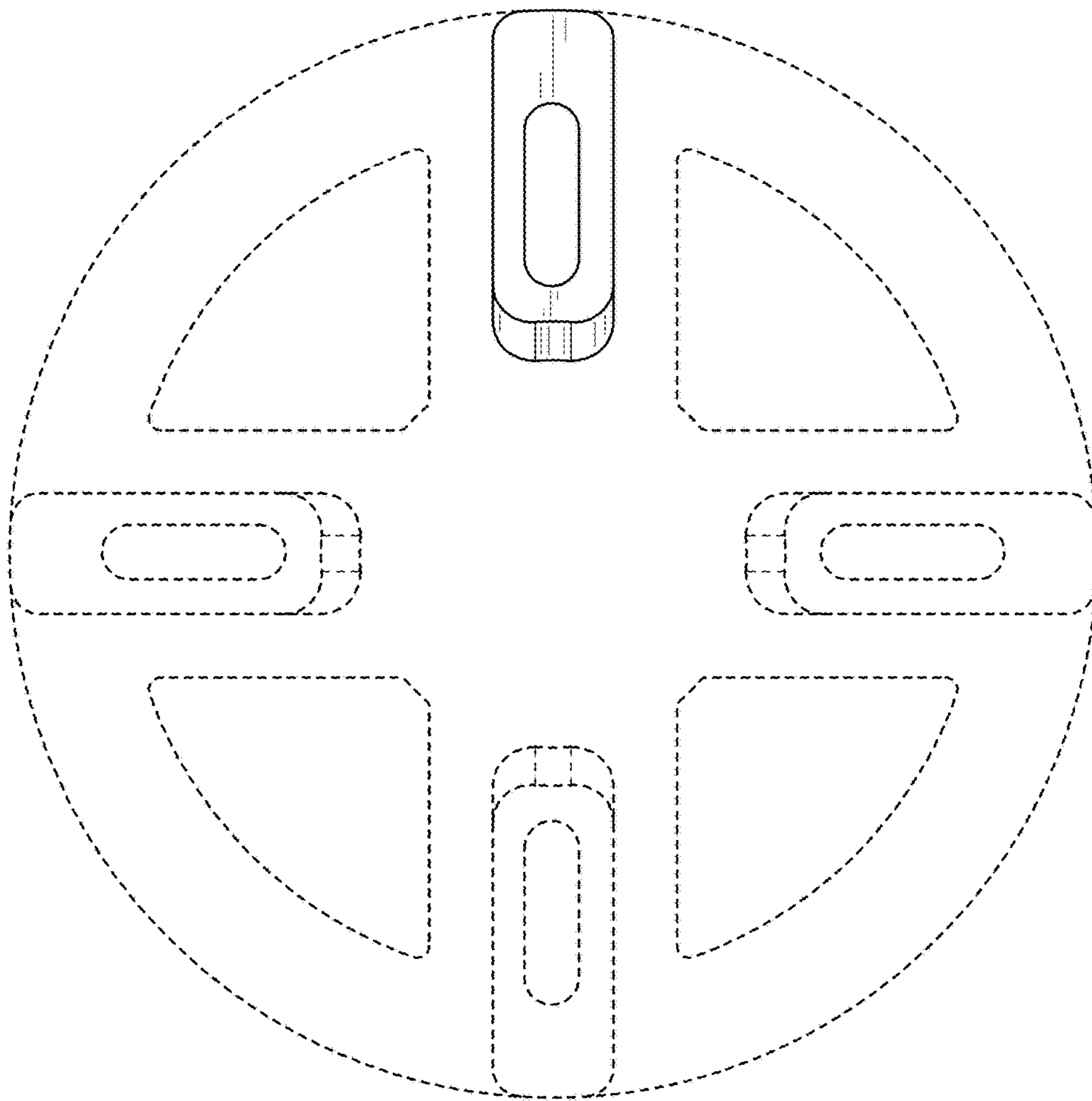


FIG. 4

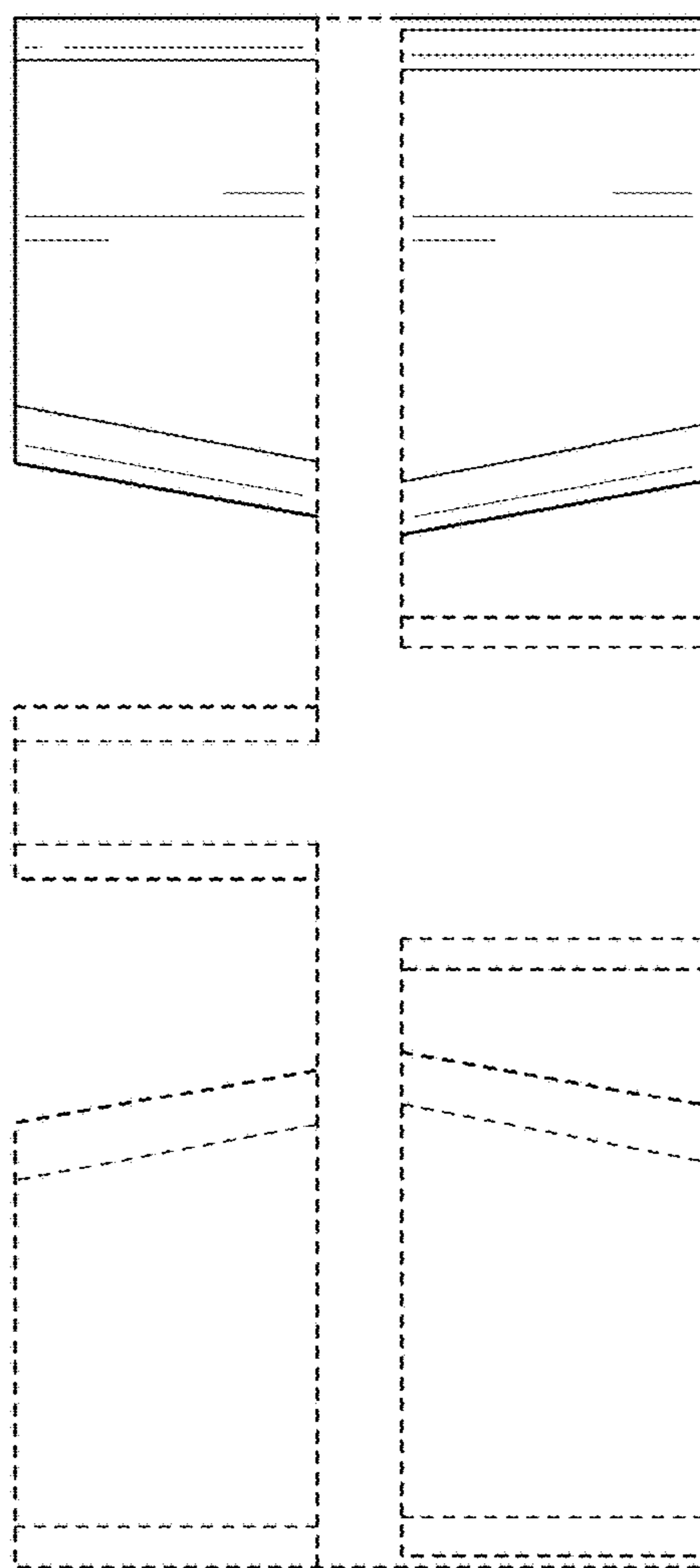


FIG. 5

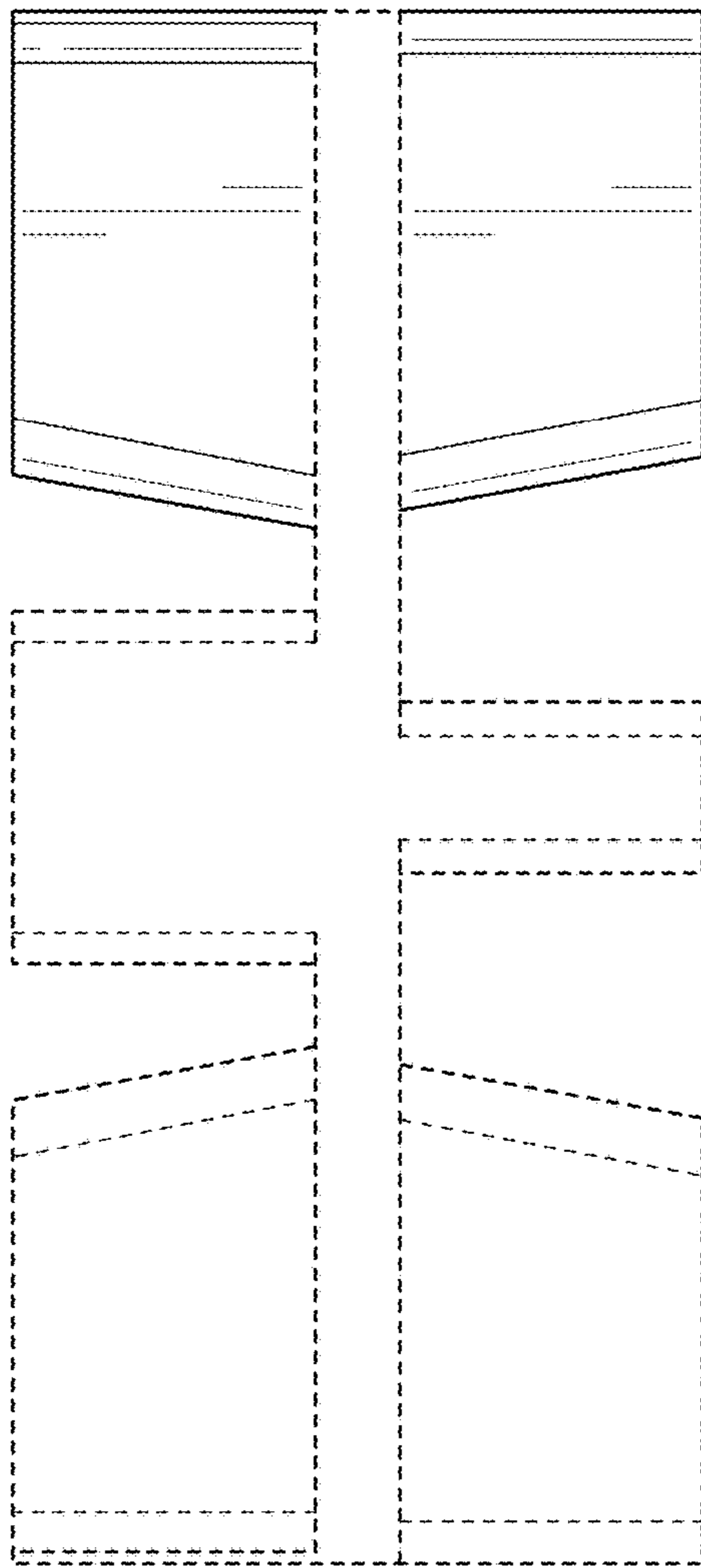


FIG. 6



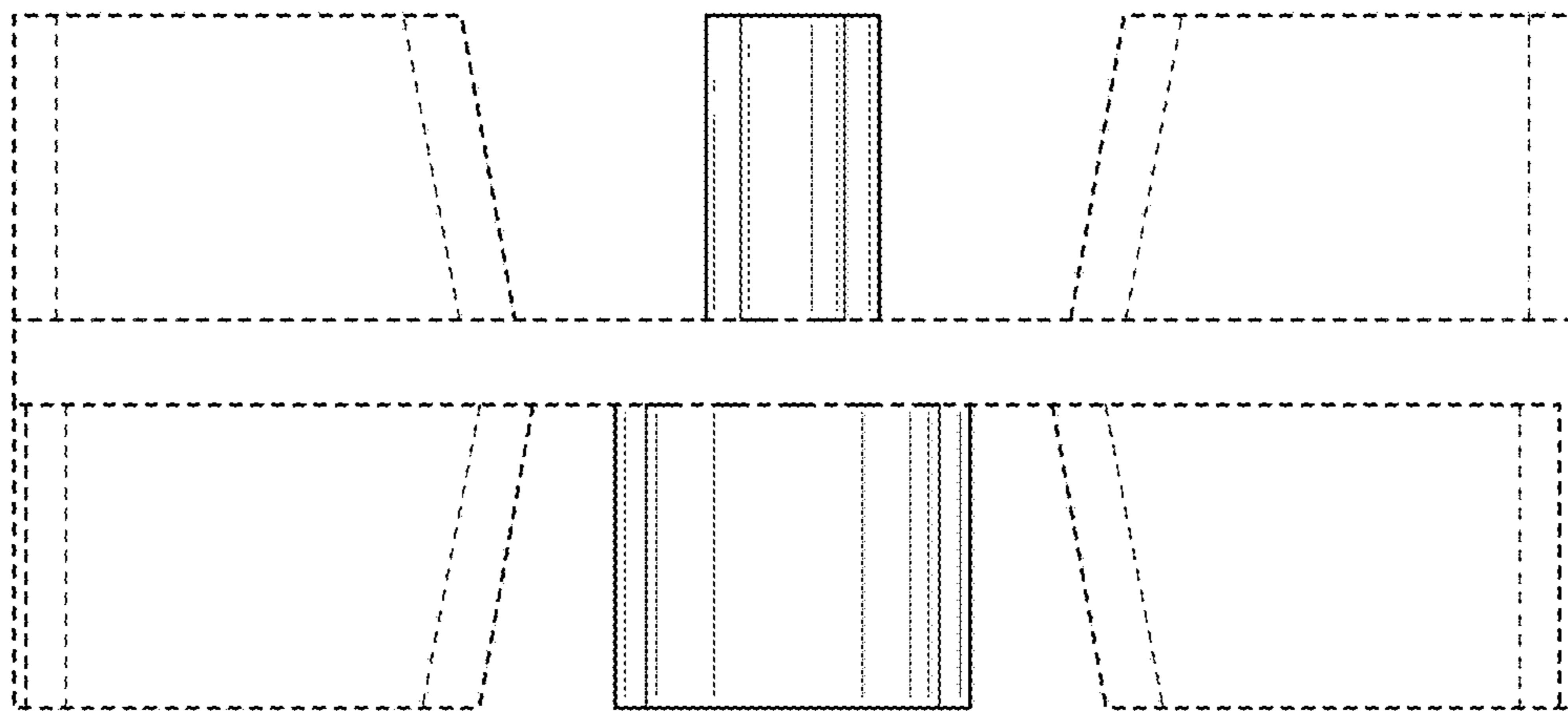


FIG. 7

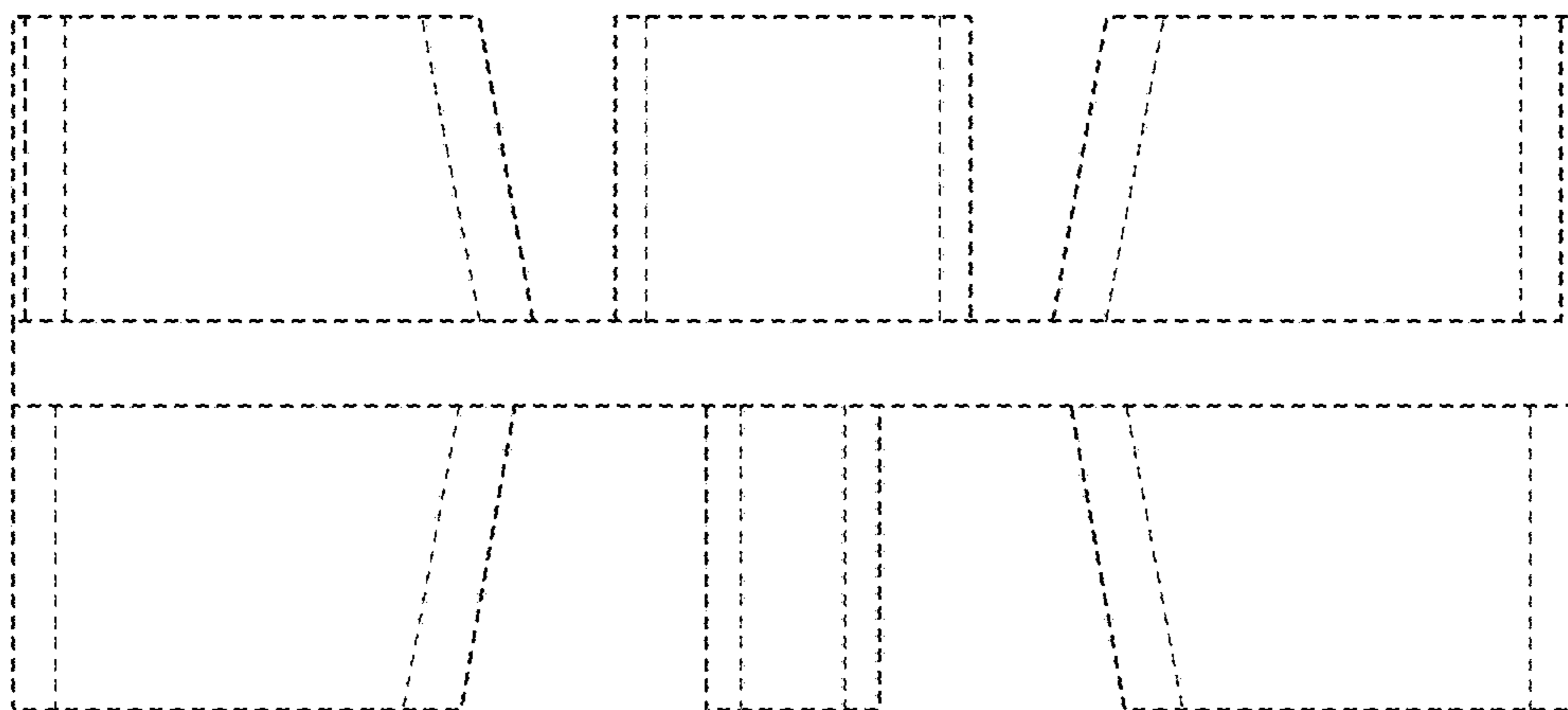


FIG. 8

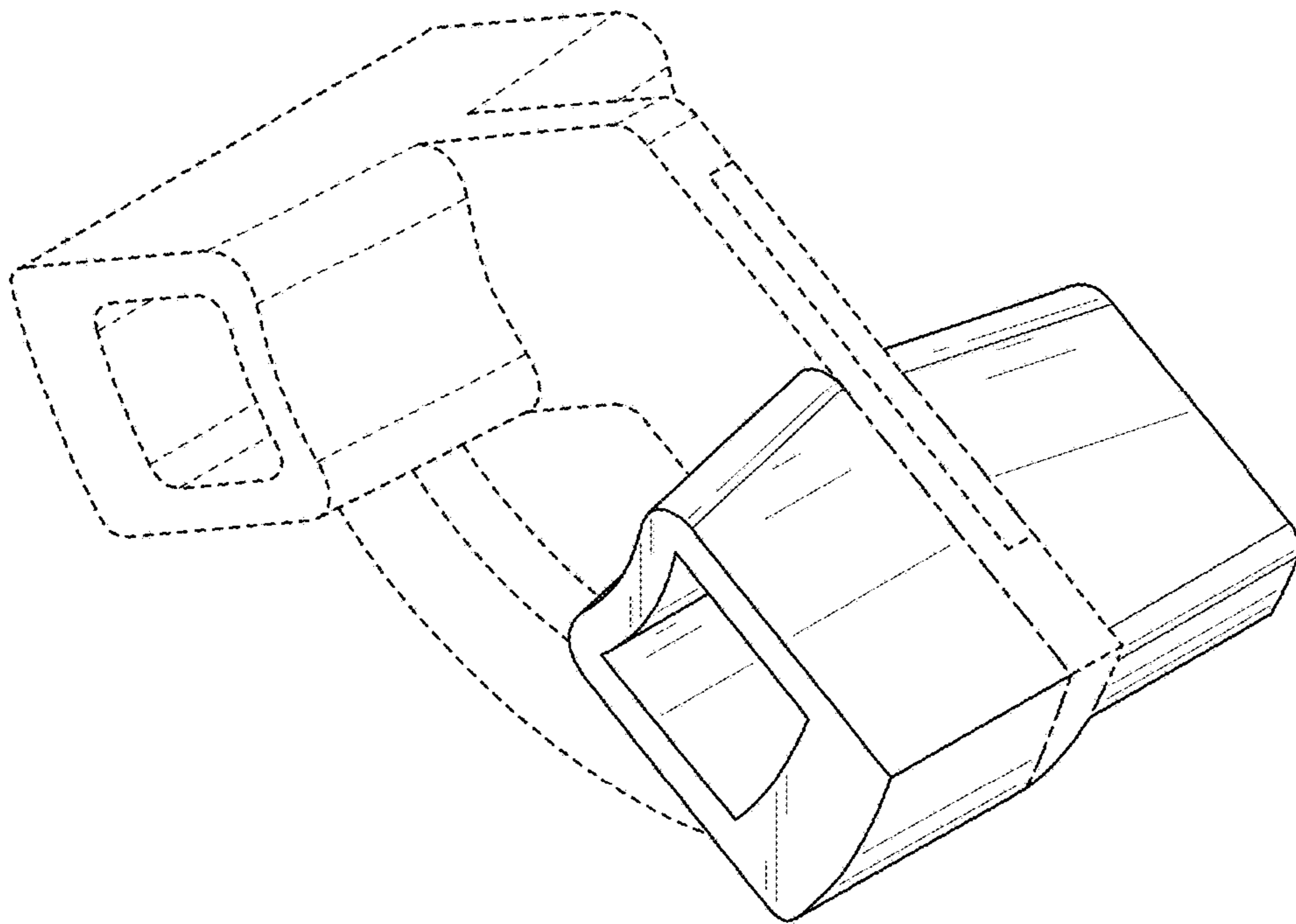


FIG. 9

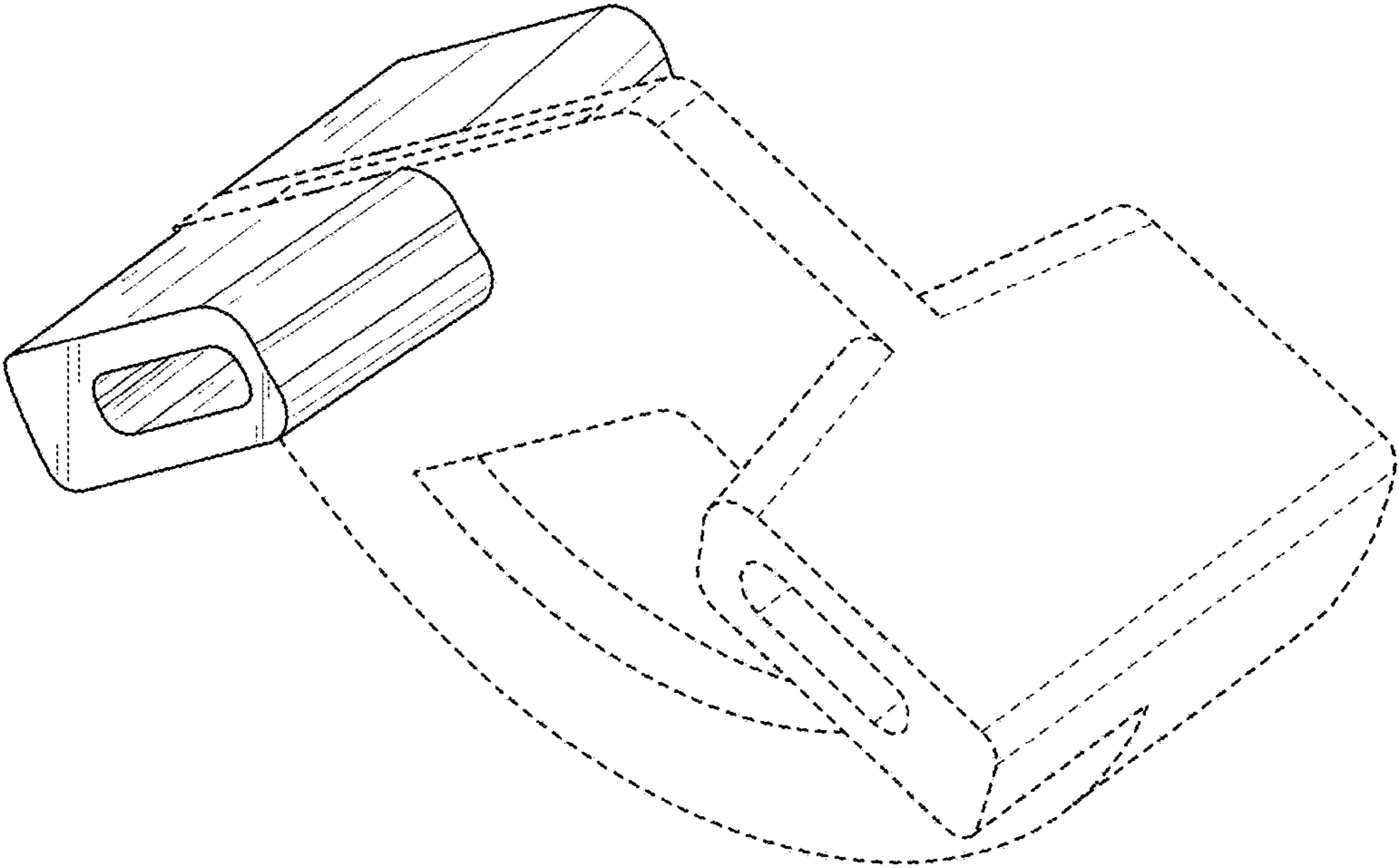


FIG. 10

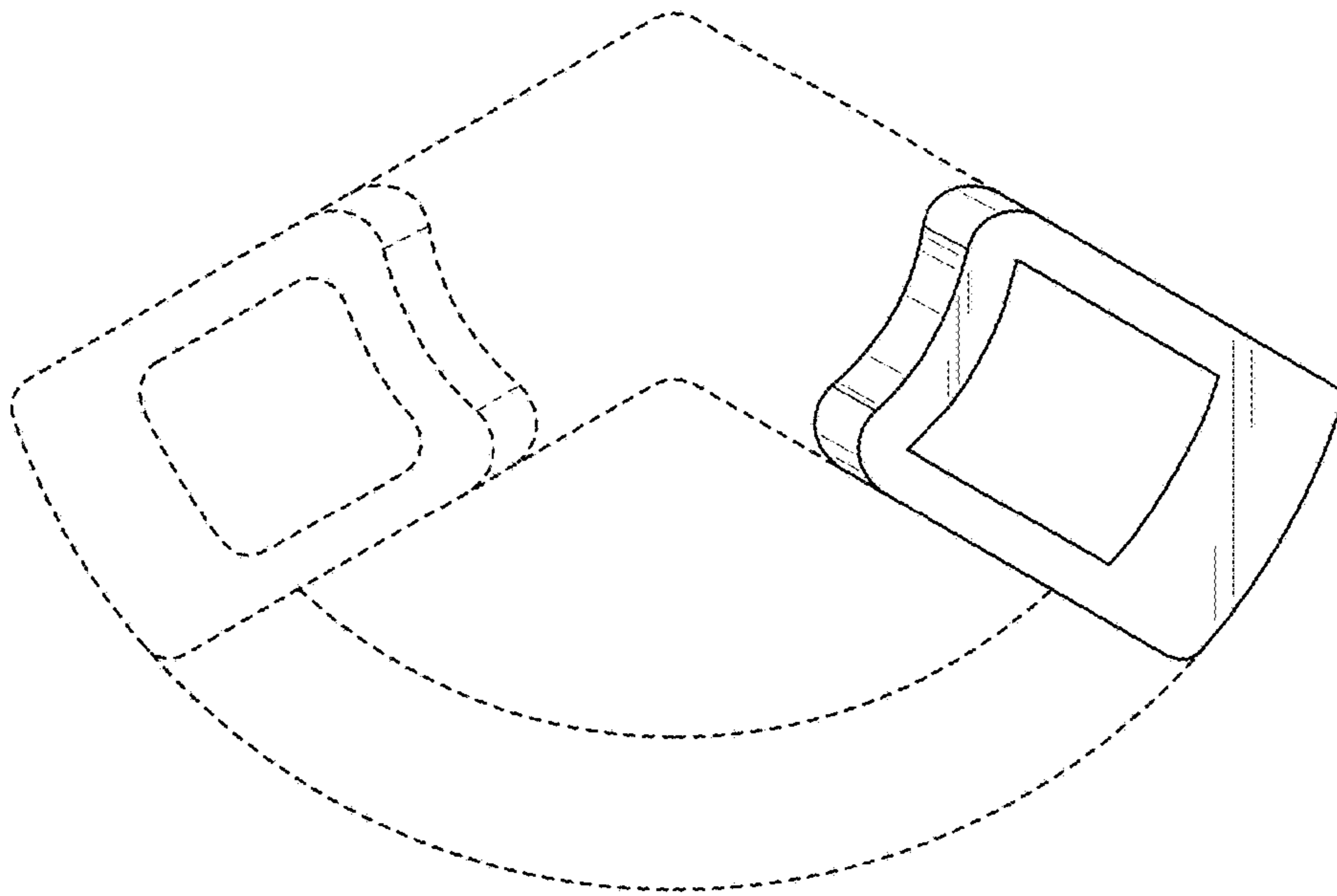


FIG. 11

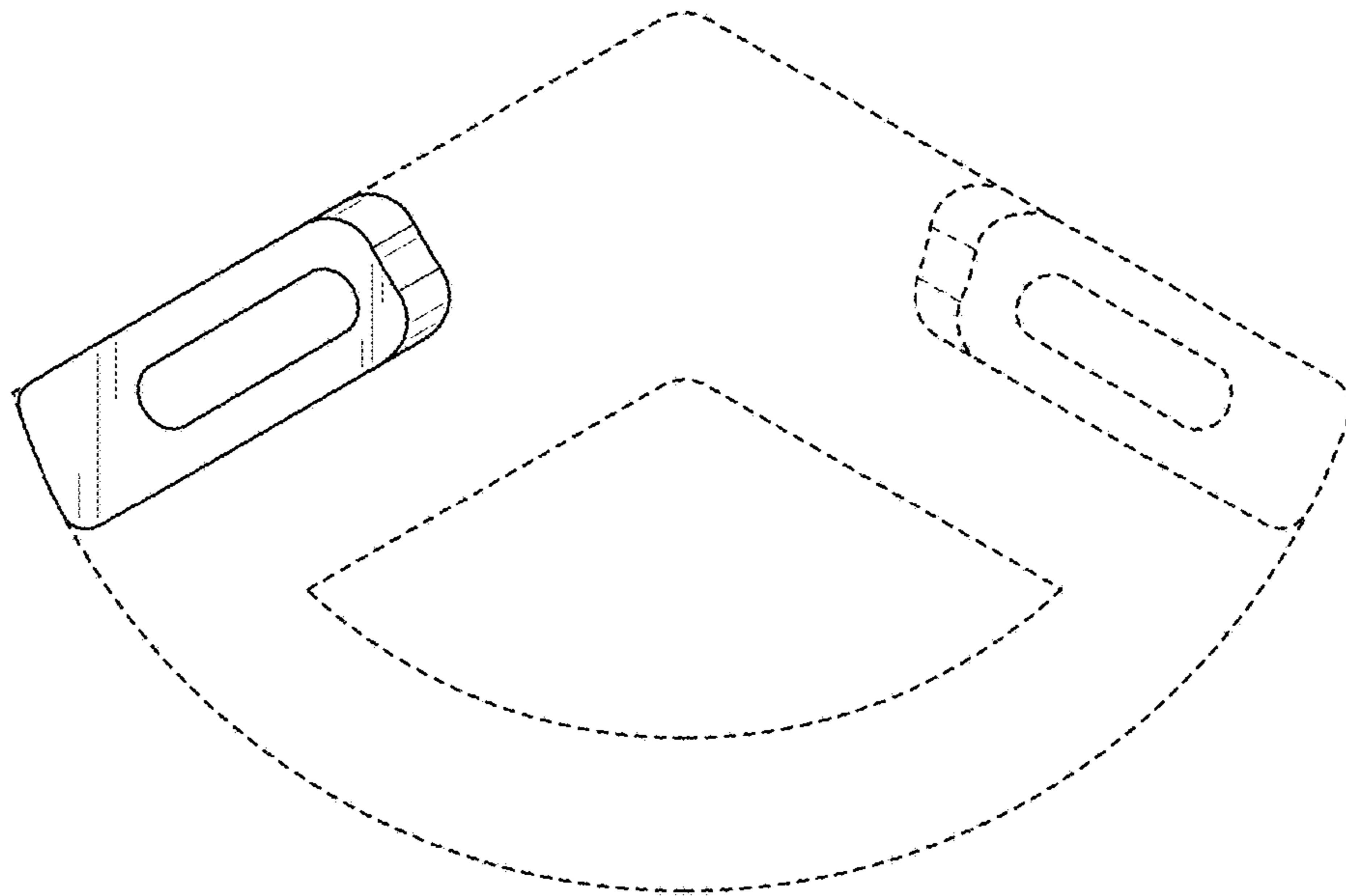


FIG. 12

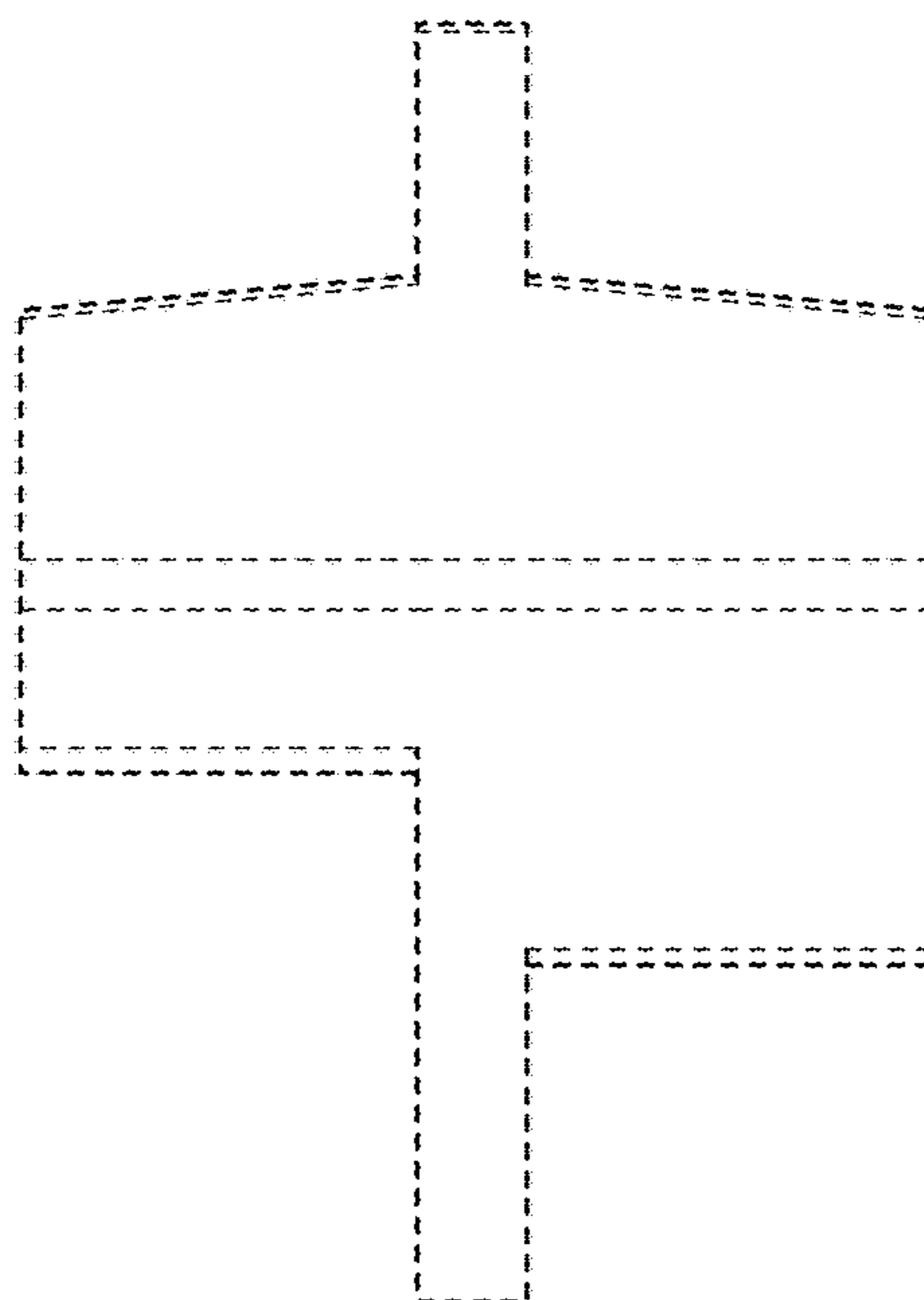


FIG. 13

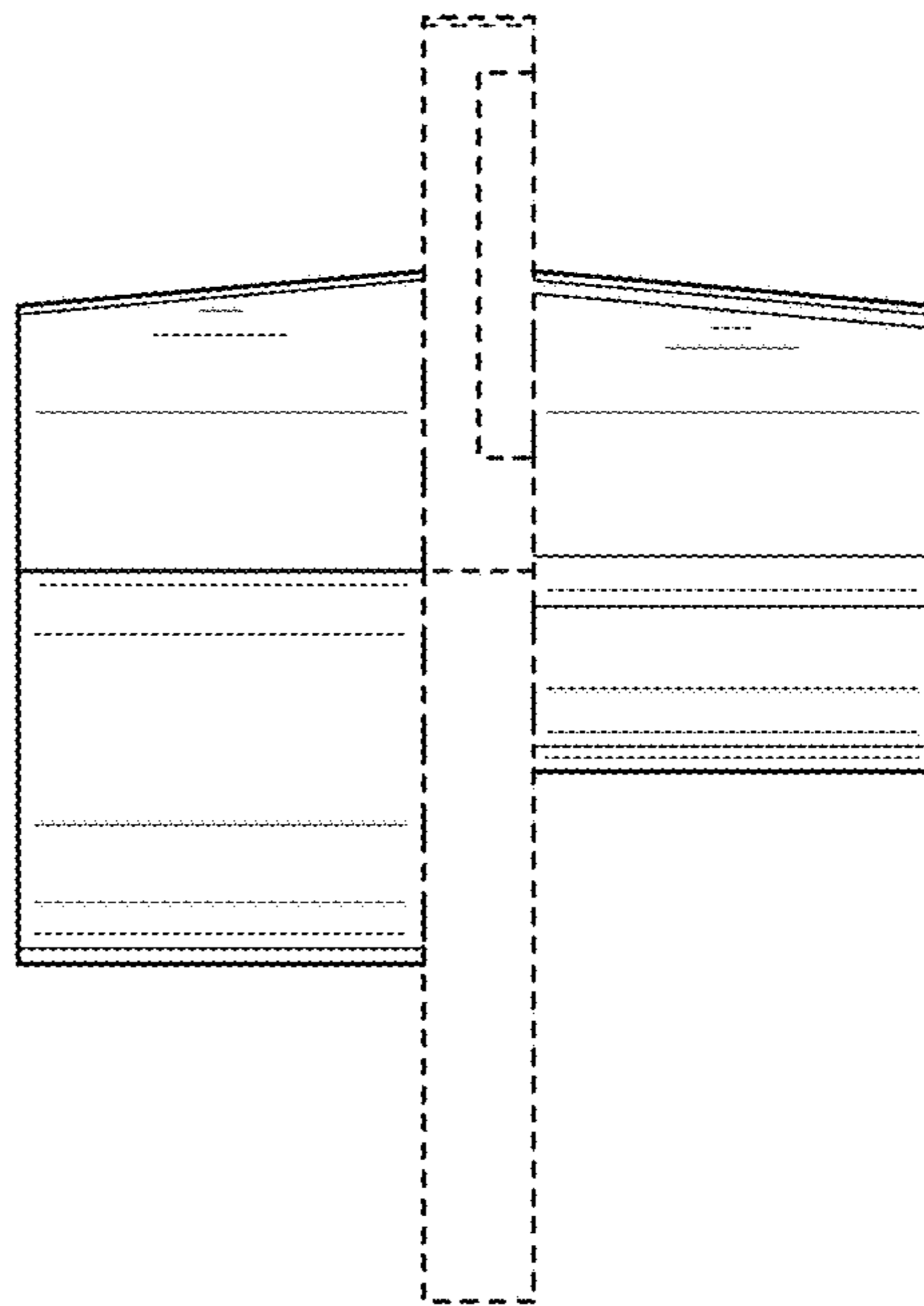


FIG. 14



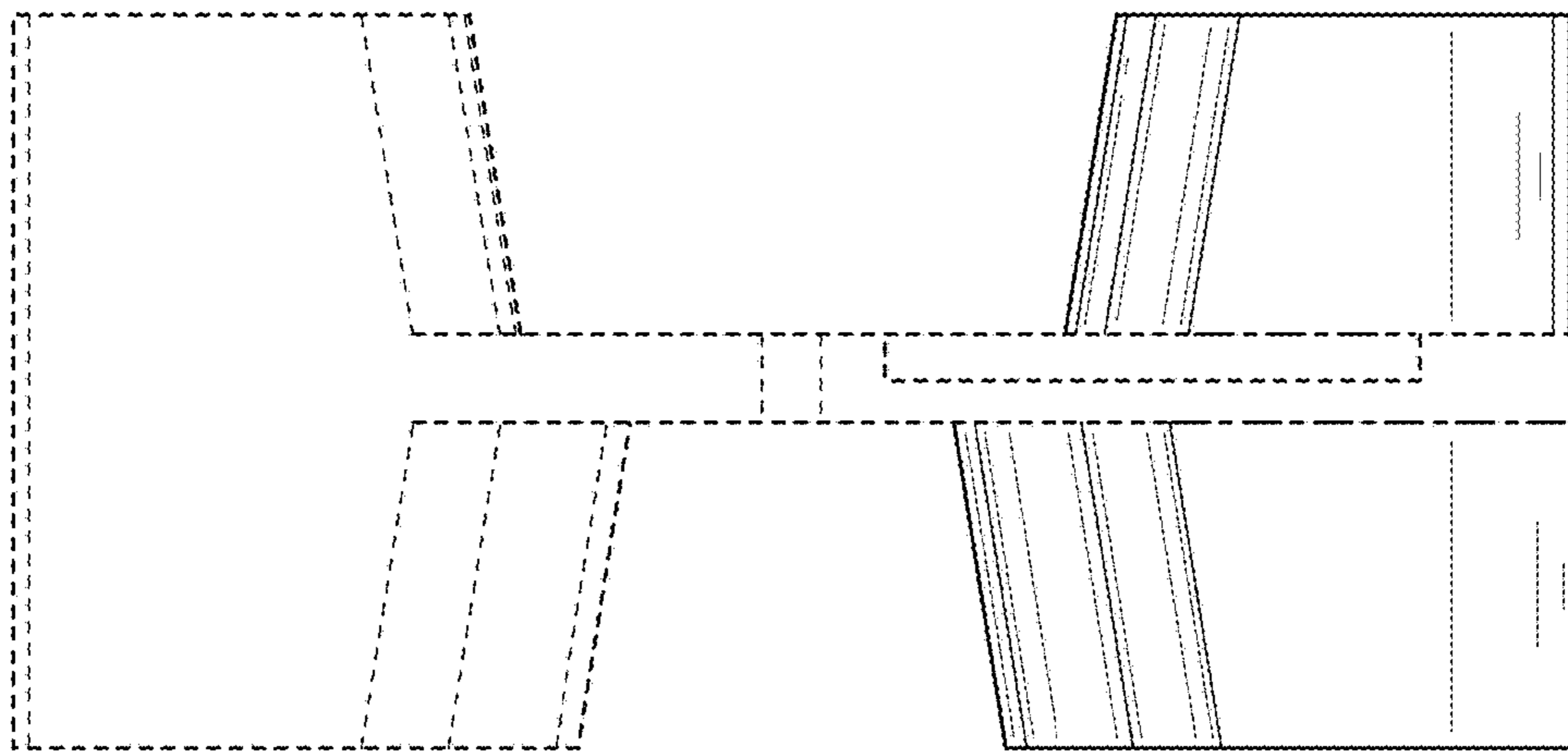


FIG. 15

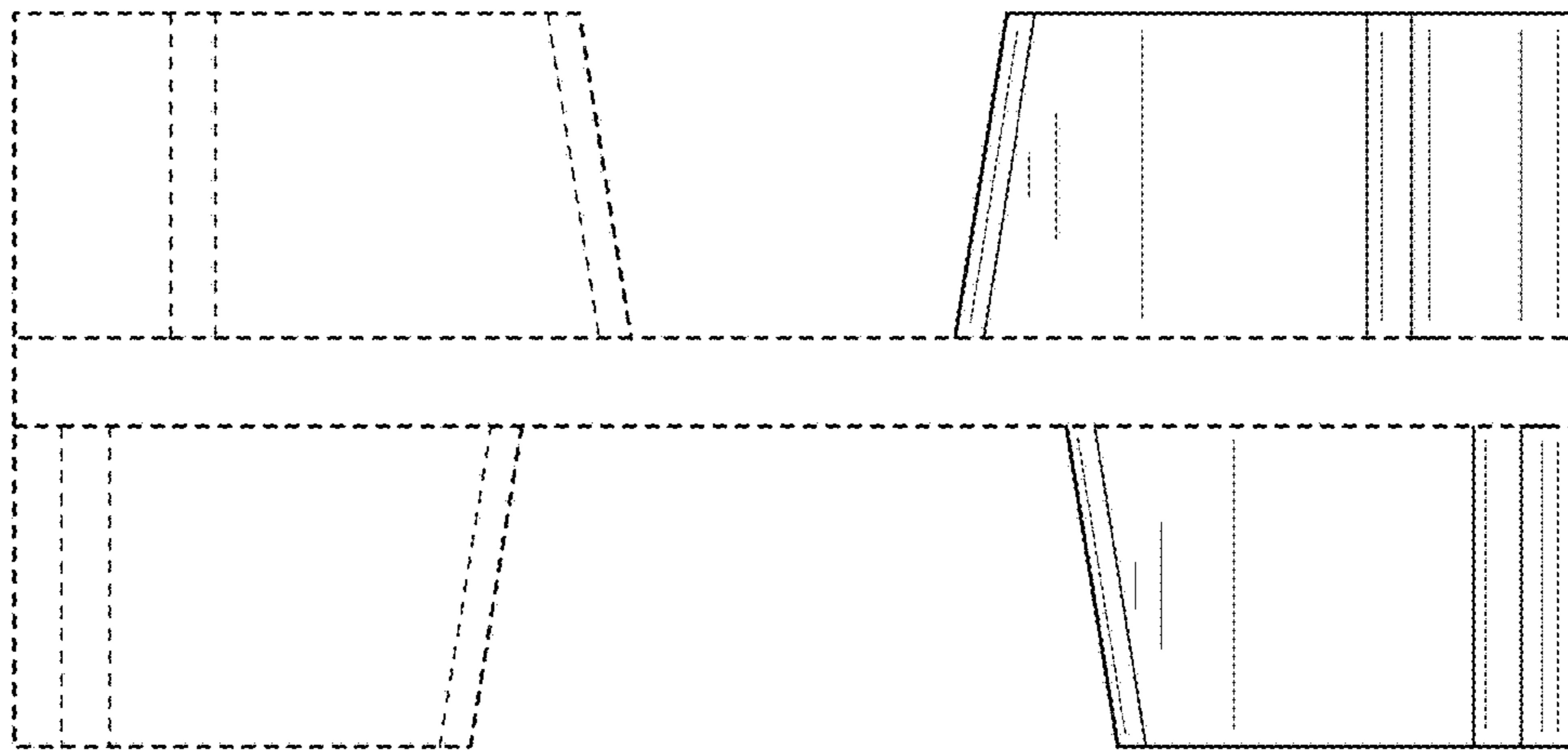


FIG. 16

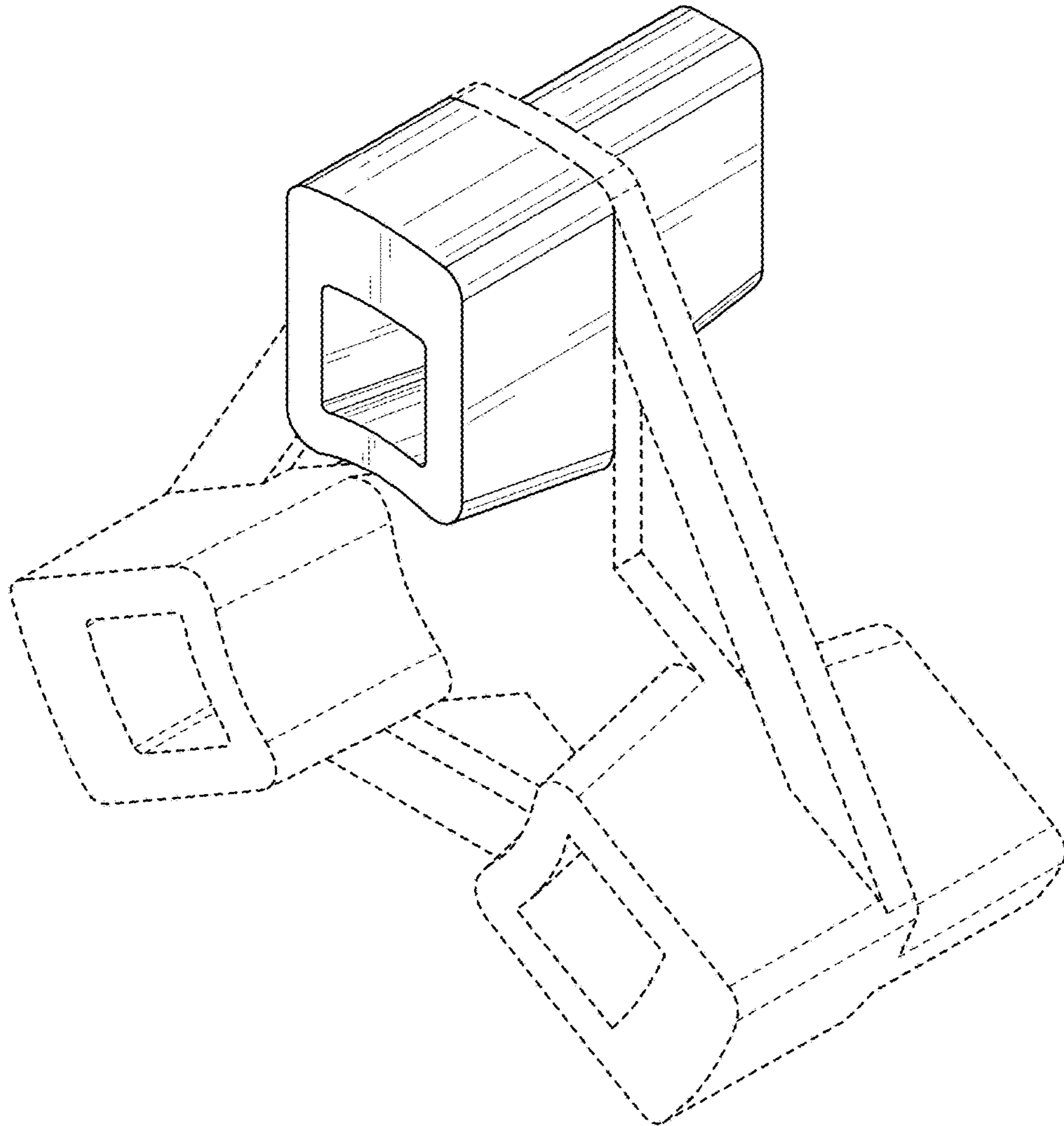


FIG. 17

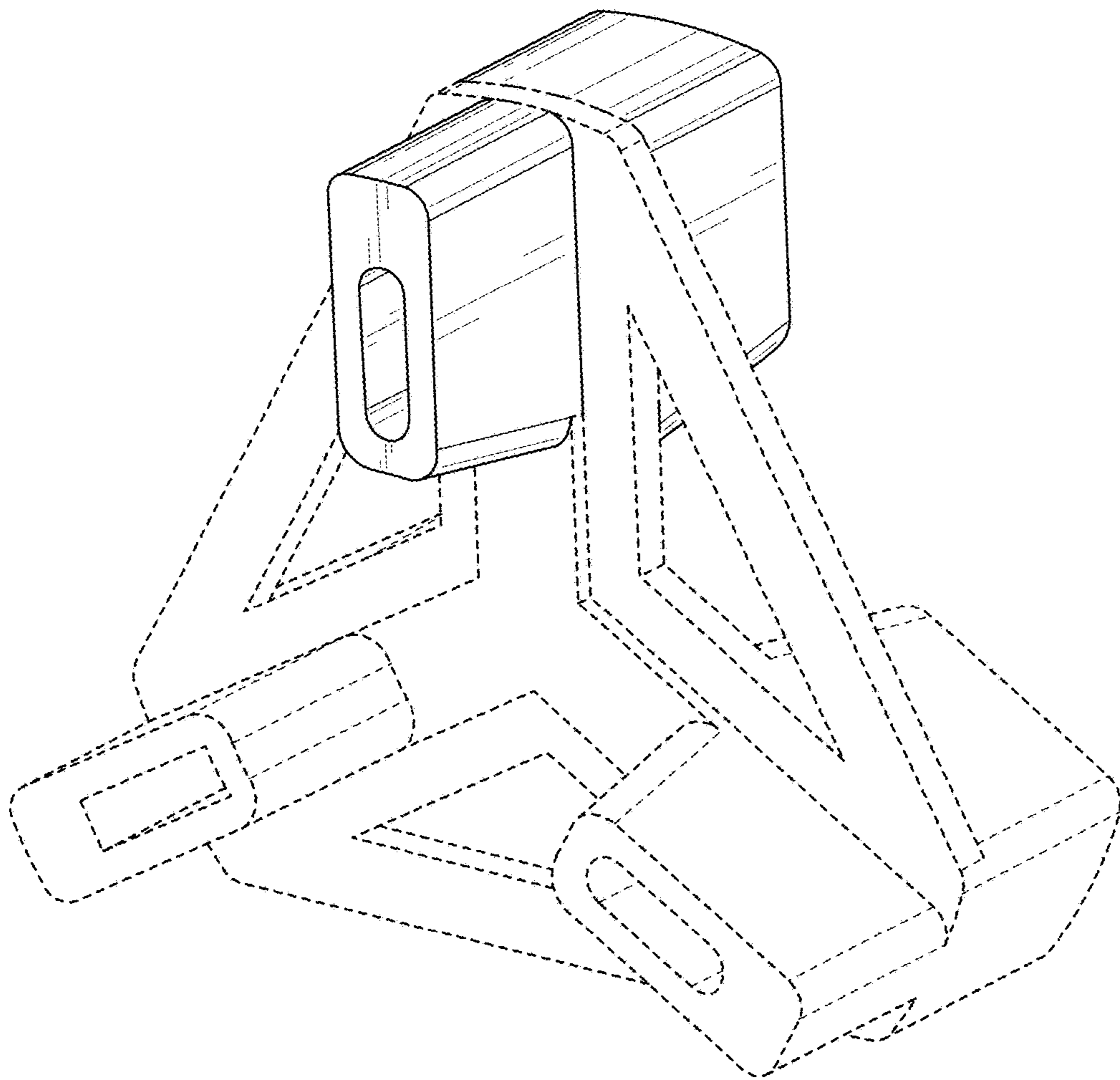


FIG. 18

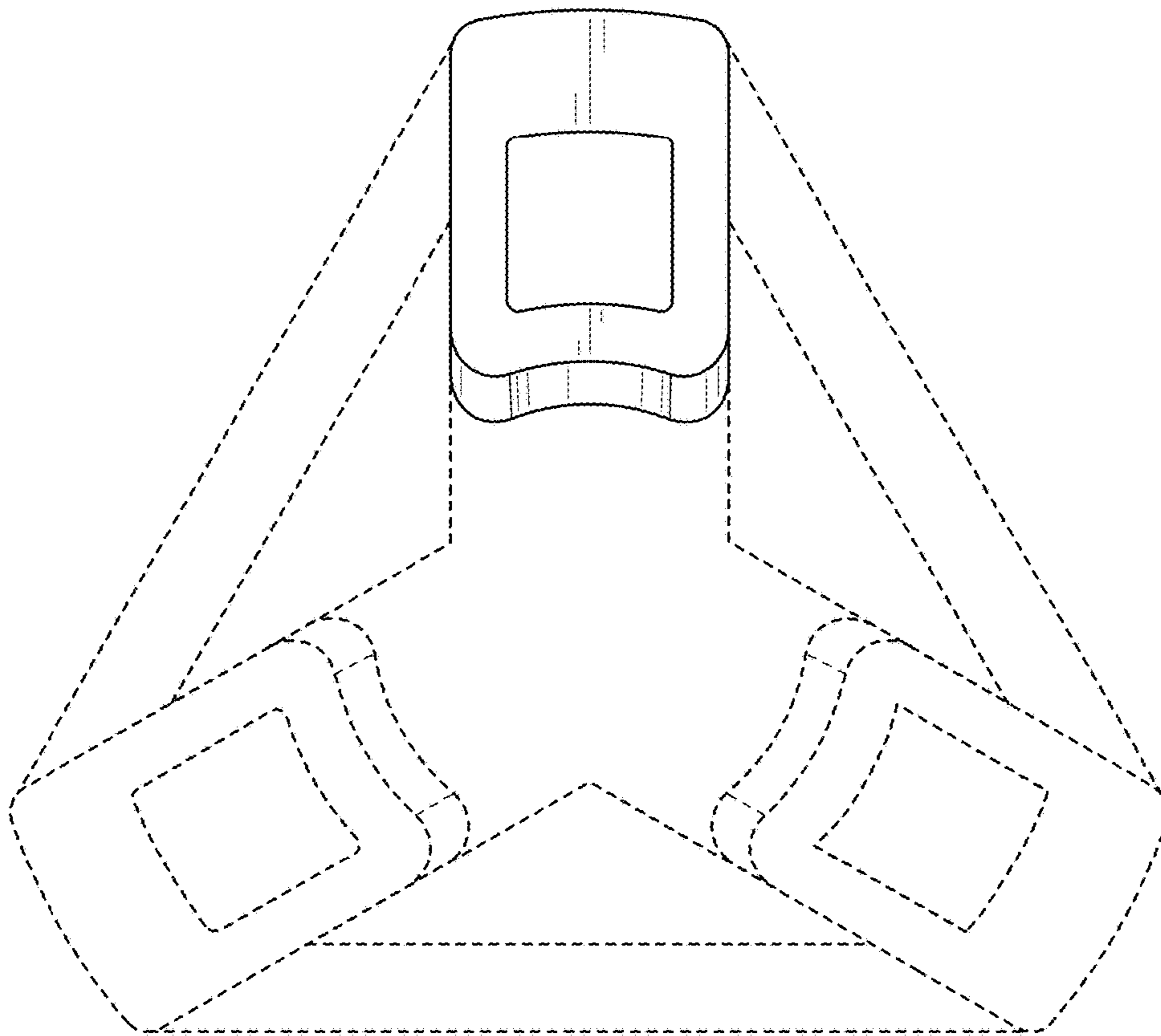


FIG. 19

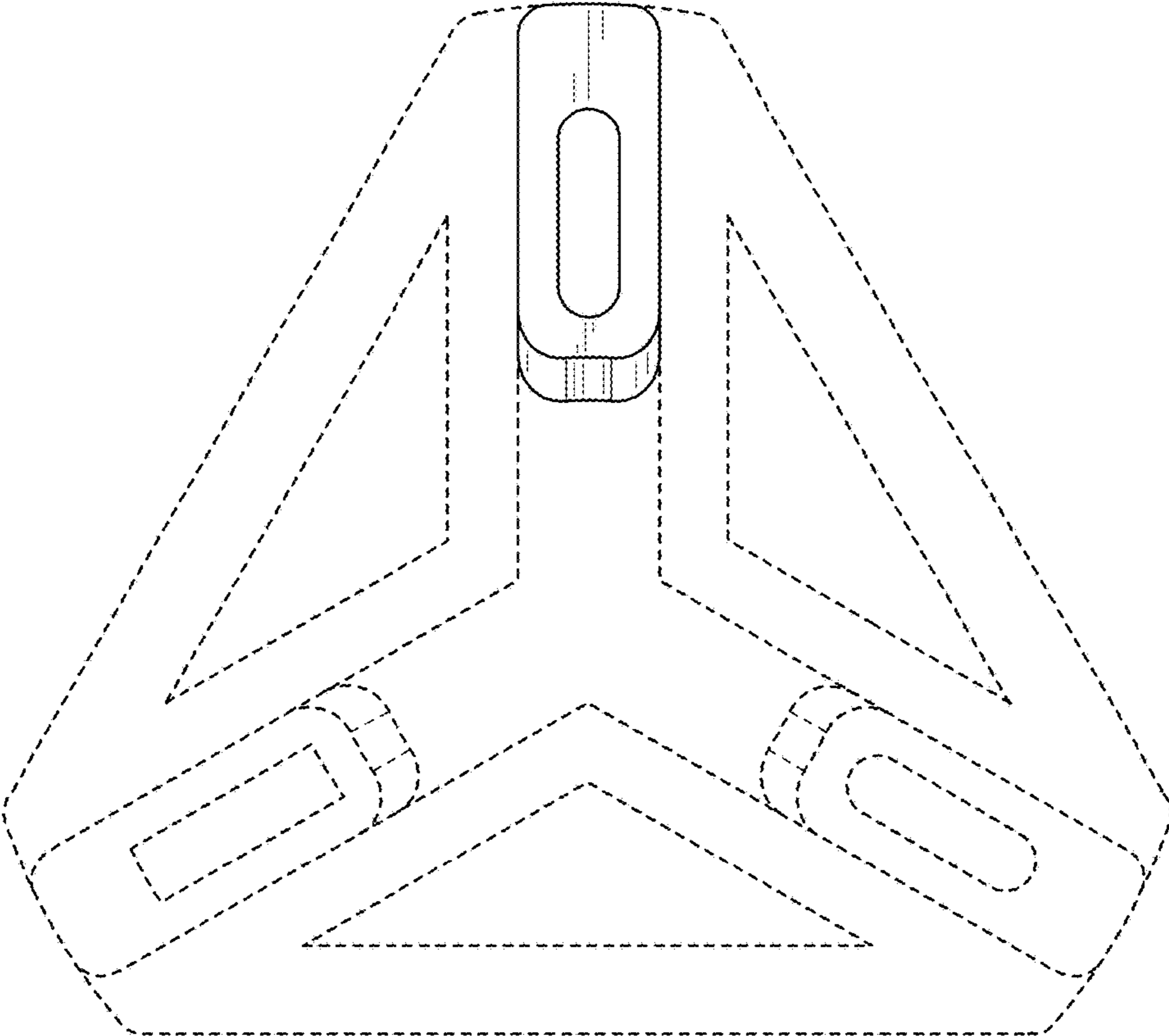


FIG. 20

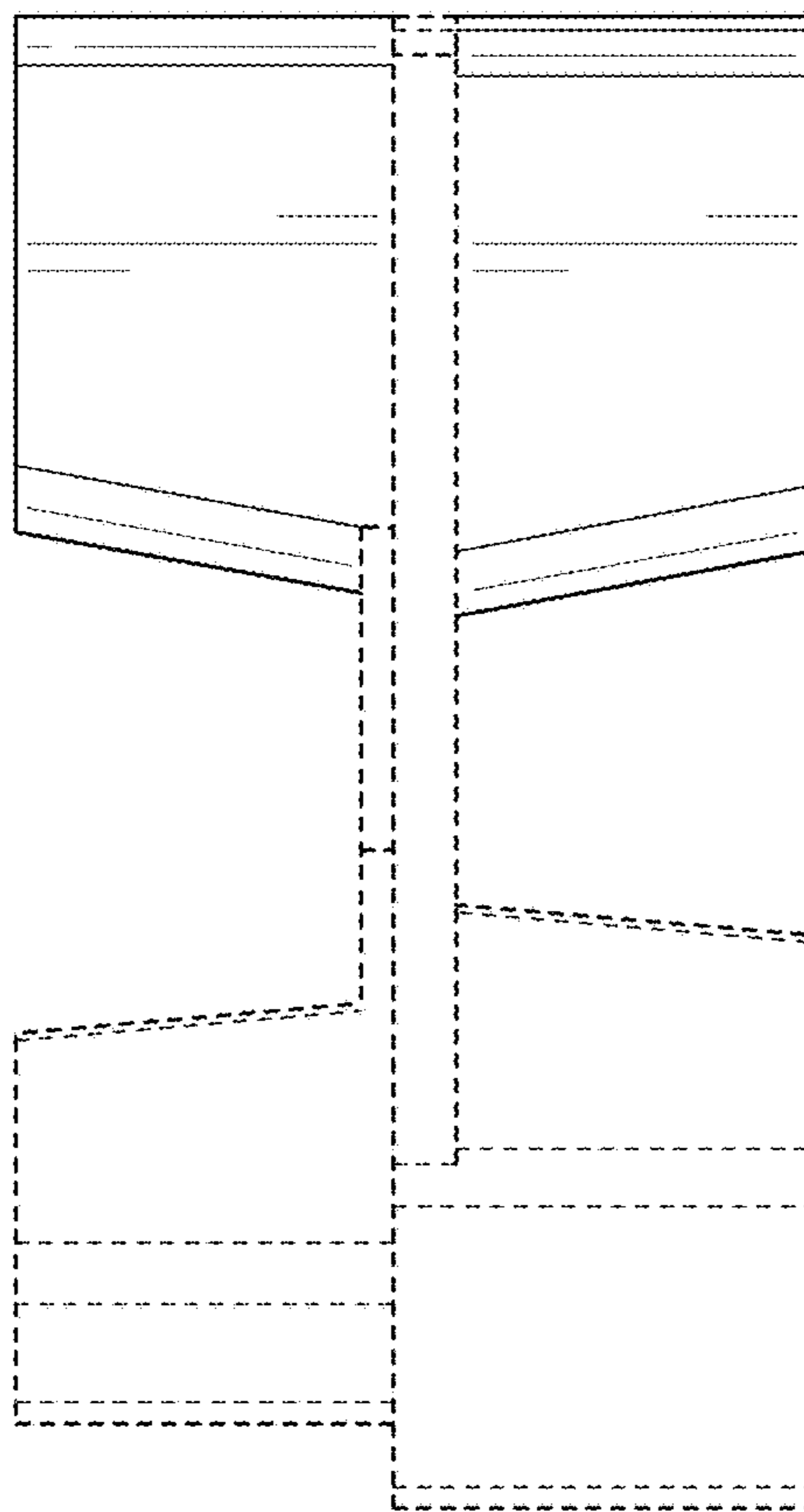


FIG. 21

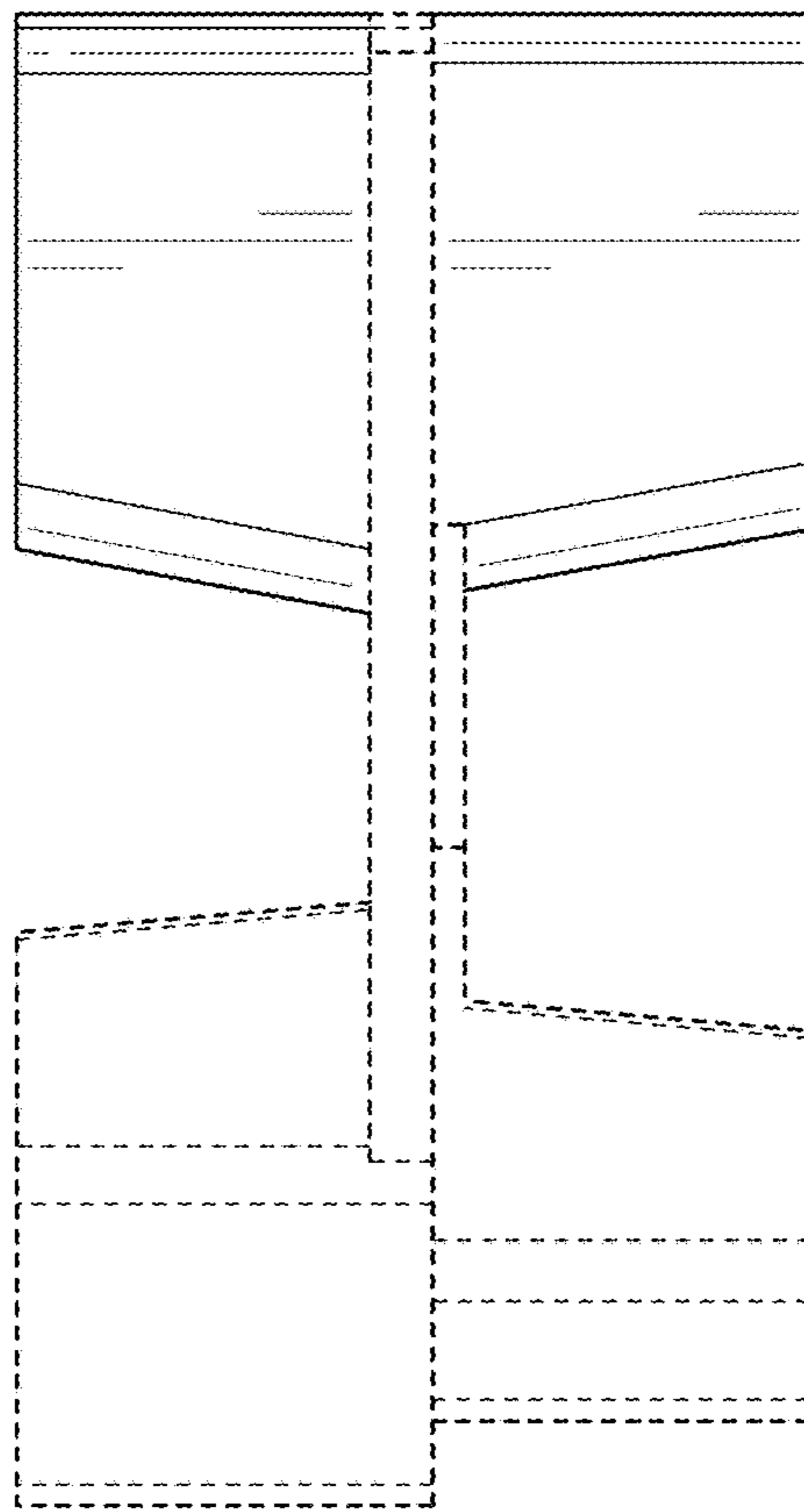


FIG. 22



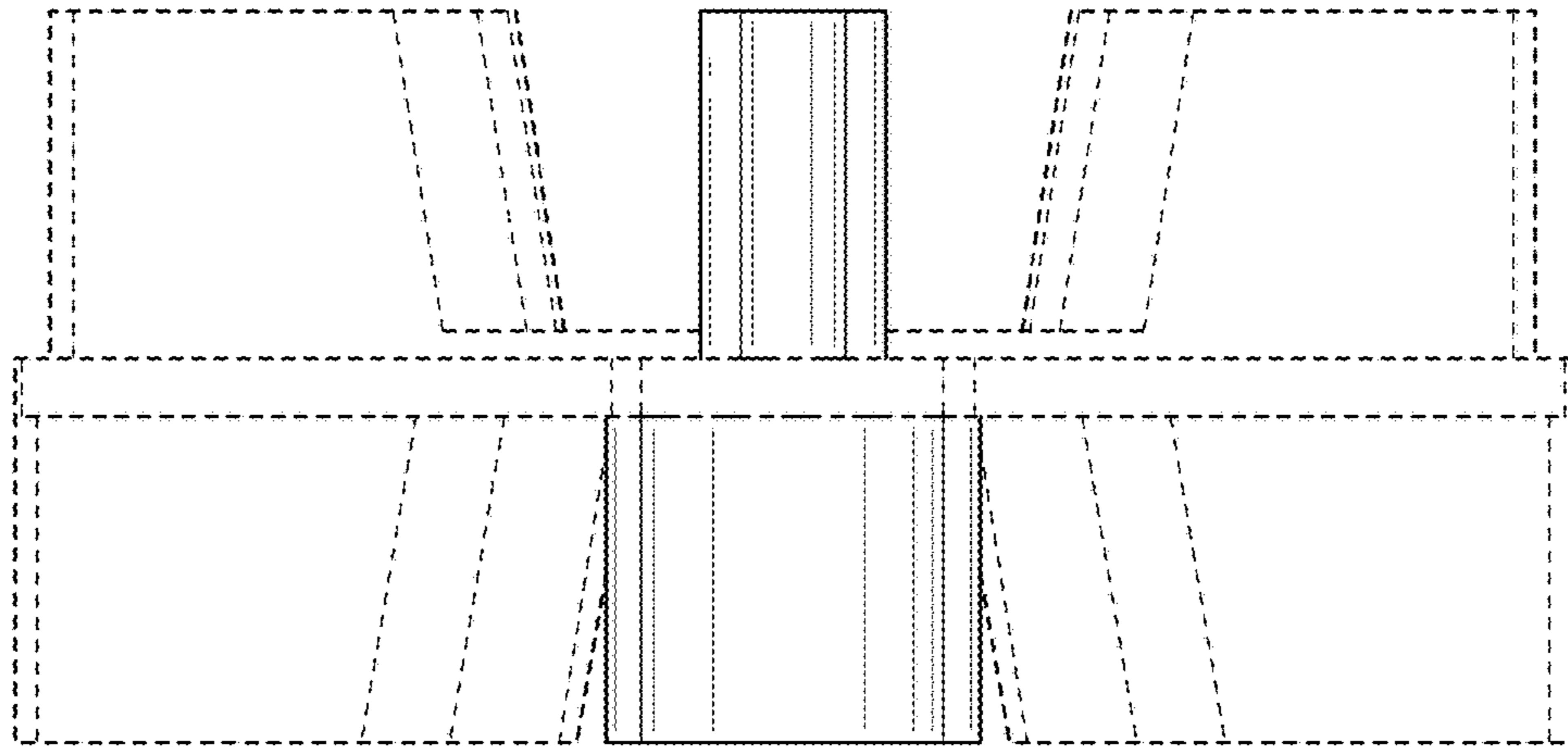


FIG. 23

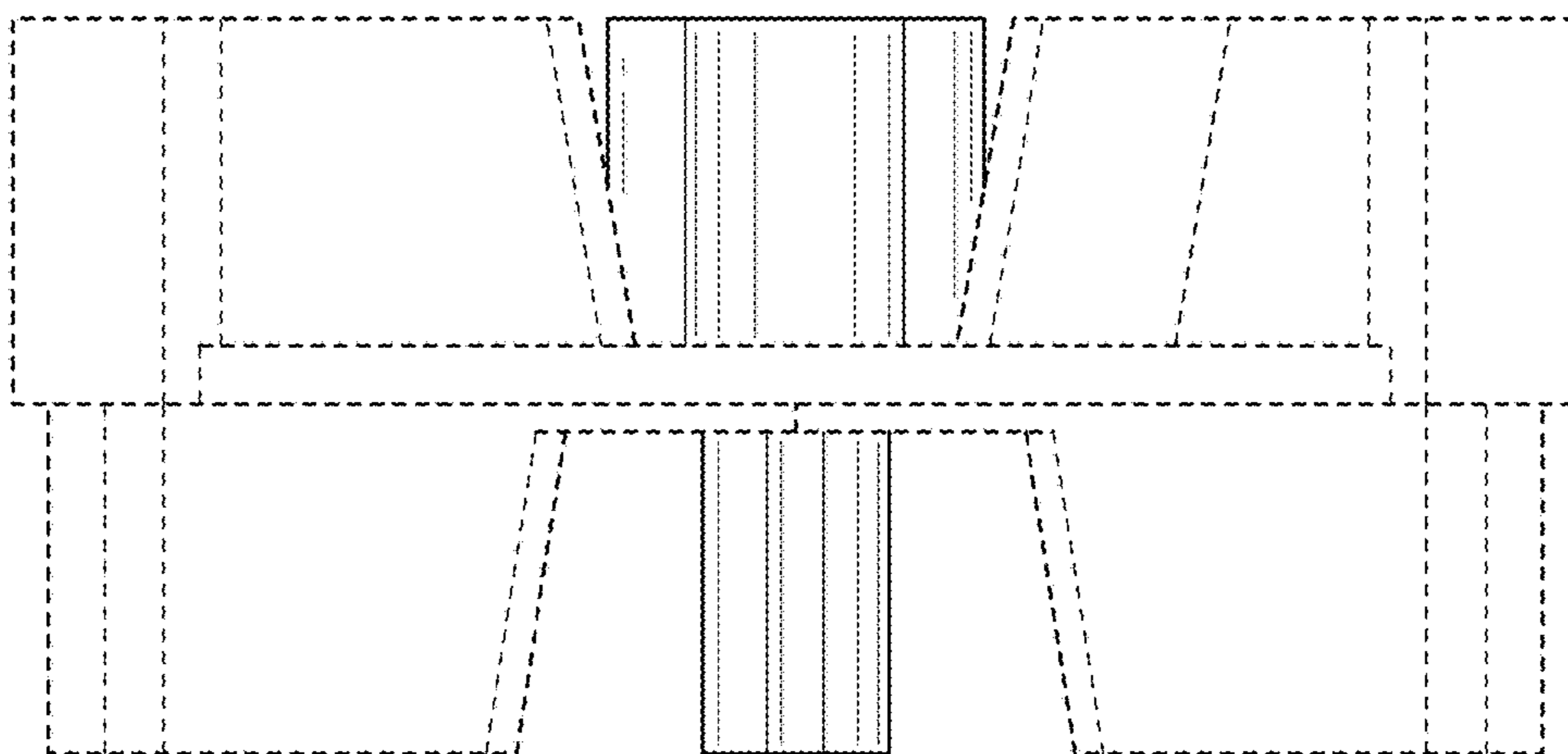


FIG. 24

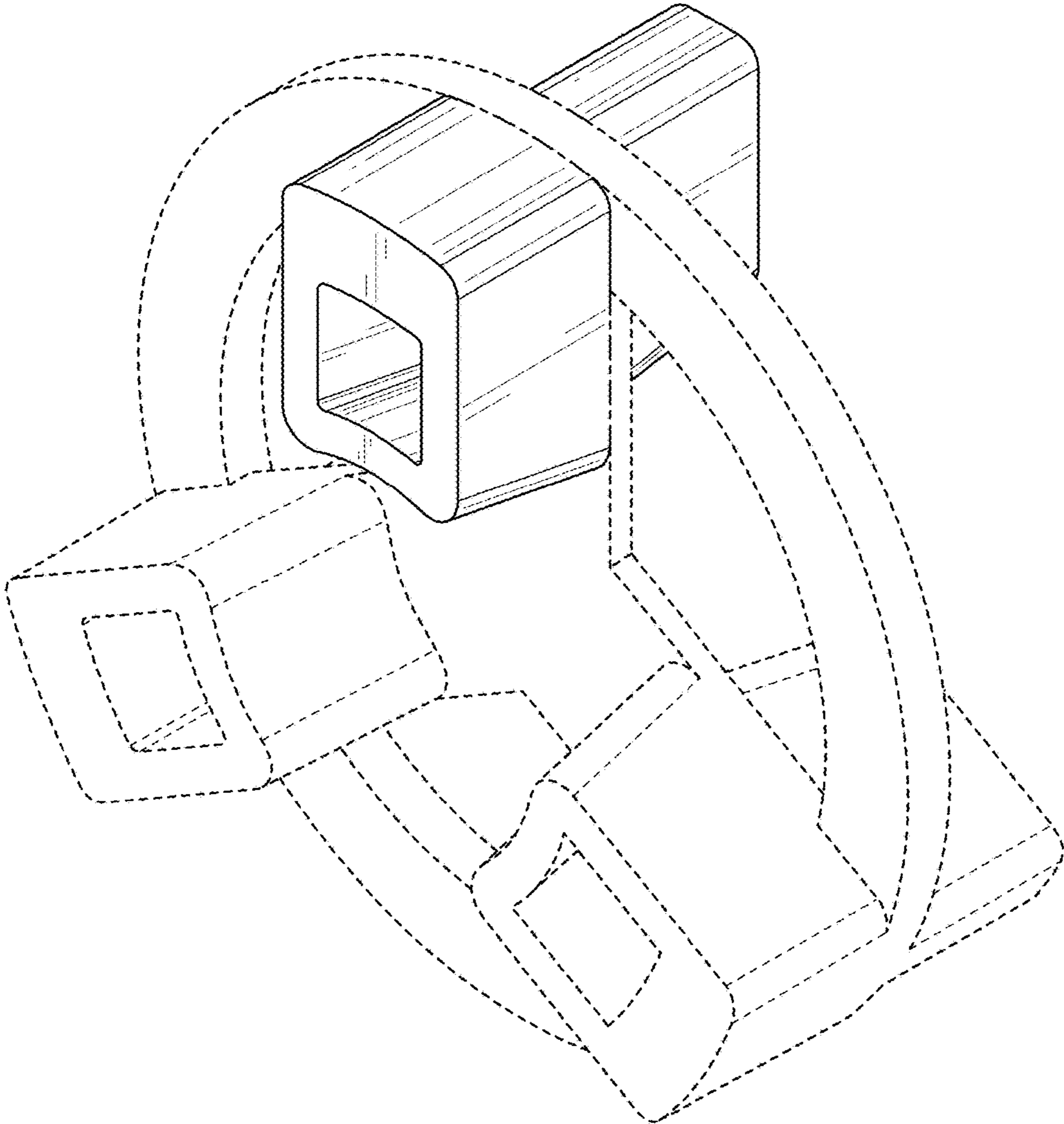


FIG. 25

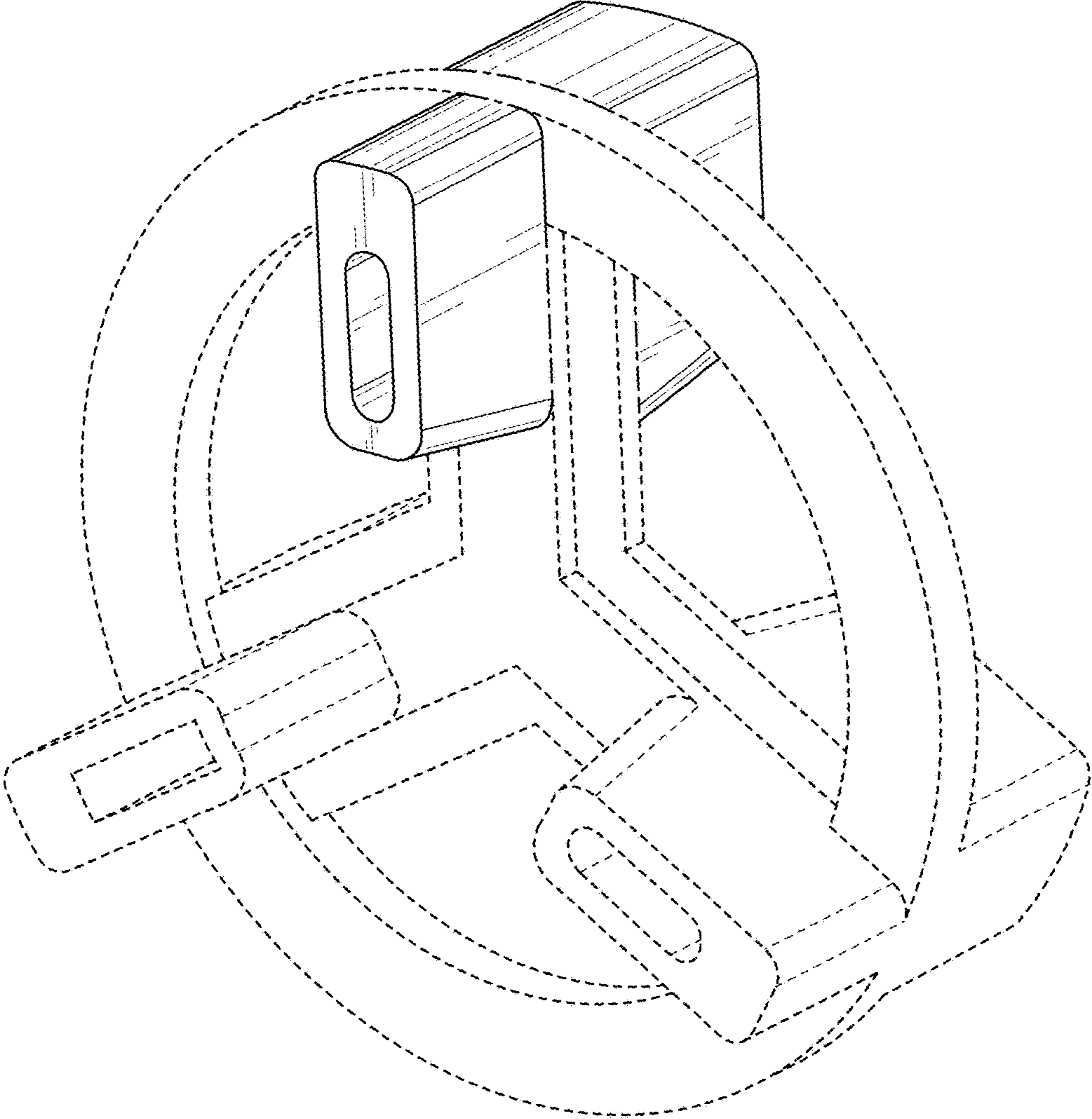


FIG. 26

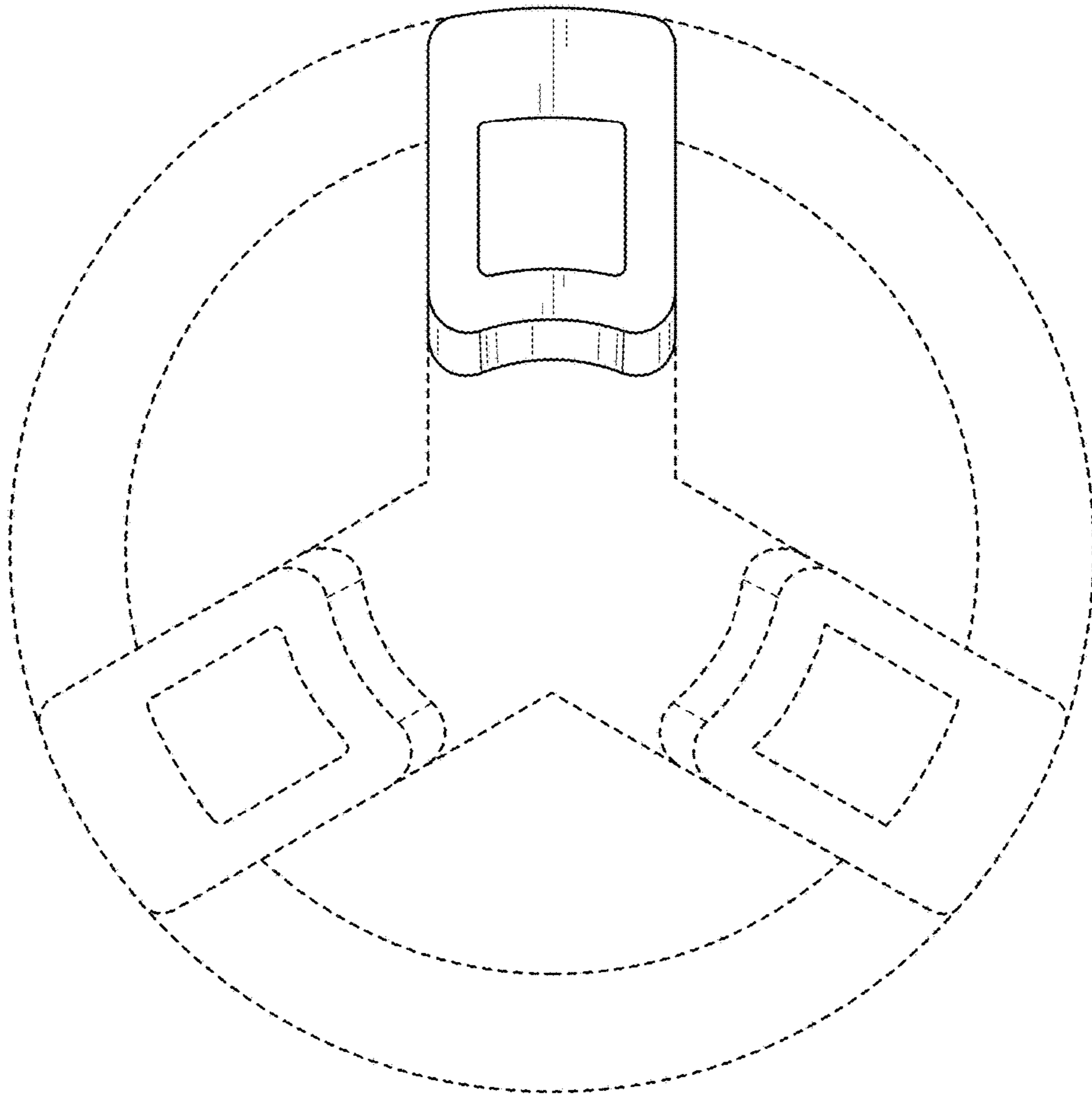


FIG. 27

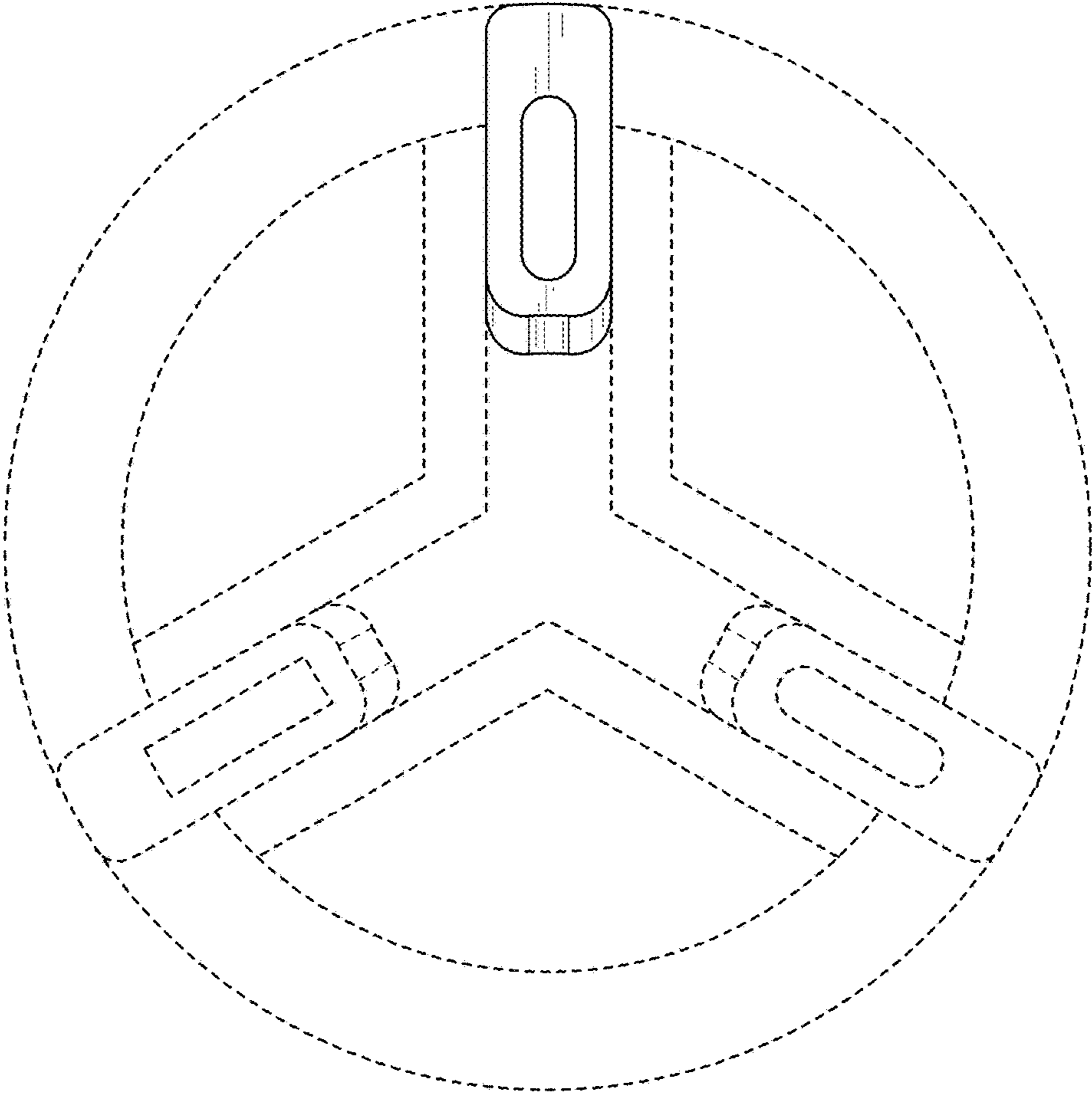


FIG. 28

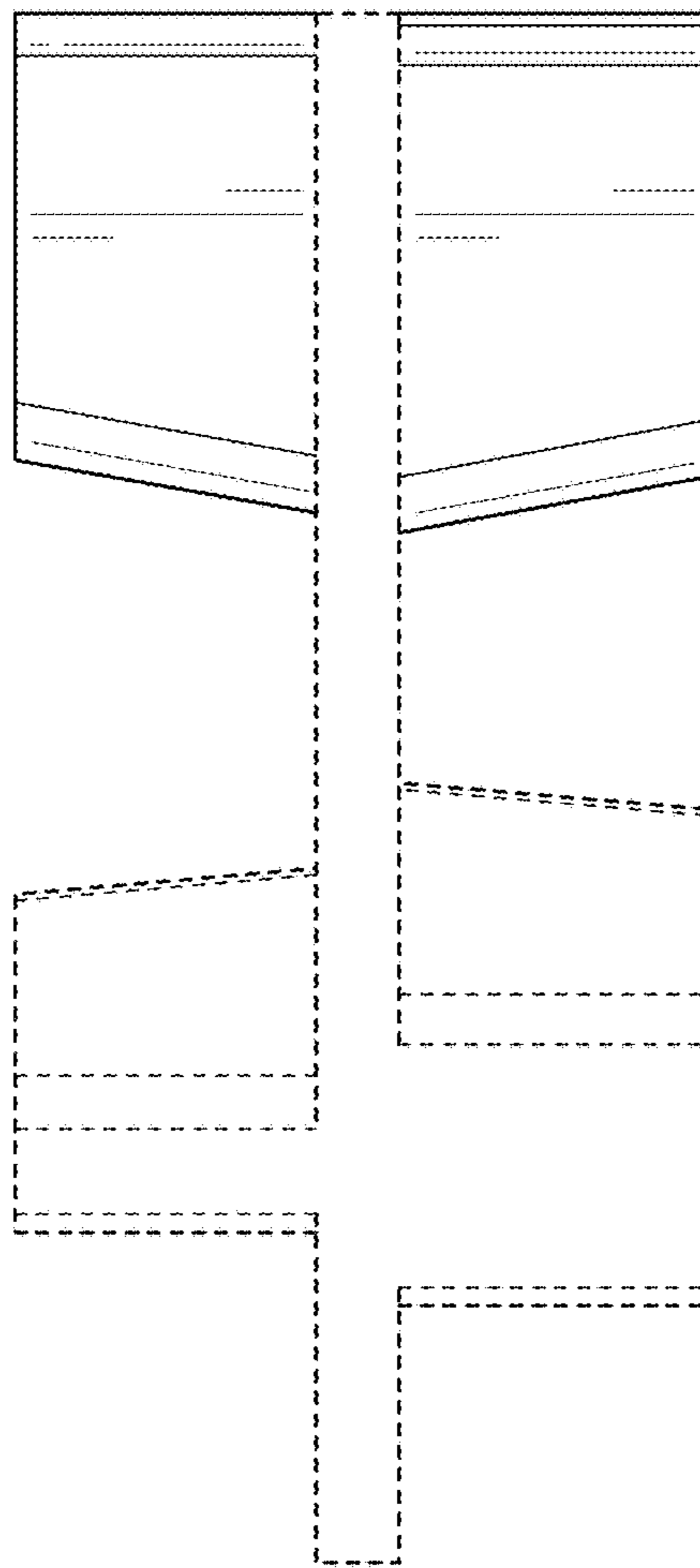


FIG. 29

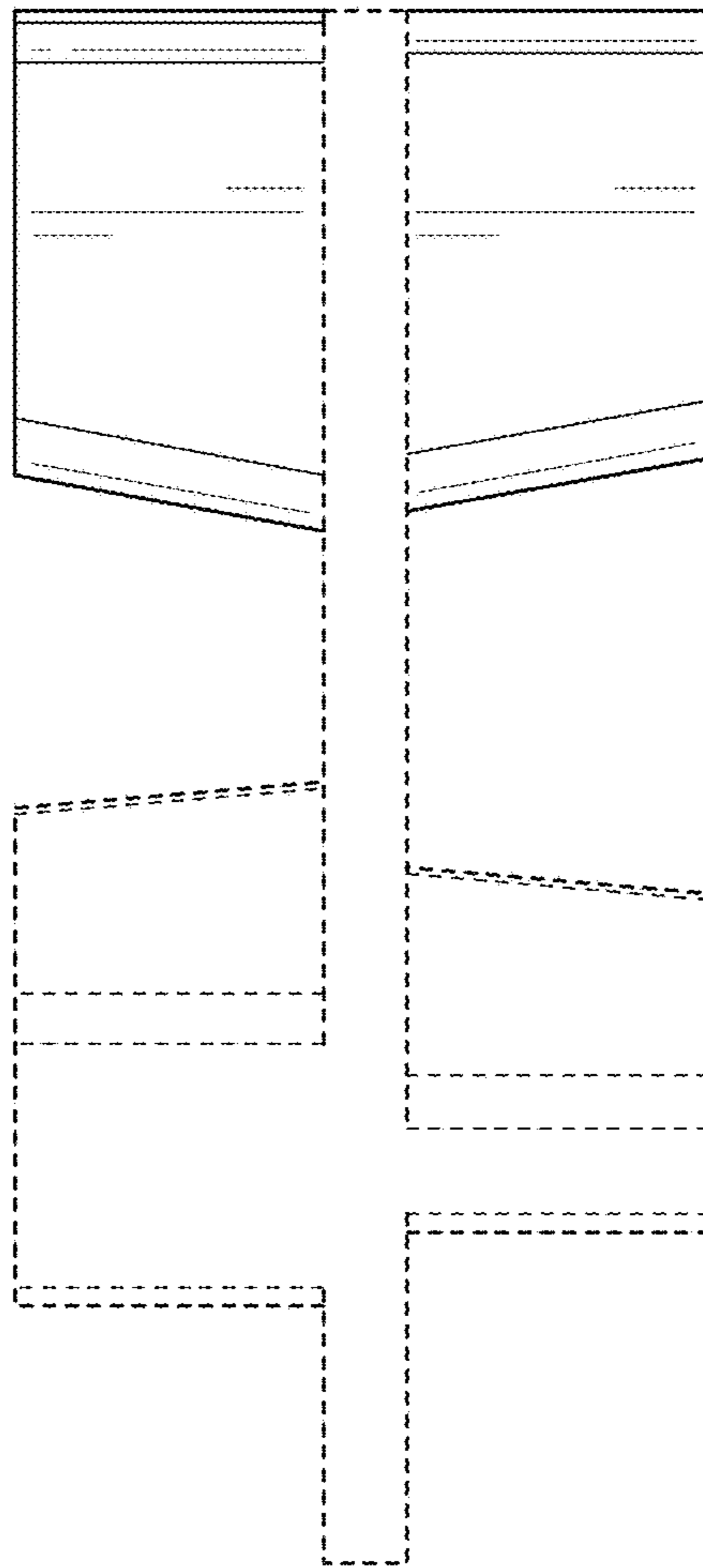


FIG. 30



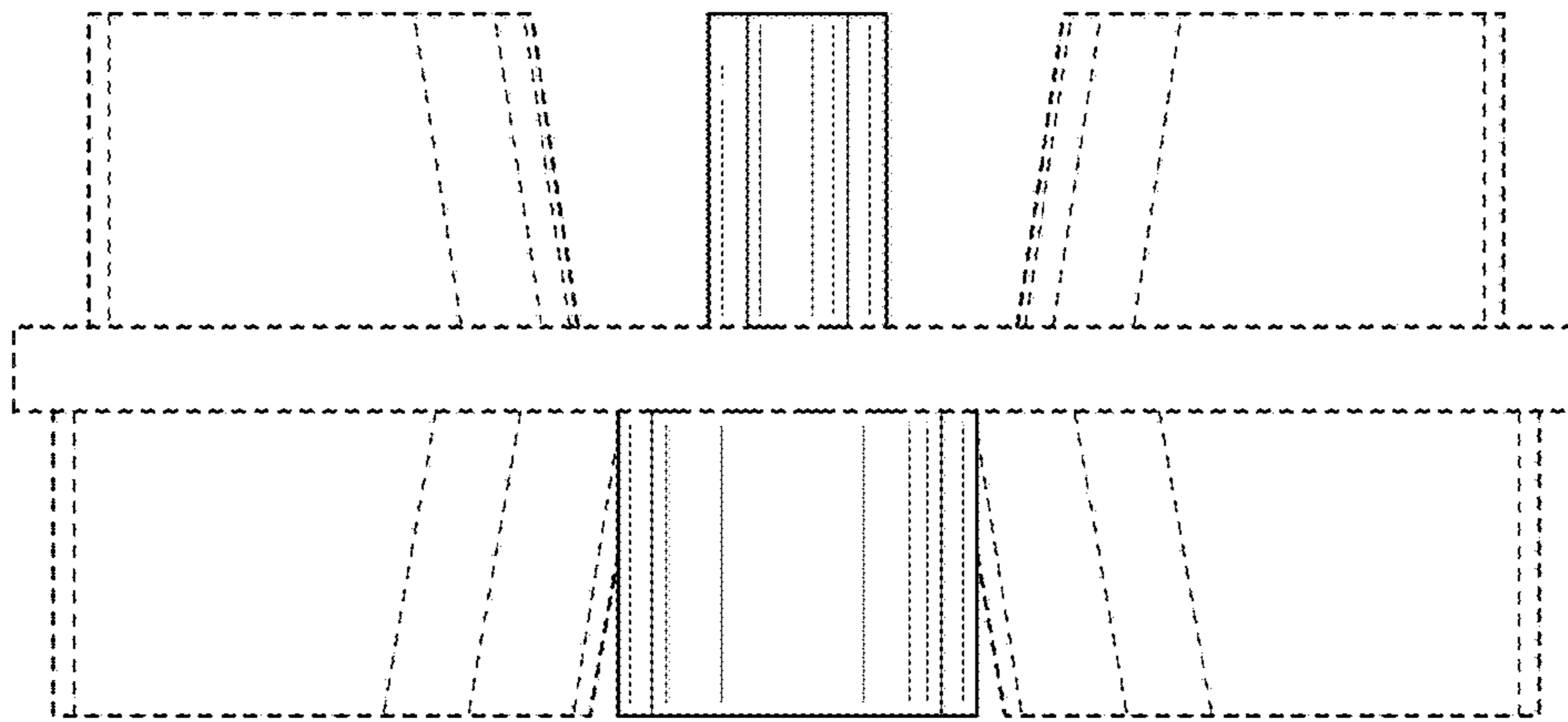


FIG. 31

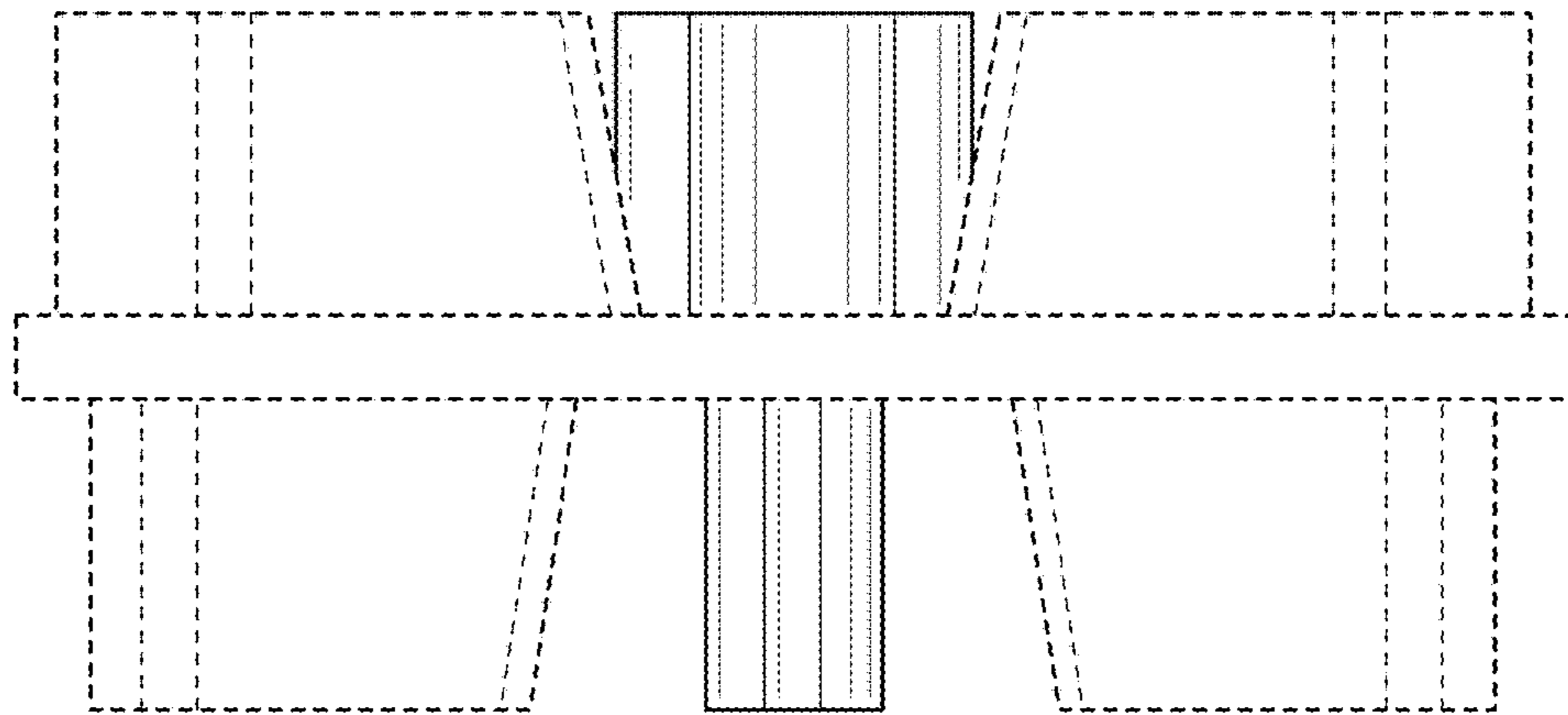


FIG. 32