



US00D857480S

(12) **United States Design Patent** (10) **Patent No.:** **US D857,480 S**  
**Ryan** (45) **Date of Patent:** **\*\* Aug. 27, 2019**

(54) **CHAMFERED CORNER SUPPORT**

FOREIGN PATENT DOCUMENTS

(71) Applicant: **Christopher Ryan**, Newport, RI (US)

KR 300564017.0001 \* 9/2010

(72) Inventor: **Christopher Ryan**, Newport, RI (US)

*Primary Examiner* — Leanne Was-Englehart

(\*\*) Term: **15 Years**

(74) *Attorney, Agent, or Firm* — Keeley DeAngelo LLP;  
W Scott Keeley

(21) Appl. No.: **29/600,051**

(57) **CLAIM**

(22) Filed: **Apr. 10, 2017**

The ornamental design for a chamfered corner support, as shown and described.

(51) **LOC (12) Cl.** ..... **08-08**

(52) **U.S. Cl.**

**DESCRIPTION**

USPC ..... **D8/354**

(58) **Field of Classification Search**

USPC ..... D6/512, 553, 567, 702, 711, 712, 717;  
D8/349, 354, 373, 374, 382, 400, 403,  
D8/499; D25/102

CPC ..... A47B 13/08; A47B 96/00; A47B 96/02;  
A47B 96/06; A47B 96/022; A47B  
96/061; A47B 95/00; A47B 5/00; A47B  
23/043; B65D 81/056; F16B 12/46;  
F16M 11/20

See application file for complete search history.

FIG. 1 is a front perspective view of a chamfered corner support in accordance with the subject disclosure.

FIG. 2 is a front view of the chamfered corner support of FIG. 1.

FIG. 3 is a rear view of the chamfered corner support of FIG. 1.

FIG. 4 is a right side view of the chamfered corner support of FIG. 1.

FIG. 5 is a left side view of the chamfered corner support of FIG. 1.

FIG. 6 is a top view of the chamfered corner support of FIG. 1.

FIG. 7 is a bottom view of the chamfered corner support of FIG. 1.

FIG. 8 is a rear perspective view of the chamfered corner support of FIG. 1.

FIG. 9 is a perspective view of two of the chamfered corner support of FIG. 1 on a coffee table; and,

FIG. 10 is a perspective view of the chamfered corner support of FIG. 1 on a coffee table.

The evenly spaced broken lines in FIGS. 1-10 depict portions of the chamfered corner support that form no part of the claimed design. The dot dash broken lines in FIG. 9 showing a coffee table depicts environment. The dot dash broken line circles in FIGS. 9 & 10 depict the limits of the enlarged view and form no part of the claimed design.

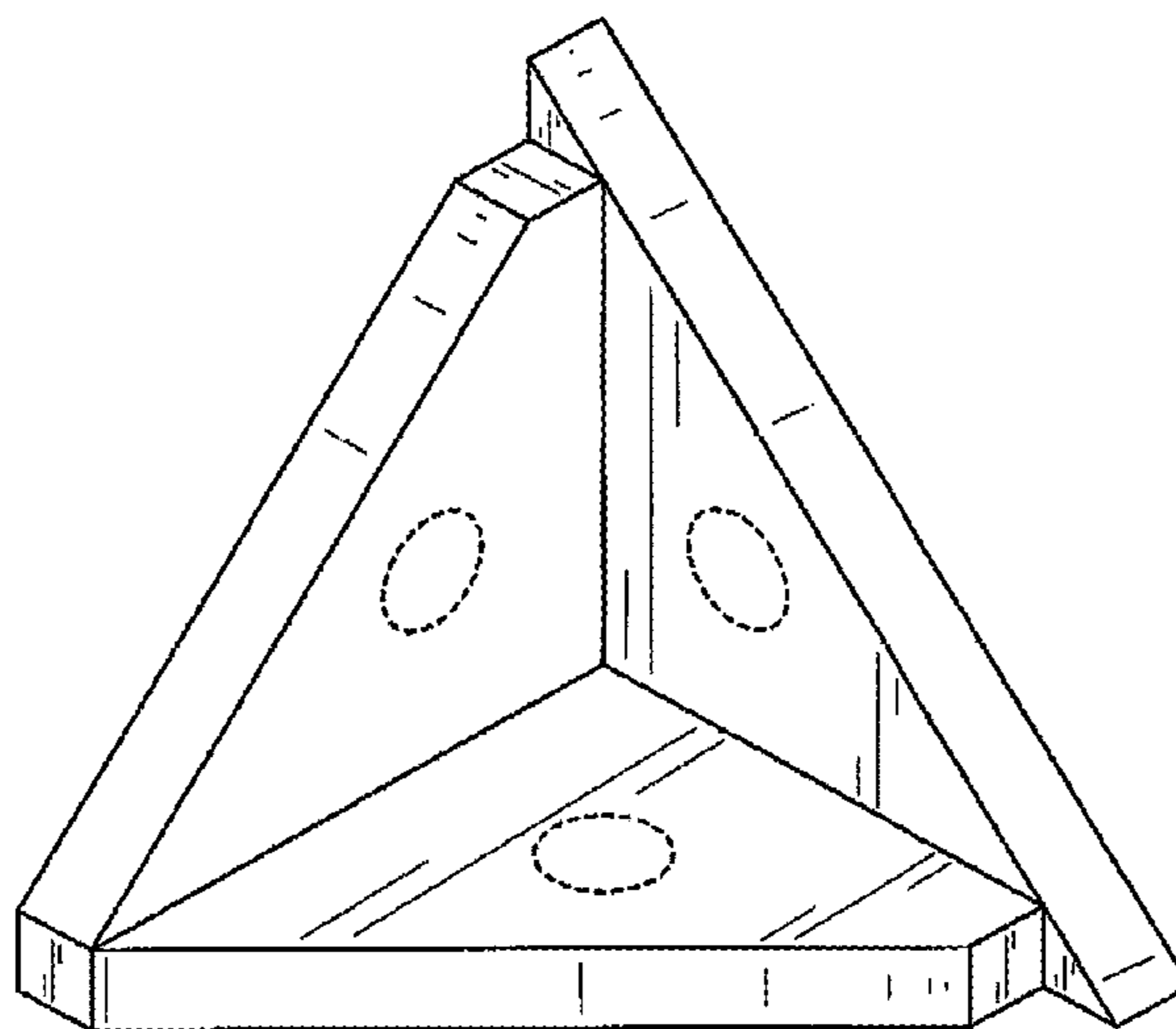
(56) **References Cited**

U.S. PATENT DOCUMENTS

D41,607 S *	7/1911	Essegian	.....	D8/403
1,527,543 A *	2/1925	Ellenbecker	.....	F16B 12/46
				108/161
2,476,197 A *	7/1949	Kincaid	.....	B65D 81/056
				206/586
D175,229 S *	7/1955	Neufeld	.....	D25/102
2,938,759 A *	5/1960	Rudow	.....	F16B 12/52
				248/188
3,137,087 A *	6/1964	Shroyer	.....	B65D 81/056
				206/586
3,151,832 A *	10/1964	Doll	.....	B65D 81/056
				248/345.1
3,220,683 A *	11/1965	Doll	.....	B65D 81/056
				206/586

(Continued)

**1 Claim, 6 Drawing Sheets**



(56)

**References Cited**

U.S. PATENT DOCUMENTS

3,294,223 A \* 12/1966 Goban ..... B65D 81/056  
 206/522  
 D253,506 S \* 11/1979 Vigue ..... D8/403  
 4,413,570 A \* 11/1983 Haigh ..... A47B 13/08  
 108/156  
 4,838,427 A \* 6/1989 Hurley ..... B29C 51/162  
 206/326  
 5,297,682 A \* 3/1994 Miltenberger ..... B65D 81/056  
 206/453  
 5,312,078 A \* 5/1994 Marsh ..... A47B 96/06  
 248/220.1  
 D364,556 S \* 11/1995 Lee ..... D8/499  
 5,899,088 A \* 5/1999 Purdum ..... B65D 81/056  
 62/371  
 6,776,380 B1 \* 8/2004 Kirk, Jr. .... A47B 13/021  
 16/19

6,854,239 B2 \* 2/2005 White ..... A47B 87/0215  
 16/29  
 D505,065 S \* 5/2005 Smeja ..... D8/499  
 D523,740 S \* 6/2006 Harris ..... D8/403  
 D557,795 S \* 12/2007 Esjunin ..... D23/422  
 D596,874 S \* 7/2009 Martin ..... D6/702  
 D601,414 S \* 10/2009 Riley ..... D8/499  
 D605,309 S \* 12/2009 Schick ..... D25/102  
 D606,384 S \* 12/2009 Antonic ..... D8/354  
 D673,029 S \* 12/2012 Apestegua Martinez .... D8/349  
 D753,465 S \* 4/2016 Marsh ..... D8/349  
 D784,790 S \* 4/2017 Marsh ..... D8/349  
 2007/0094992 A1 \* 5/2007 Antonic ..... E04B 1/24  
 52/656.1  
 2011/0108788 A1 \* 5/2011 Plumb ..... A01G 9/28  
 256/25  
 2011/0253015 A1 \* 10/2011 Trimble ..... A47B 13/08  
 108/50.11  
 2017/0036589 A1 \* 2/2017 Grochowski ..... B60P 7/13

\* cited by examiner

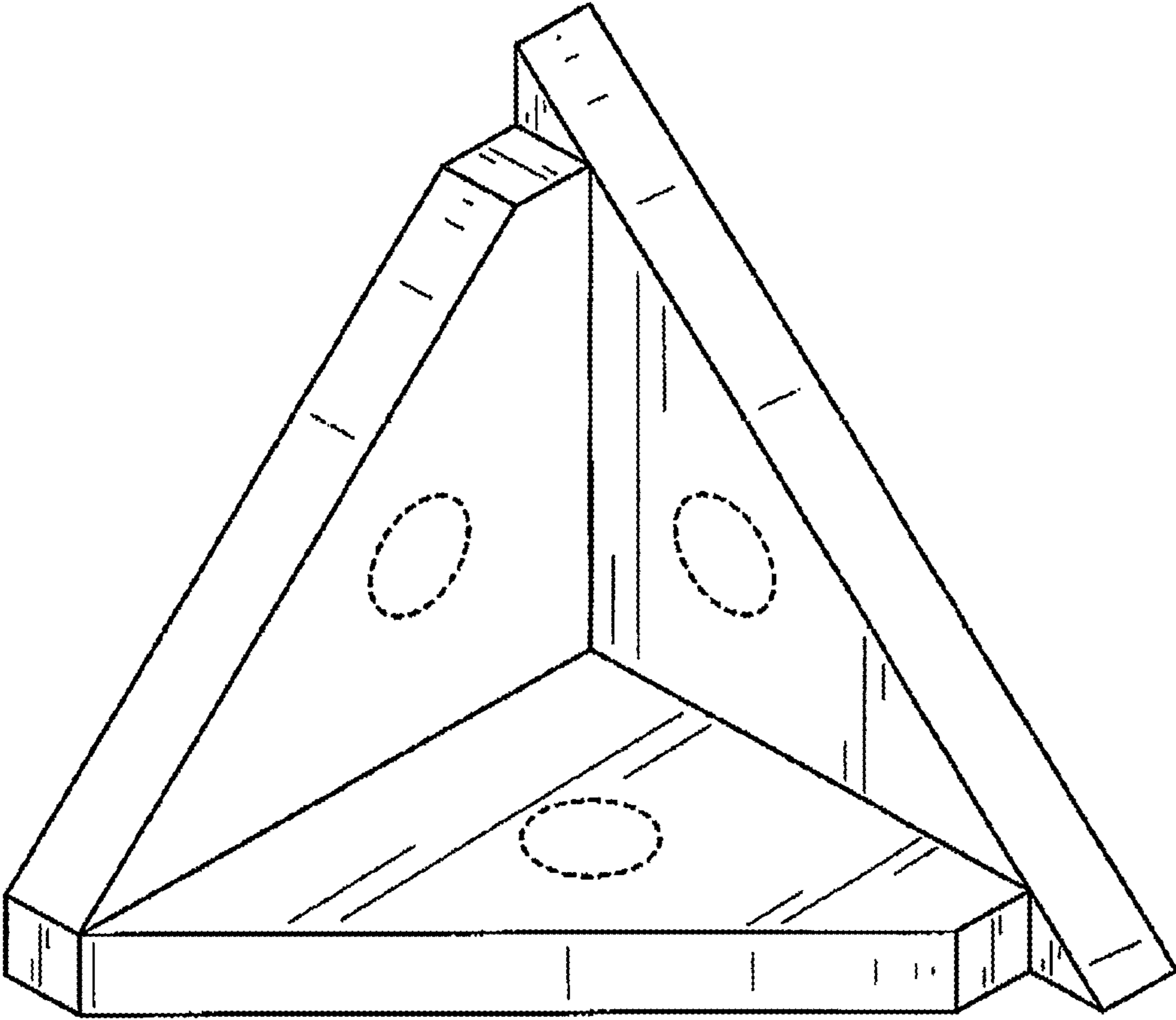


FIG. 1

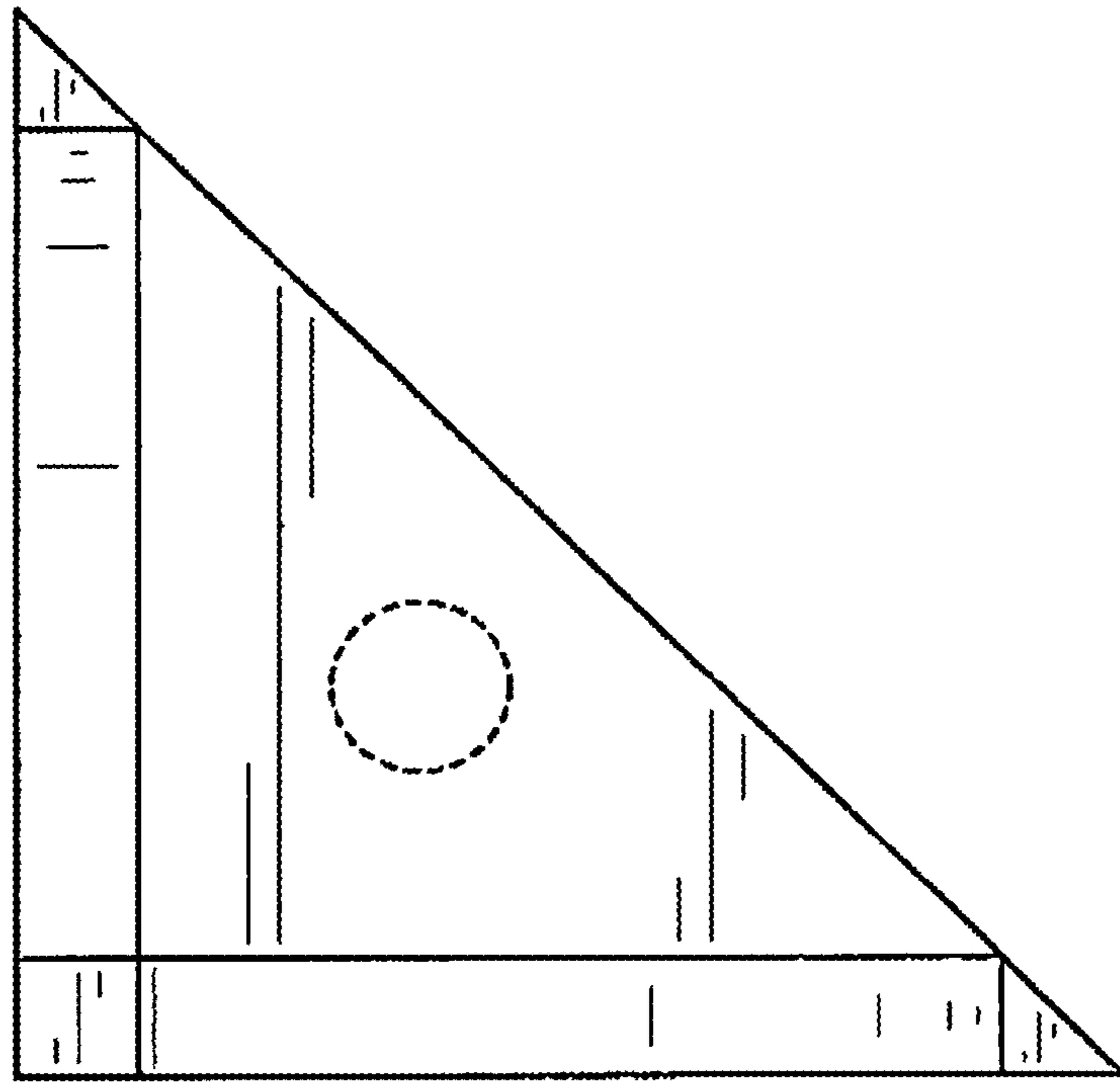


FIG. 2

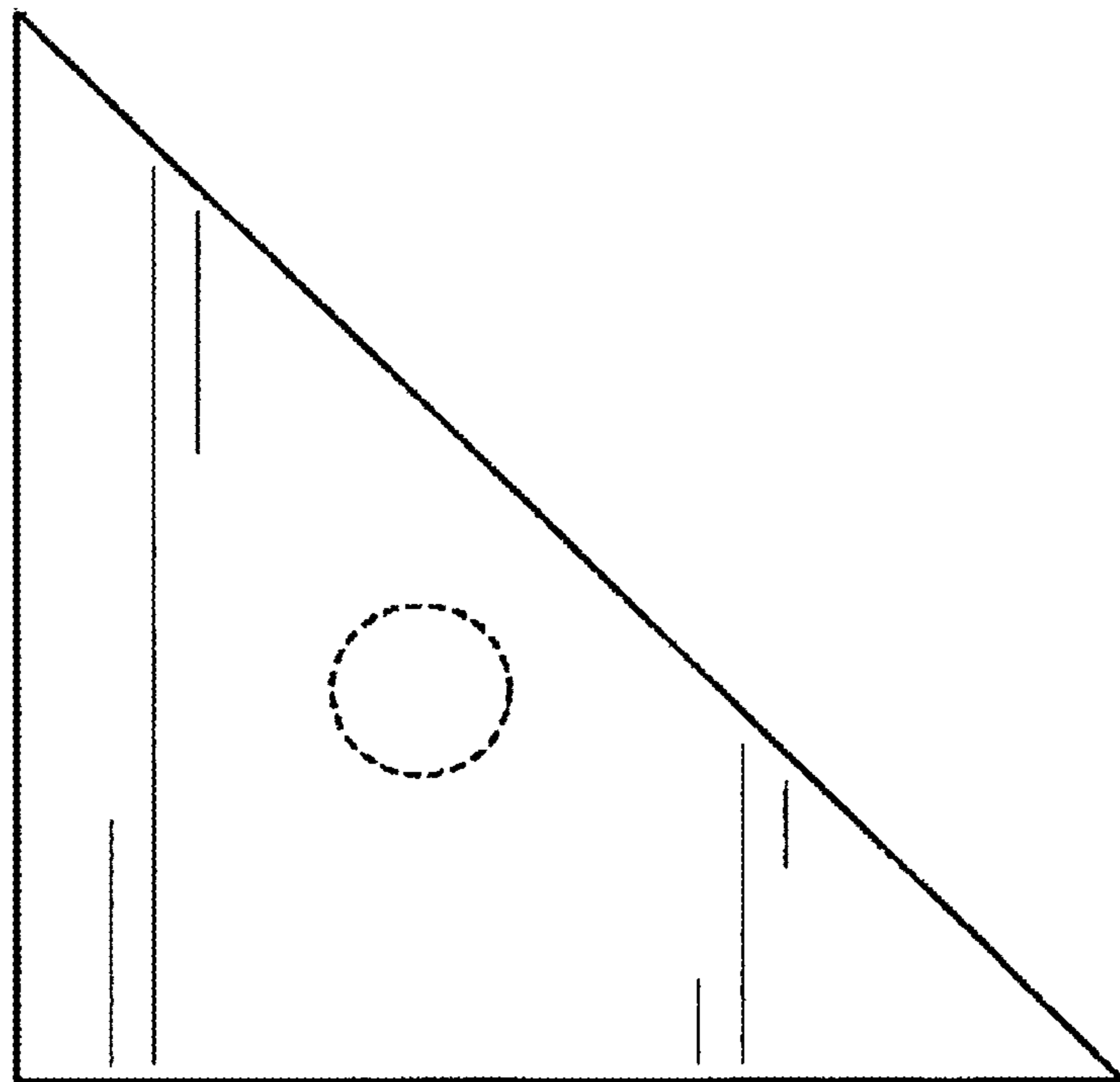


FIG. 3

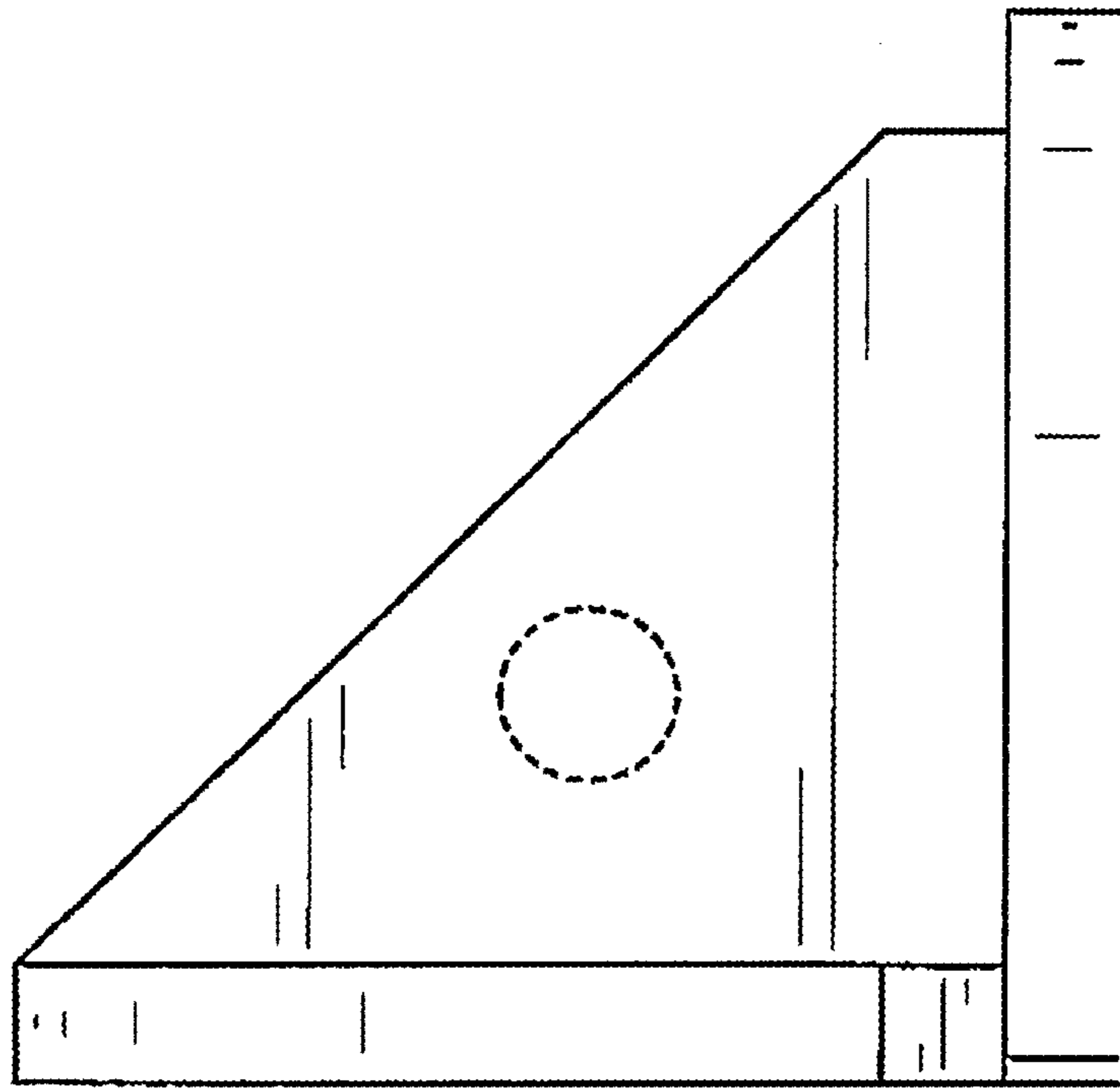


FIG. 4

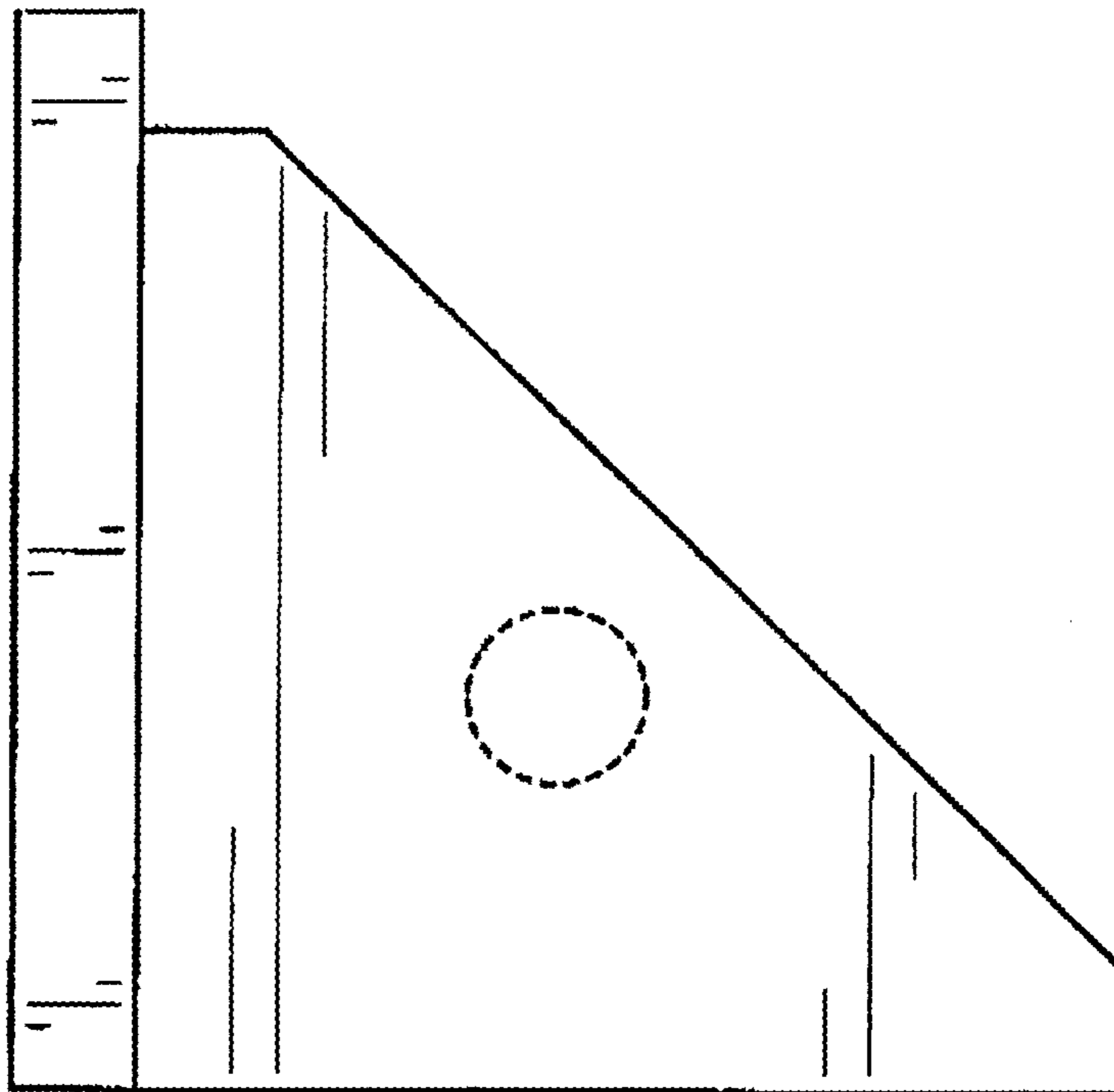


FIG. 5

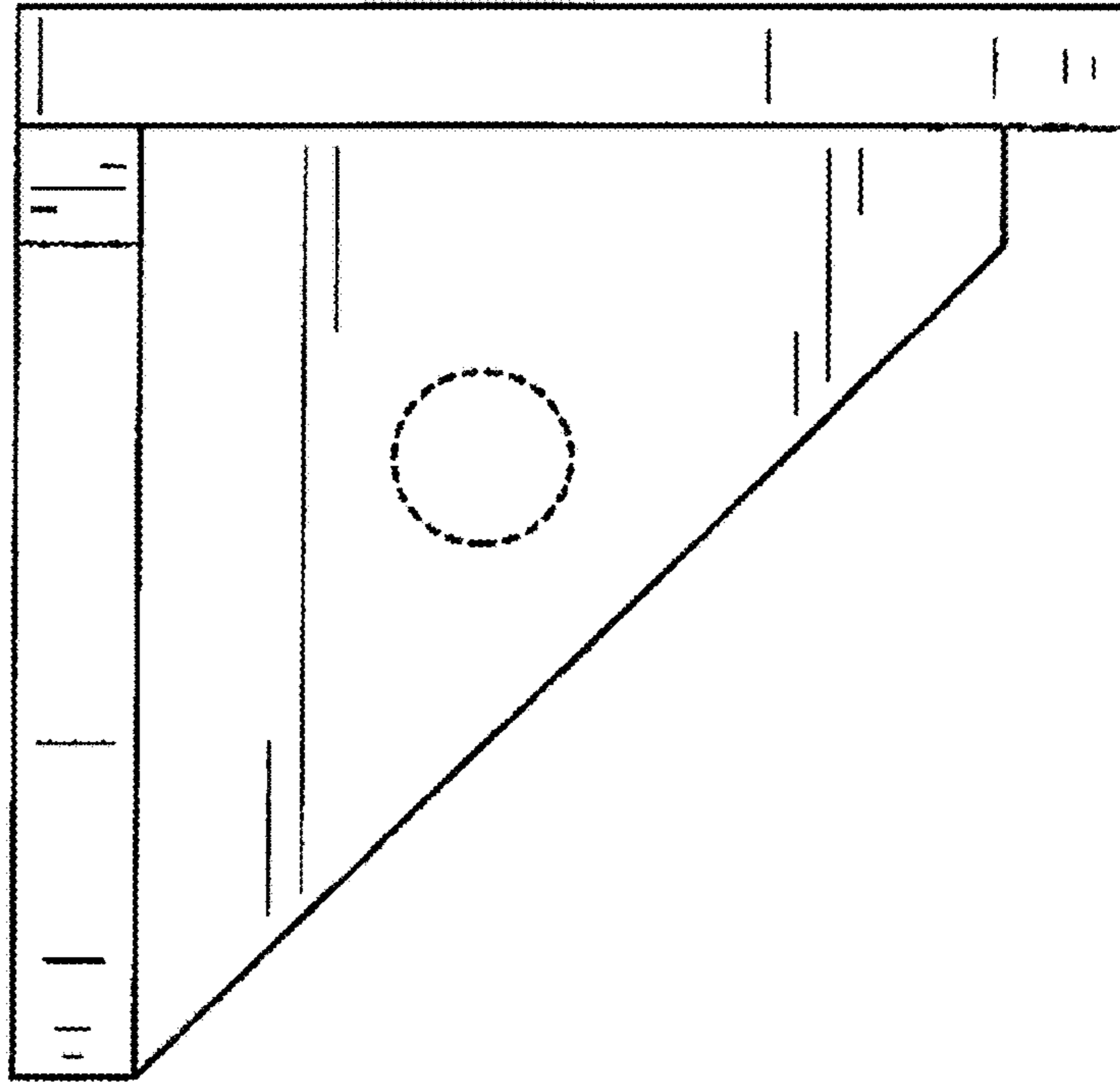


FIG. 6

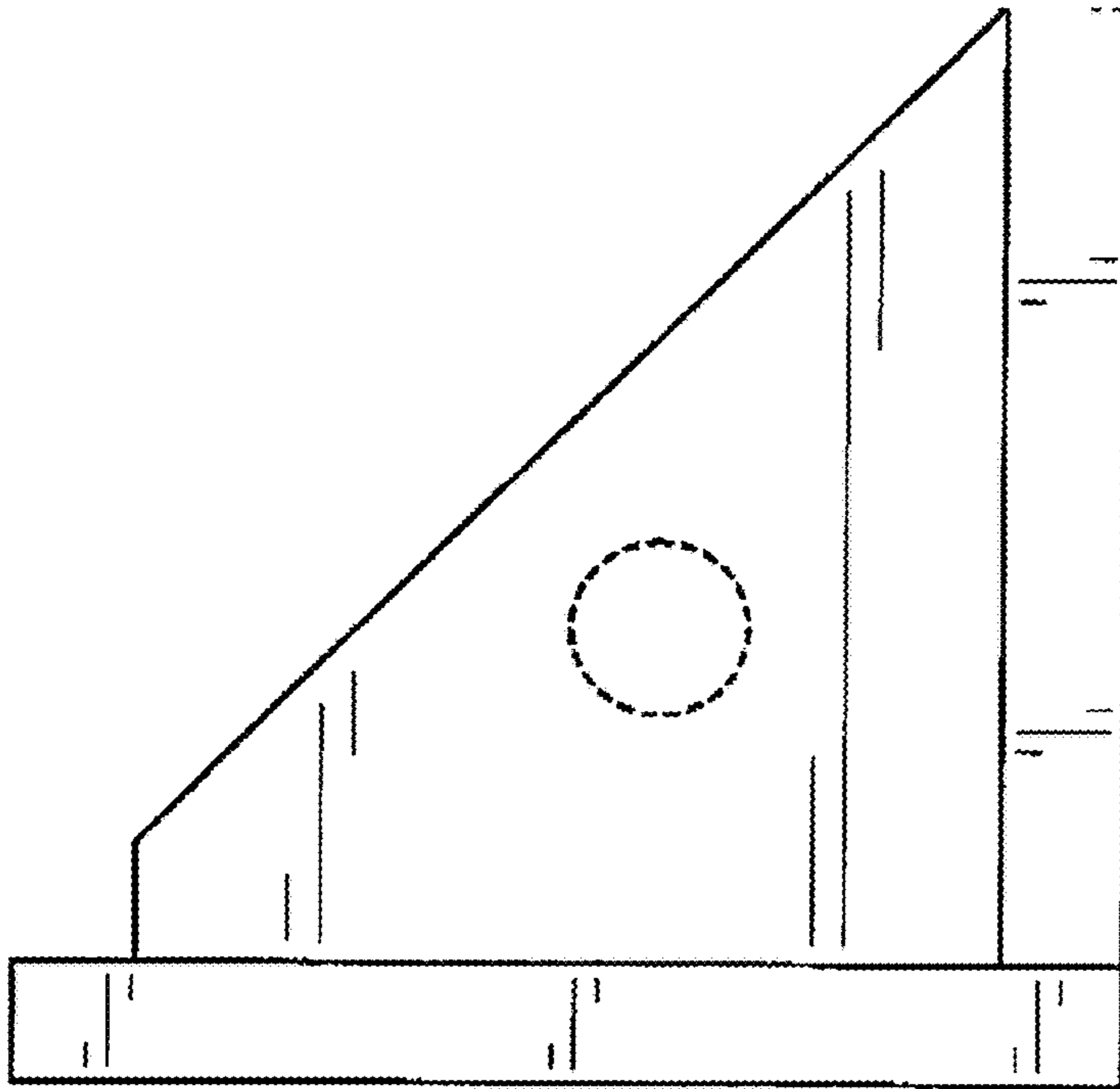


FIG. 7

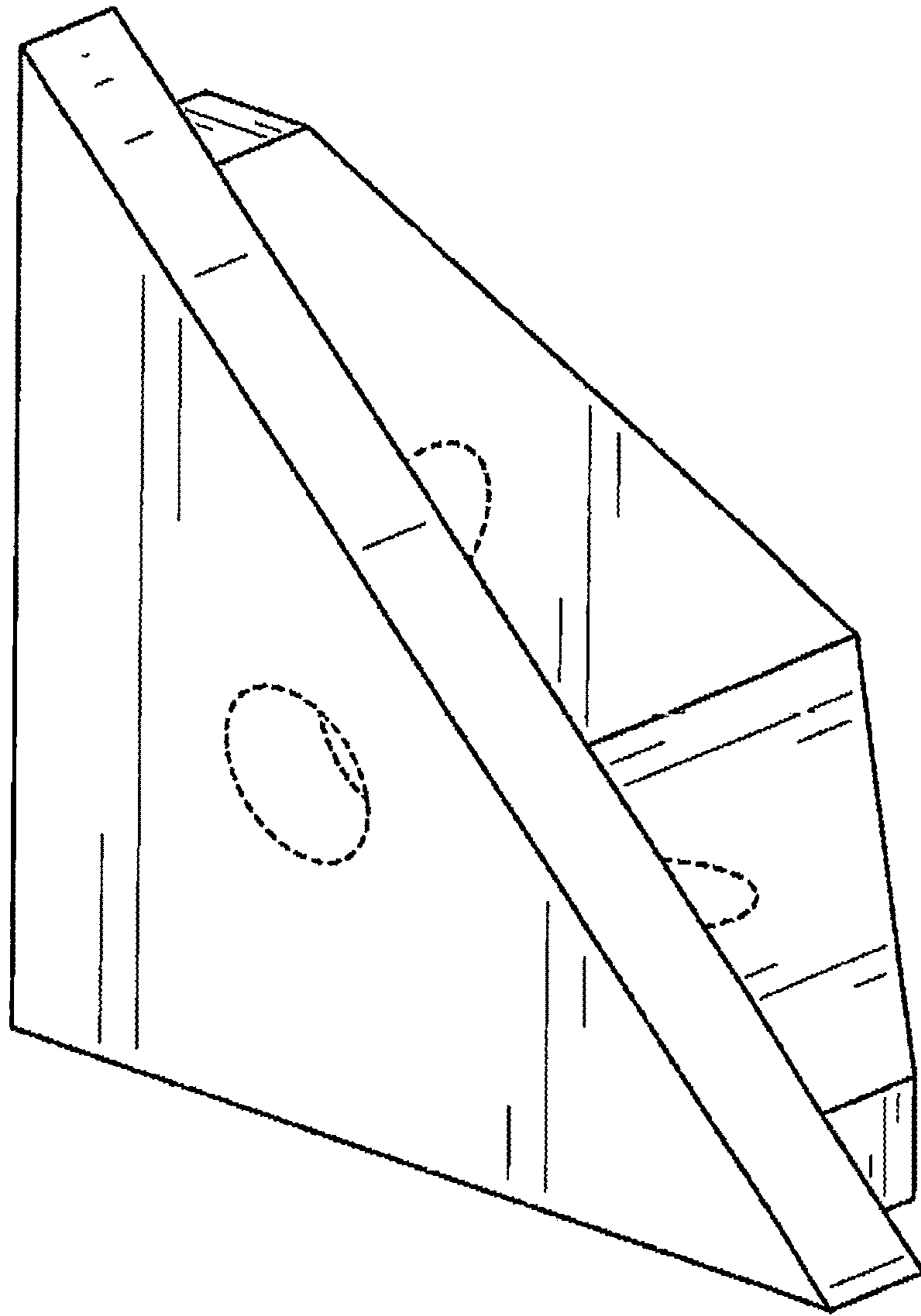


FIG. 8

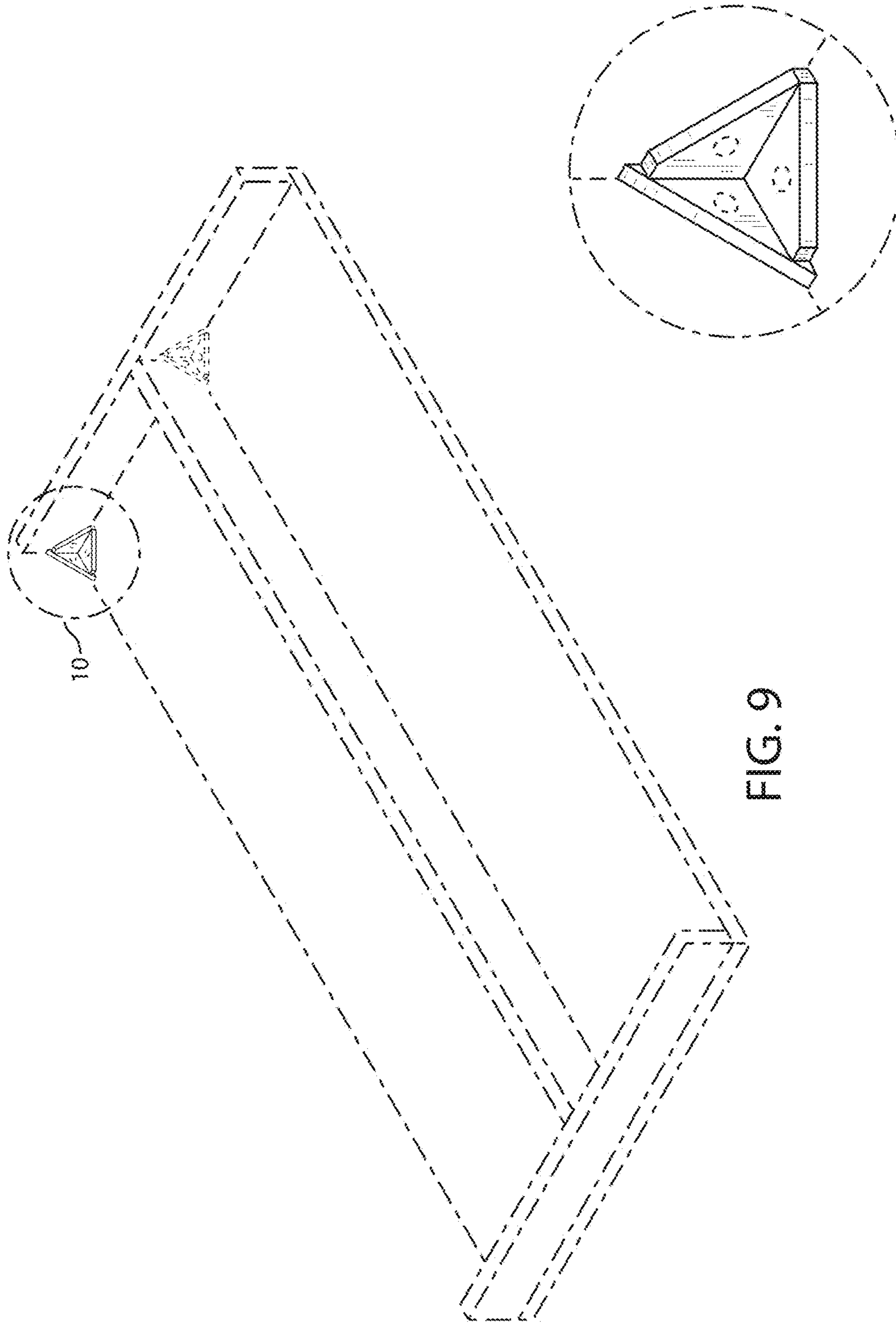


FIG. 9

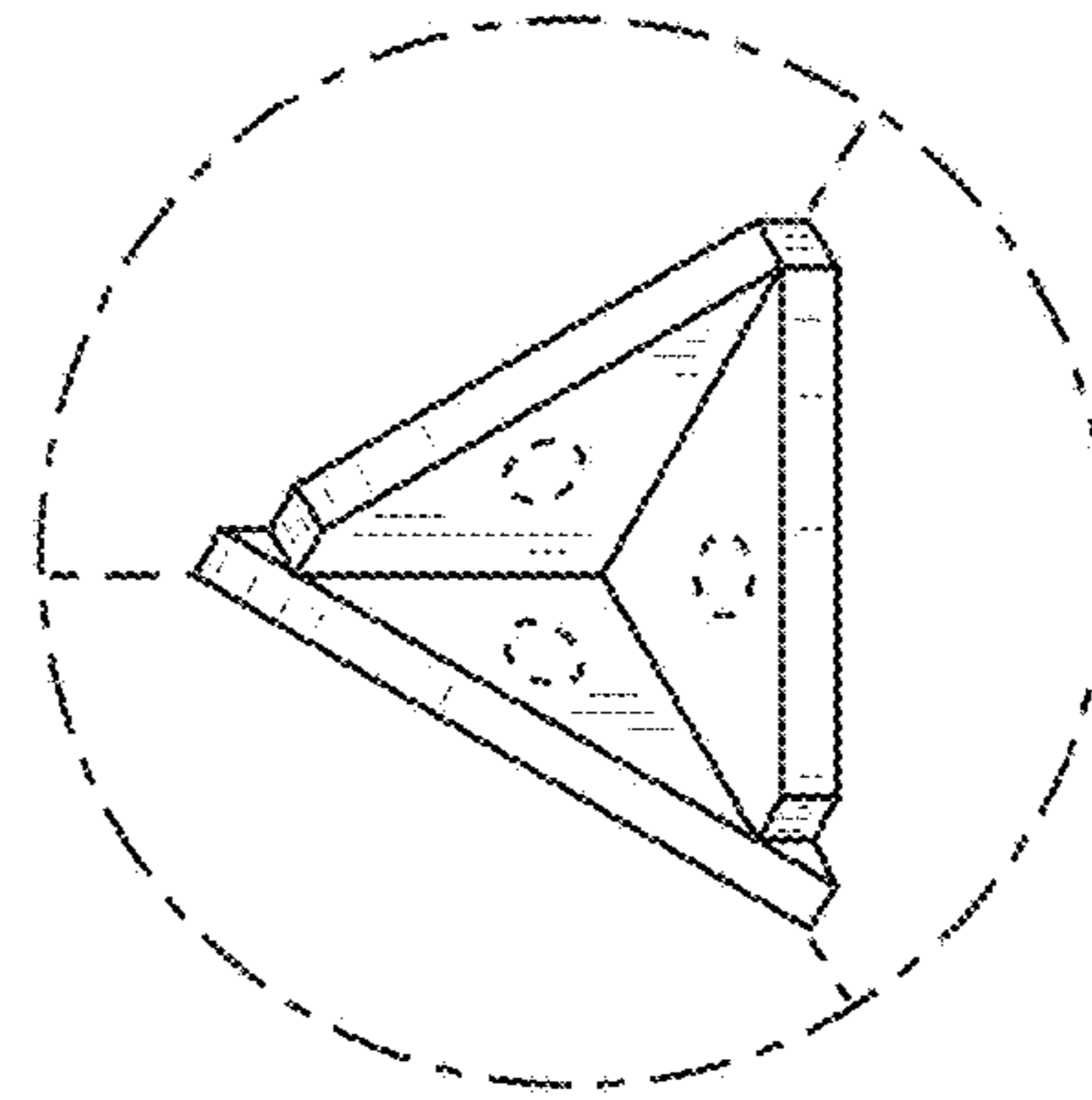


FIG. 10