



US00D857479S

(12) **United States Design Patent**
Ocklenburg

(10) **Patent No.:** **US D857,479 S**

(45) **Date of Patent:** **** Aug. 27, 2019**

(54) **ANCHORING DEVICE**

(71) Applicant: **ABUS August Bremicker Söhne KG,**
Wetter-Volmarstein (DE)

(72) Inventor: **Matthias Ocklenburg,** Darmstadt (DE)

(73) Assignee: **ABUS August Bremicker Söhne KG,**
Wetter-Volmarstein (DE)

(**) Term: **15 Years**

(21) Appl. No.: **29/626,896**

(22) Filed: **Nov. 21, 2017**

(30) **Foreign Application Priority Data**

May 23, 2017 (EP) EM004016152

(51) **LOC (12) Cl.** **08-07**

(52) **U.S. Cl.**
USPC **D8/343**

(58) **Field of Classification Search**

USPC D8/16, 19, 354, 355, 372, 367, 376, 349,
D8/363, 370, 371, 382, 373, 44, 18, 336,
D8/330, 331, 322, 343; D6/323, 324,
D6/327, 328, 512, 524, 526, 531, 534,
D6/538, 553, 554; D22/199; D29/101.1;
D34/33; D32/53, 54; D24/128, 184;
D14/376, 452; D25/68, 134, 62
CPC E05B 15/0205; E05B 73/00
See application file for complete search history.

(56) **References Cited**

U.S. PATENT DOCUMENTS

4,715,754 A * 12/1987 Scully B61D 45/007
296/40
D407,298 S * 3/1999 Hemphill D8/367
6,138,975 A * 10/2000 McDaid B61D 45/001
248/499
6,213,696 B1 * 4/2001 Austin B60N 2/2806
410/101
D492,183 S 6/2004 Becker
D520,343 S * 5/2006 Powell D8/349

D549,556 S * 8/2007 Christie D8/354
D565,935 S * 4/2008 Selby D8/356
D619,954 S * 7/2010 Le D12/223
9,308,855 B1 * 4/2016 Hancock B60P 7/0807
D767,957 S * 10/2016 Hancock D8/382

(Continued)

OTHER PUBLICATIONS

Kryptonite lock anchor found on Jan. 17, 2019 posted by kryptonite
Posted Jan. 7, 2017 at https://www.amazon.com/Kryptonite-16mm-Bicycle-Stronghold-Anchor/product-reviews/B07JVCKRNP/ref=cm_cr_getr_d_paging_btm_13?ie=UTF8&reviewerType=all_reviews&sortBy=recent&pageNumber=13.*

Primary Examiner — Eliza Z Bennett-Hattan

(74) *Attorney, Agent, or Firm* — Harness, Dickey &
Pierce, P.L.C.

(57) **CLAIM**

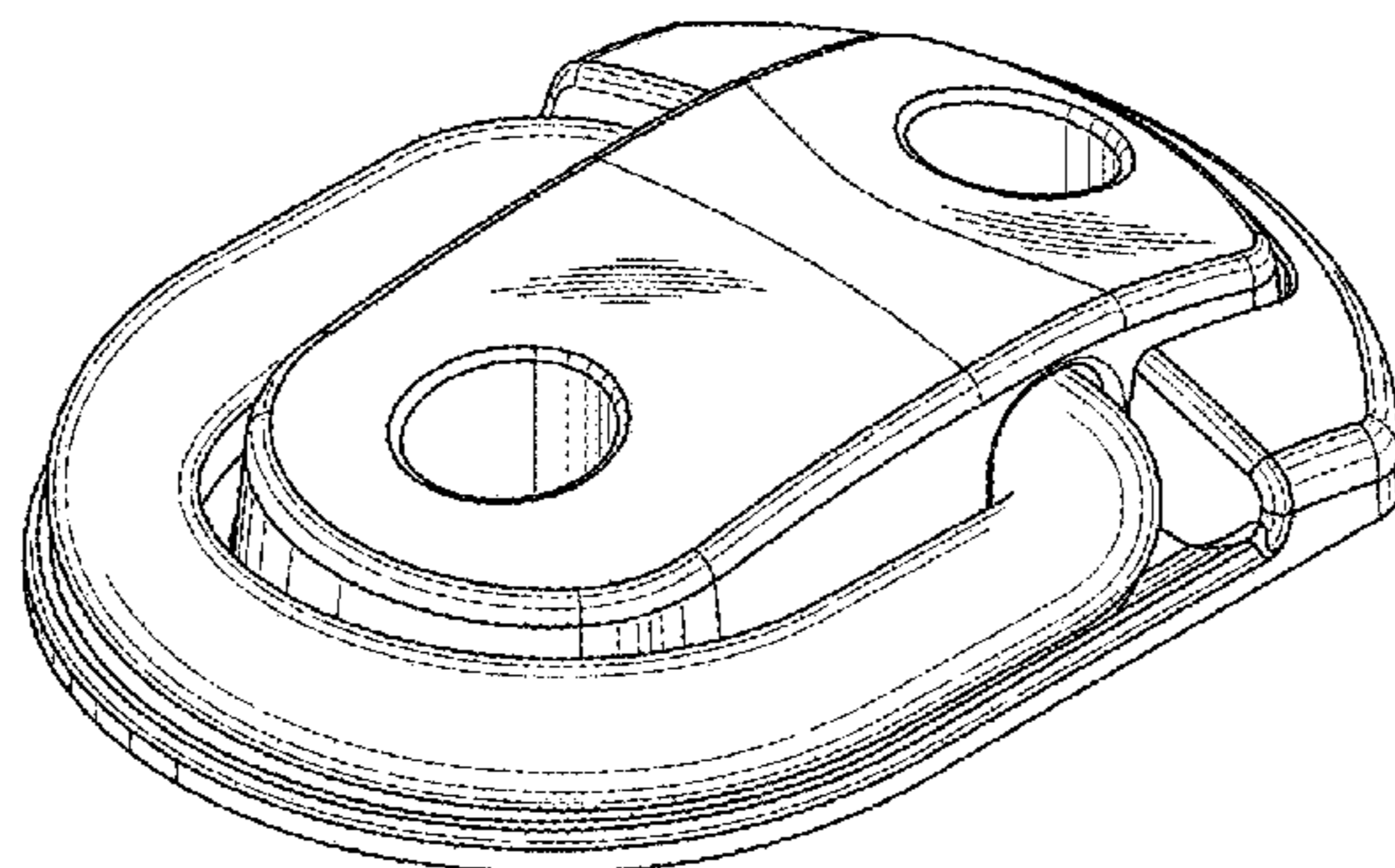
I claim the ornamental design for an anchoring device, as
shown and described.

DESCRIPTION

FIG. 1 is a perspective view of an anchoring device with a
shackle shown in a retracted position;
FIG. 2 is a perspective view thereof with the shackle shown
in an upright position;
FIG. 3 is a front elevational view thereof;
FIG. 4 is a top elevational view thereof with the shackle in
the retracted position;
FIG. 5 is a rear elevational view thereof;
FIG. 6 is a left side elevational view thereof;
FIG. 7 is a right side elevational view thereof;
FIG. 8 is a left side elevational view thereof with the shackle
shown in the upright position; and,
FIG. 9 is a top elevational view thereof with the shackle
shown in the upright position.

The broken lines illustrate unclaimed portions and form no
part of the claimed design. A bottom view is omitted as the
bottom is flat and devoid of surface ornamentation.

1 Claim, 9 Drawing Sheets



(56)

References Cited

U.S. PATENT DOCUMENTS

D804,293 S * 12/2017 Petzl D8/356
2004/0113039 A1 * 6/2004 Becker B62H 3/00
248/499
2004/0265088 A1 * 12/2004 Borrmann B60P 7/0807
410/111

* cited by examiner

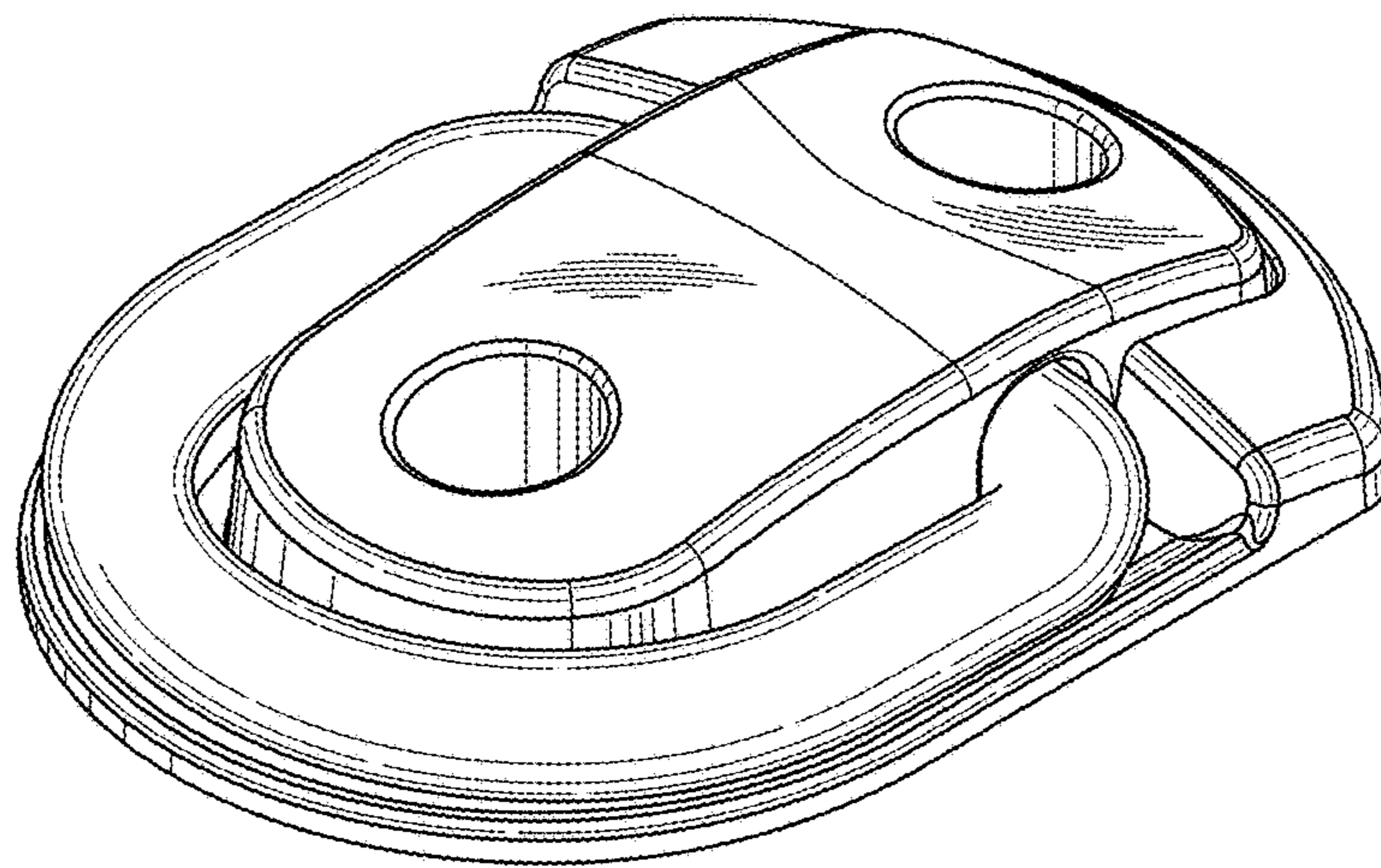


FIG. 1

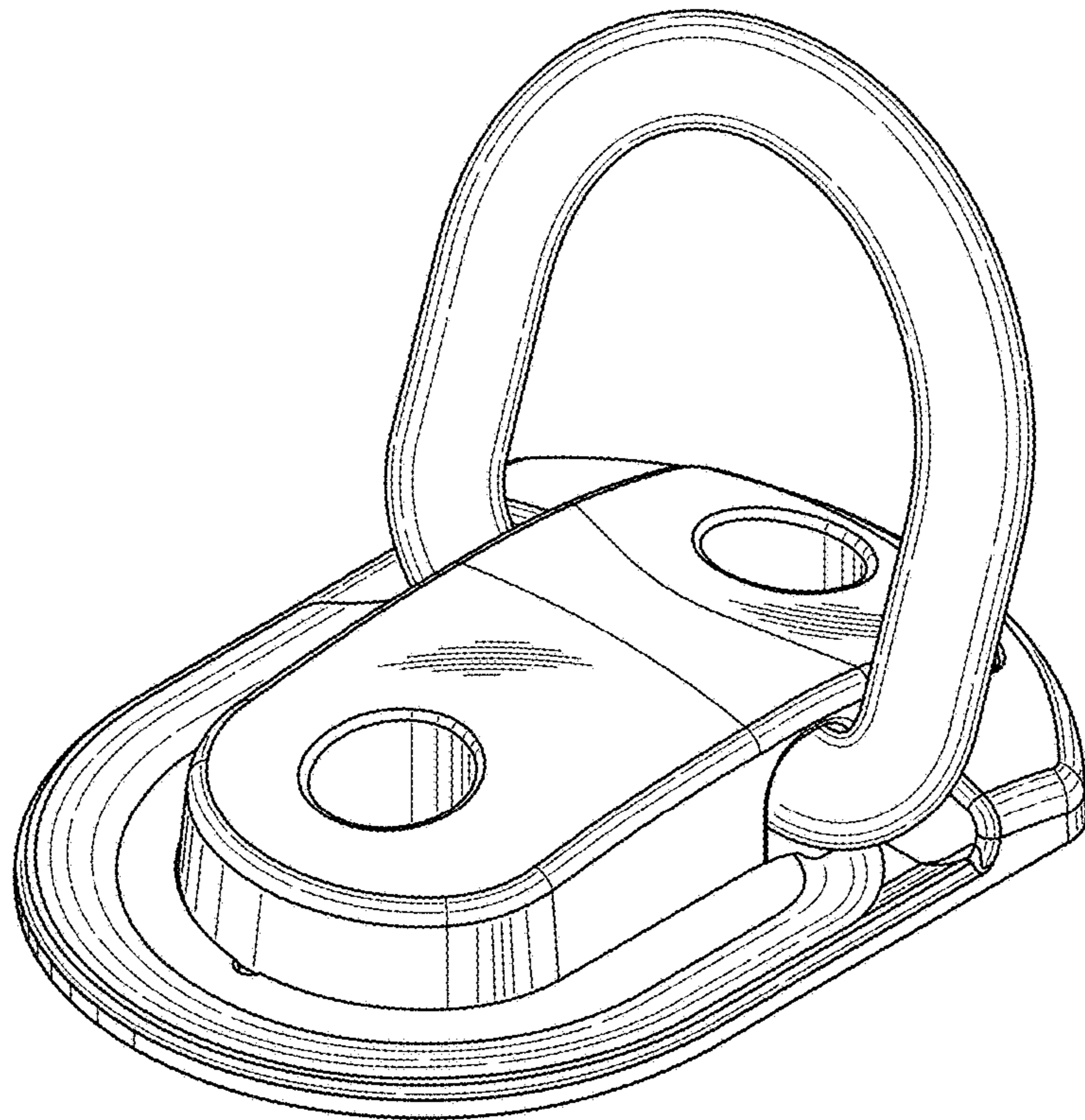


FIG. 2

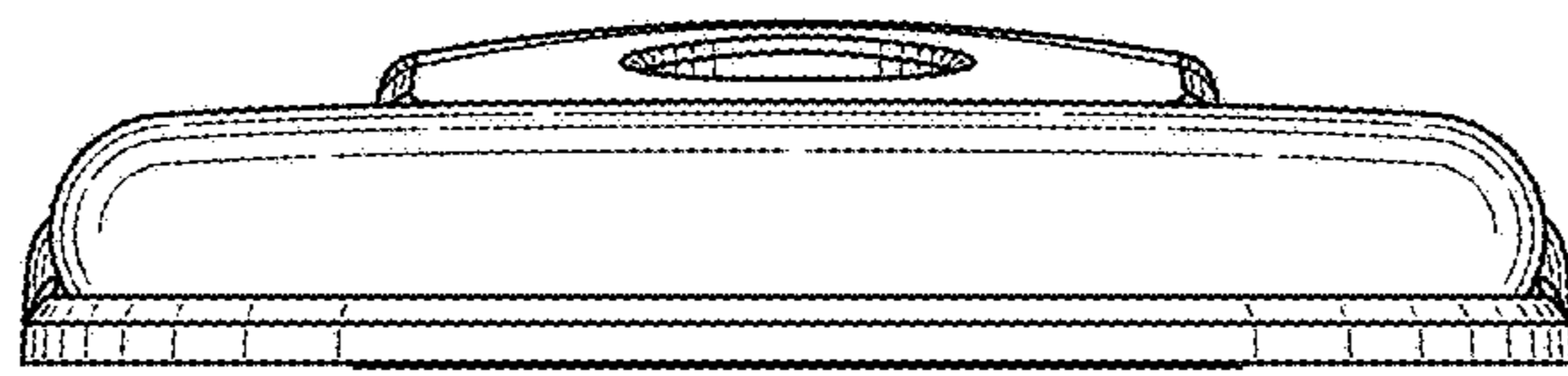


FIG. 3

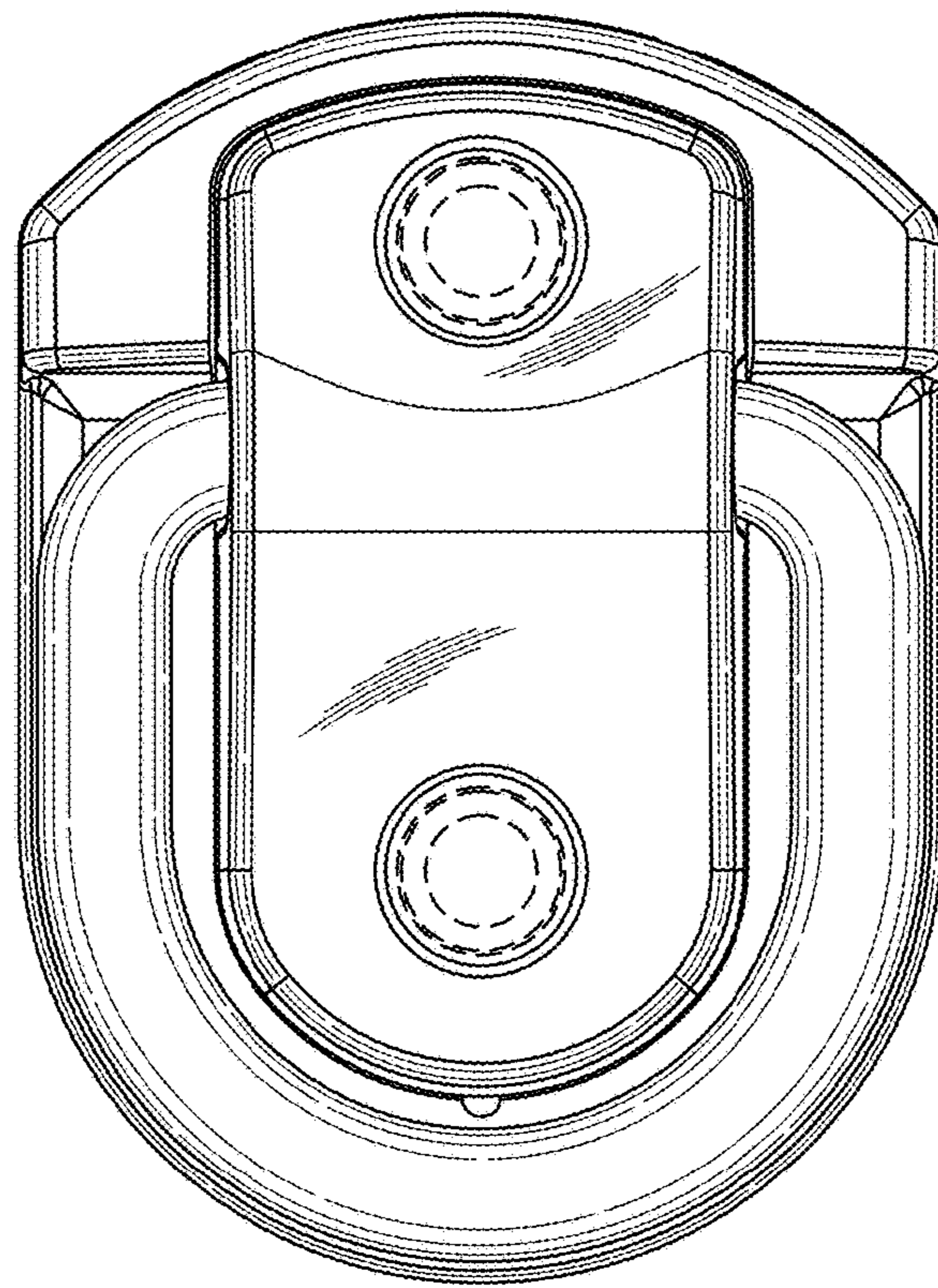


FIG. 4

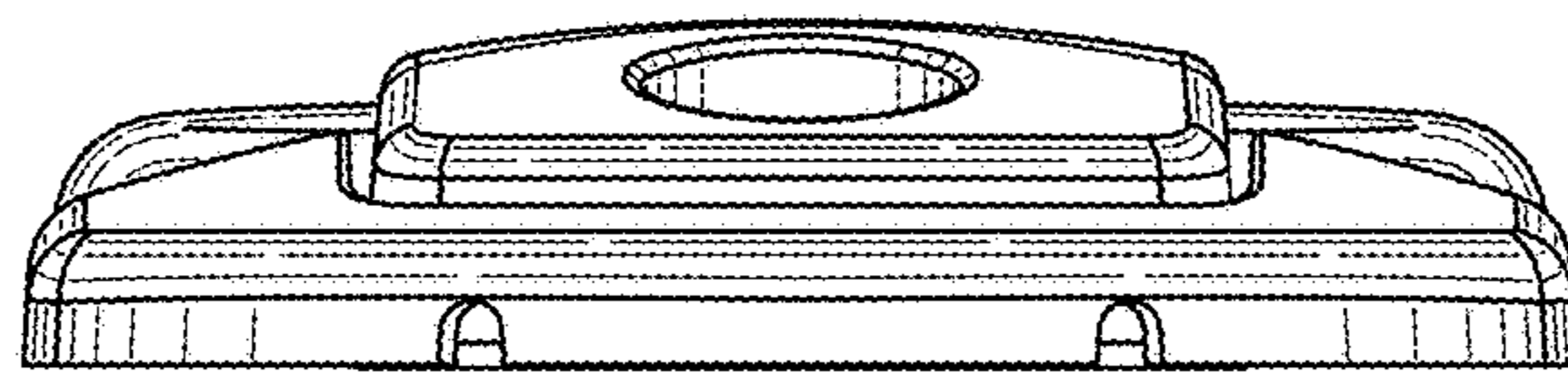


FIG. 5

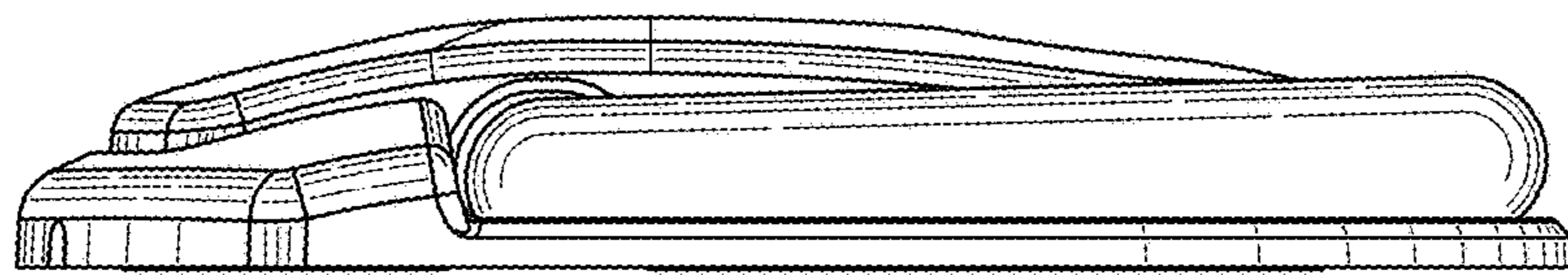


FIG. 6



FIG. 7

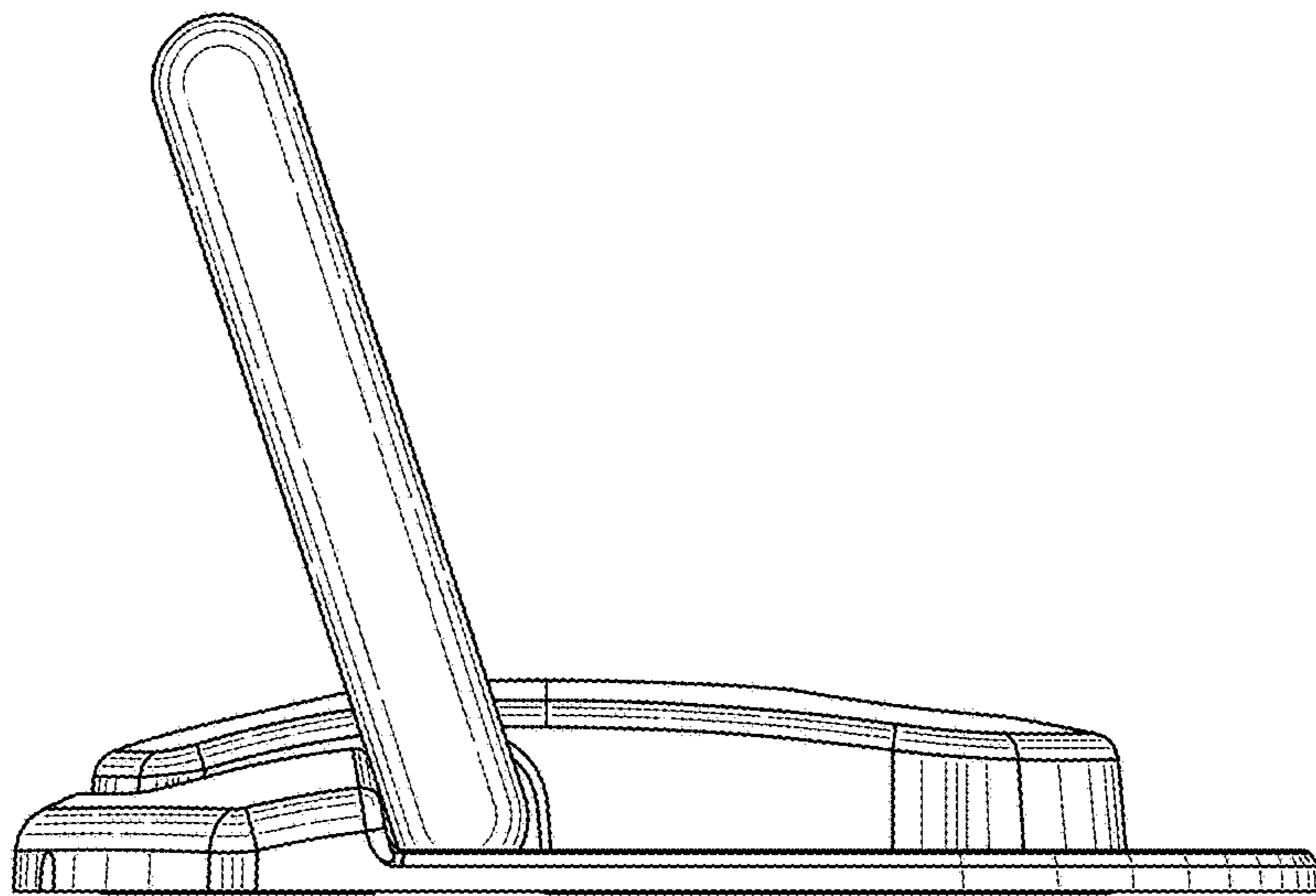


FIG. 8

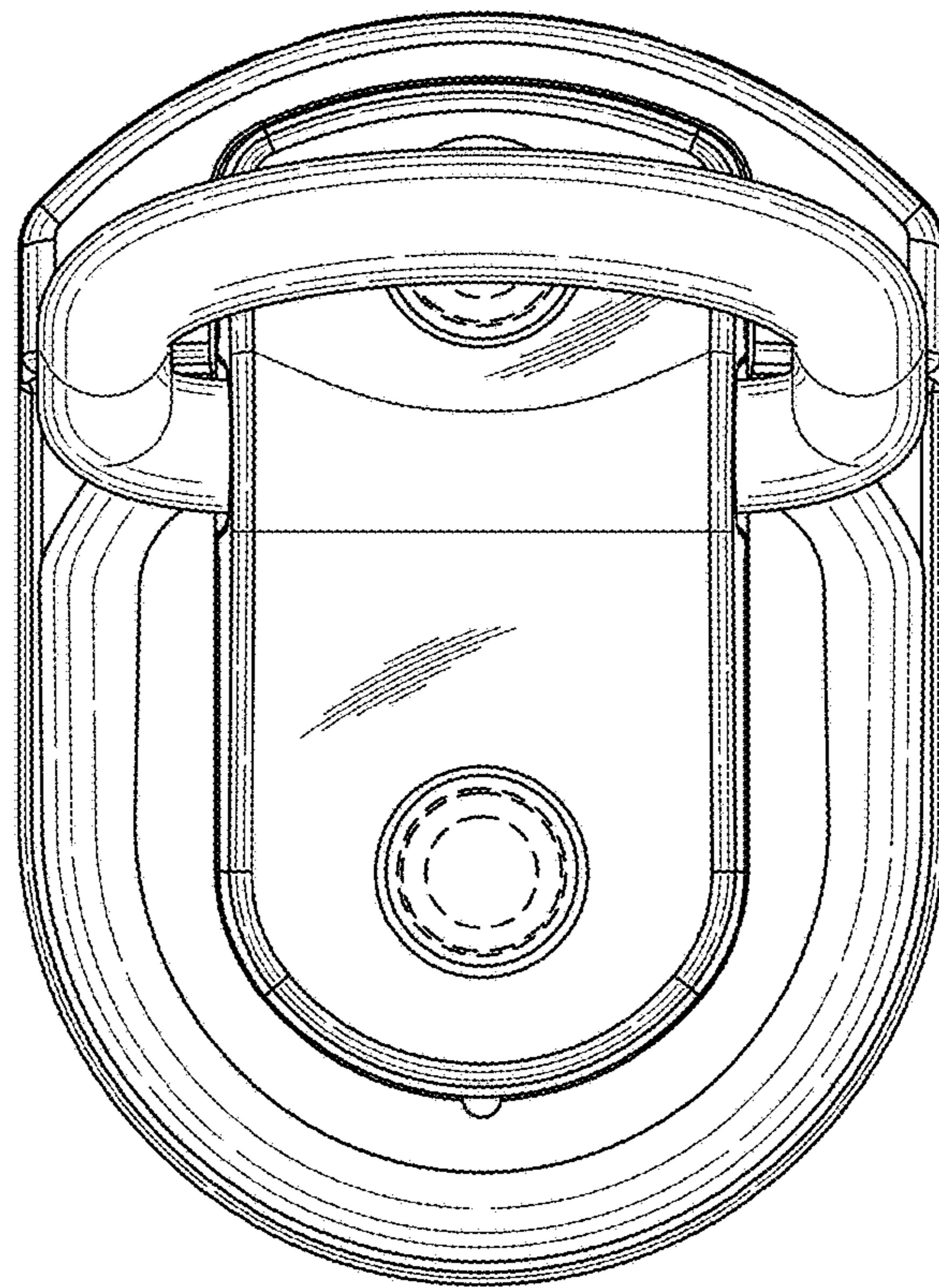


FIG. 9