



US00D857478S

(12) **United States Design Patent** (10) **Patent No.:** **US D857,478 S**
Ojeda (45) **Date of Patent:** **** Aug. 27, 2019**

- (54) **PADLOCK**
- (71) Applicant: **UrbanAlps Czech s.r.o.**, Prague (CZ)
- (72) Inventor: **Alejandro Ojeda**, Baden (CH)
- (73) Assignee: **URBANALPS CZECH S.R.O.** (CZ)
- (**) Term: **15 Years**
- (21) Appl. No.: **29/634,402**
- (22) Filed: **Jan. 22, 2018**
- (51) **LOC (12) Cl.** **08-07**
- (52) **U.S. Cl.**
USPC **D8/334**
- (58) **Field of Classification Search**
USPC D8/301, 302, 330, 331, 333, 334, 335,
D8/336, 337, 338, 339, 400, 499; 70/14,
70/20-28, 31, 32, 39, 41, 52-56, 86, 314,
70/423, DIG. 43, DIG. 56, DIG. 3, DIG. 4
CPC E05B 67/08; E05B 67/00; E05B 67/02;
E05B 9/00; E05B 63/00; E05B 67/38
See application file for complete search history.

D608,180 S *	1/2010	Buseman	D8/333
D694,094 S *	11/2013	Yang	D8/334
D732,371 S *	6/2015	Schneider	D8/334
D807,151 S *	1/2018	Kuu	D8/334
D808,768 S *	1/2018	Mahanavanont	D8/334
D815,509 S *	4/2018	Kang	D8/334
D821,177 S *	6/2018	Keller	D8/331
2004/0118172 A1 *	6/2004	Nall	E05B 37/166 70/298

* cited by examiner

Primary Examiner — Ian Simmons
Assistant Examiner — Yolanda Robinson
(74) *Attorney, Agent, or Firm* — Ostrolenk Faber LLP

(57) **CLAIM**

The ornamental design for a padlock, as shown.

DESCRIPTION

FIG. 1 is a top, right side, perspective view of a padlock showing my new design;
FIG. 2 is a bottom, left side, perspective view thereof;
FIG. 3 is a front view thereof;
FIG. 4 is a rear view thereof;
FIG. 5 is a left side view thereof;
FIG. 6 is a right side view thereof;
FIG. 7 is a top view thereof; and,
FIG. 8 is a bottom view thereof.

(56) **References Cited**

U.S. PATENT DOCUMENTS

D577,279 S *	9/2008	Rohde	D8/334
D595,563 S *	7/2009	Stevens	D8/334

1 Claim, 8 Drawing Sheets

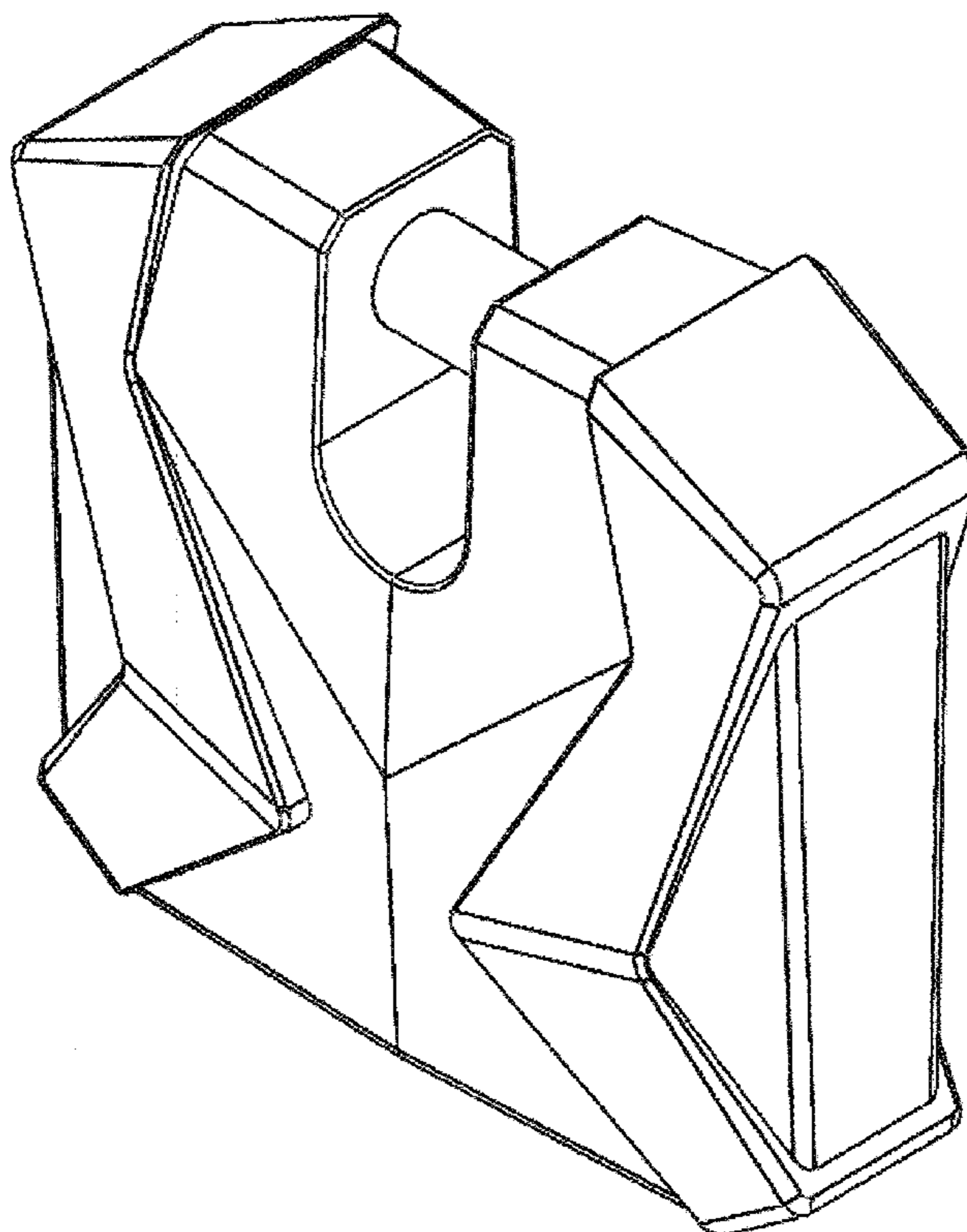


FIG. 1

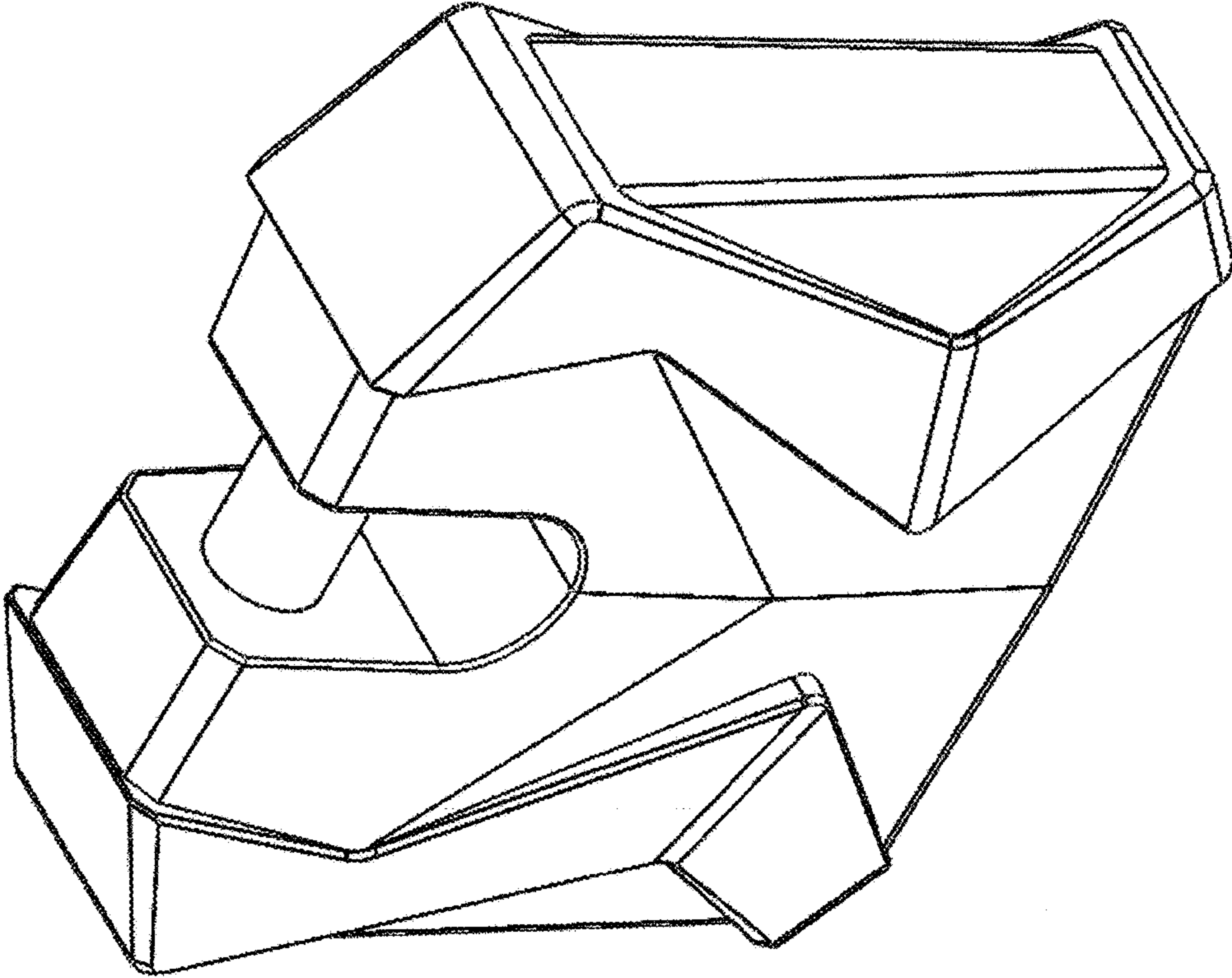


FIG. 2

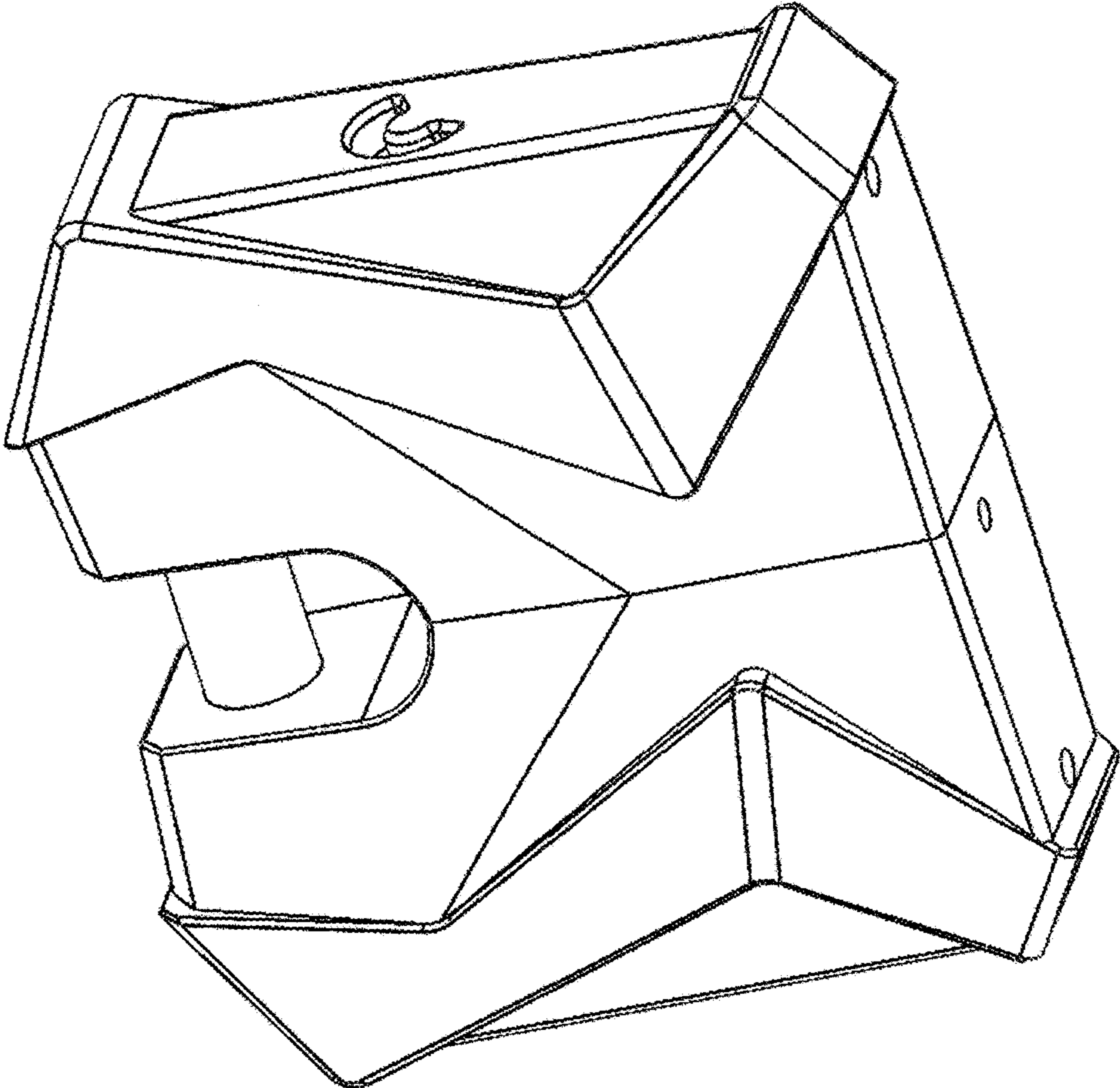


FIG. 3

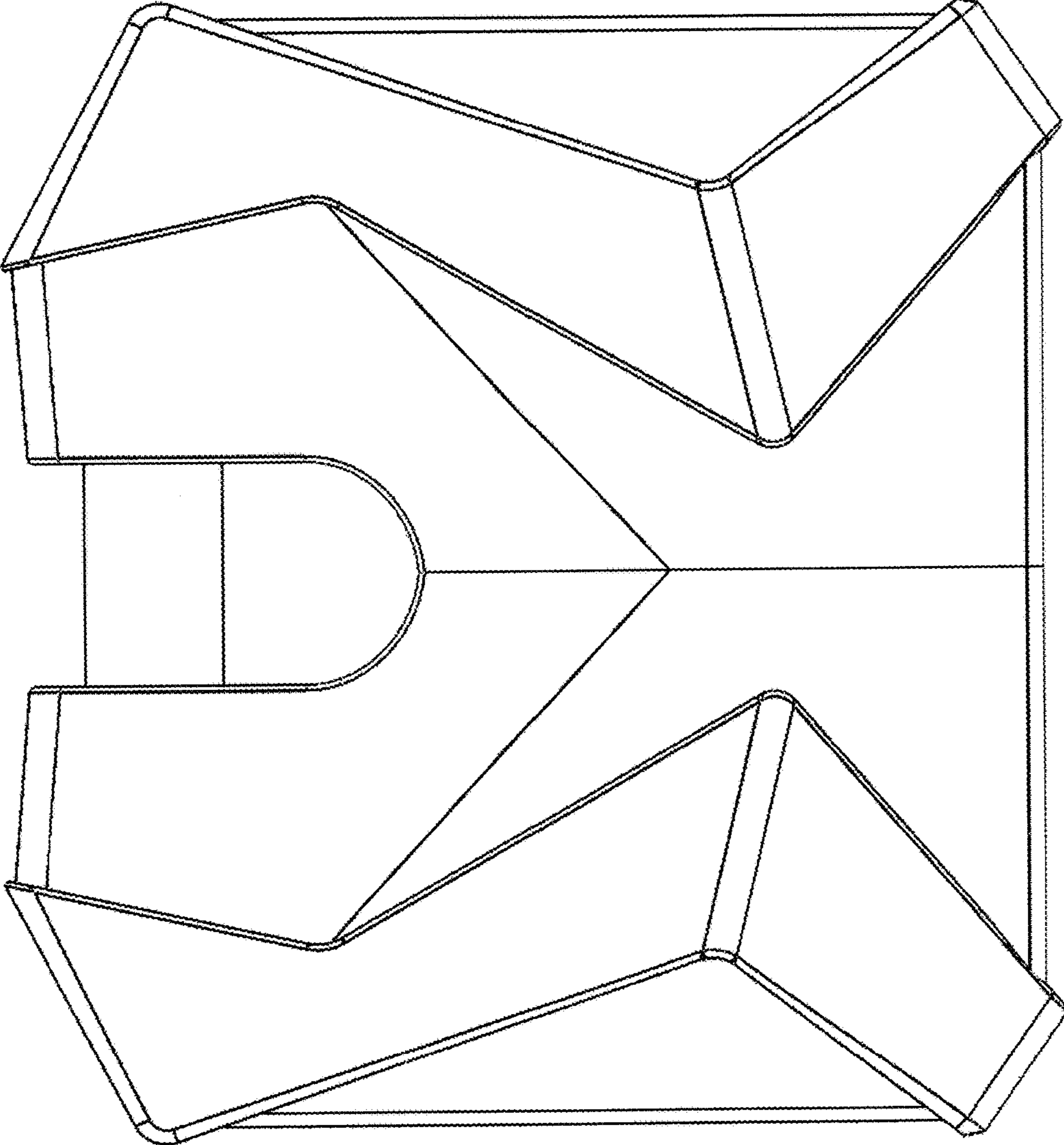


FIG. 4

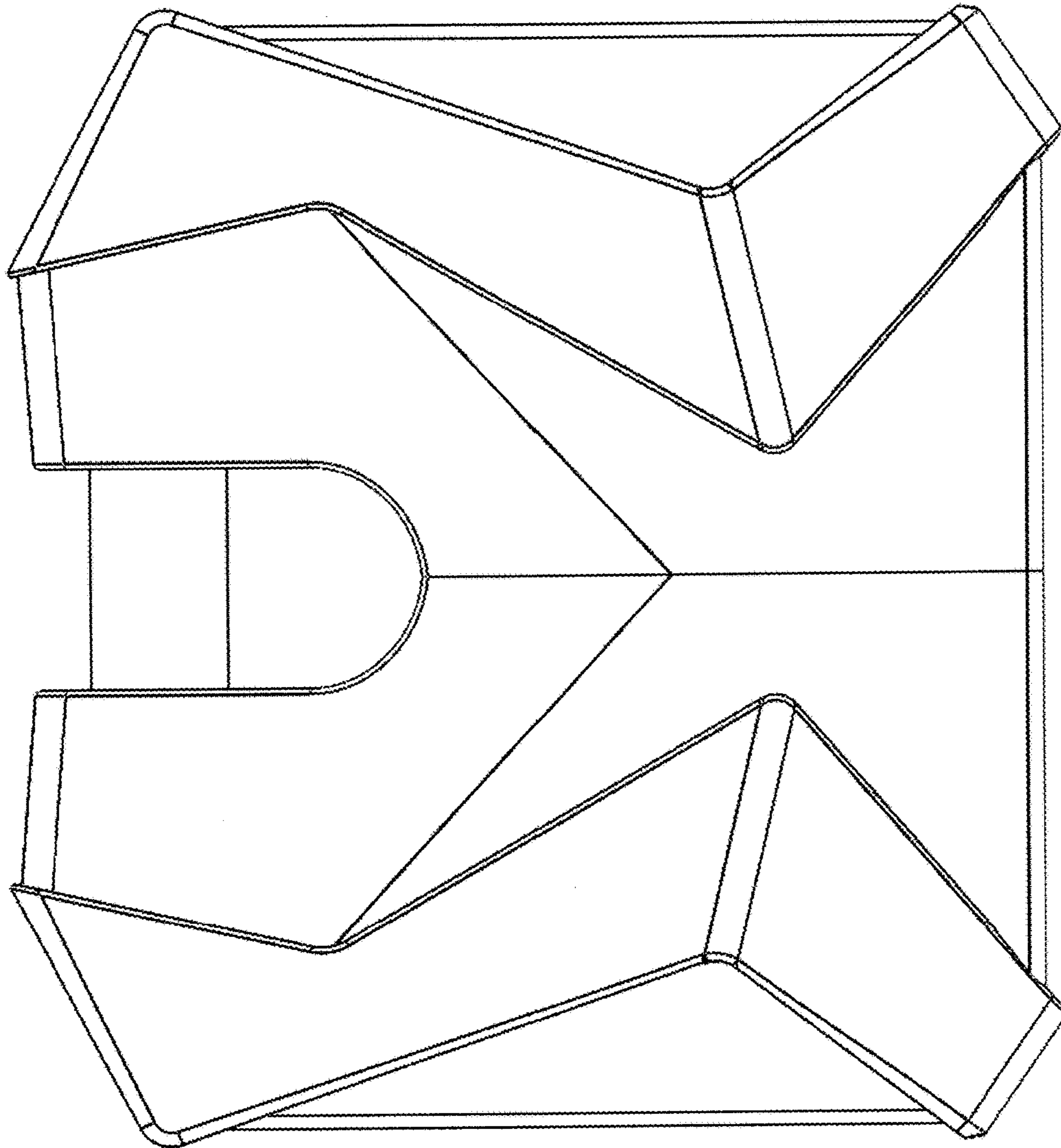


FIG. 5

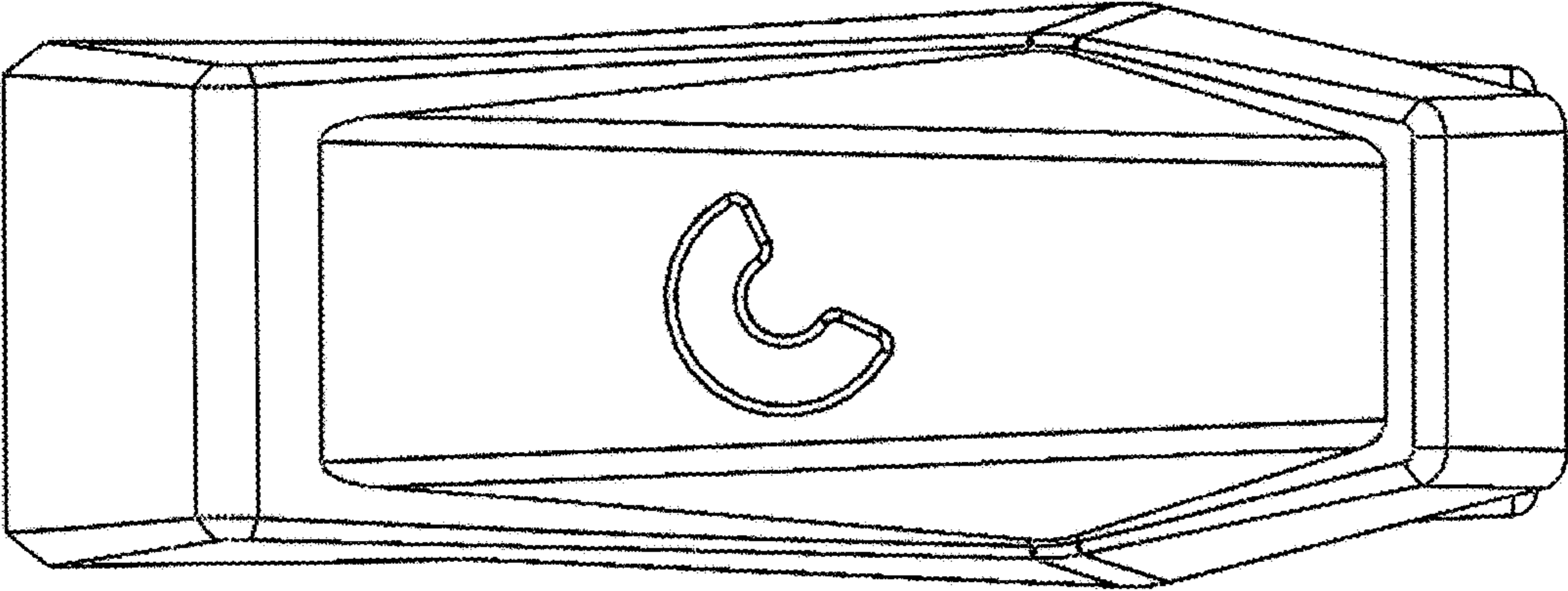


FIG. 6

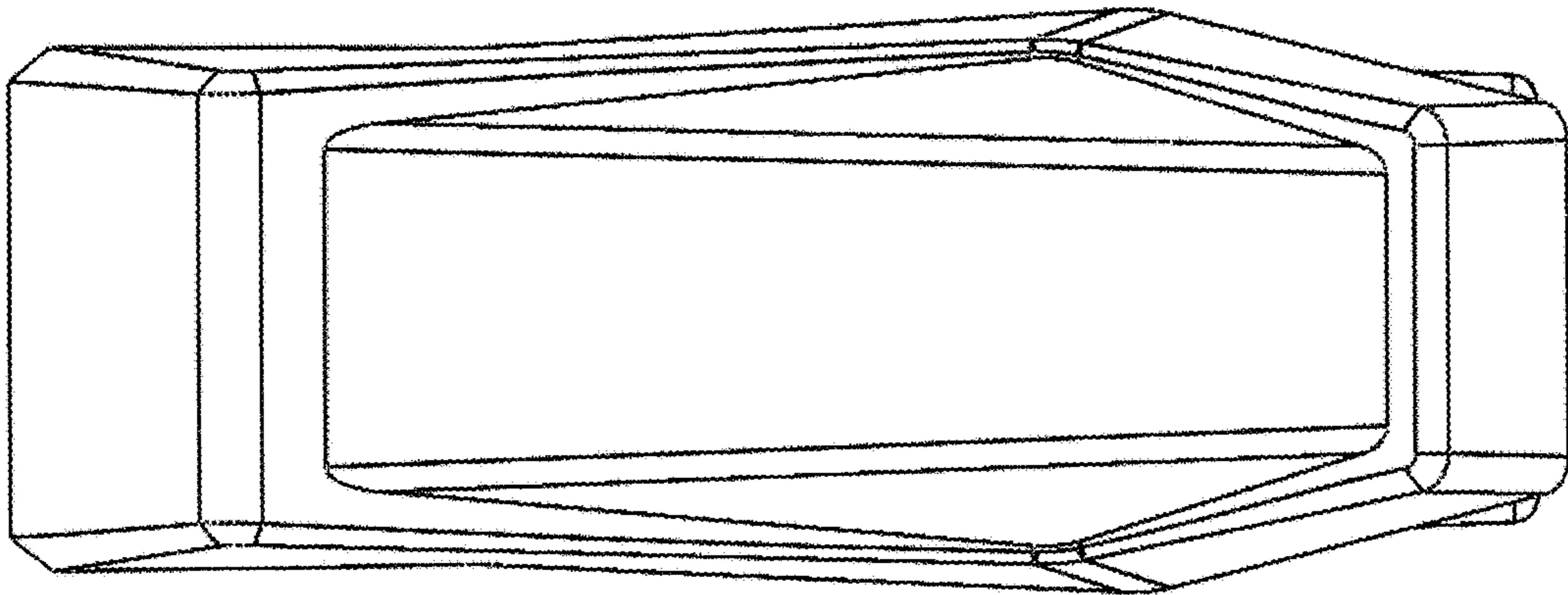


FIG. 7

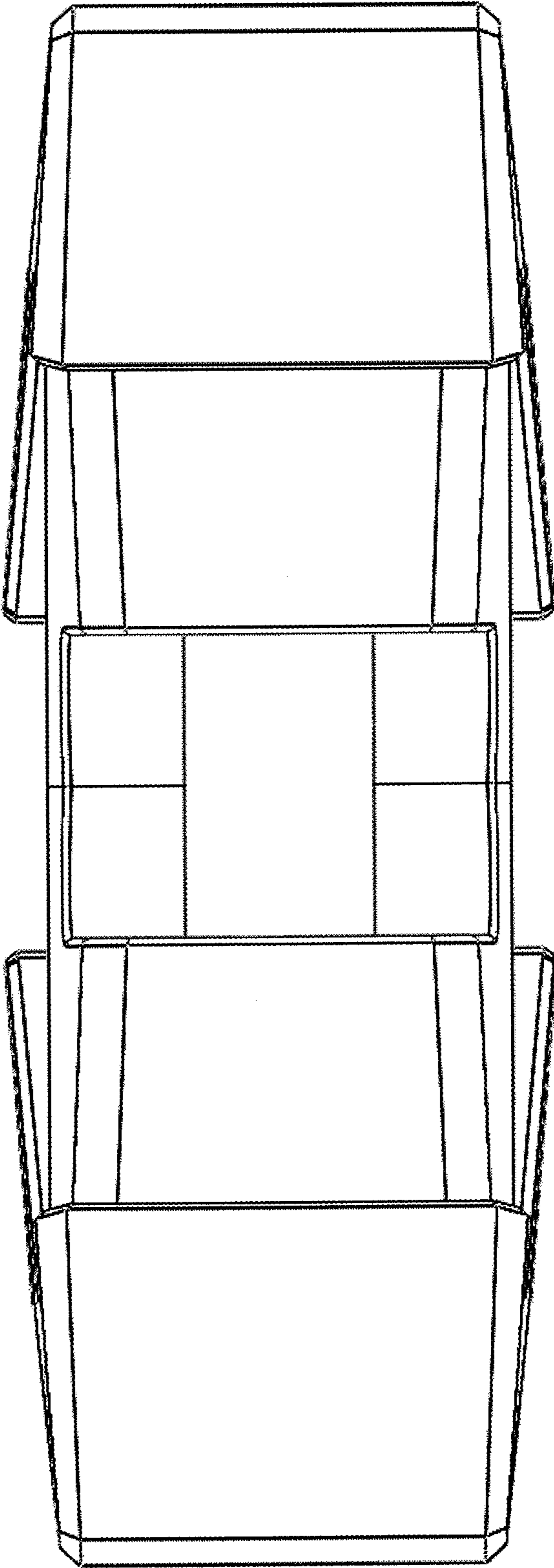


FIG. 8

