



US00D857477S

(12) **United States Design Patent**
Perego

(10) **Patent No.:** **US D857,477 S**

(45) **Date of Patent:** **** Aug. 27, 2019**

(54) **HINGE**

(71) Applicant: **ELESA S.P.A.**, Milan (IT)

(72) Inventor: **Roberto Perego**, Zibido San Giacomo (IT)

(73) Assignee: **ELESA S.p.A.**, Milan (IT)

(**) Term: **15 Years**

(21) Appl. No.: **35/505,162**

(22) Filed: **Feb. 16, 2018**

(80) **Hague Agreement Data**

Int. Filing Date: **Feb. 16, 2018**

Int. Reg. No.: **DM/101541**

Int. Reg. Date: **Feb. 16, 2018**

Int. Reg. Pub. Date: **Jun. 22, 2018**

(51) **LOC (12) Cl.** **08-06**

(52) **U.S. Cl.**
USPC **D8/323**

(58) **Field of Classification Search**
USPC D8/323, 327, 329
(Continued)

(56) **References Cited**

U.S. PATENT DOCUMENTS

D96,265 S * 7/1935 Lustig D8/323

D99,756 S * 5/1936 Atwood D8/323

(Continued)

Primary Examiner — Deanna L Pratt

(74) *Attorney, Agent, or Firm* — Pearne & Gordon LLP

(57) **CLAIM**

The ornamental design for hinge, as shown and described.

DESCRIPTION

1.-5. Hinge

Fig. 1.1 is a front perspective view of the first embodiment of the hinge;

Fig. 1.2 is a bottom view thereof;

Fig. 1.3 is side view thereof;

Fig. 1.4 is a front view thereof;

Fig. 1.5 is another side view thereof;

Fig. 1.6 is a back view thereof;

Fig. 1.7 is a back perspective view thereof;

Fig. 1.8 is a top view thereof;

Fig. 2.1 is a front perspective view of the second embodiment of the hinge;

Fig. 2.2 is a bottom view thereof;

Fig. 2.3 is back view thereof;

Fig. 2.4 is a side view thereof;

Fig. 2.5 is front view thereof;

Fig. 2.6 is a back perspective view thereof;

Fig. 2.7 is a another side view thereof;

Fig. 2.8 is a top view thereof;

Fig. 3.1 is a front perspective view of the third embodiment of the hinge;

Fig. 3.2 is a bottom view thereof;

Fig. 3.3 is side view thereof;

Fig. 3.4 is a front view thereof;

Fig. 3.5 is another side view thereof;

Fig. 3.6 is a back view thereof;

Fig. 3.7 is a top view thereof;

Fig. 3.8 is a back perspective view thereof;

Fig. 4.1 is a bottom view of the fourth embodiment of the hinge;

Fig. 4.2 is side view thereof;

Fig. 4.3 is another side view thereof;

Fig. 4.4 is a front perspective view thereof;

Fig. 4.5 is a front view thereof;

Fig. 4.6 is a back view thereof;

Fig. 4.7 is a back perspective view thereof;

Fig. 4.8 is another back perspective view thereof;

Fig. 5.1 is a front perspective view of the first embodiment of the hinge;

Fig. 5.2 is a bottom view thereof;

Fig. 5.3 is side view thereof;

Fig. 5.4 is a front view thereof;

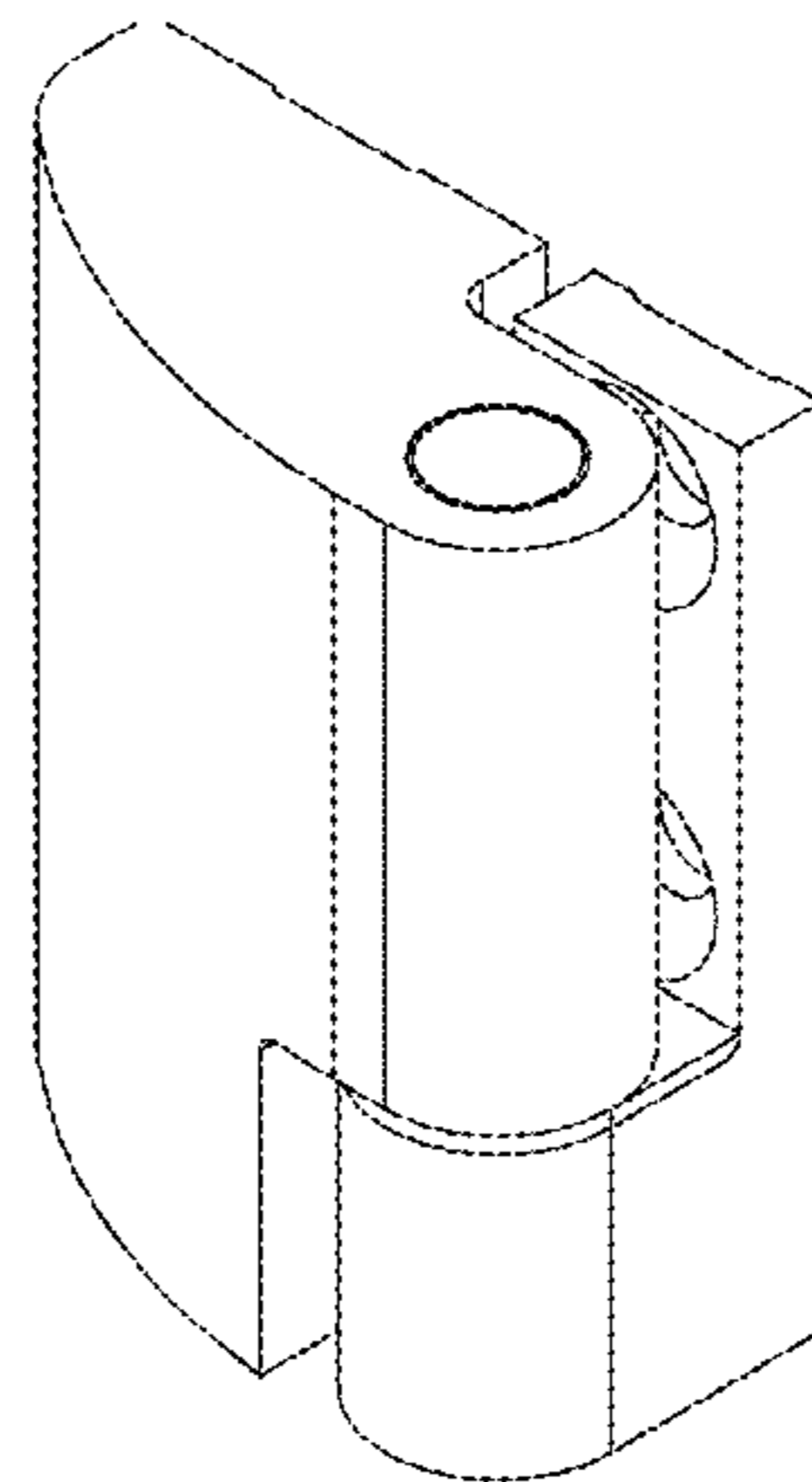
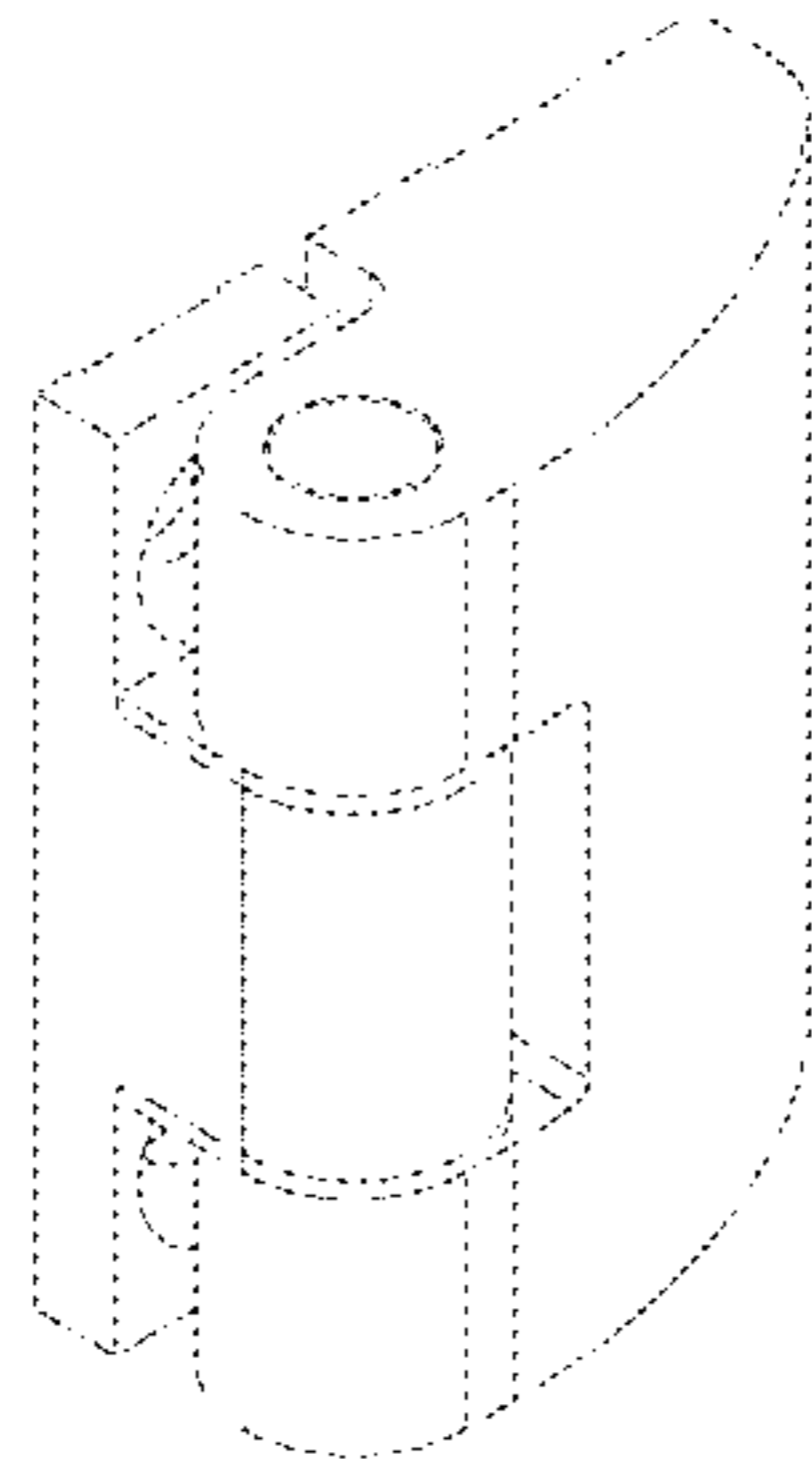
Fig. 5.5 is another side view thereof;

Fig. 5.6 is a back view thereof;

Fig. 5.7 is a back perspective view thereof; and

Fig. 5.8 is a top view thereof.

1 Claim, 40 Drawing Sheets



(58) **Field of Classification Search**

CPC E05Y 2900/132; E05Y 2900/20
See application file for complete search history.

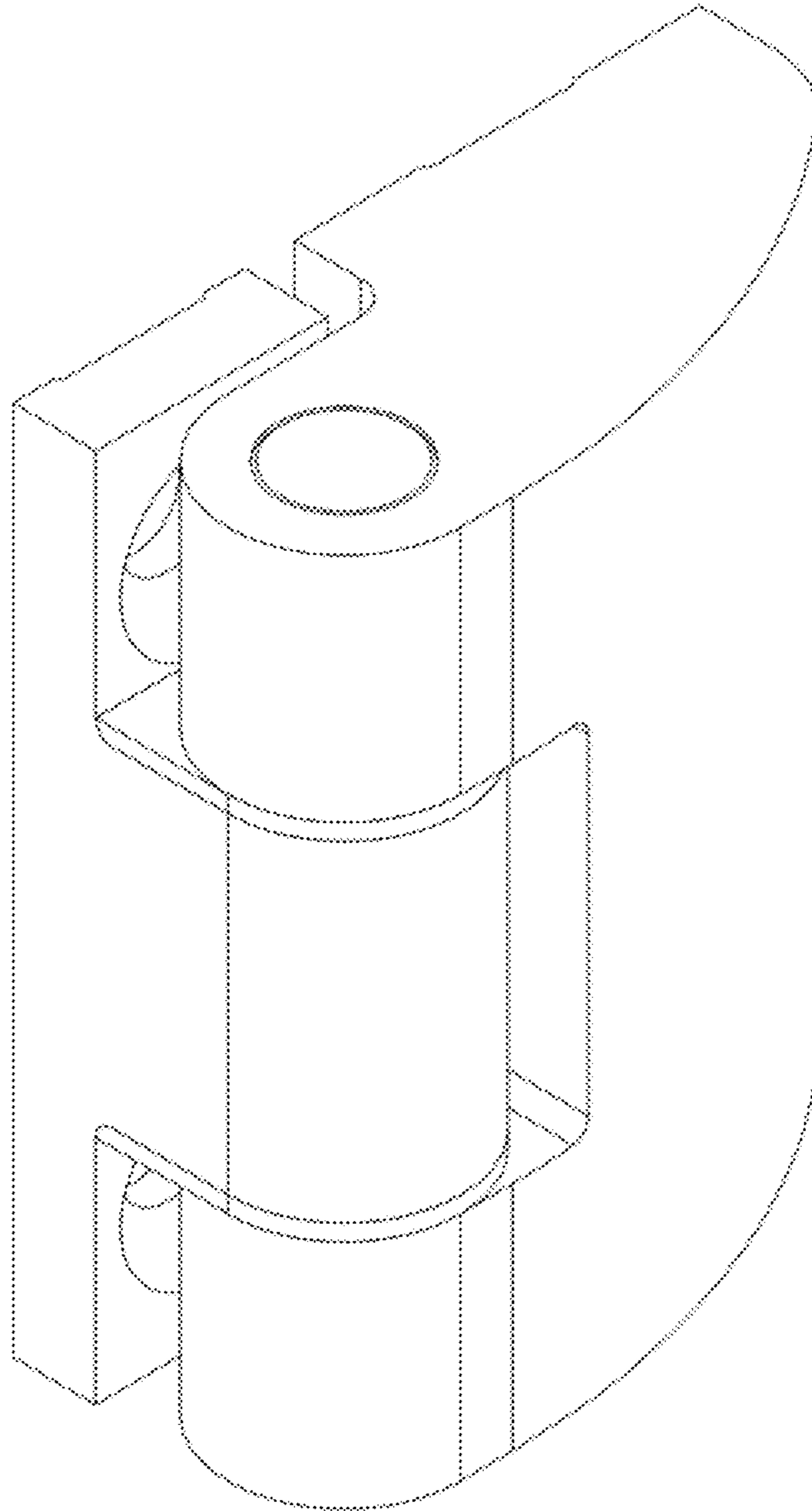
(56) **References Cited**

U.S. PATENT DOCUMENTS

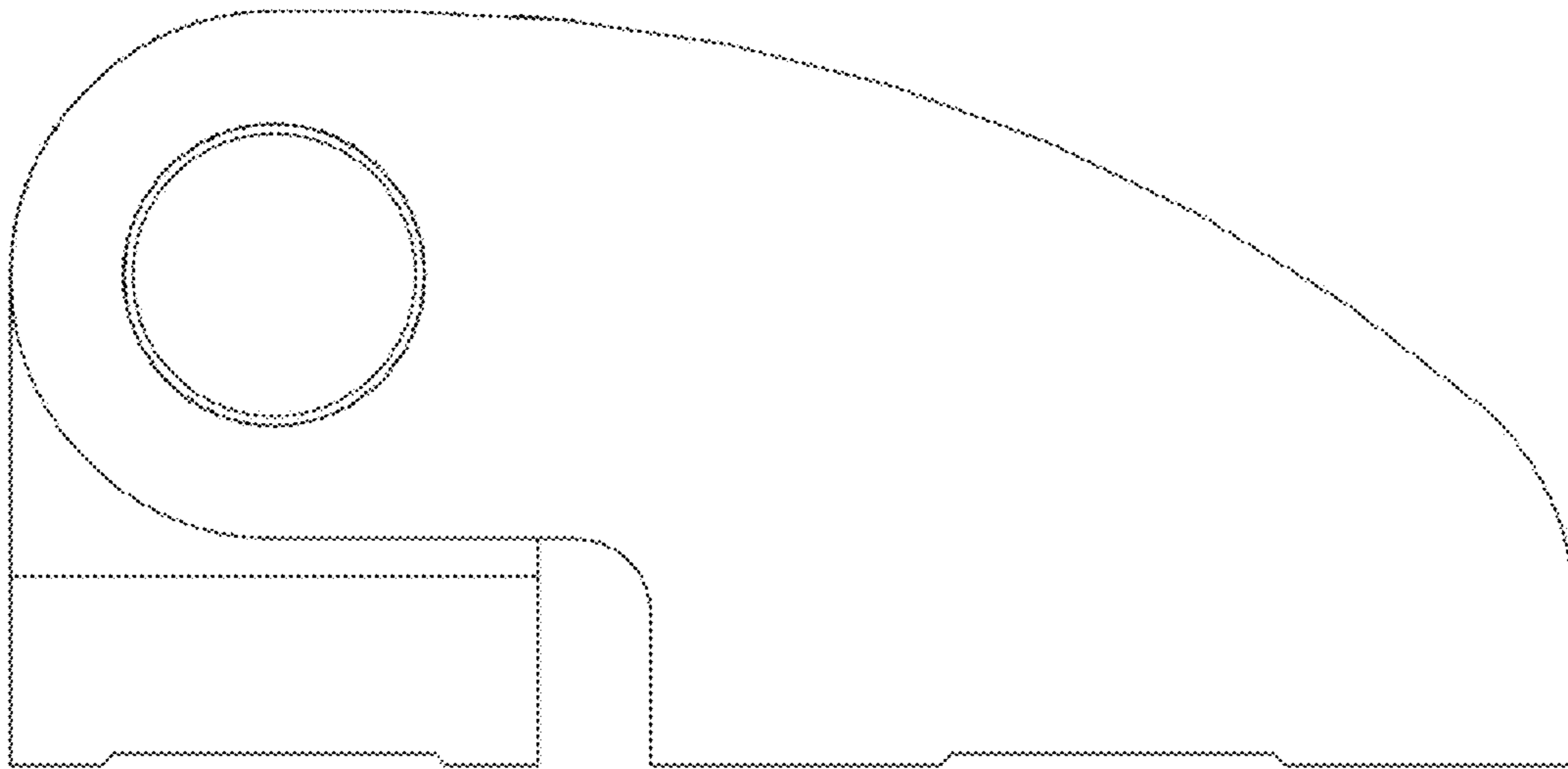
D187,180	S *	2/1960	Dettinger	D8/323
D263,926	S *	4/1982	White	D8/323
D385,475	S *	10/1997	Bolinas	D8/328
D401,134	S *	11/1998	Finkelstein	D8/329
D512,897	S *	12/2005	Franchini	D8/323
D556,011	S *	11/2007	Bladen	D8/323
D565,386	S *	4/2008	Bladen	D8/323
D584,130	S *	1/2009	Bertani	D8/328
D635,433	S *	4/2011	Le	D8/327
D649,007	S *	11/2011	Caffin	D8/323
8,752,247	B2 *	6/2014	Franchini	E05D 11/105 16/334
9,140,045	B1 *	9/2015	Finkelstein	E05D 7/04
D748,450	S *	2/2016	Ganter	D8/323
2018/0155971	A1 *	6/2018	Bertani	E05D 11/1064

* cited by examiner

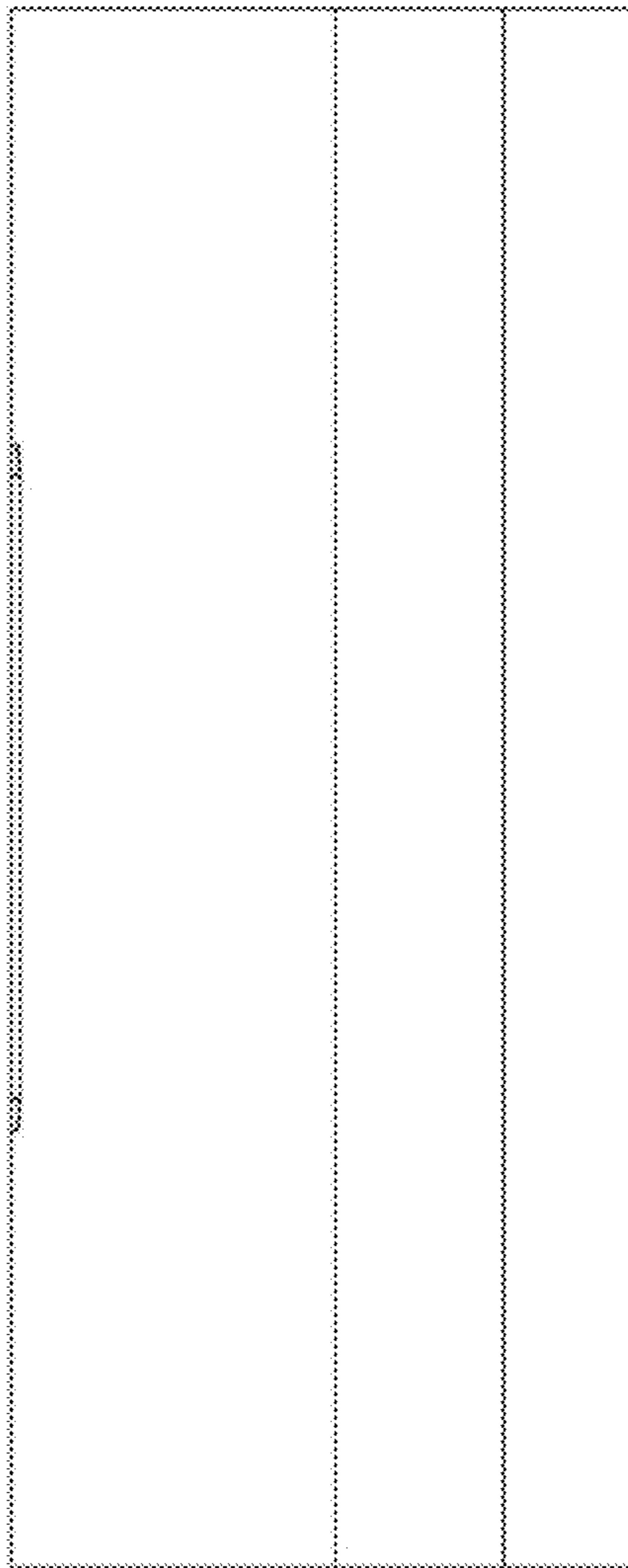
1.1



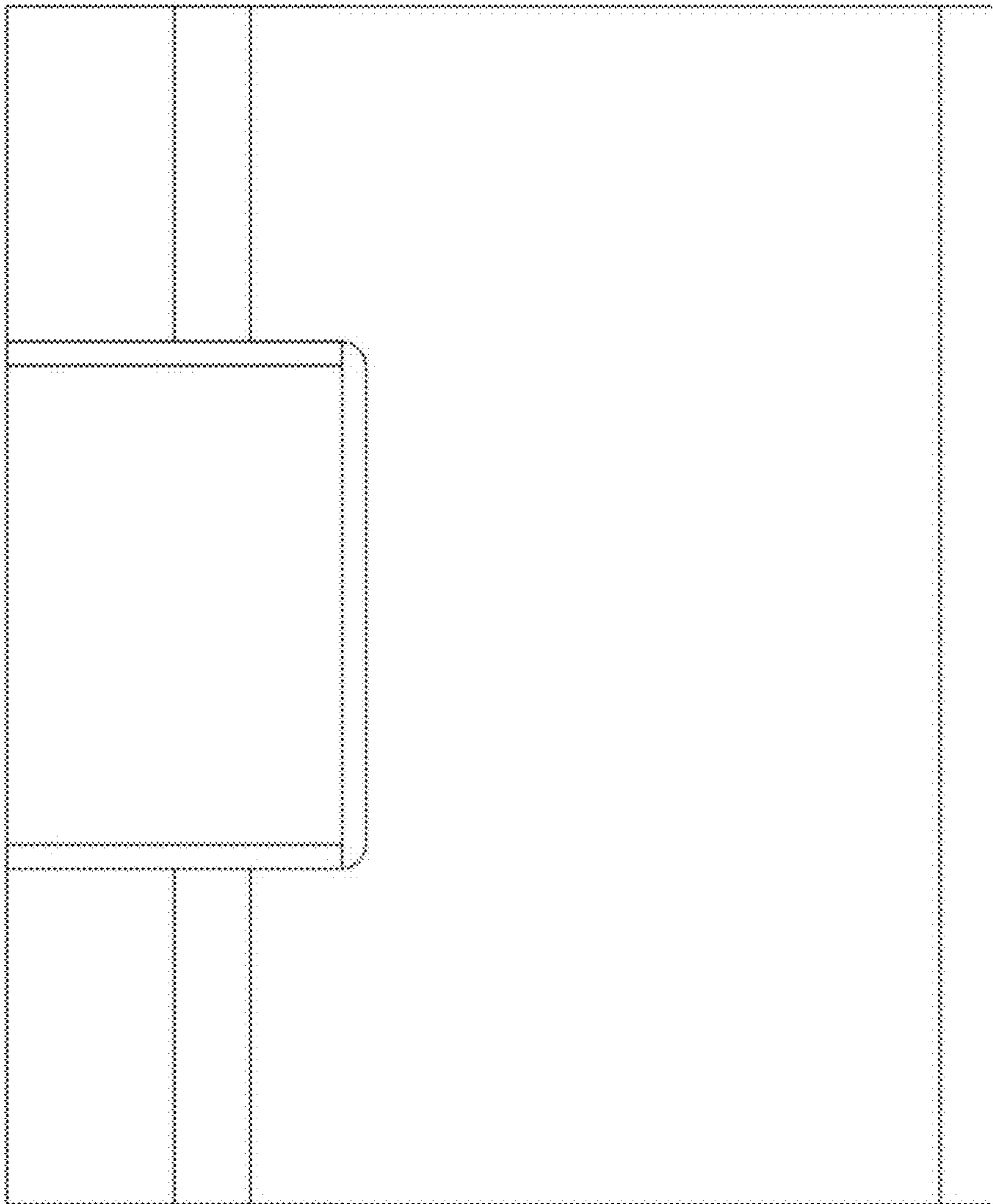
1.2



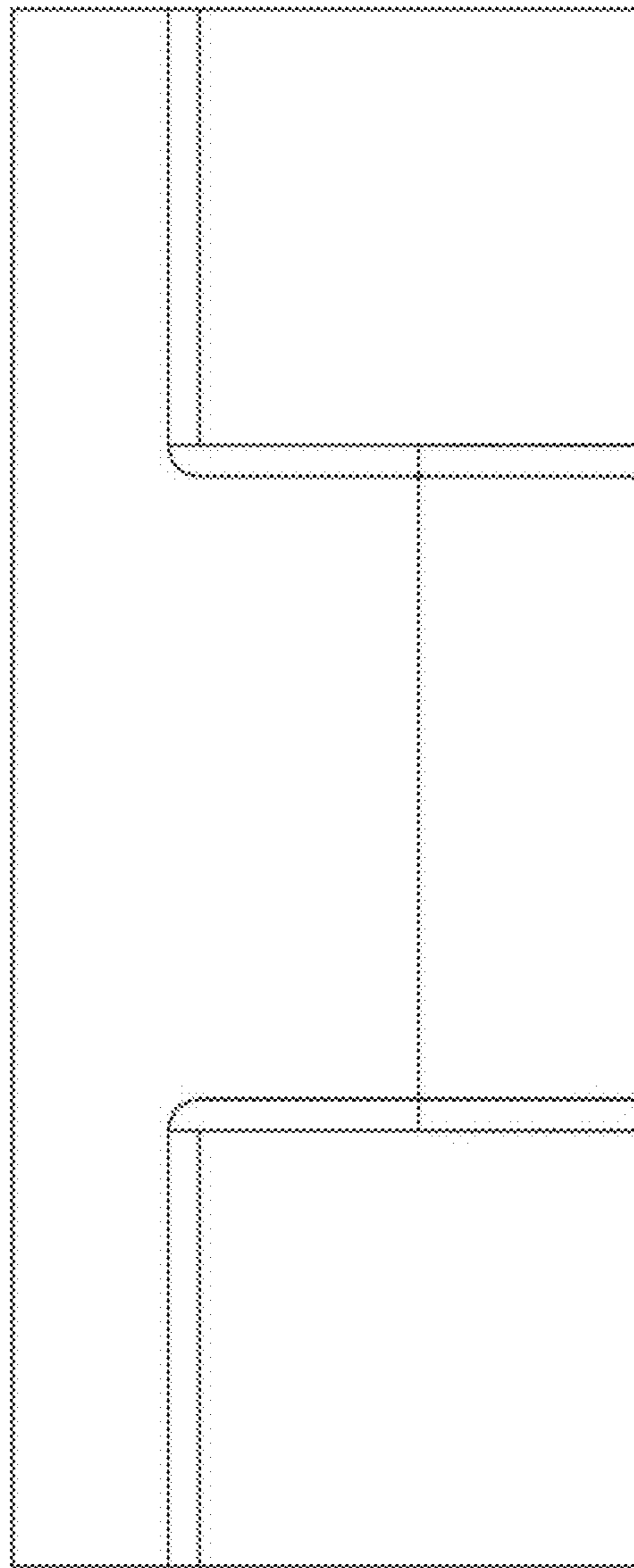
1.3



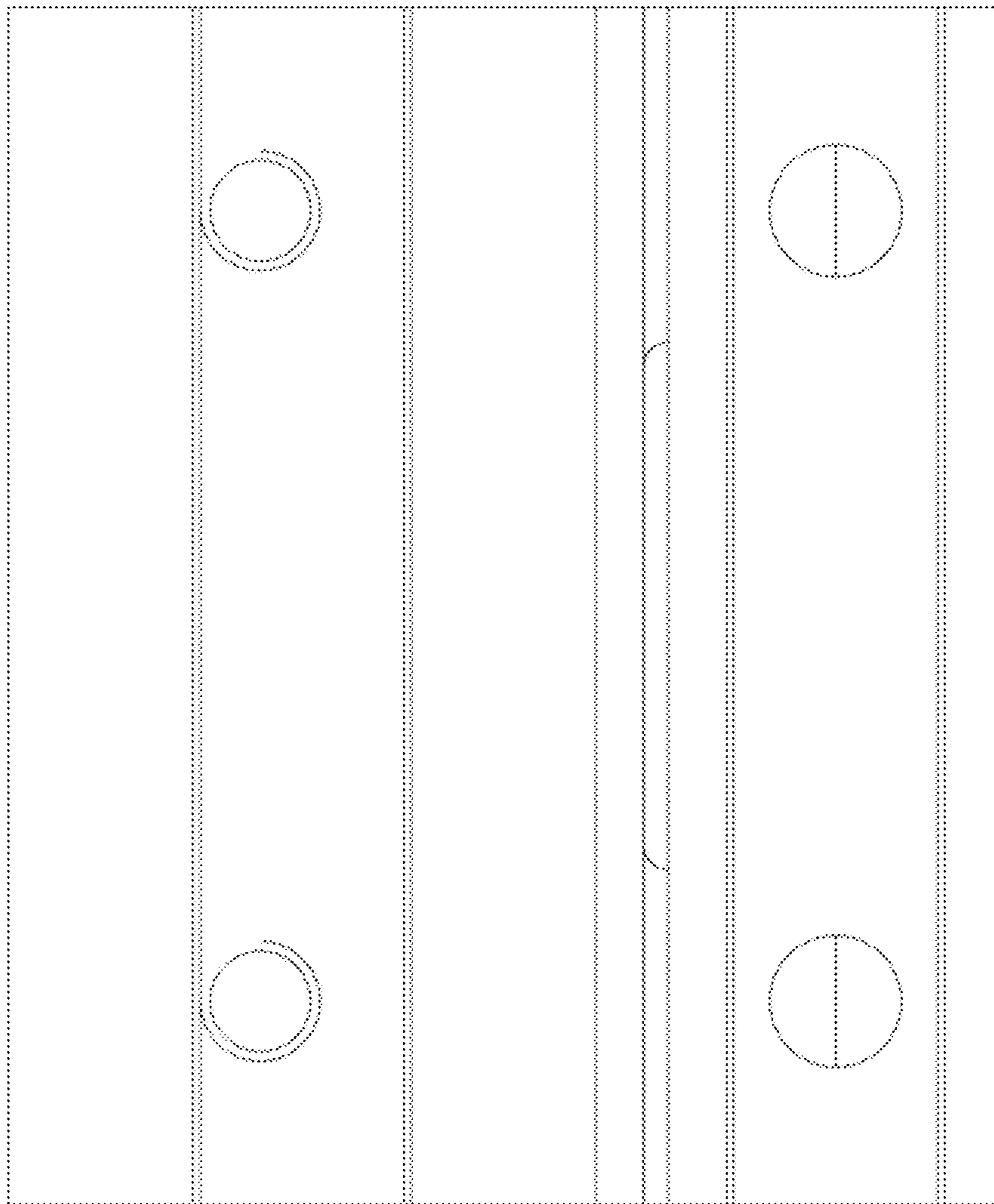
1.4



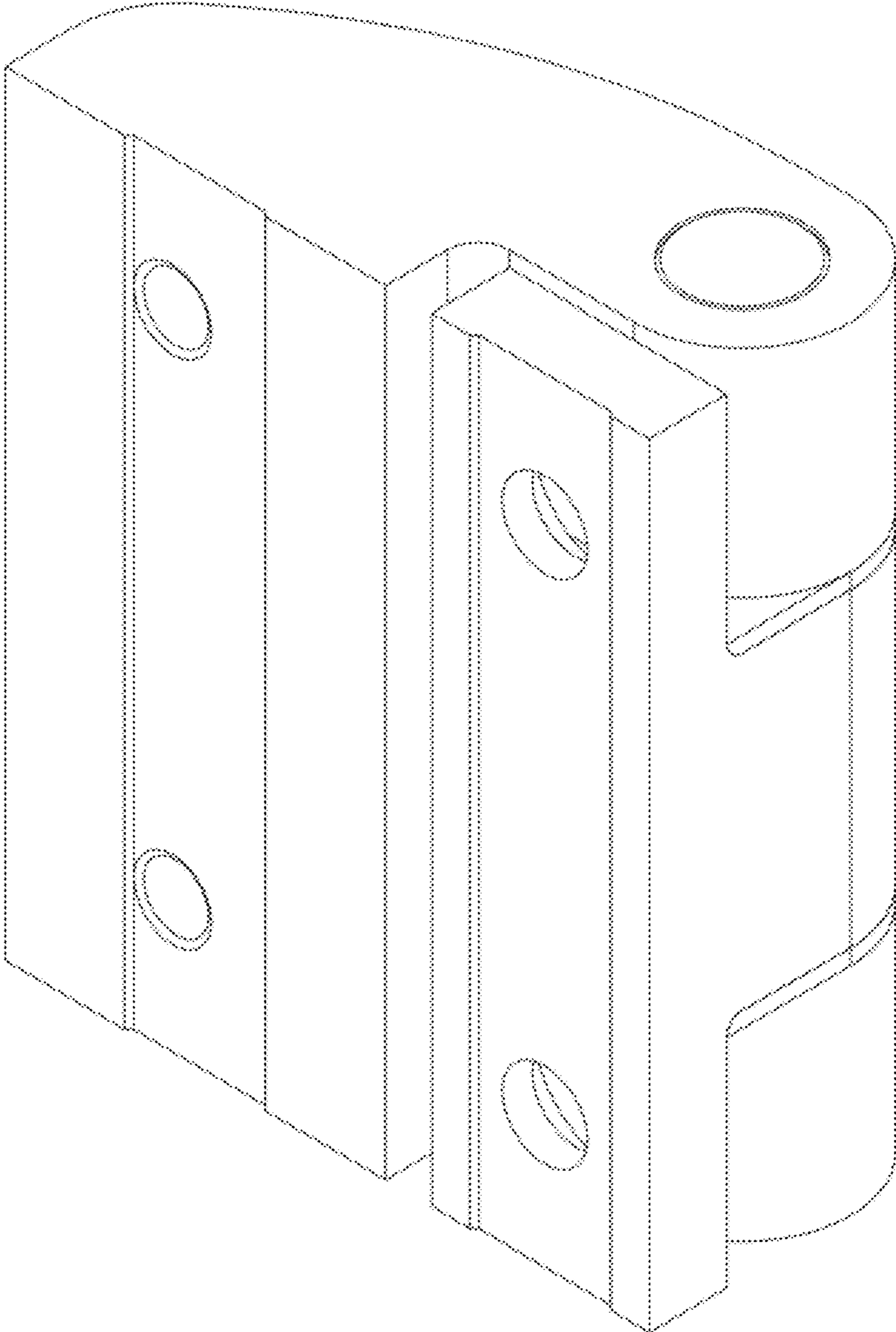
1.5



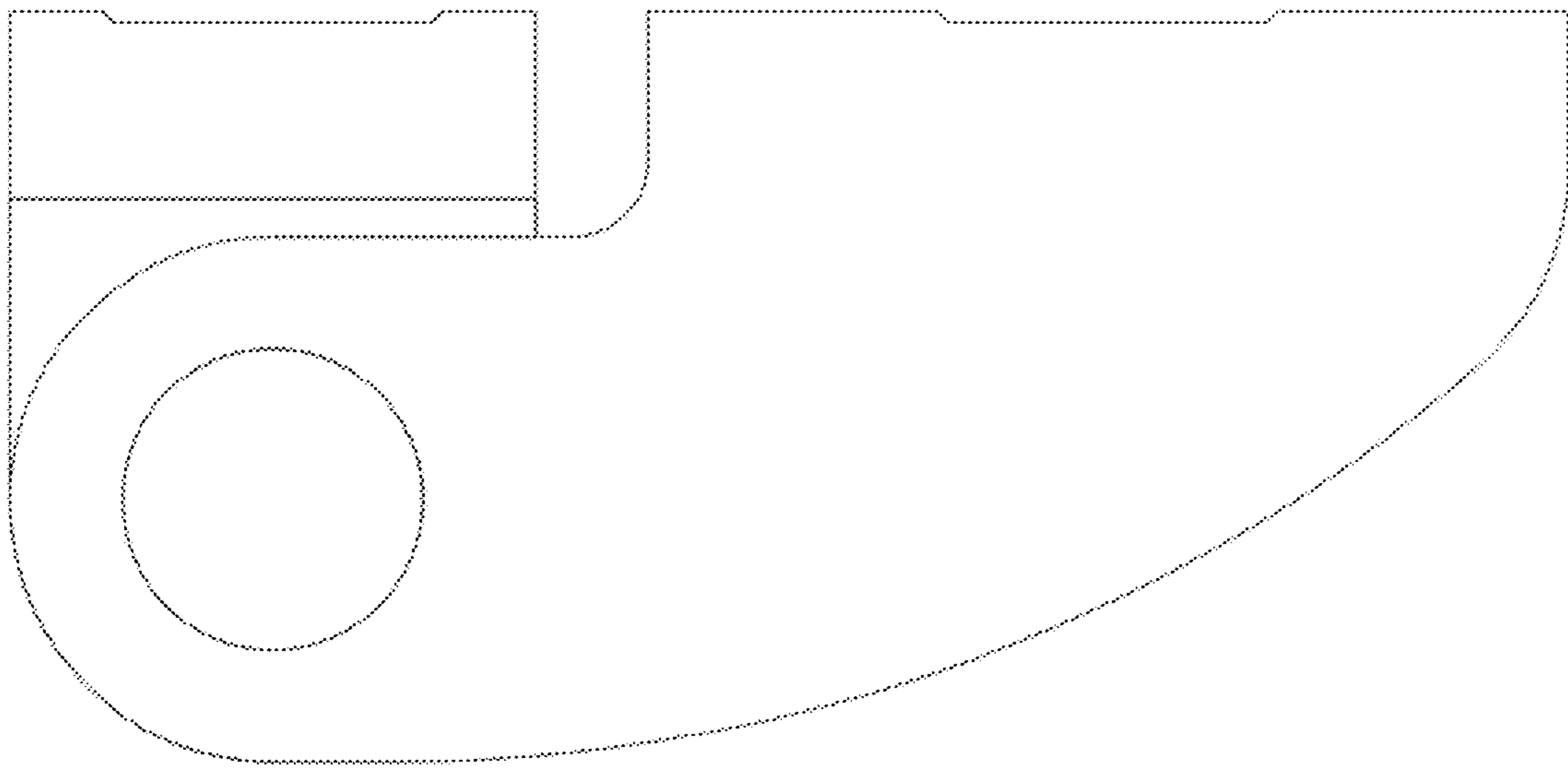
1.6



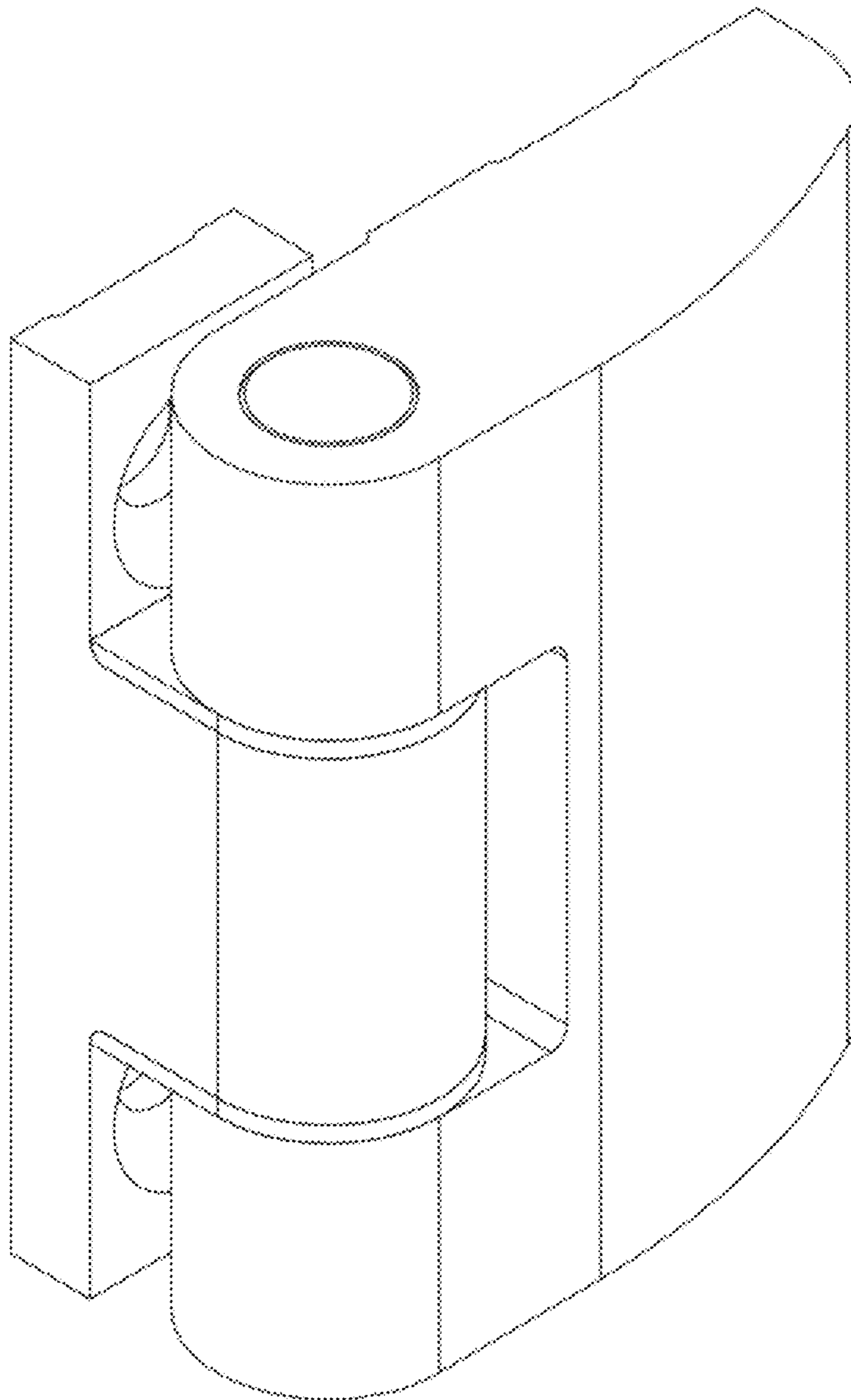
1.7



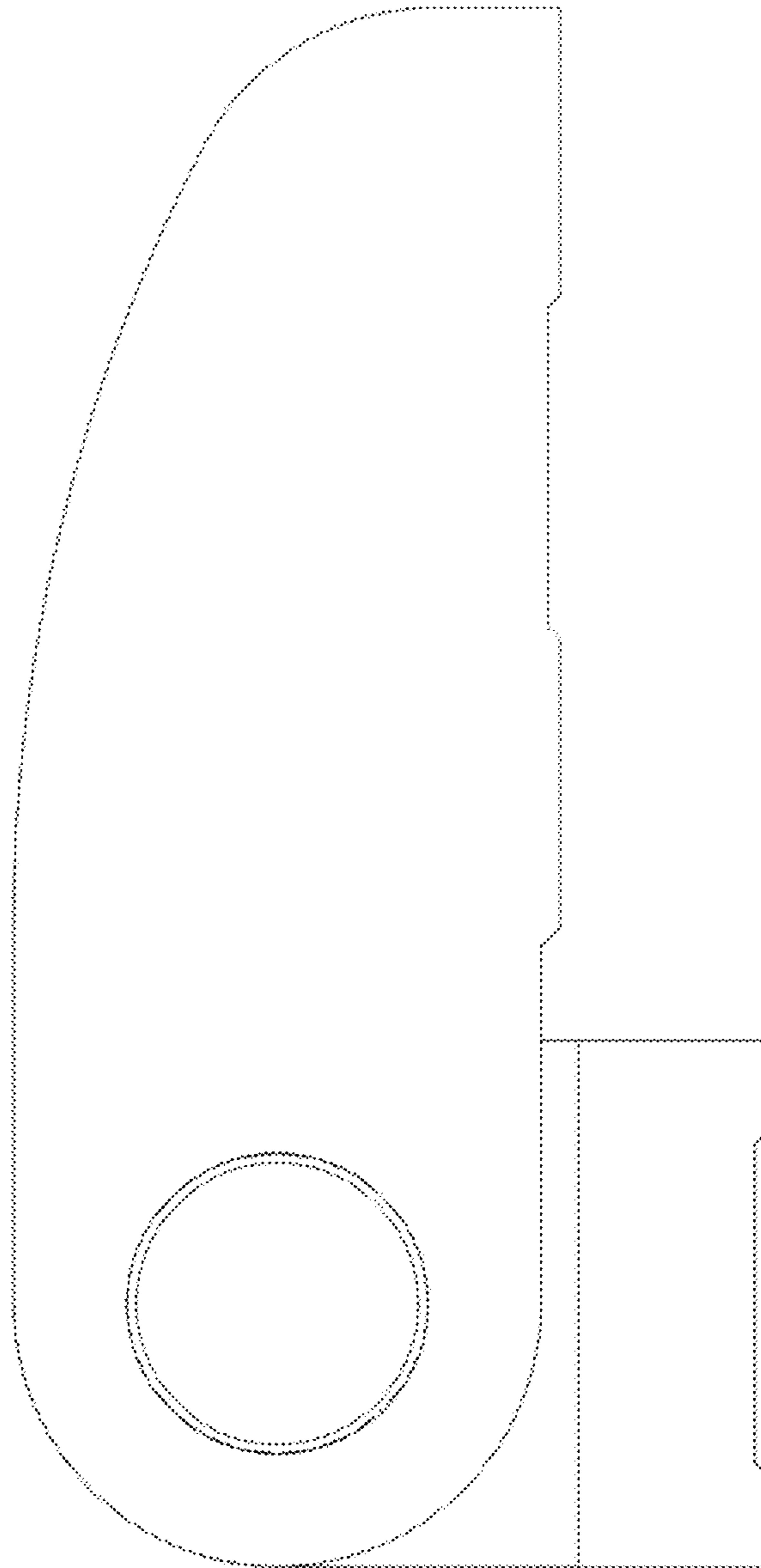
1.8



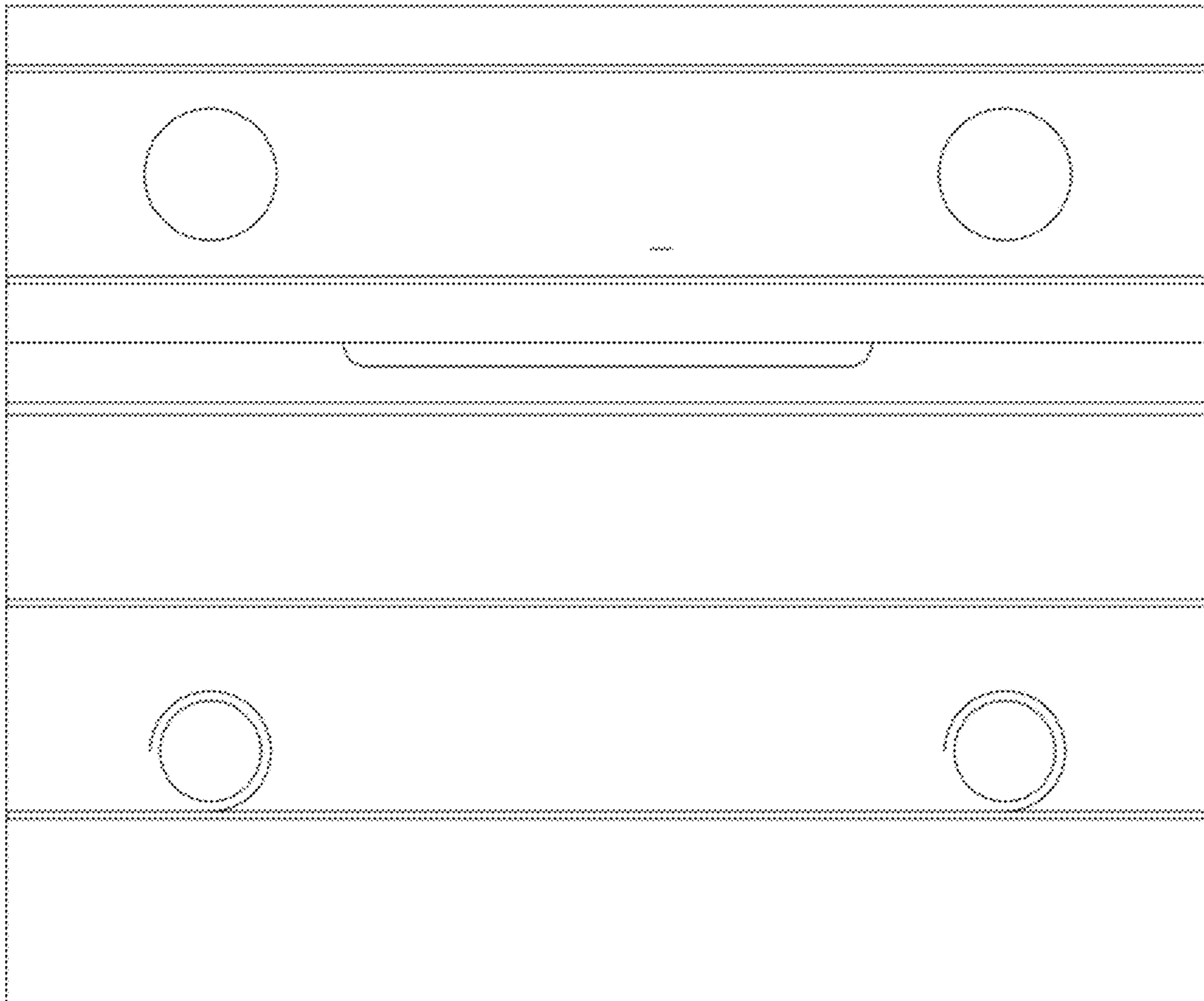
2.1



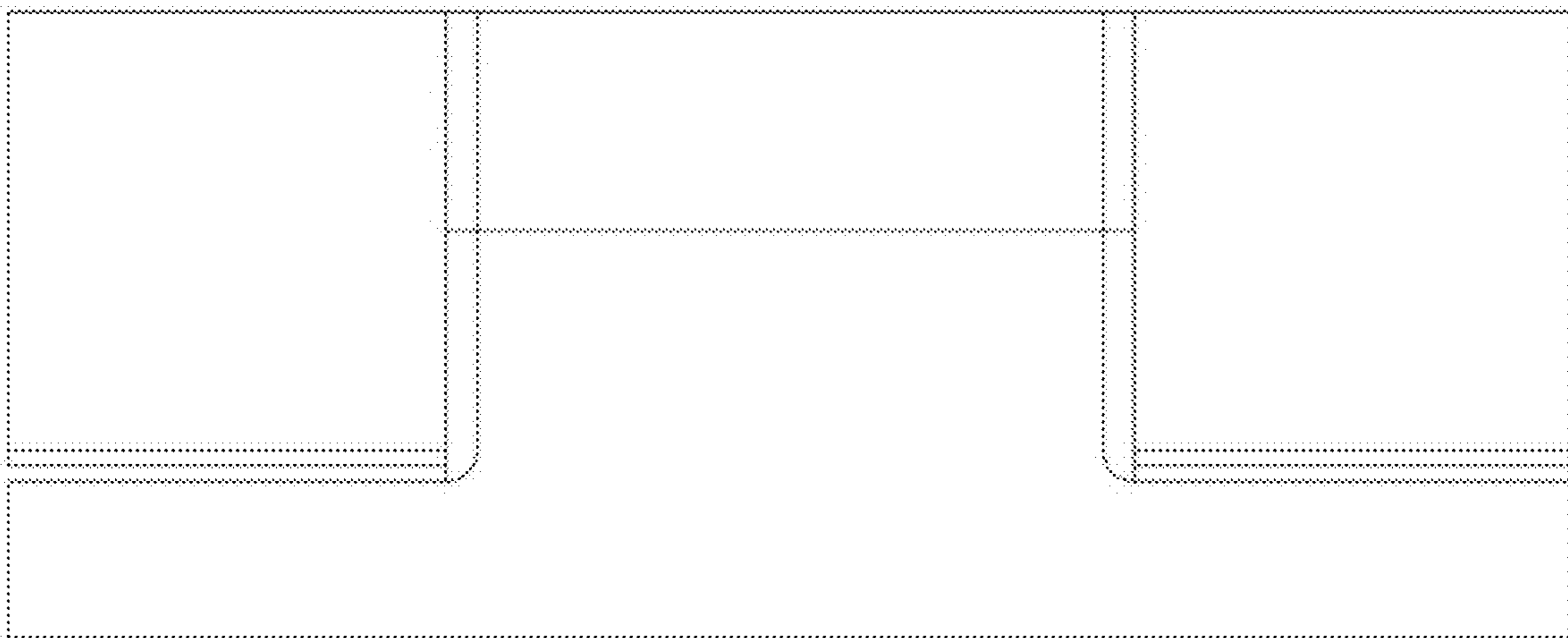
2.2



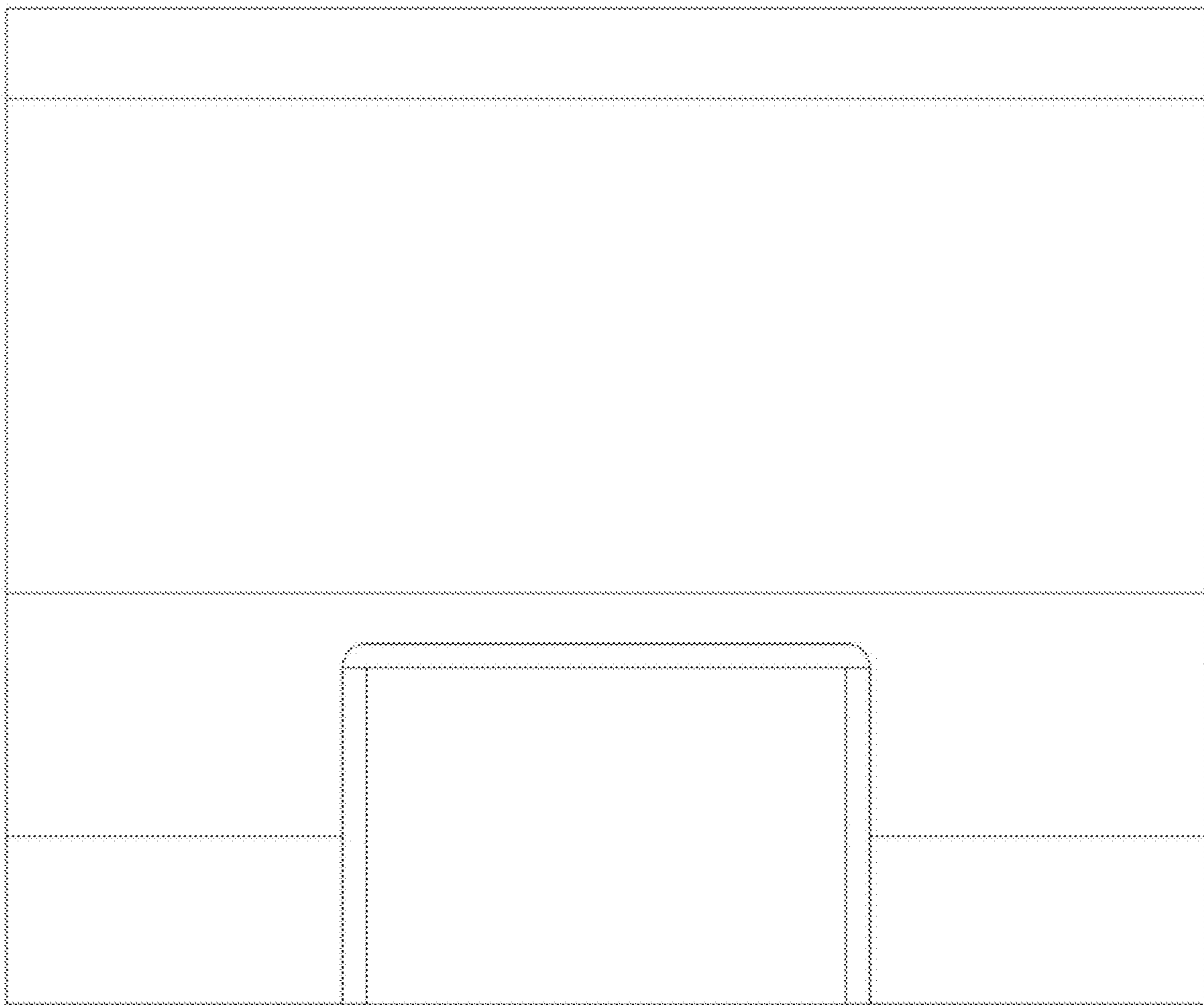
2.3



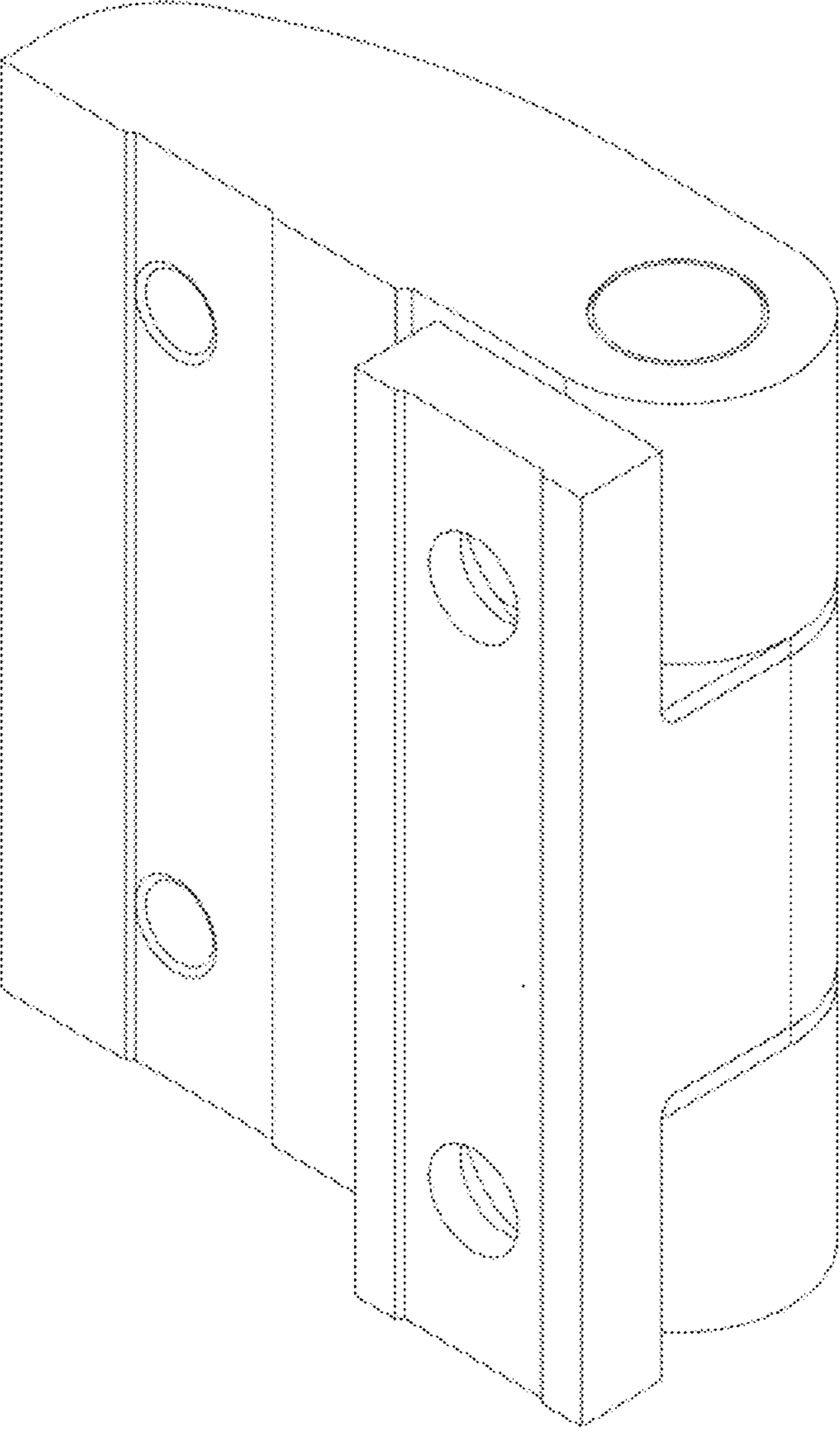
2.4



2.5



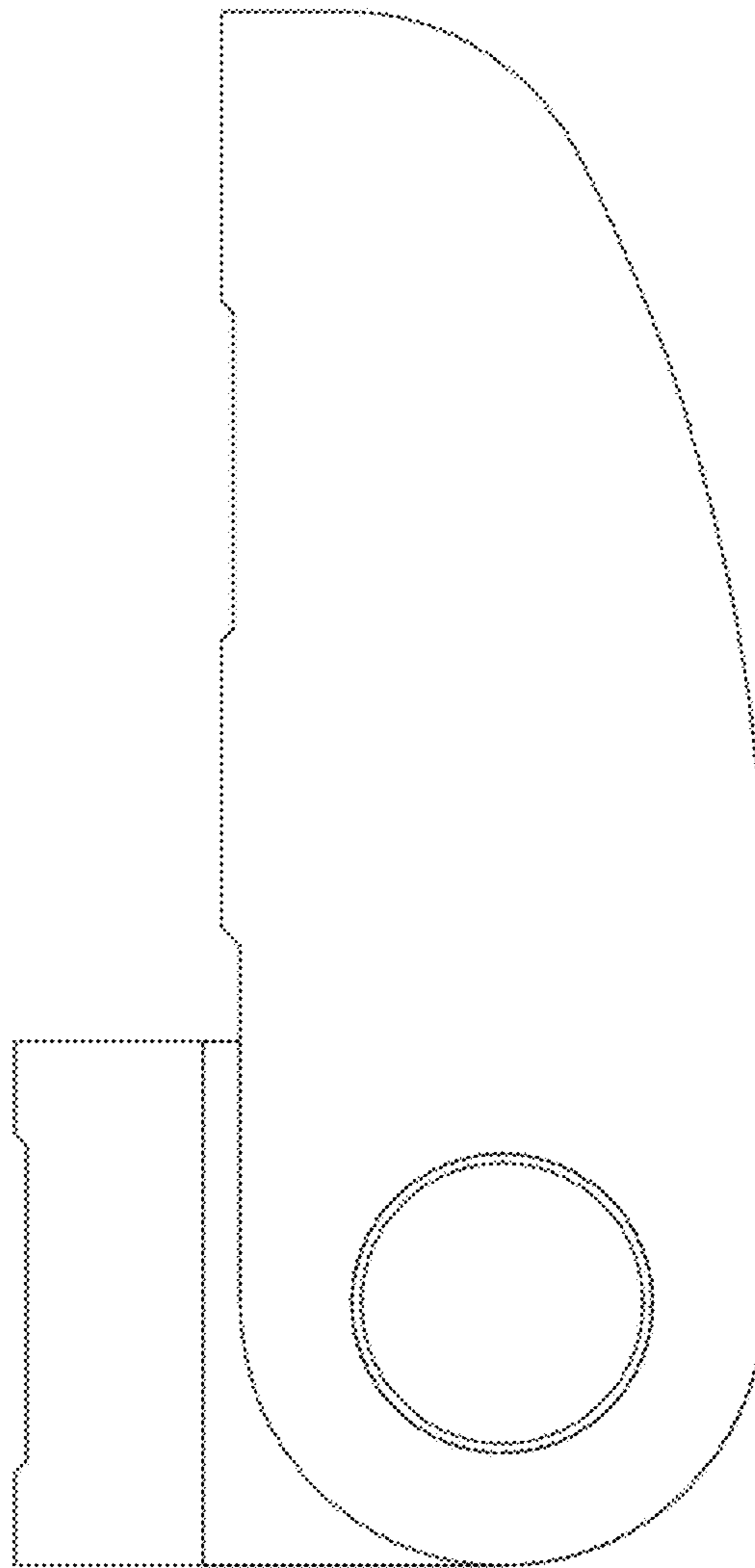
2.6



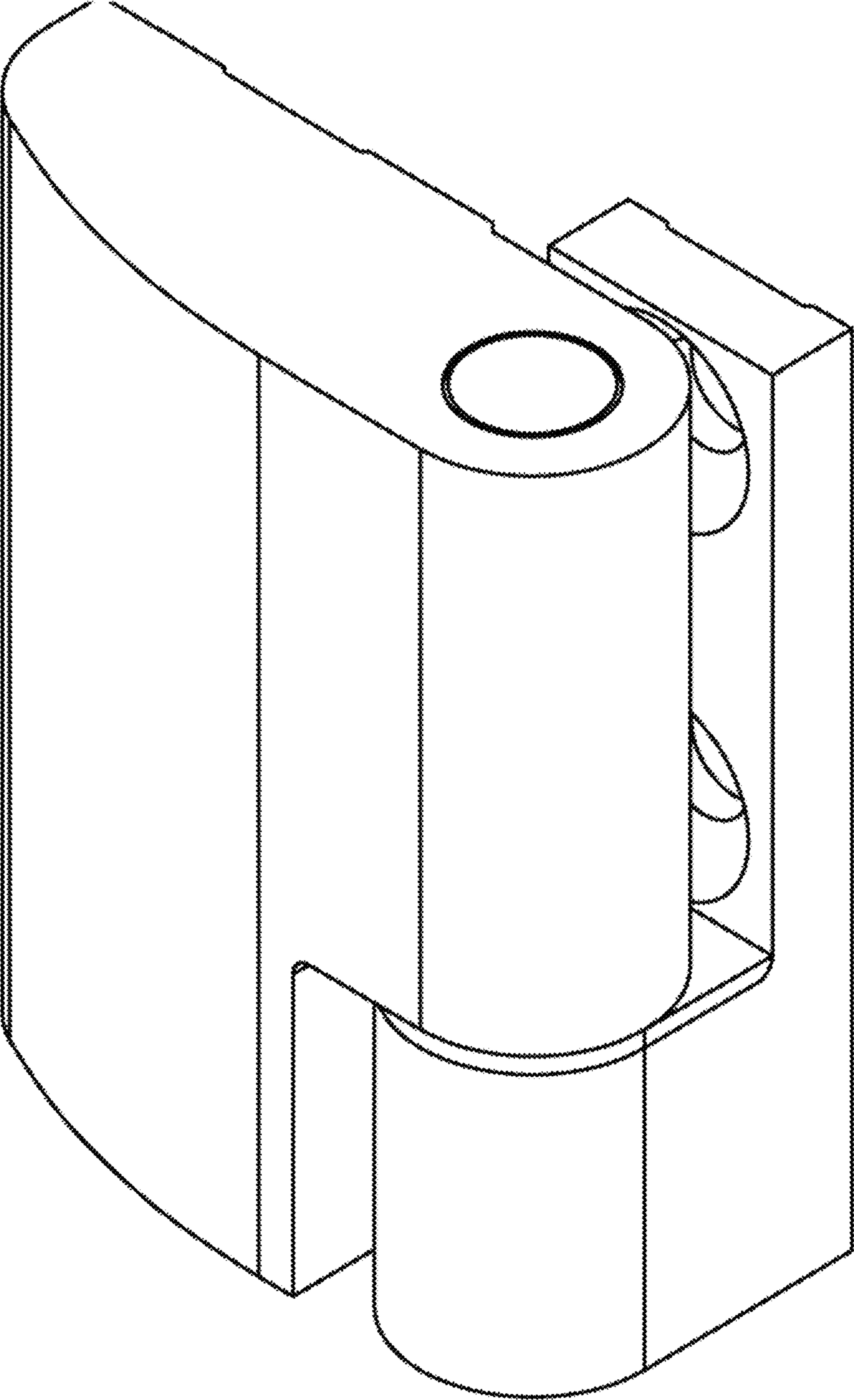
2.7



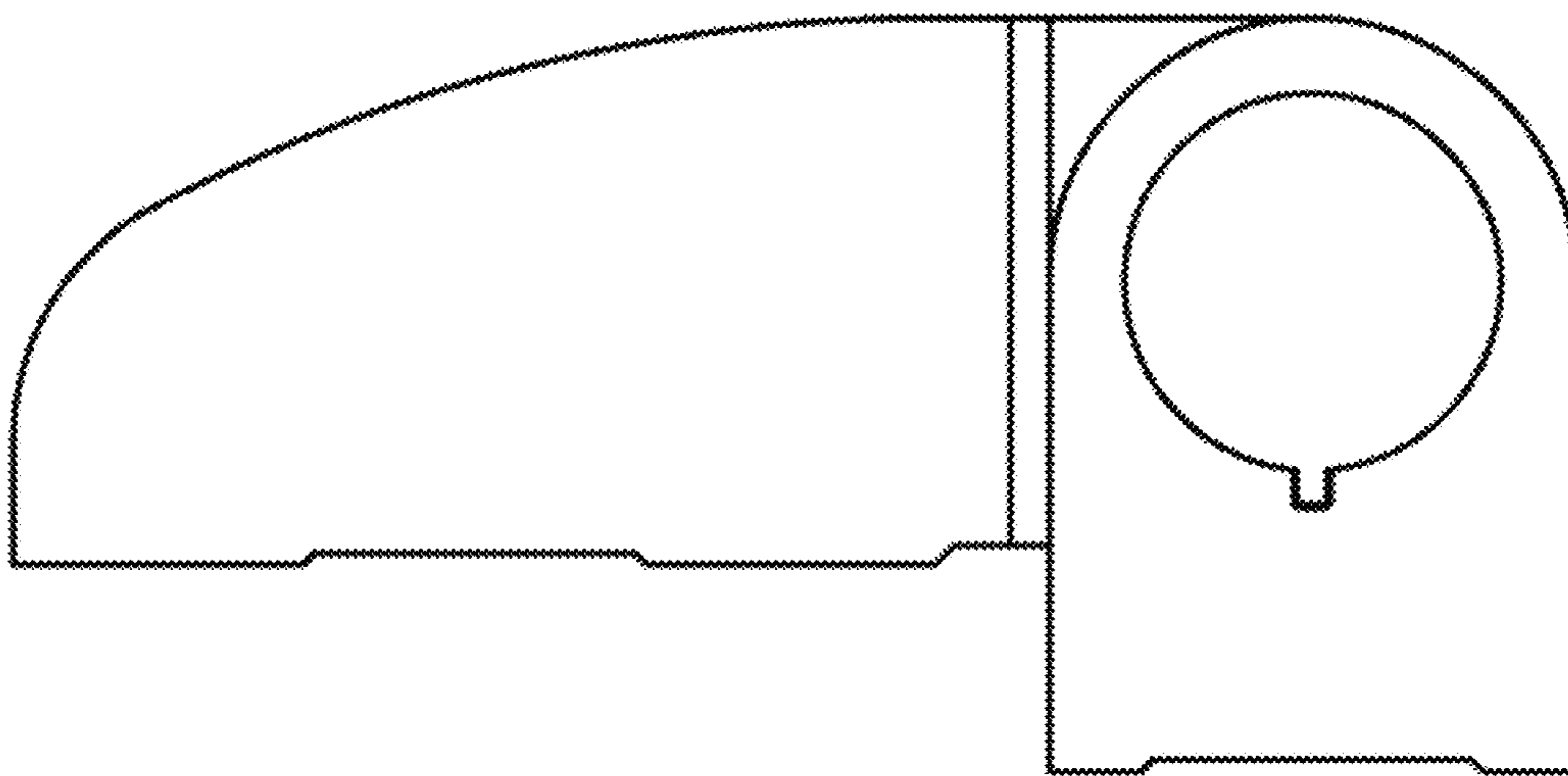
2.8



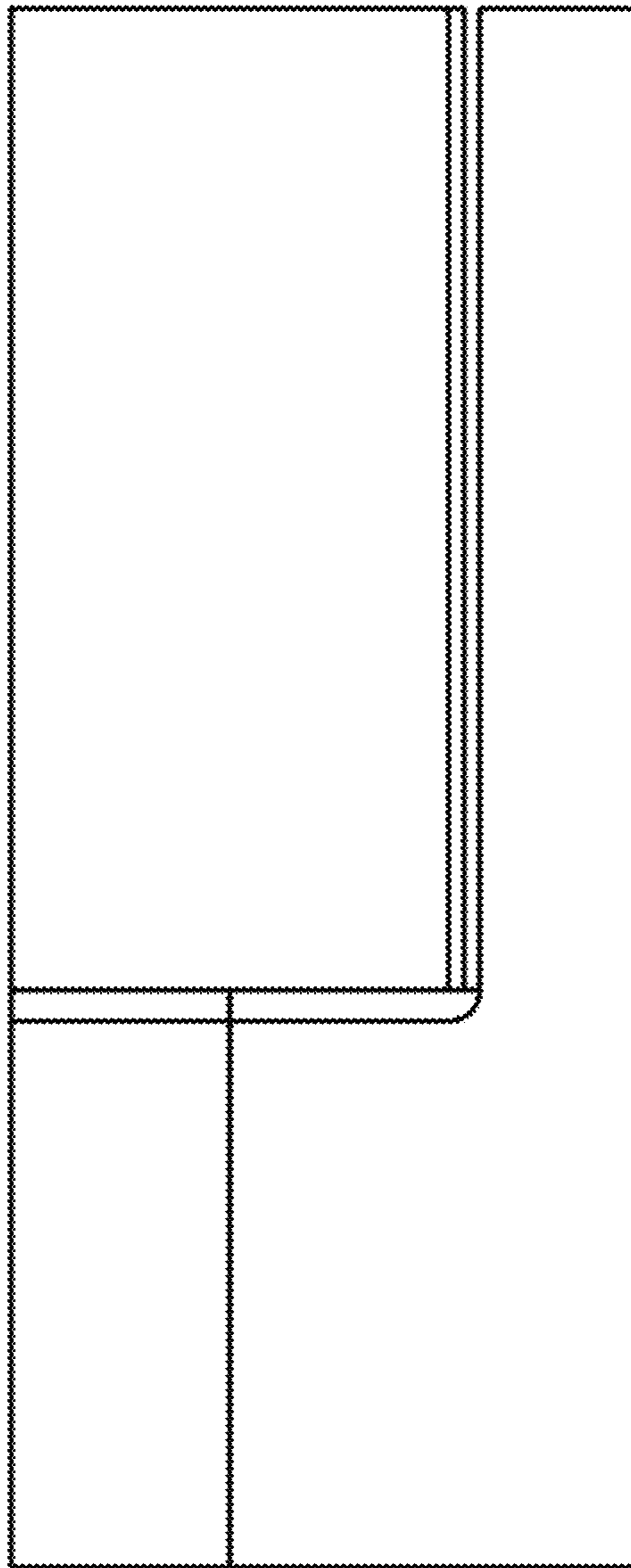
3.1



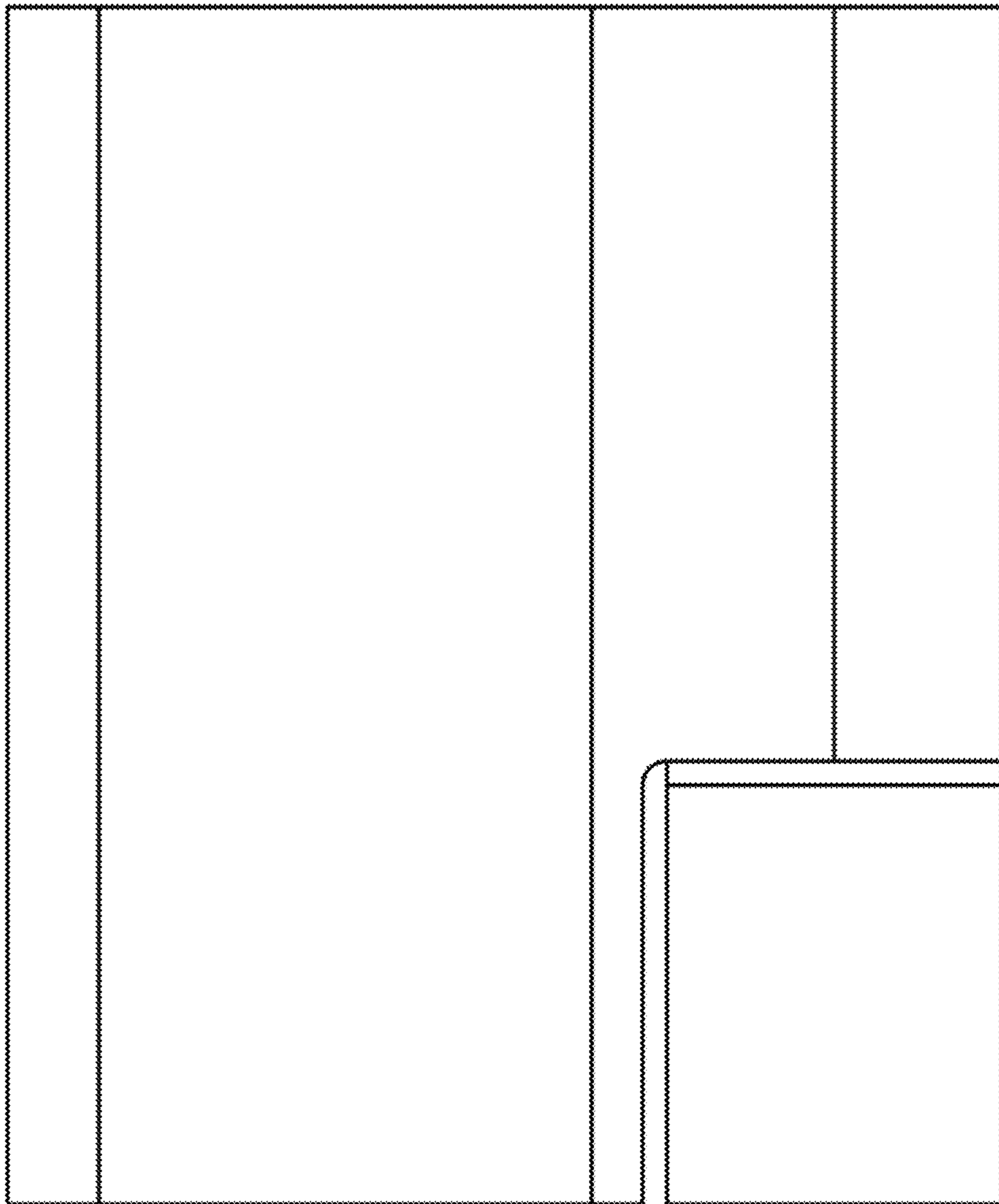
3.2



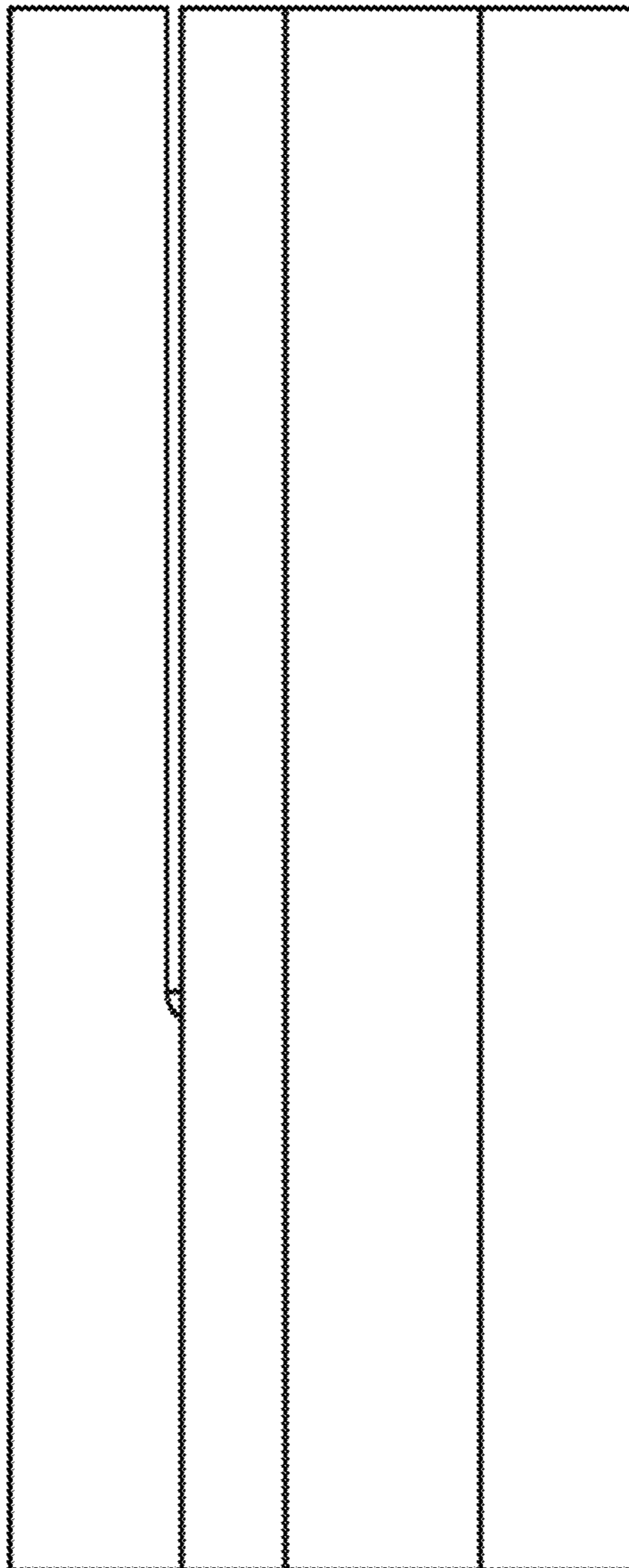
3.3



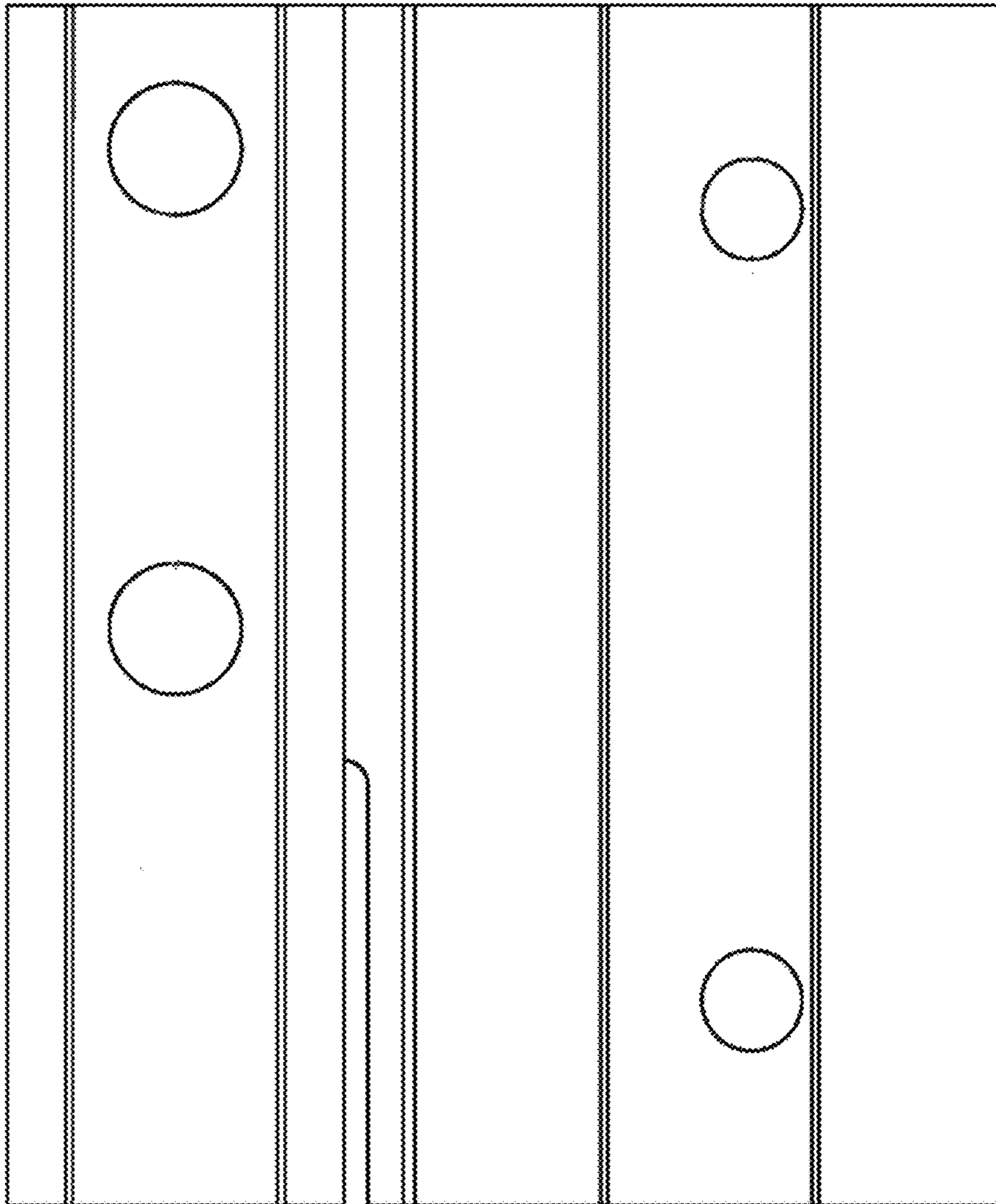
3.4



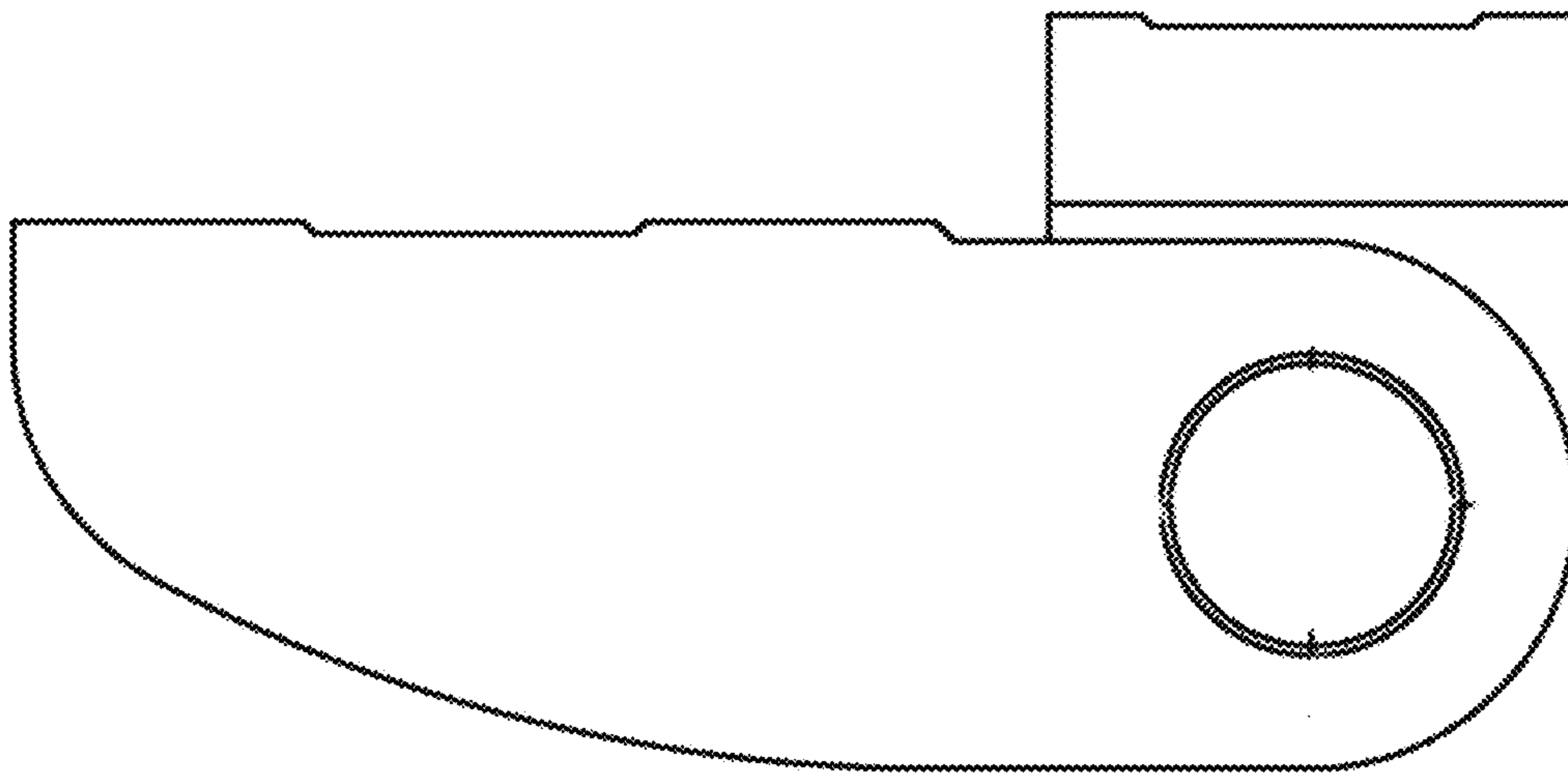
3.5



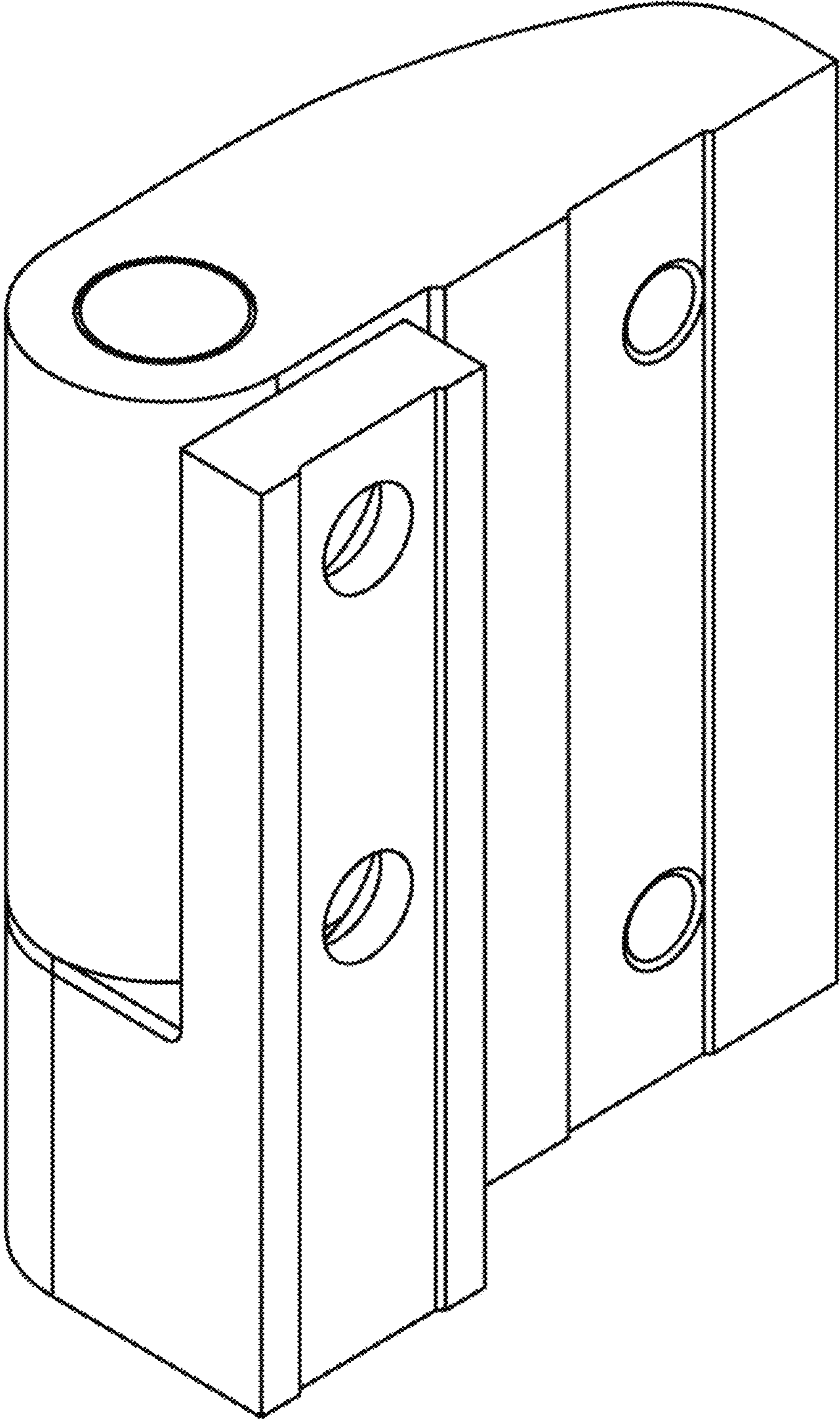
3.6



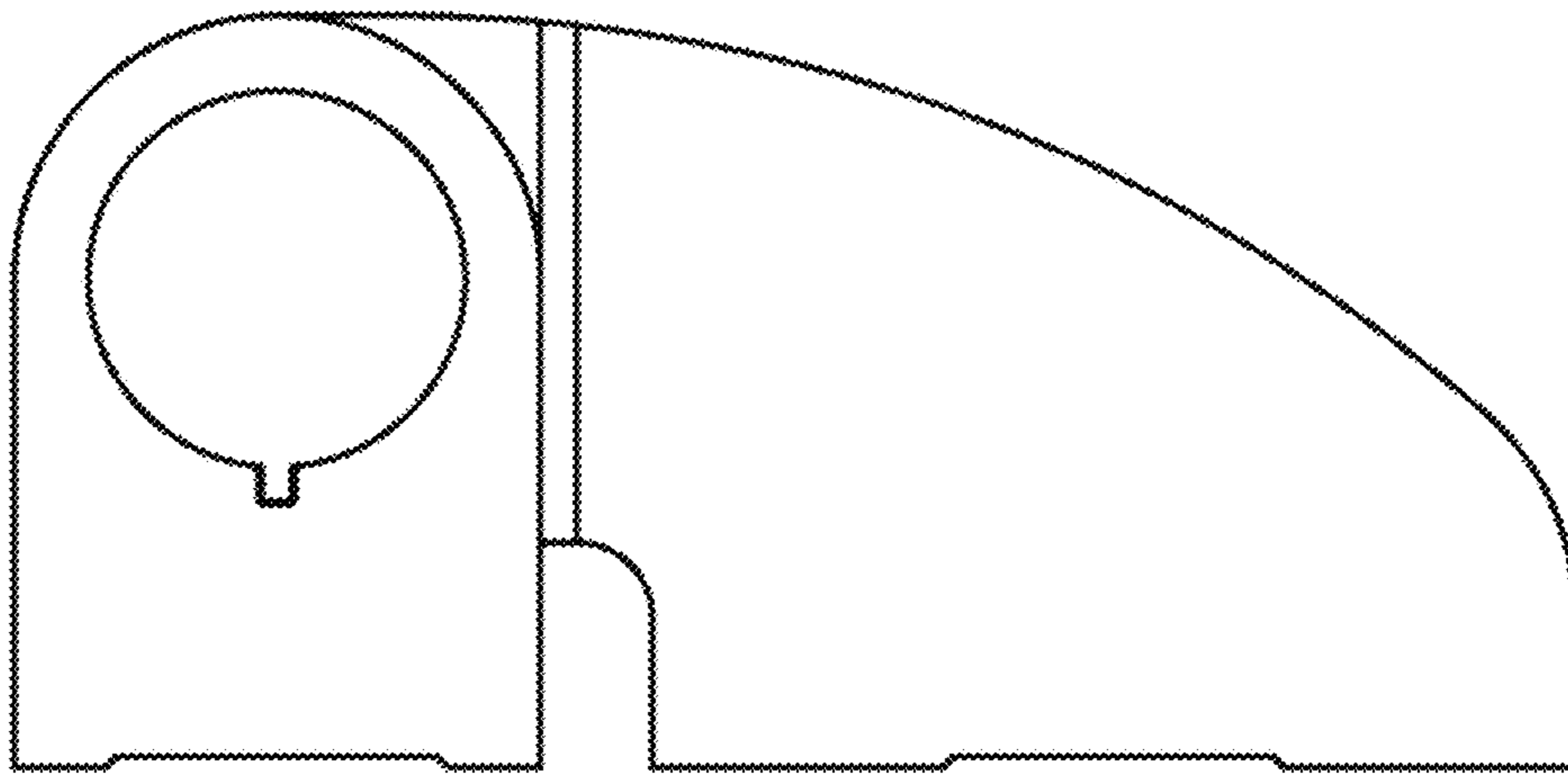
3.7



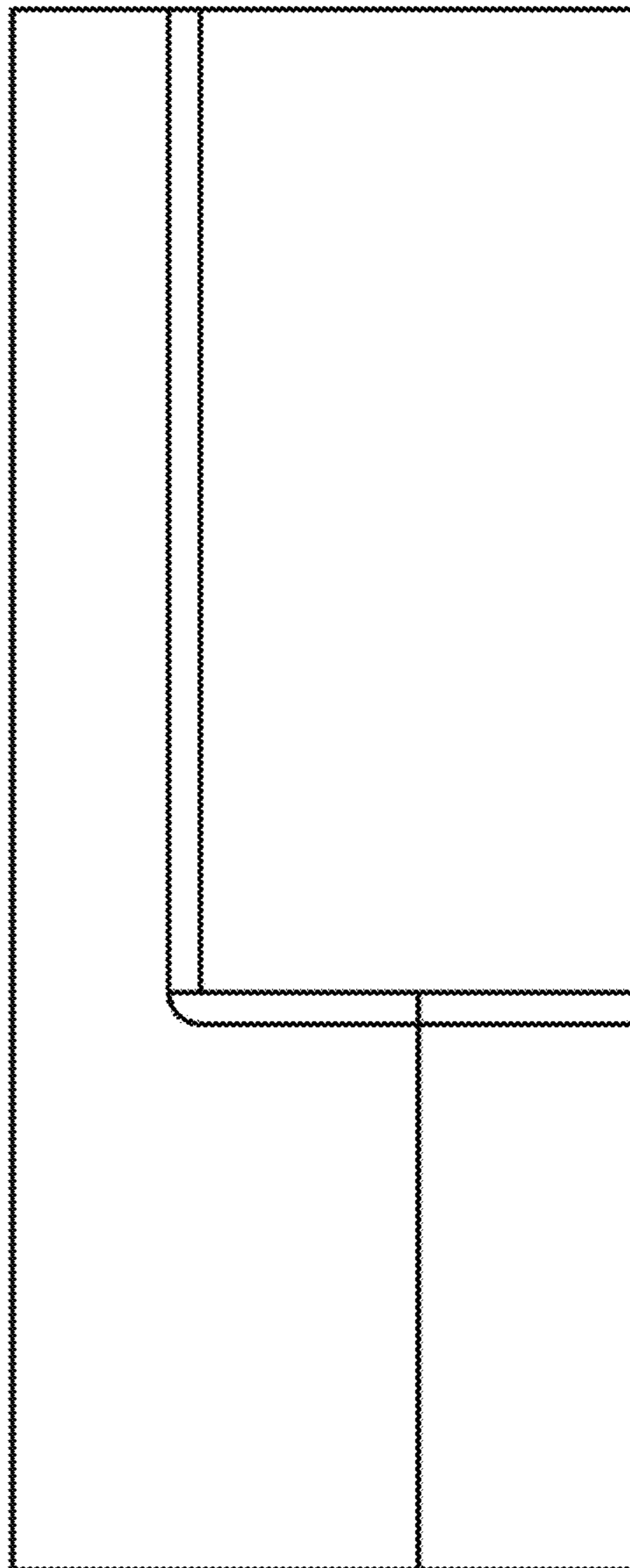
3.8



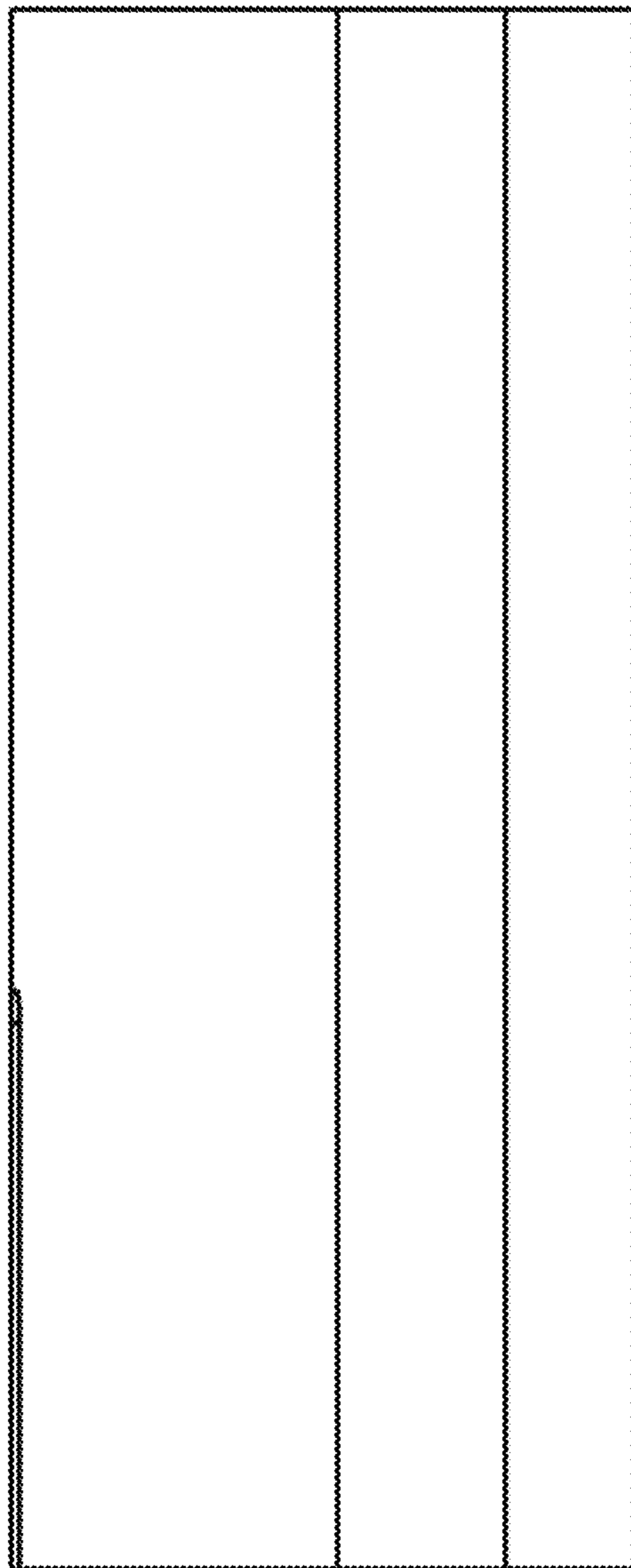
4.1



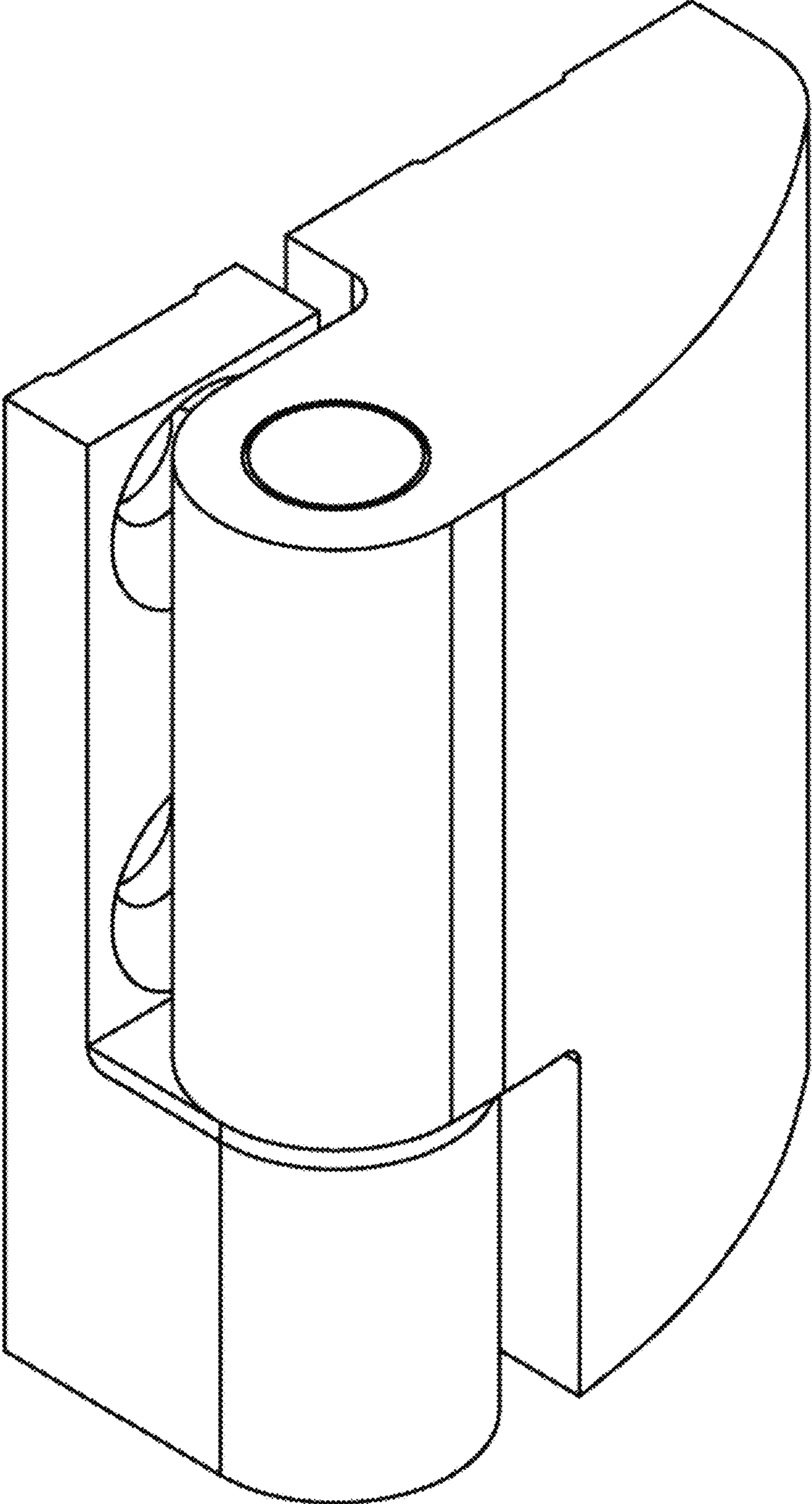
4.2



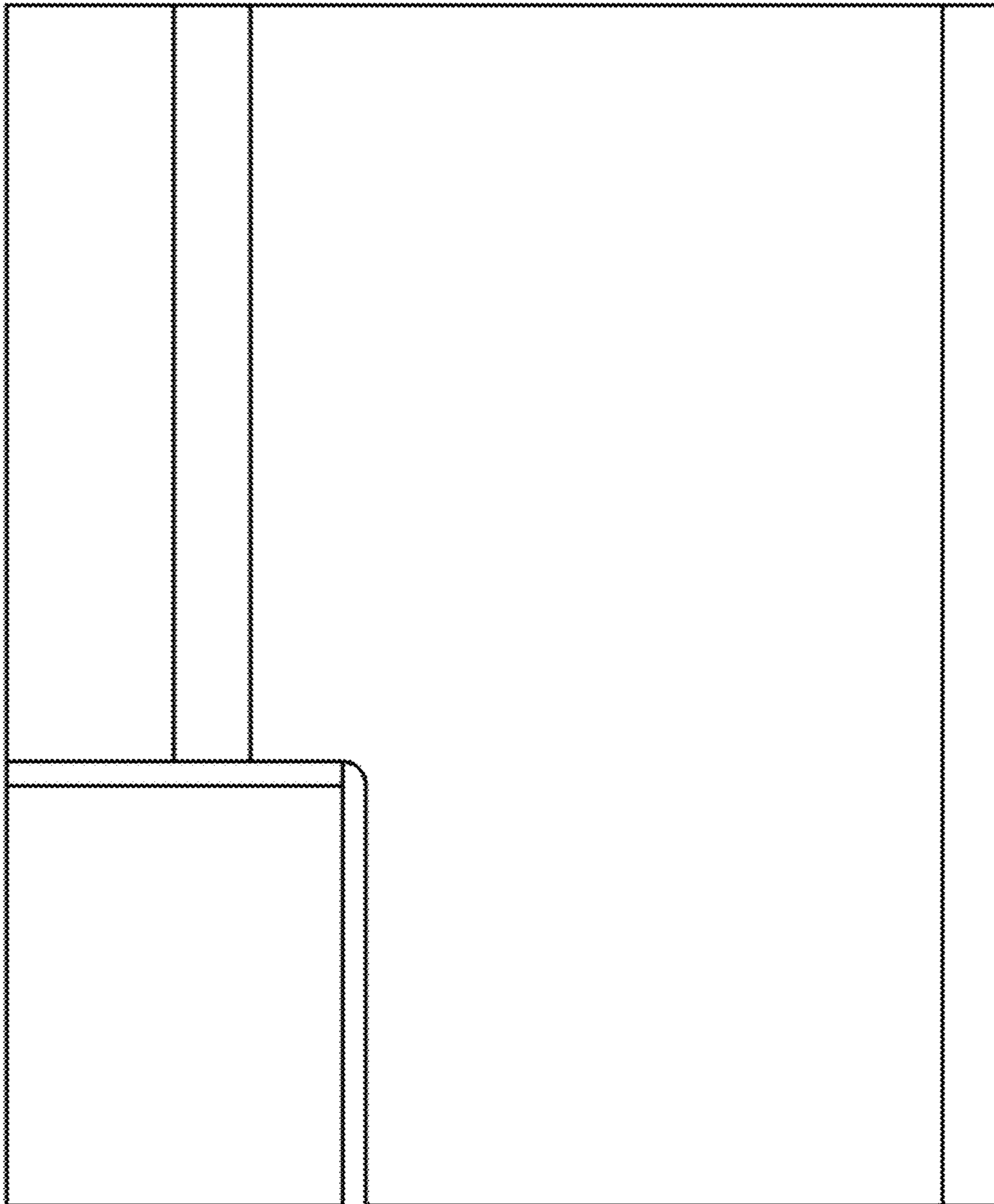
4.3



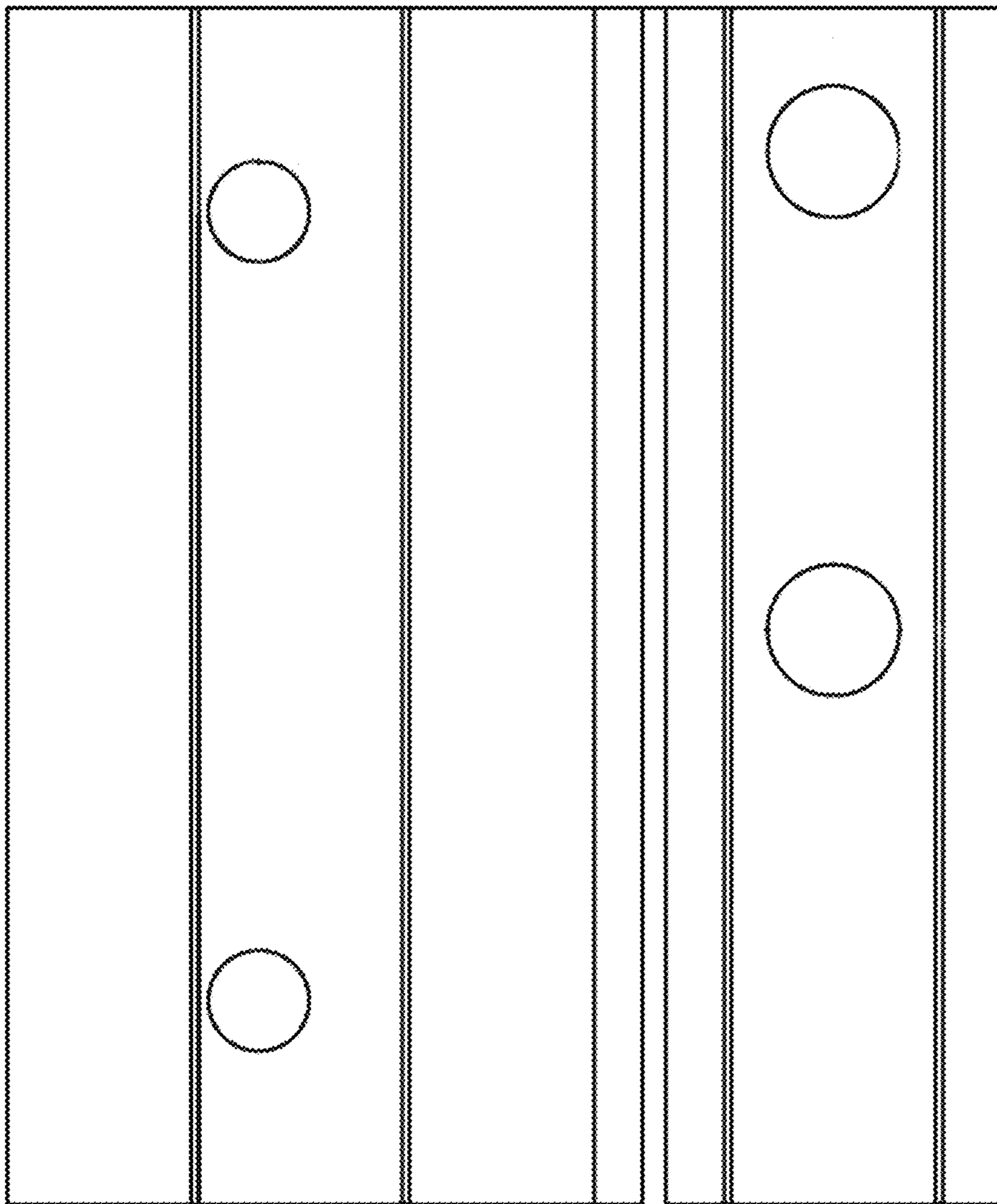
4.4



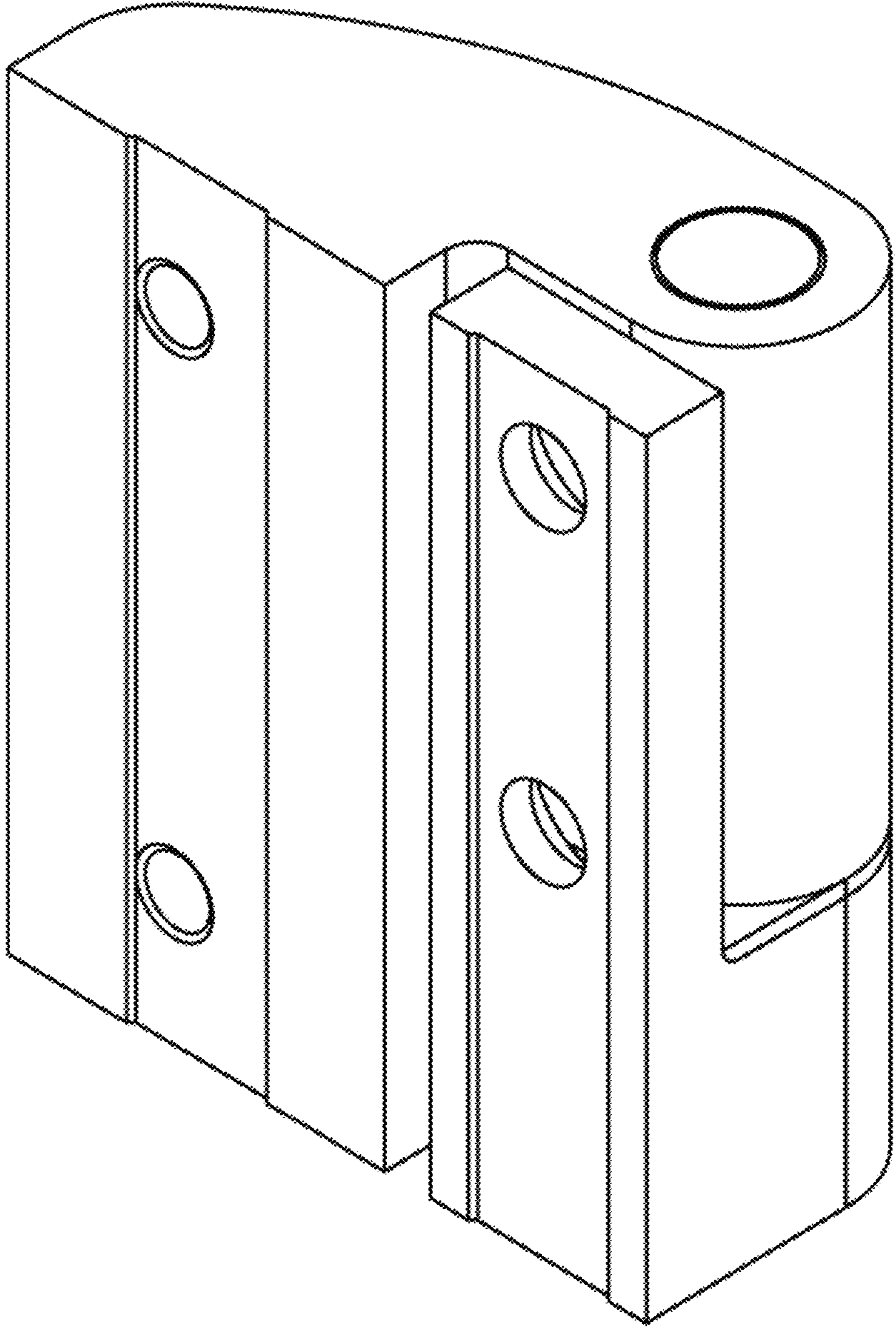
4.5



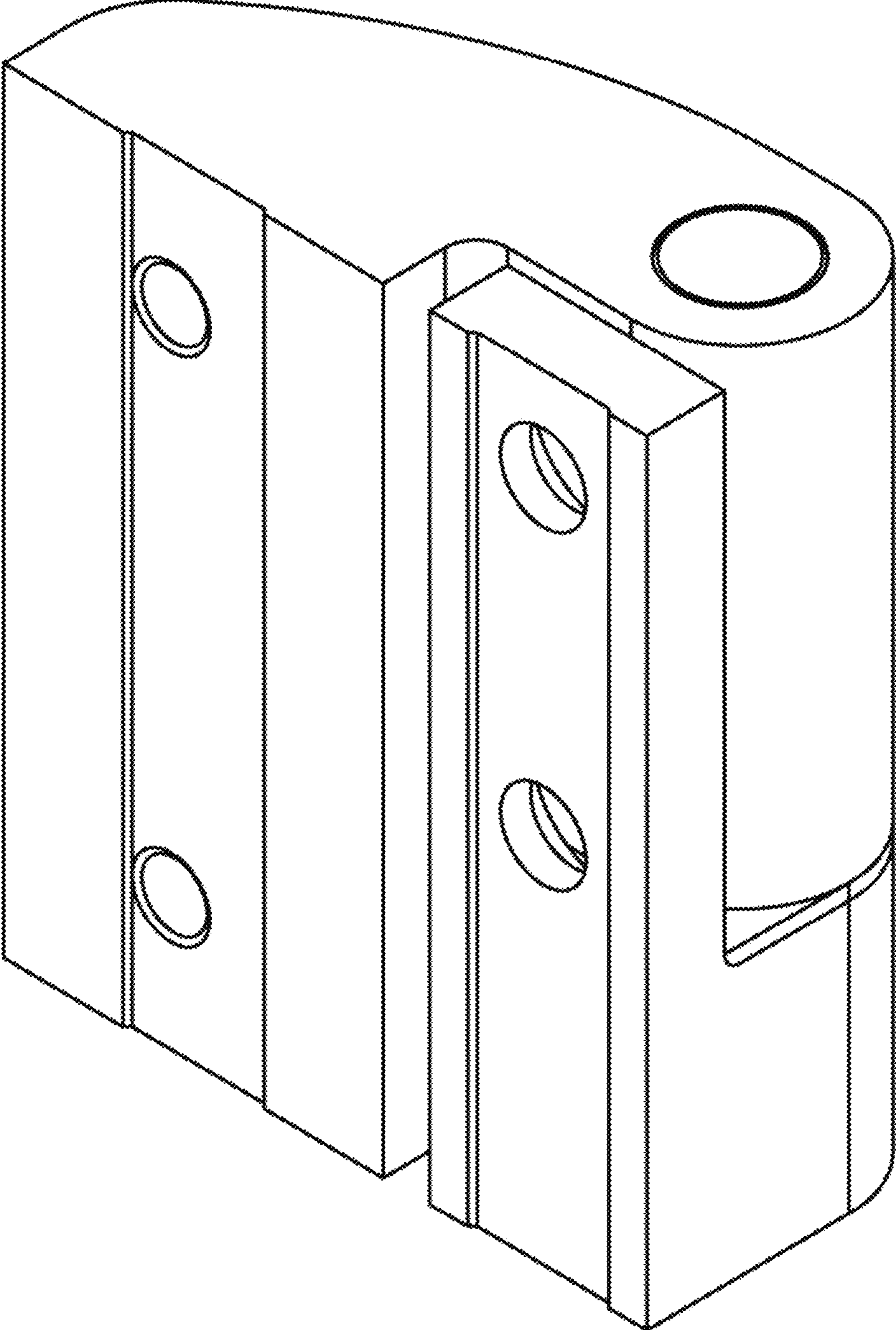
4.6



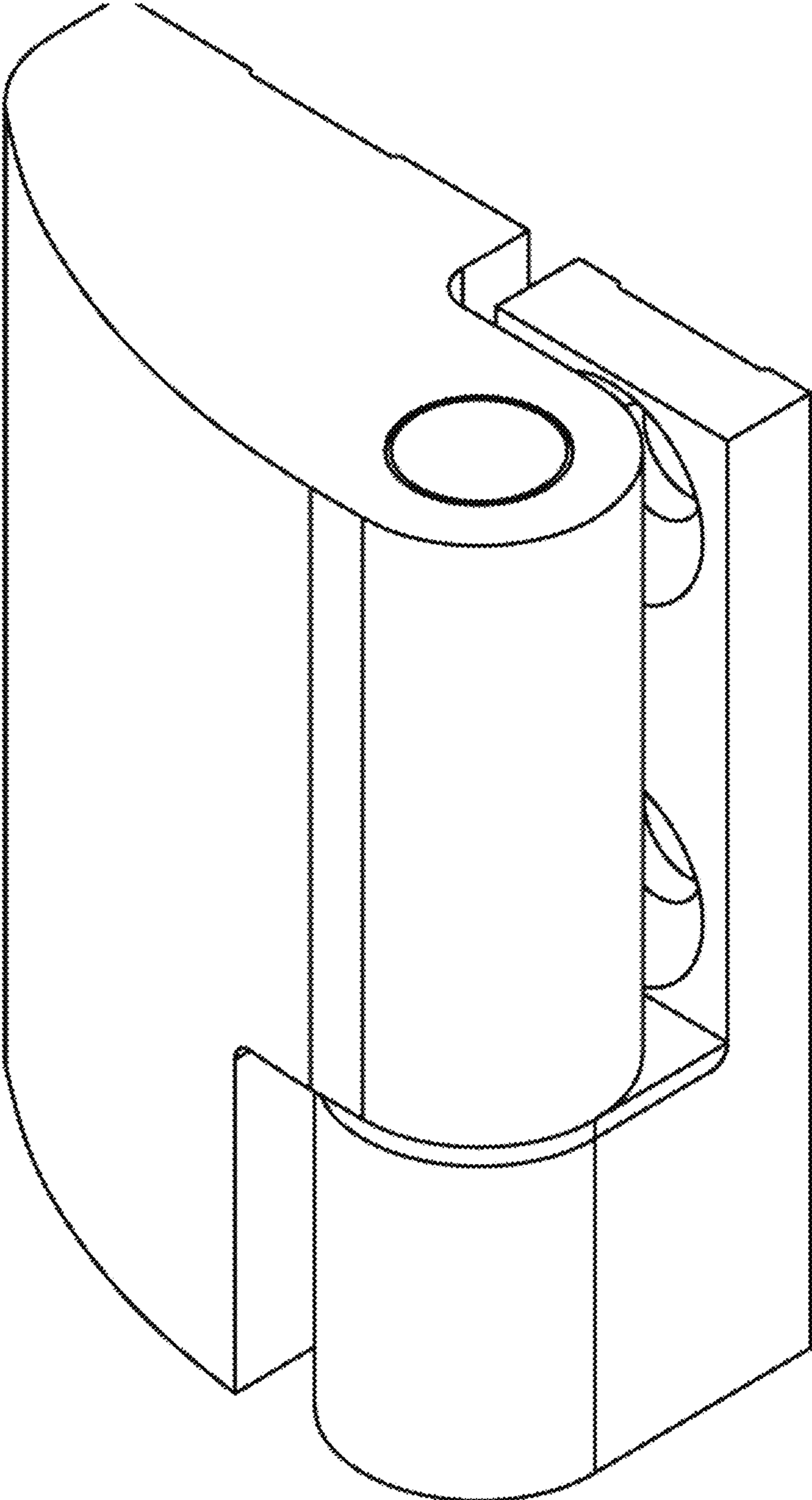
4.7



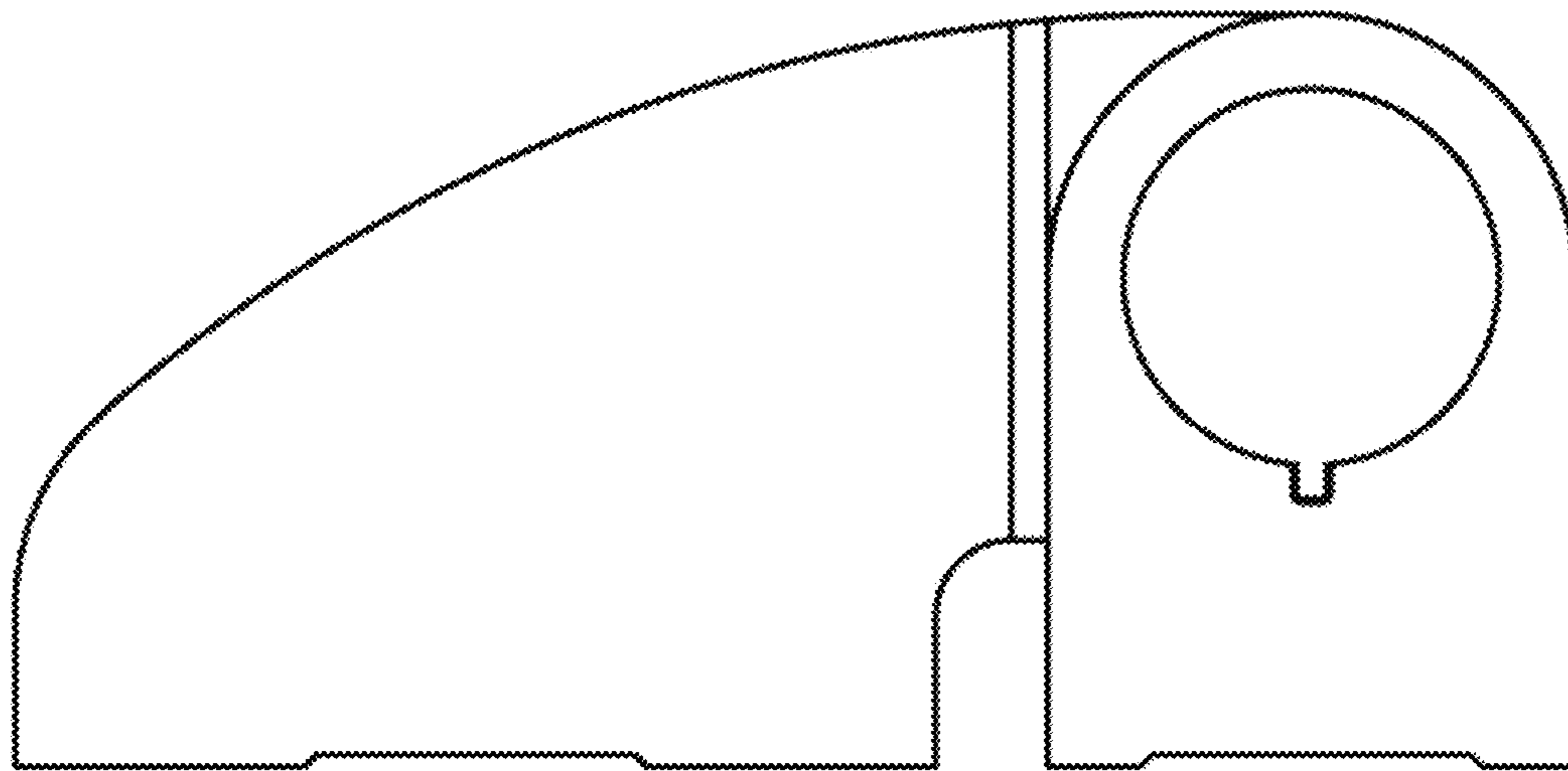
4.8



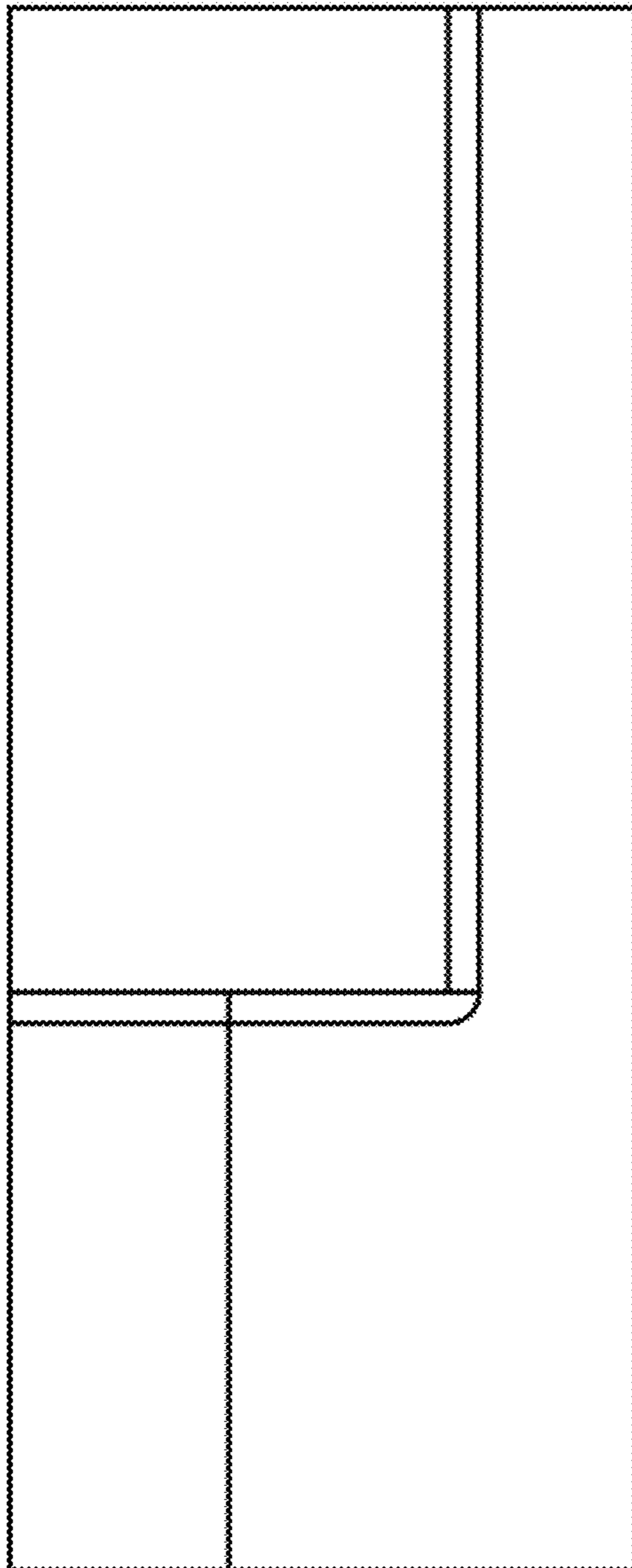
5.1



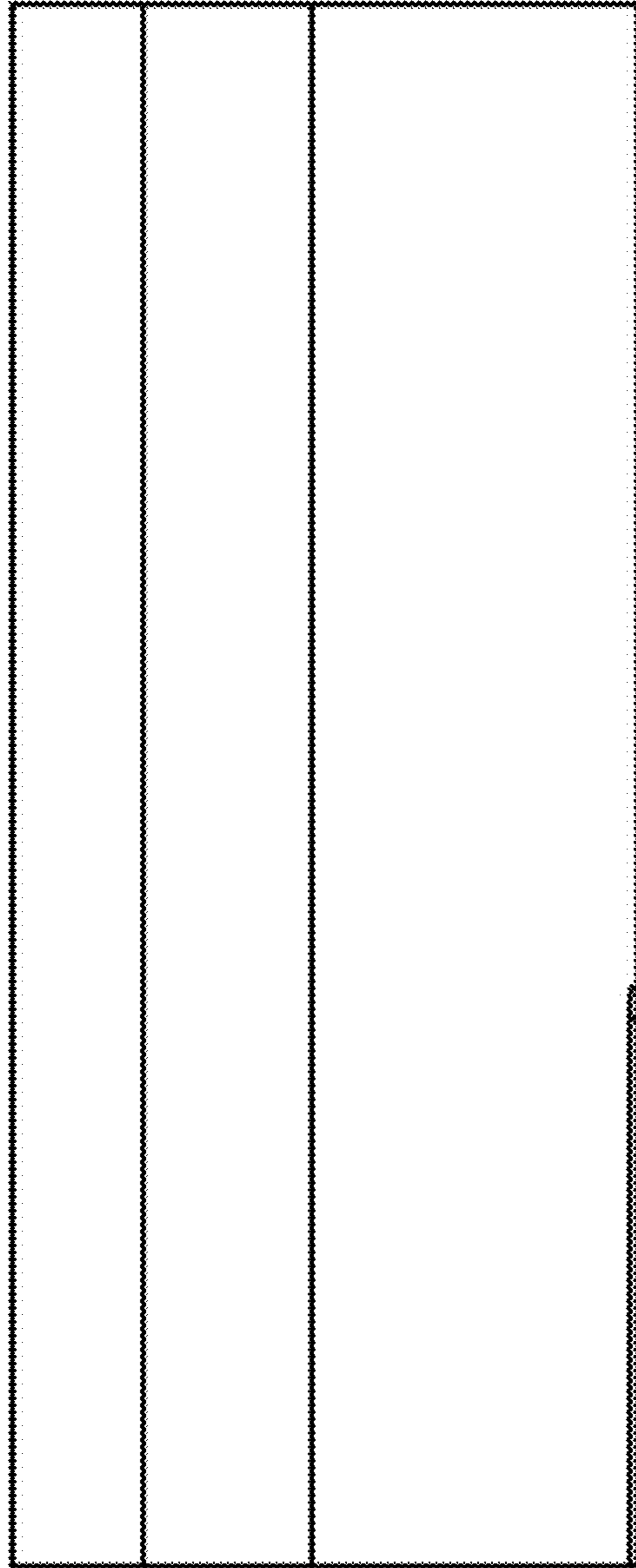
5.2



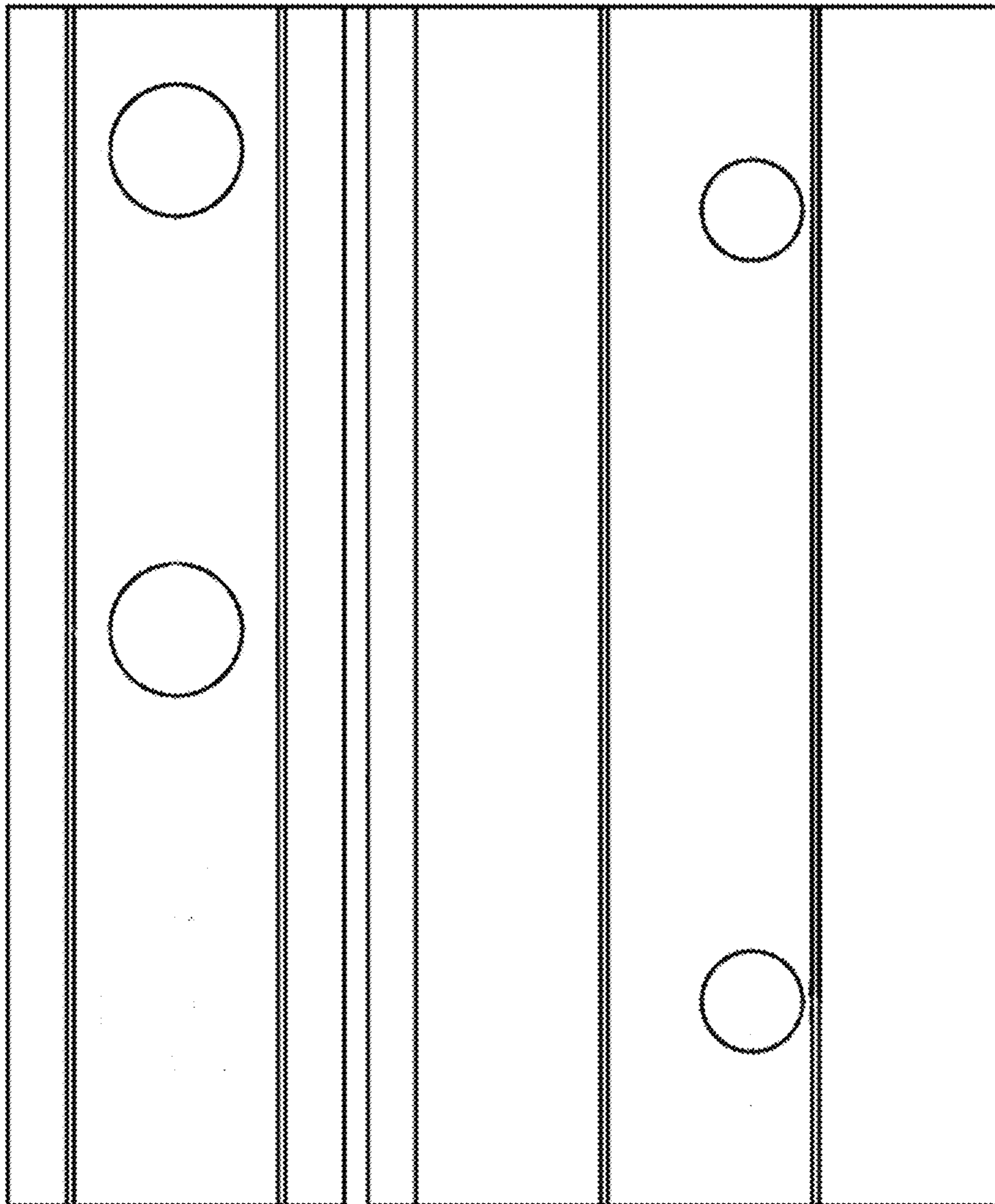
5.3



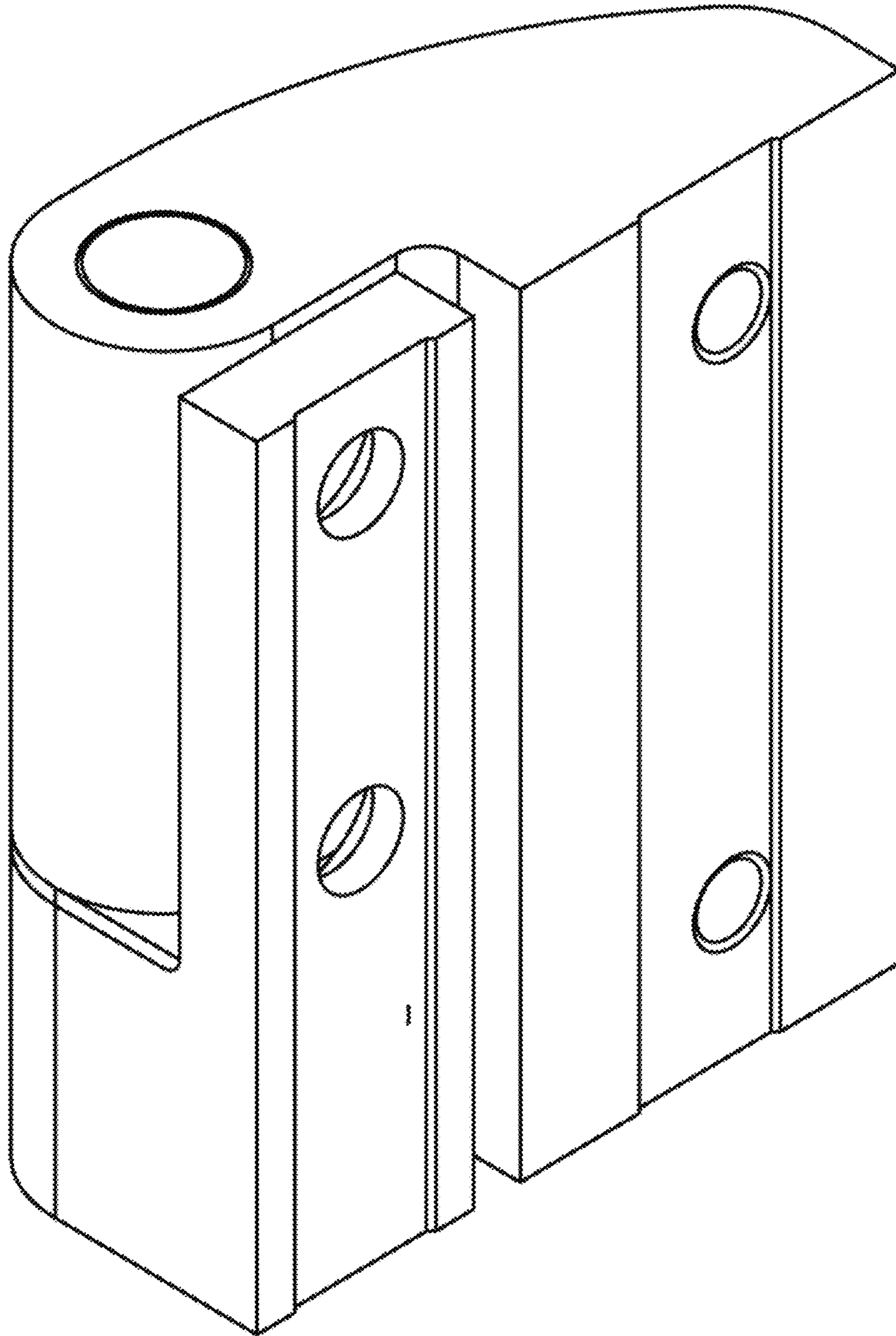
5.5



5.6



5.7



5.8

