



US00D857474S

(12) **United States Design Patent** (10) **Patent No.:** **US D857,474 S**
Lazenby et al. (45) **Date of Patent:** **** Aug. 27, 2019**

(54) **POCKET KNIFE**

(71) Applicant: **LEATHERMAN TOOL GROUP, INC.**, Portland, OR (US)

(72) Inventors: **Adam Lazenby**, Lake Oswego, OR (US); **Matthew Raymond Brown**, Portland, OR (US)

(73) Assignee: **LEATHERMAN TOOL GROUP, INC.**, Portland, OR (US)

(**) Term: **15 Years**

(21) Appl. No.: **29/676,481**

(22) Filed: **Jan. 11, 2019**

Related U.S. Application Data

(62) Division of application No. 29/599,389, filed on Apr. 3, 2017, now Pat. No. Des. 842,674.

(51) **LOC (12) Cl.** **08-03**

(52) **U.S. Cl.**
USPC **D8/99**

(58) **Field of Classification Search**
USPC D8/18, 98, 99, 105, 40, 43
CPC B26B 5/001; B26B 5/003; B26B 11/00;
B26B 1/02; B26B 1/04; B26B 1/042;
B26B 1/044; B26B 1/046; B67B 7/44
See application file for complete search history.

(56) **References Cited**

U.S. PATENT DOCUMENTS

D144,839 S	5/1946	Coles	
D366,408 S	1/1996	Sessions et al.	
D373,062 S *	8/1996	Neron	D8/99
D402,177 S	12/1998	Glesser	
D411,091 S *	6/1999	Halligan	D8/99
D427,043 S *	6/2000	Cheng	D8/99
D429,986 S *	8/2000	Cheng	D8/99
6,105,255 A *	8/2000	Cheng	B26B 1/046 30/155
D438,443 S	3/2001	Keating	

D442,841 S	5/2001	Balolia	
D487,628 S	3/2004	Mathews	
D494,437 S	8/2004	Scarla	
6,848,184 B2 *	2/2005	Cheng	B26B 1/044 30/155
6,851,147 B2	2/2005	Abrahall	

(Continued)

OTHER PUBLICATIONS

1Pcs Multi-function Balt Money Key Chain Stainless Steel EDC Tool Clip Kaychain bottle opener cord wrapper pocket clip outdoor-in Outdoor Tools from . . . [online] [retrieved Jan. 5, 2017]. Retrieved from the Internet: <URL:https://www.aliexpress.com/item/Brief-Designer-5-in-1-Stainless-Steel-Multifunction-Tool-Key-Chain-Clip-Clip-Bottle-Opener/32441083832.html?spm=2114.40010308.4.28.QgfX6h>. 3 pages.

(Continued)

Primary Examiner — Philip S Hyder

(74) *Attorney, Agent, or Firm* — Alston & Bird LLP

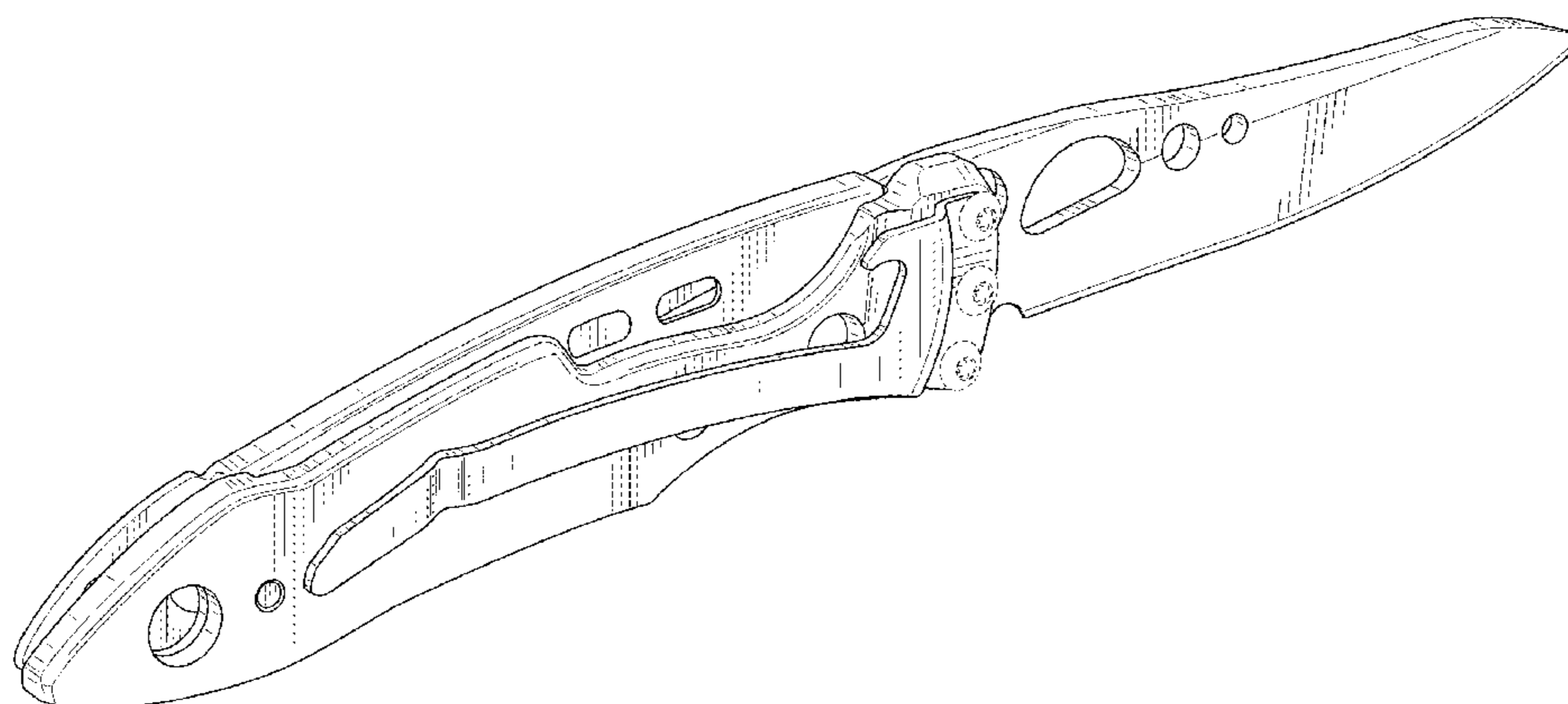
(57) **CLAIM**

The ornamental design for a pocket knife, as shown and described.

DESCRIPTION

FIG. 1 is a perspective view of a pocket knife according to our new design;
FIG. 2 is another perspective view of thereof;
FIG. 3 is a left side elevation view thereof;
FIG. 4 is a right side elevation view thereof;
FIG. 5 is a front elevation view thereof;
FIG. 6 is a rear elevation view thereof;
FIG. 7 is a top elevation view thereof; and,
FIG. 8 is a bottom plan view thereof.
The dash-dash broken lines showing in the views illustrate unclaimed portions of the pocket knife and form no part of the claimed design.

1 Claim, 5 Drawing Sheets



(56)

References Cited

U.S. PATENT DOCUMENTS

D505,057 S * 5/2005 Ralph D8/99
D517,892 S 3/2006 Galyean
D565,918 S 4/2008 Onion
D575,614 S * 8/2008 Galyean D8/99
D583,643 S 12/2008 Ping
D588,433 S 3/2009 van Deursen
D593,838 S * 6/2009 Williams D8/99
D605,022 S * 12/2009 Noraker D8/100
D634,174 S * 3/2011 Ryan D8/99
D653,520 S 2/2012 Chang
D768,459 S * 10/2016 Yuhuan D8/99
2005/0172497 A1 * 8/2005 Linn B26B 1/02
30/161

OTHER PUBLICATIONS

Pickpocket Alpha—Titanium Bottle Opener/Pocketclip [online]
[retrieved Jan. 5, 2017]. Retrieved from the Internet: <URL: <https://www.pangea-designs.com/ProductDetails.asp?ProductCode=PP-alpha>>. 2
pages.

* cited by examiner

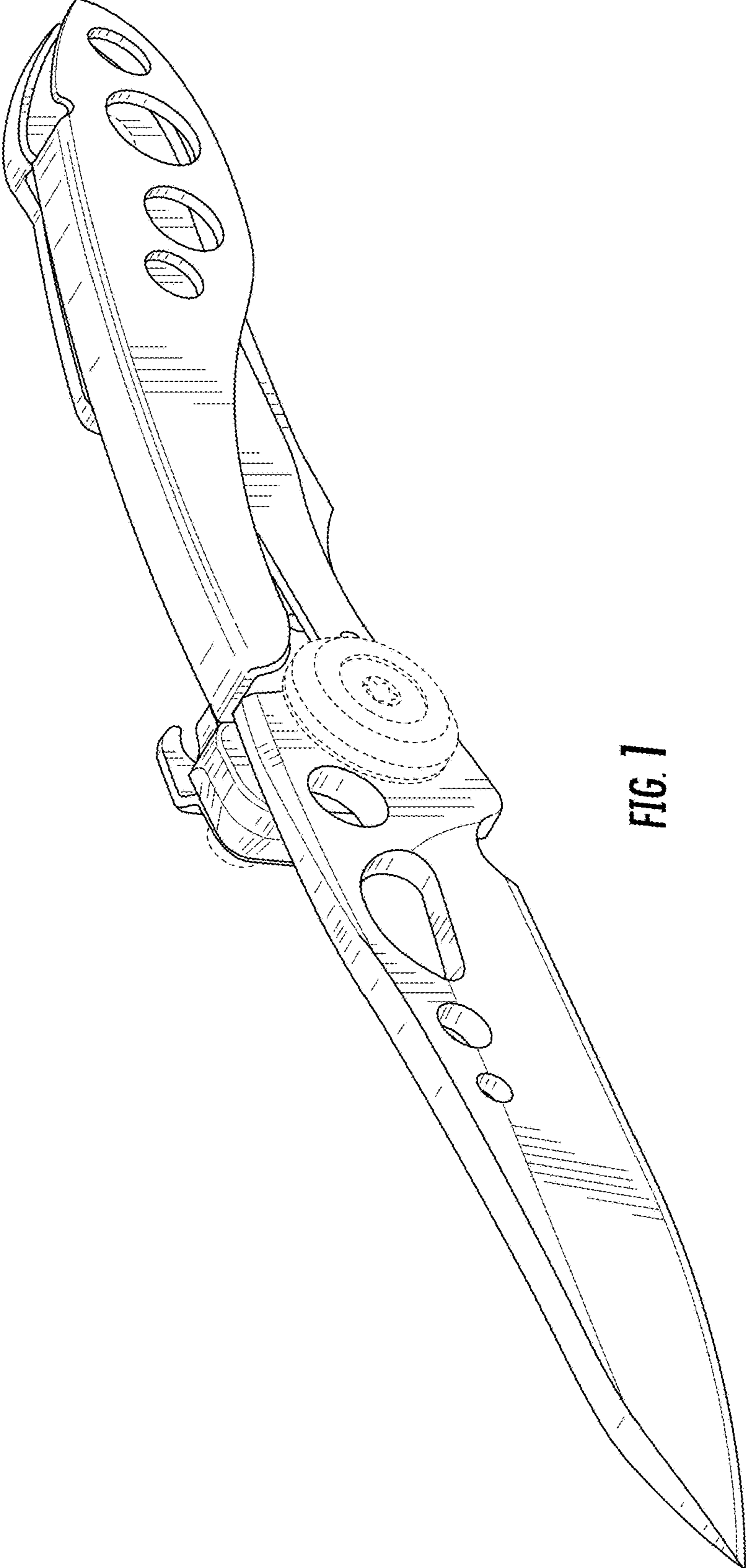


FIG. 1

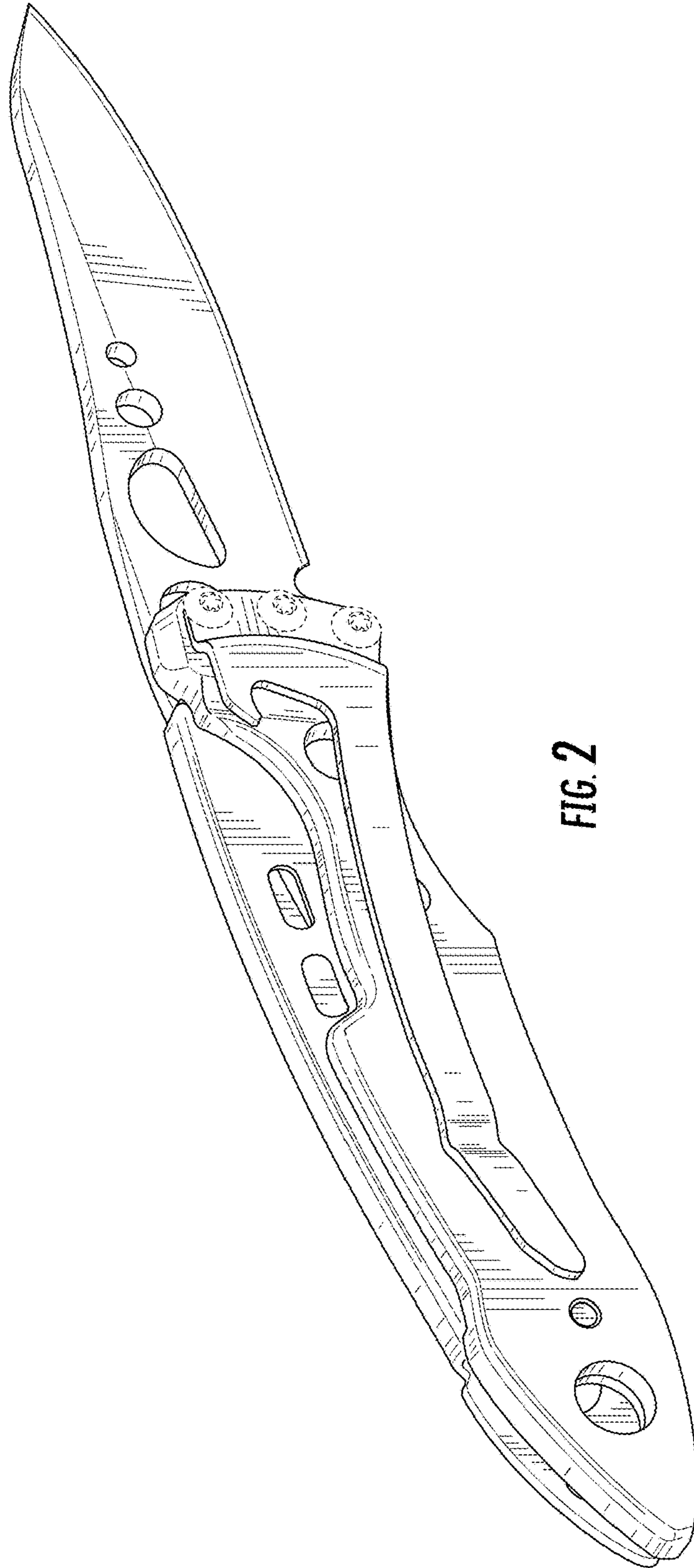


FIG. 2

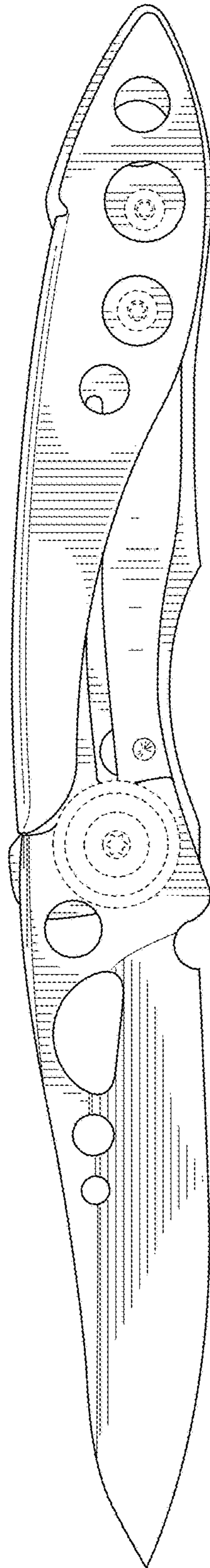


FIG. 3

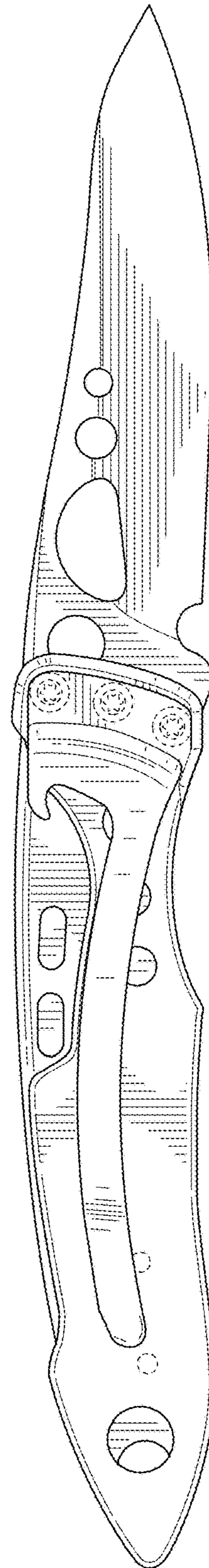


FIG. 4

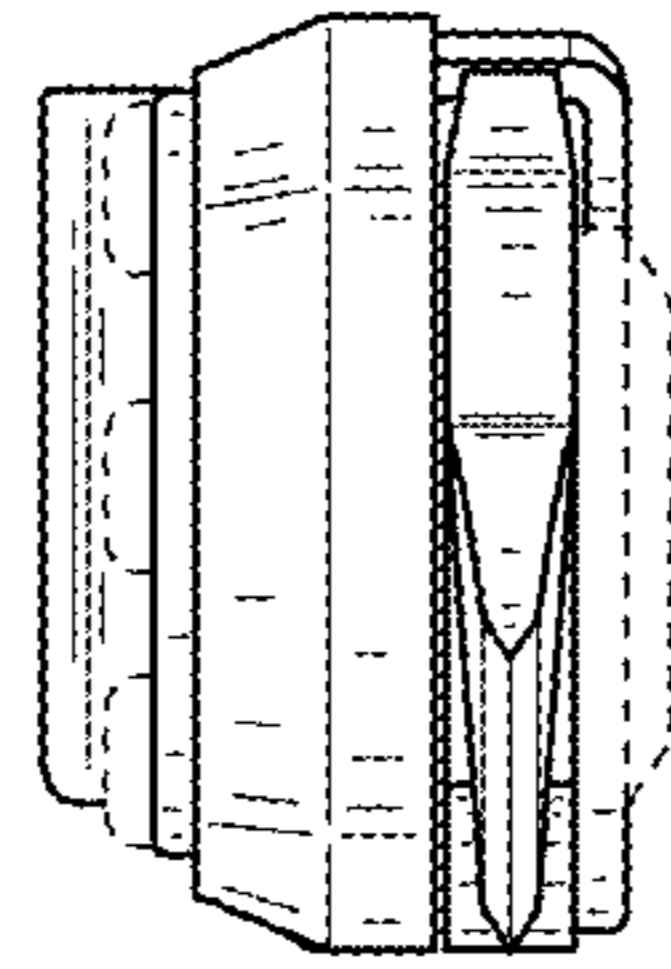


FIG. 5

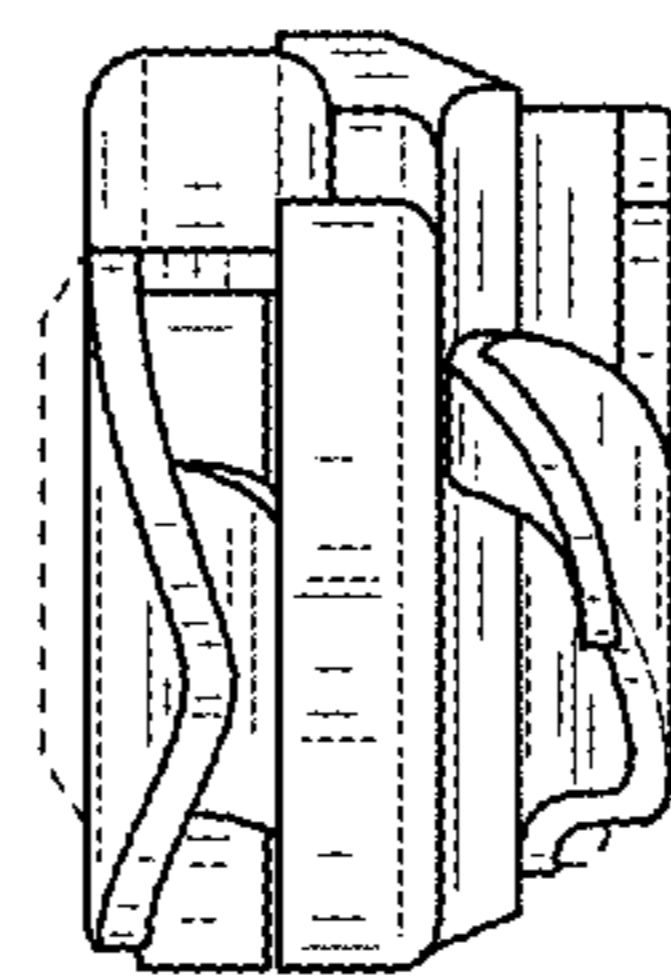


FIG. 6

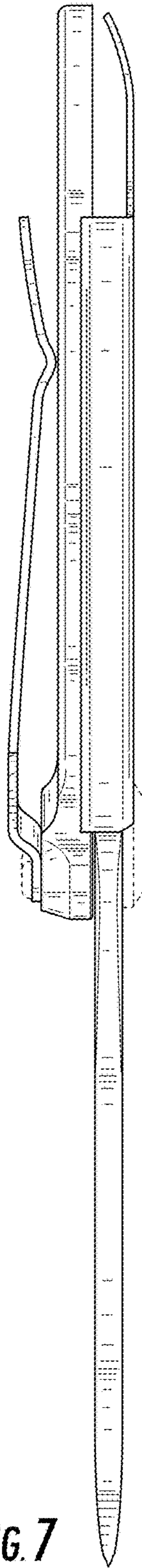


FIG. 7

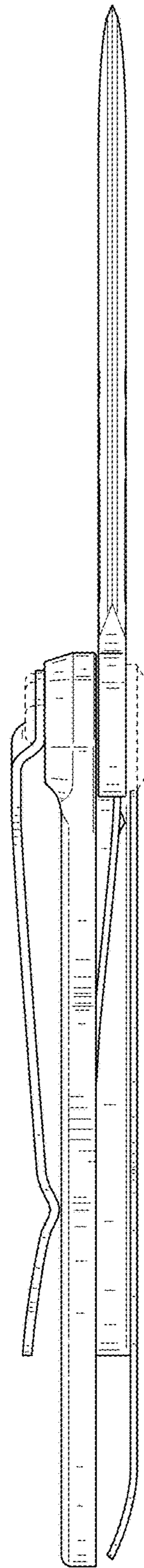


FIG. 8

UNITED STATES PATENT AND TRADEMARK OFFICE
CERTIFICATE OF CORRECTION

PATENT NO. : D857,474 S
APPLICATION NO. : 29/676481
DATED : August 27, 2019
INVENTOR(S) : Lazenby et al.

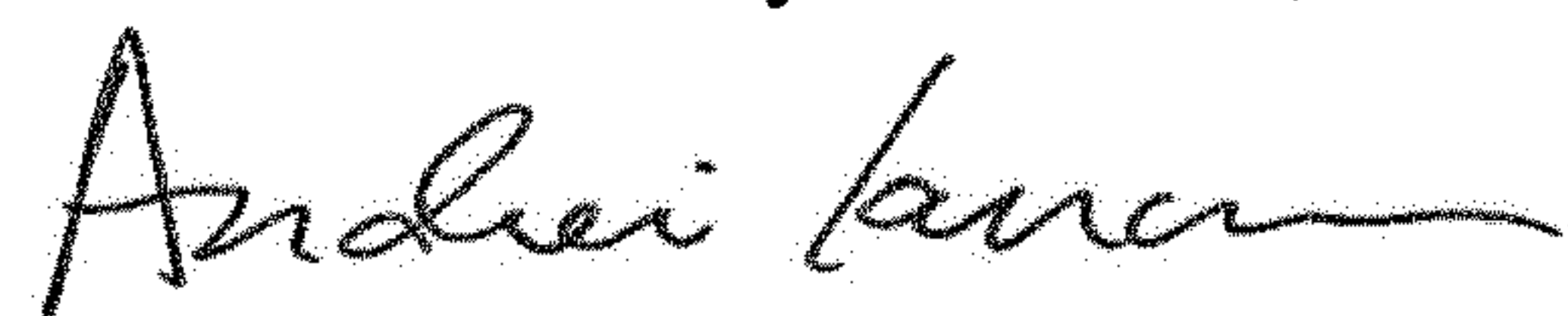
Page 1 of 1

It is certified that error appears in the above-identified patent and that said Letters Patent is hereby corrected as shown below:

On the Title Page

Item (71) Applicant: "**LEATHERMAN TOOL GROUP. INC.**" should read
--LEATHERMAN TOOL GROUP, INC.--.

Signed and Sealed this
Seventeenth Day of March, 2020



Andrei Iancu
Director of the United States Patent and Trademark Office