



US00D857472S

(12) **United States Design Patent** (10) **Patent No.:** **US D857,472 S**  
**Luescher et al.** (45) **Date of Patent:** **\*\* Aug. 27, 2019**

(54) **POWER TOOL COUPLING PORTION**  
(71) Applicant: **Robert Bosch GmbH**, Stuttgart (DE)  
(72) Inventors: **Bruno Luescher**, Zofingen (CH);  
**Andreas Zurbrugg**,  
Lohn-Ammansegg (CH); **Laurent**  
**Quebatte**, Visp (CH)  
(73) Assignee: **Robert Bosch GmbH**, Stuttgart (DE)  
(\*\*) Term: **15 Years**  
(21) Appl. No.: **29/611,818**  
(22) Filed: **Jul. 26, 2017**

(30) **Foreign Application Priority Data**  
Feb. 1, 2017 (EM) ..... 003734664  
(51) **LOC (12) Cl.** ..... **08-05**  
(52) **U.S. Cl.**  
USPC ..... **D8/70**  
(58) **Field of Classification Search**  
USPC ..... D8/86, 70; D15/138, 139, 140; 403/331,  
403/381; 407/9, 33, 34, 42, 54, 63, 110,  
407/113, 114, 115; 408/119, 224,  
408/226-230  
CPC ..... E23B 51/00; E21B 10/54; E21B 10/55;  
E21B 10/567; E21B 10/5673; E21B  
10/602  
See application file for complete search history.

(56) **References Cited**  
U.S. PATENT DOCUMENTS  
D646,542 S \* 10/2011 Wackwitz ..... D8/70  
D665,644 S \* 8/2012 McRoberts ..... D8/70  
D692,741 S \* 11/2013 McRoberts ..... D8/70  
D721,939 S \* 2/2015 McRoberts ..... D8/70  
D732,364 S \* 6/2015 Rinaldis ..... D8/70

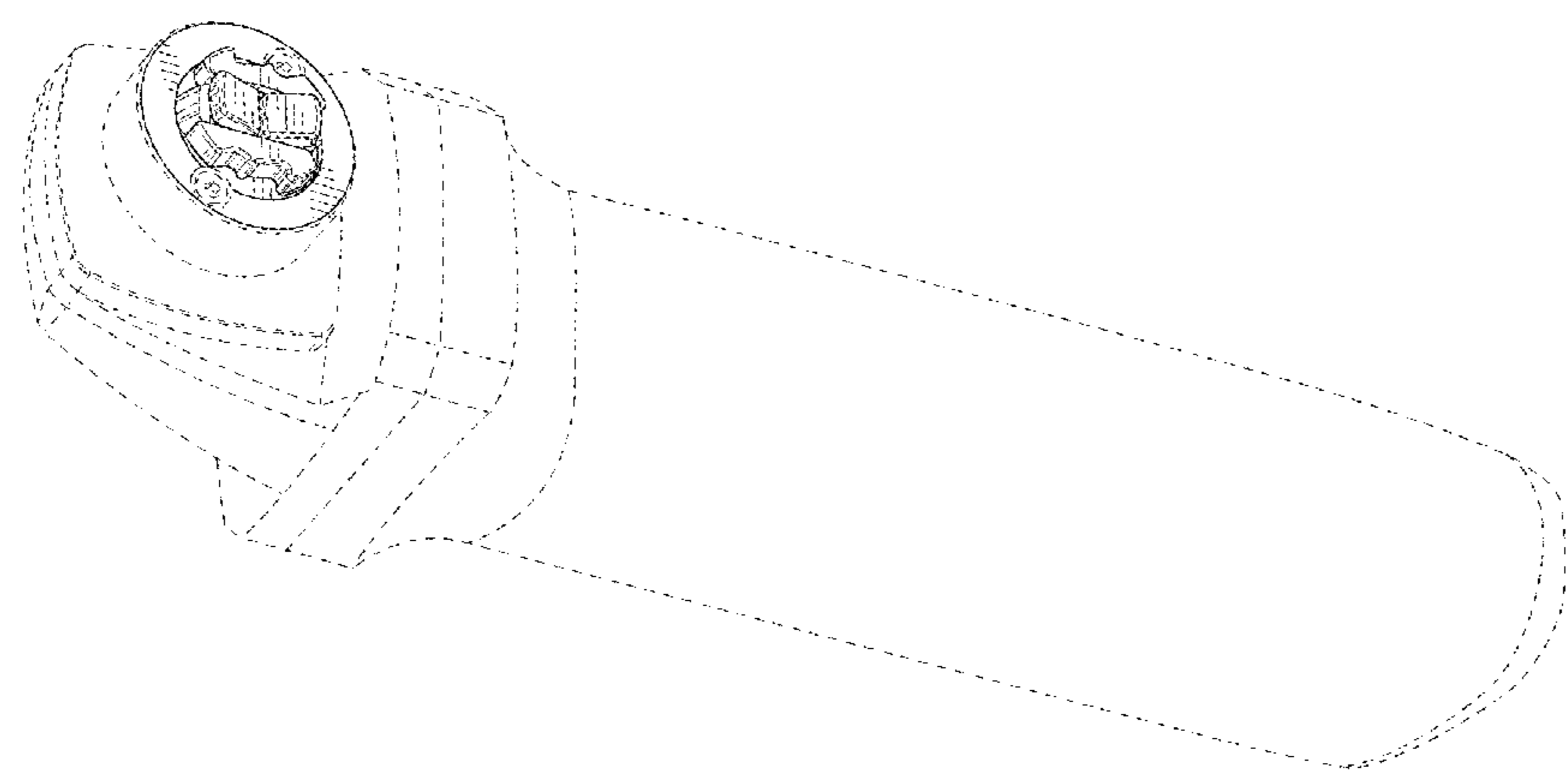
D738,177 S \* 9/2015 Finnas ..... D8/70  
D738,178 S \* 9/2015 Eisinger ..... D8/70  
D780,548 S \* 3/2017 Pomeroy ..... D8/70  
D798,685 S \* 10/2017 Matsui ..... D8/70  
D798,922 S \* 10/2017 Frota de Souza Filho .. D15/139  
D831,459 S \* 10/2018 Cartwright ..... D8/70  
D839,699 S \* 2/2019 Luescher ..... D8/20

\* cited by examiner  
*Primary Examiner* — Austin Murphy  
(74) *Attorney, Agent, or Firm* — Maginot, Moore & Beck  
LLP

(57) **CLAIM**  
The ornamental design for a power tool coupling portion, as  
shown and described.

**DESCRIPTION**  
Cross reference is made to copending U.S. design patent  
application Ser. No. 29/611,819 entitled “Power Tool Acces-  
sory” by Luescher et al., filed on Jul. 26, 2017.  
FIG. 1 is a perspective view of a power tool coupling portion  
showing our new design;  
FIG. 2 is a front elevational view of the power tool coupling  
portion of FIG. 1;  
FIG. 3 is a rear elevational view of the power tool coupling  
portion of FIG. 1;  
FIG. 4 is a right side elevational view of the power tool  
coupling portion of FIG. 1;  
FIG. 5 is a left side elevational view of the power tool  
coupling portion of FIG. 1;  
FIG. 6 is a top plan view of the power tool coupling portion  
of FIG. 1; and,  
FIG. 7 is a bottom plan view of the power tool coupling  
portion of FIG. 1.  
The broken lines shown in the drawings illustrate portions of  
the power tool coupling portion that form no part of the  
claimed design.

**1 Claim, 6 Drawing Sheets**



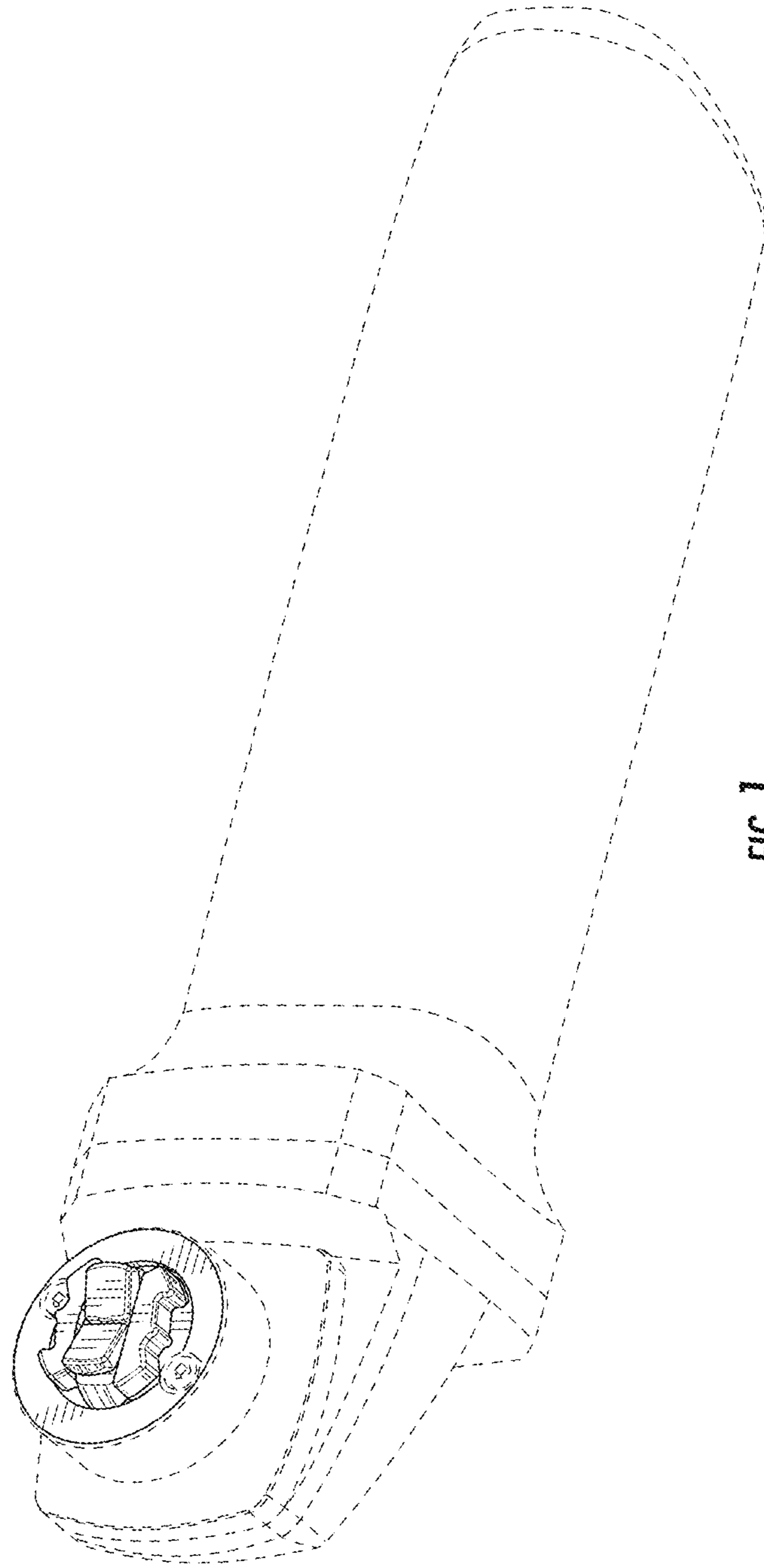


FIG. 1

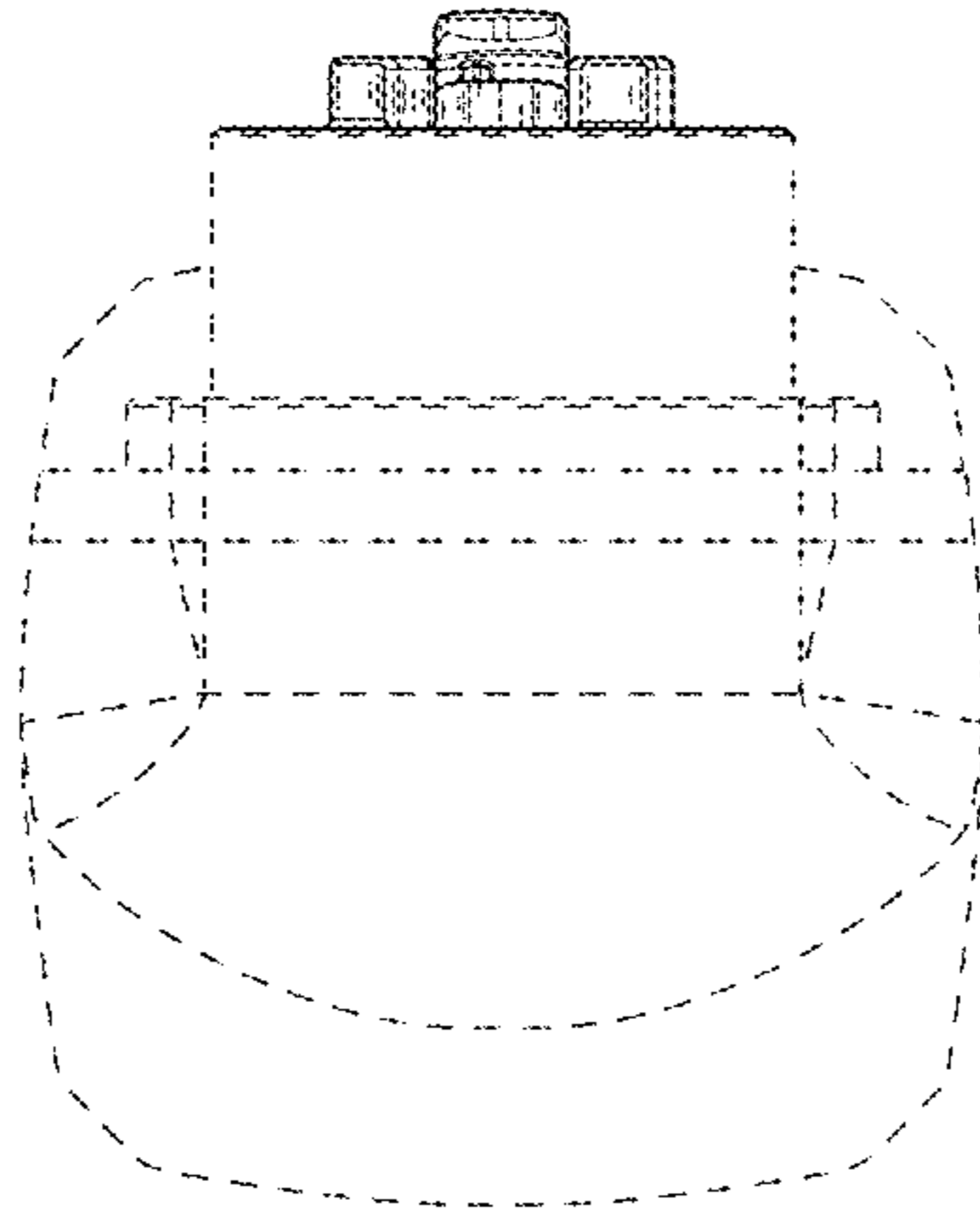


FIG. 2

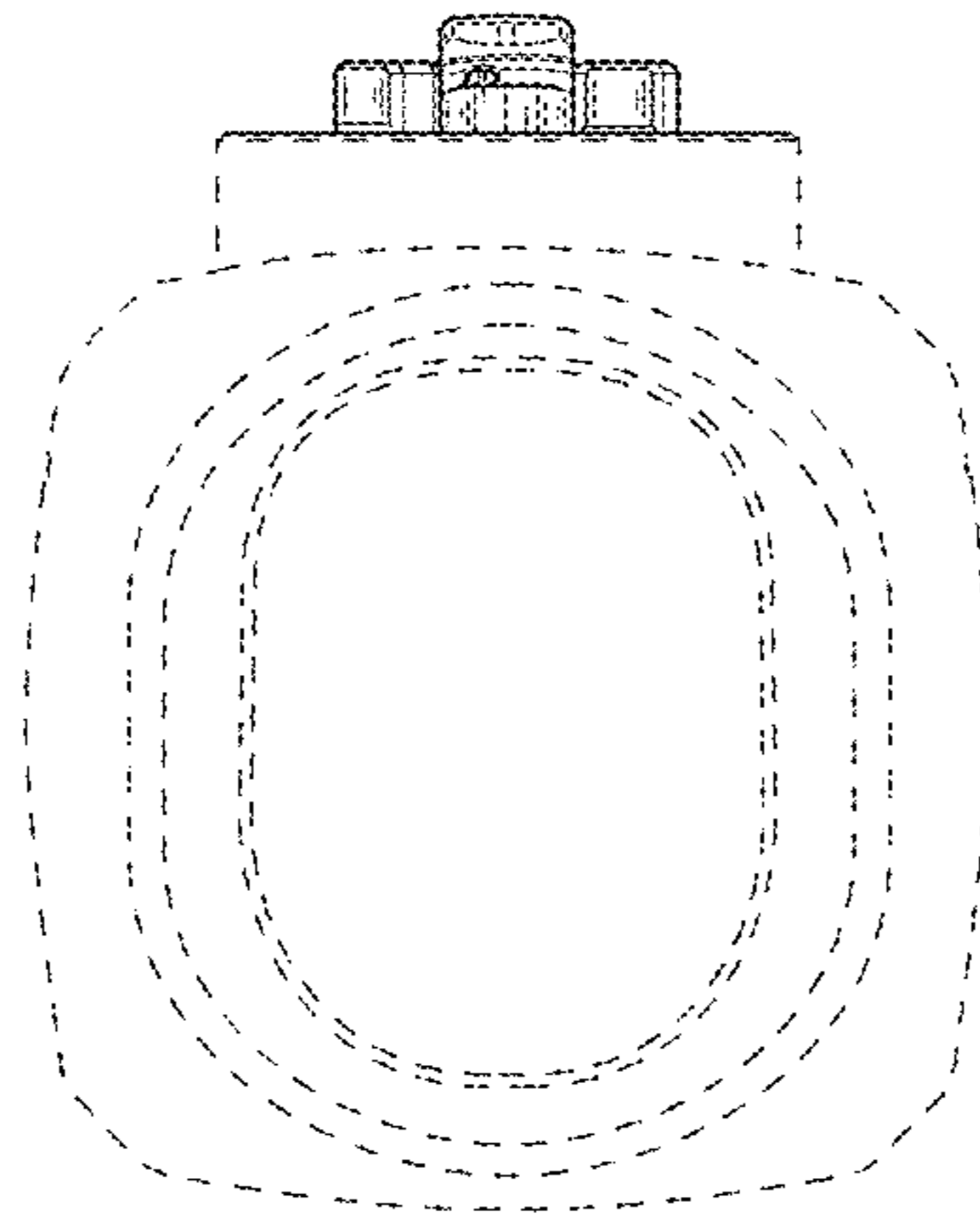


FIG. 3

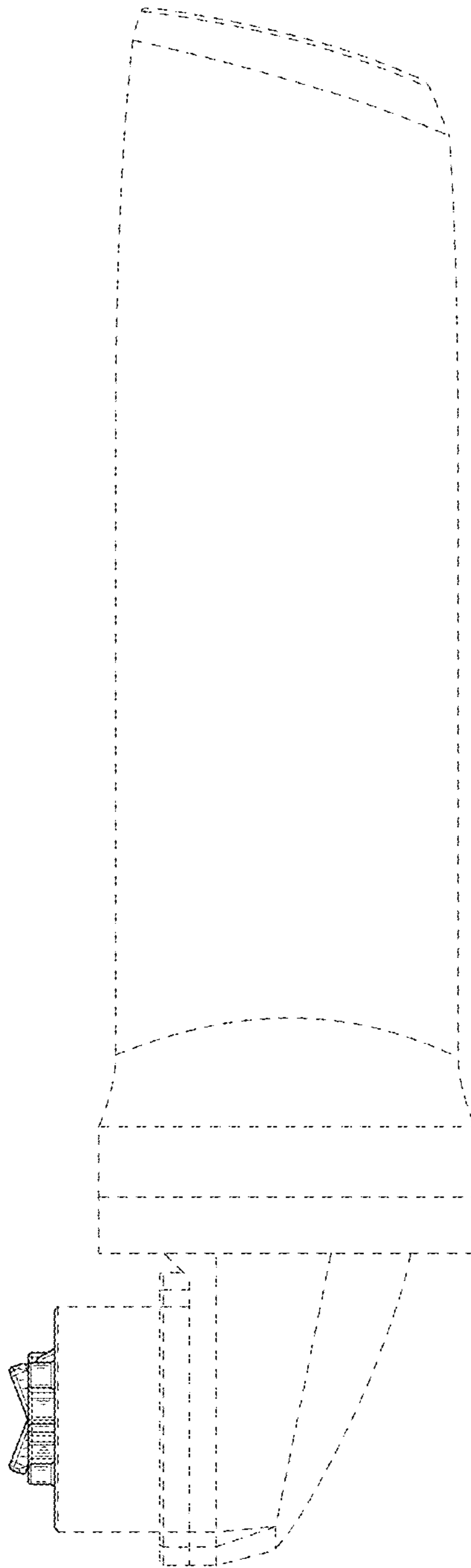


FIG. 4

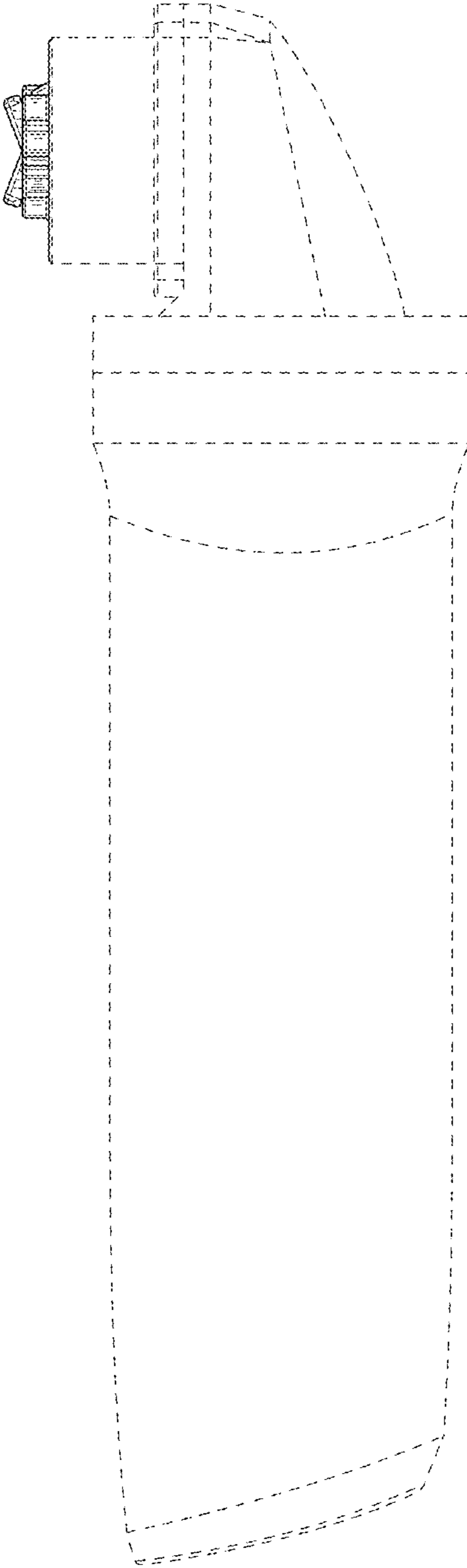


FIG. 5

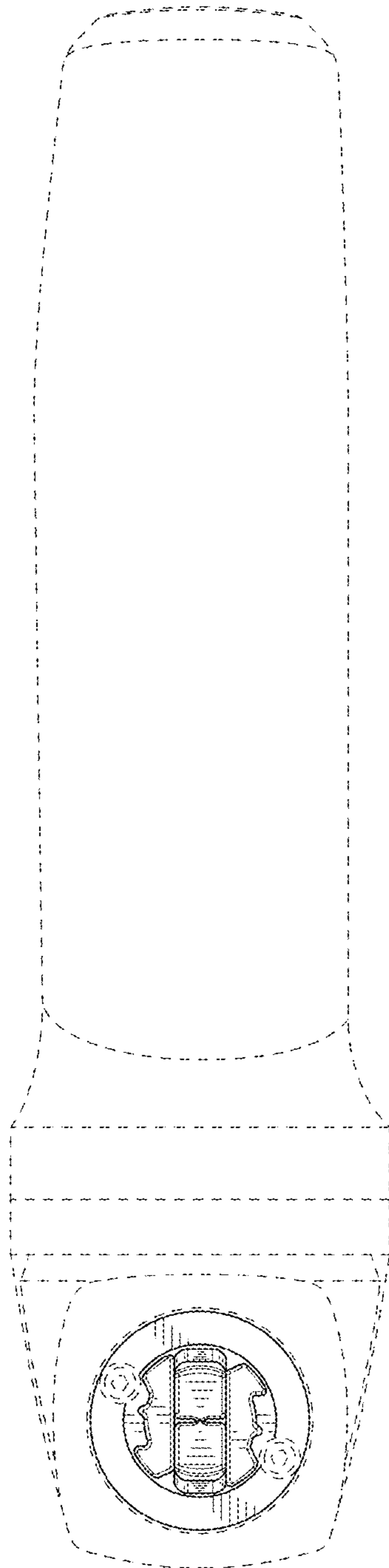


FIG. 6

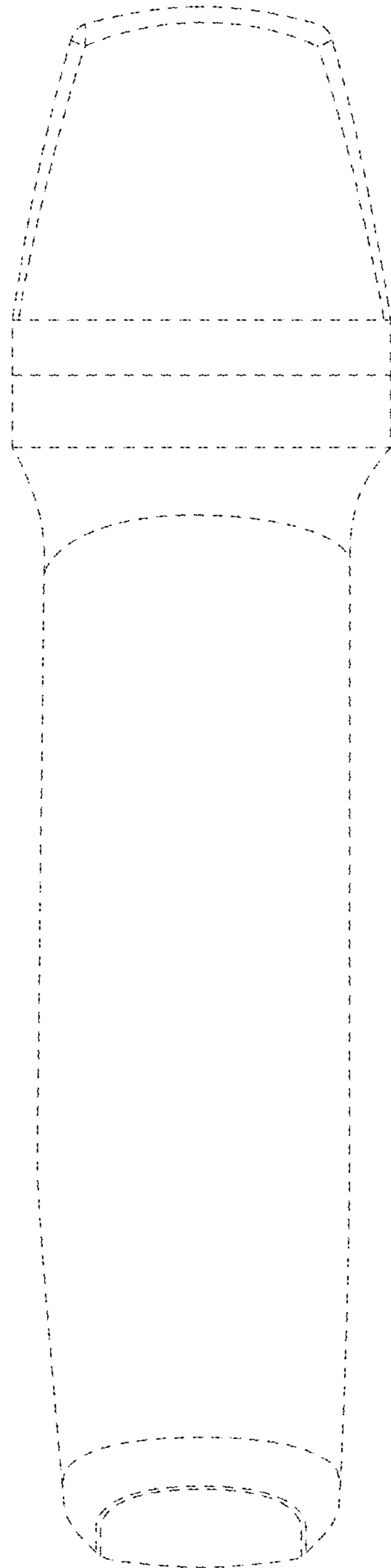


FIG. 7