



US00D857471S

(12) **United States Design Patent**
Wang

(10) **Patent No.:** **US D857,471 S**

(45) **Date of Patent:** **** Aug. 27, 2019**

(54) **HOSE CLAMP PLIERS**

(71) Applicant: **Ching-Shu Wang**, Taichung (TW)

(72) Inventor: **Ching-Shu Wang**, Taichung (TW)

(**) Term: **15 Years**

(21) Appl. No.: **29/629,923**

(22) Filed: **Dec. 18, 2017**

(51) **LOC (12) Cl.** **08-05**

(52) **U.S. Cl.**
USPC **D8/51**

(58) **Field of Classification Search**
USPC D8/4, 5, 51-60, 105
CPC B25B 25/005
See application file for complete search history.

(56) **References Cited**

U.S. PATENT DOCUMENTS

2,452,857	A *	11/1948	Mesaros	B25B 27/12 29/223
3,813,750	A *	6/1974	Kerr	B25B 27/205 29/229
D256,544	S *	8/1980	Hintze	29/256
D288,655	S *	3/1987	Hamatani	D8/51
D363,831	S *	11/1995	Mueller	D8/387
D369,962	S *	5/1996	Moore	D8/51
D373,942	S *	9/1996	Sears	D8/51
6,128,975	A *	10/2000	Schley	B25B 7/12 29/229
6,139,077	A *	10/2000	Molzan, II	E04D 13/0765 15/236.04
6,634,258	B2 *	10/2003	Pool	B25B 7/12 29/237
6,736,031	B1 *	5/2004	Kang	B25B 7/12 81/322
7,313,984	B1 *	1/2008	Eggert	B25B 25/005 29/225

2002/0178869	A1 *	12/2002	Pool	B25B 7/12 81/9.3
2007/0056407	A1 *	3/2007	Thayer	B25B 1/103 81/9.3
2007/0227309	A1 *	10/2007	Teeters	B25B 15/02 81/9.3
2009/0199681	A1 *	8/2009	Thayer	B25B 1/103 81/9.3
2012/0297603	A1 *	11/2012	Harrison	B25B 7/02 29/426.6
2013/0228046	A1 *	9/2013	Wu	B25B 7/02 81/9.3

* cited by examiner

Primary Examiner — Deanna L Pratt

(74) *Attorney, Agent, or Firm* — Muncy, Geissler, Olds & Lowe, P.C.

(57) **CLAIM**

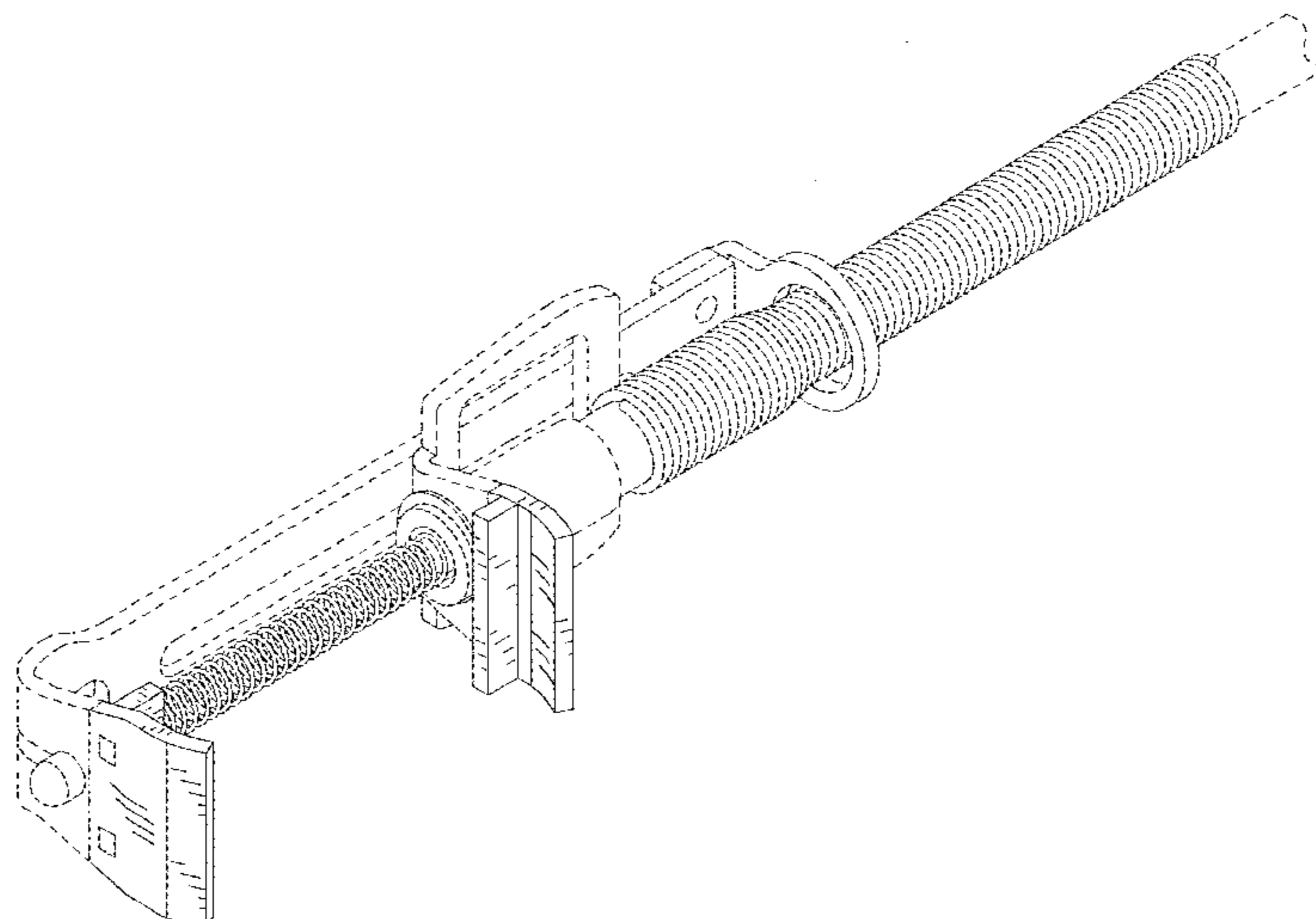
I claim the ornamental design for a hose clamp pliers, as shown and described.

DESCRIPTION

FIG. 1 is a right, front, and top perspective view of a hose clamp pliers showing my new design;
 FIG. 2 is a front elevational view thereof;
 FIG. 3 is a rear elevational view thereof;
 FIG. 4 is a left side view thereof;
 FIG. 5 is a right side view thereof;
 FIG. 6 is a top plan view thereof;
 FIG. 7 is a bottom plan view thereof; and,
 FIG. 8 is a left, front, and bottom perspective view.

The broken lines in the drawings illustrate portions of the hose clamp pliers which form no part of the claimed design. The dot-dashed line in the figures defines the boundary of claimed and unclaimed objects, and the dot-dashed line forms no part of the claimed design.

1 Claim, 6 Drawing Sheets



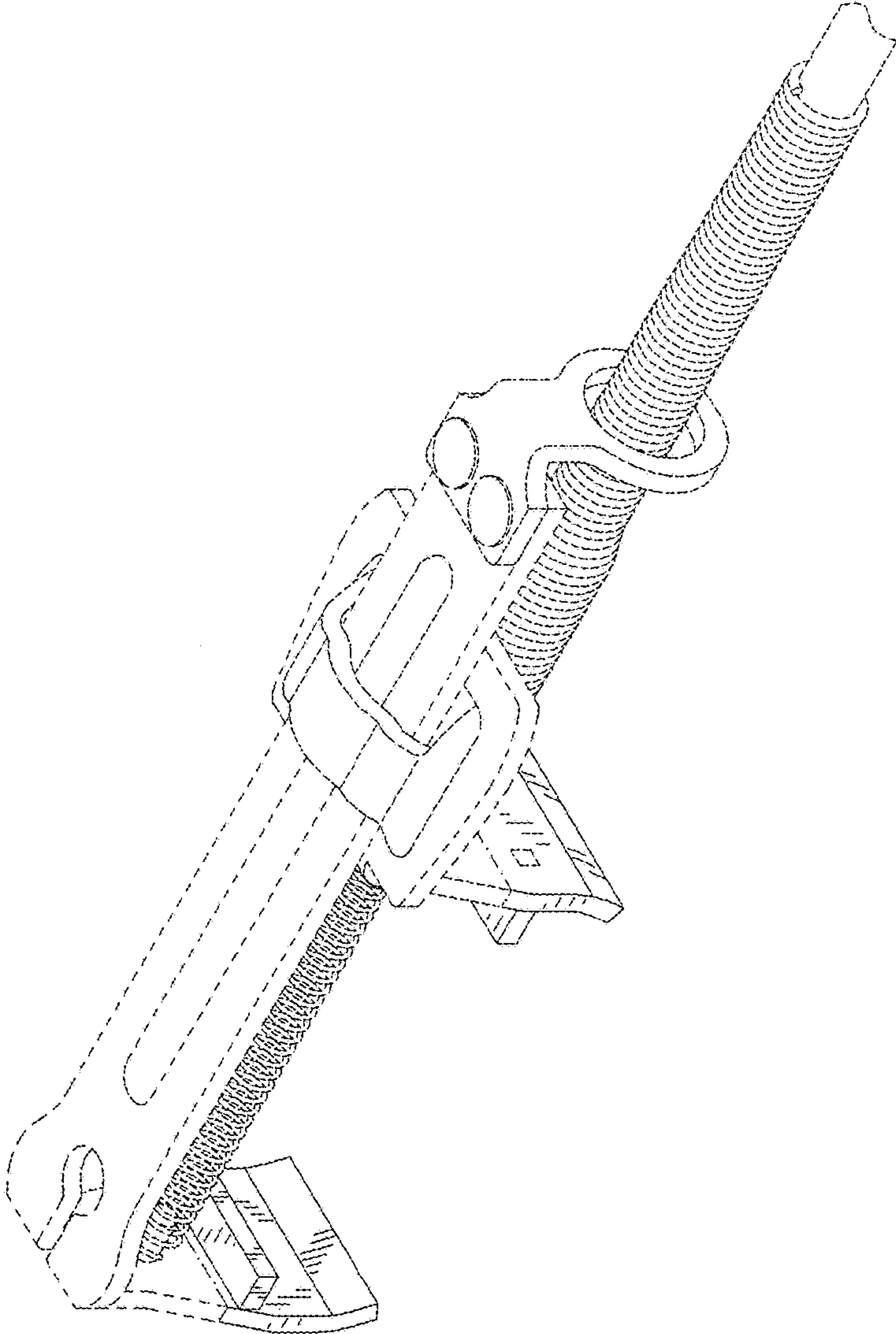


FIG. 1

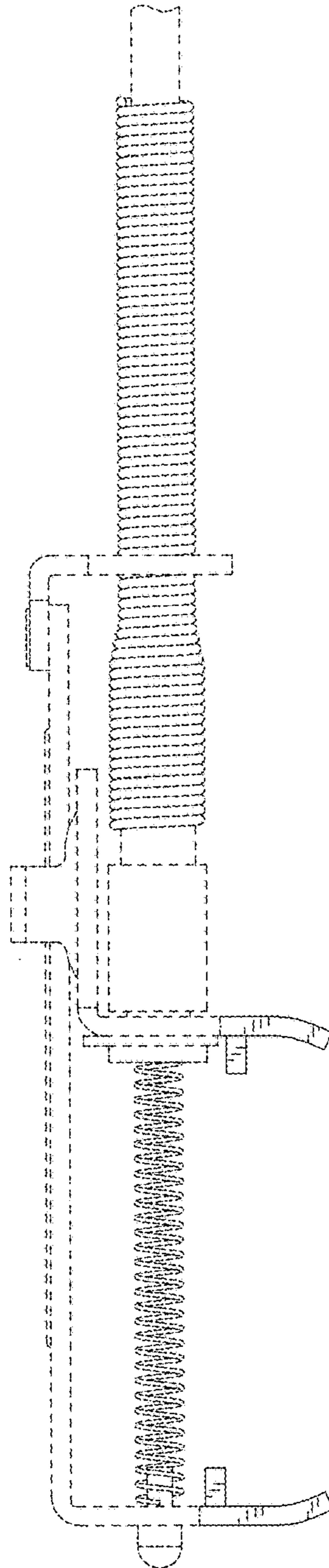


FIG. 2

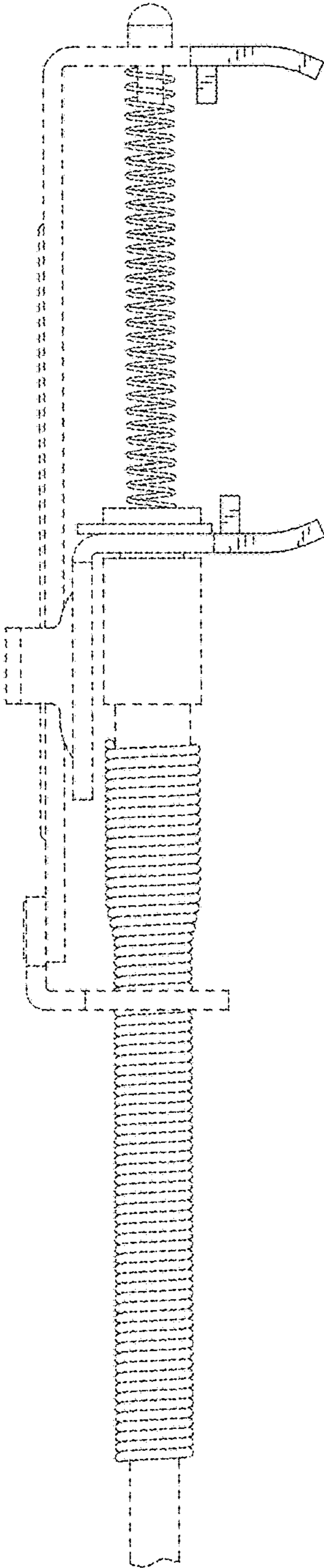


FIG. 3

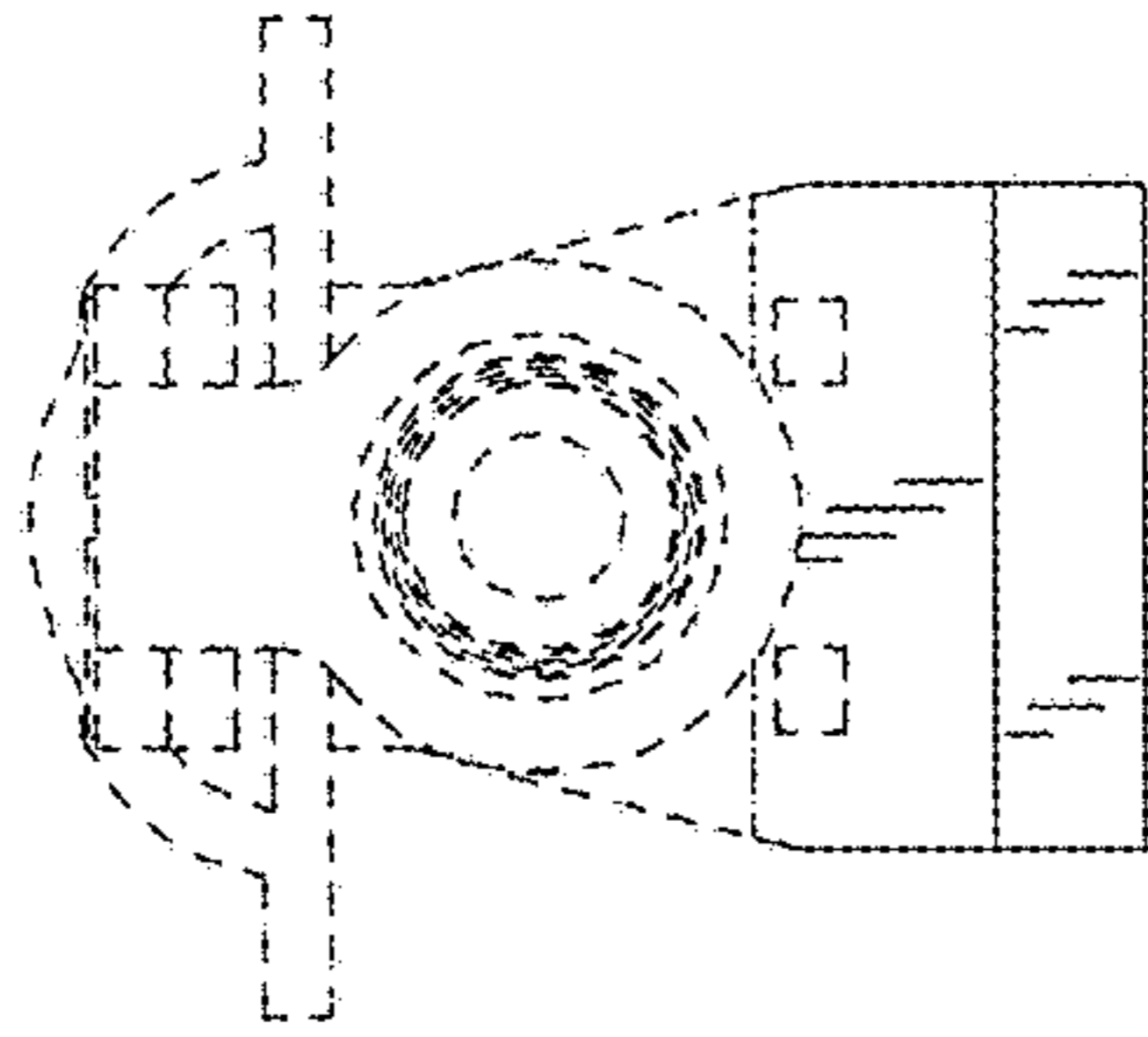


FIG. 5

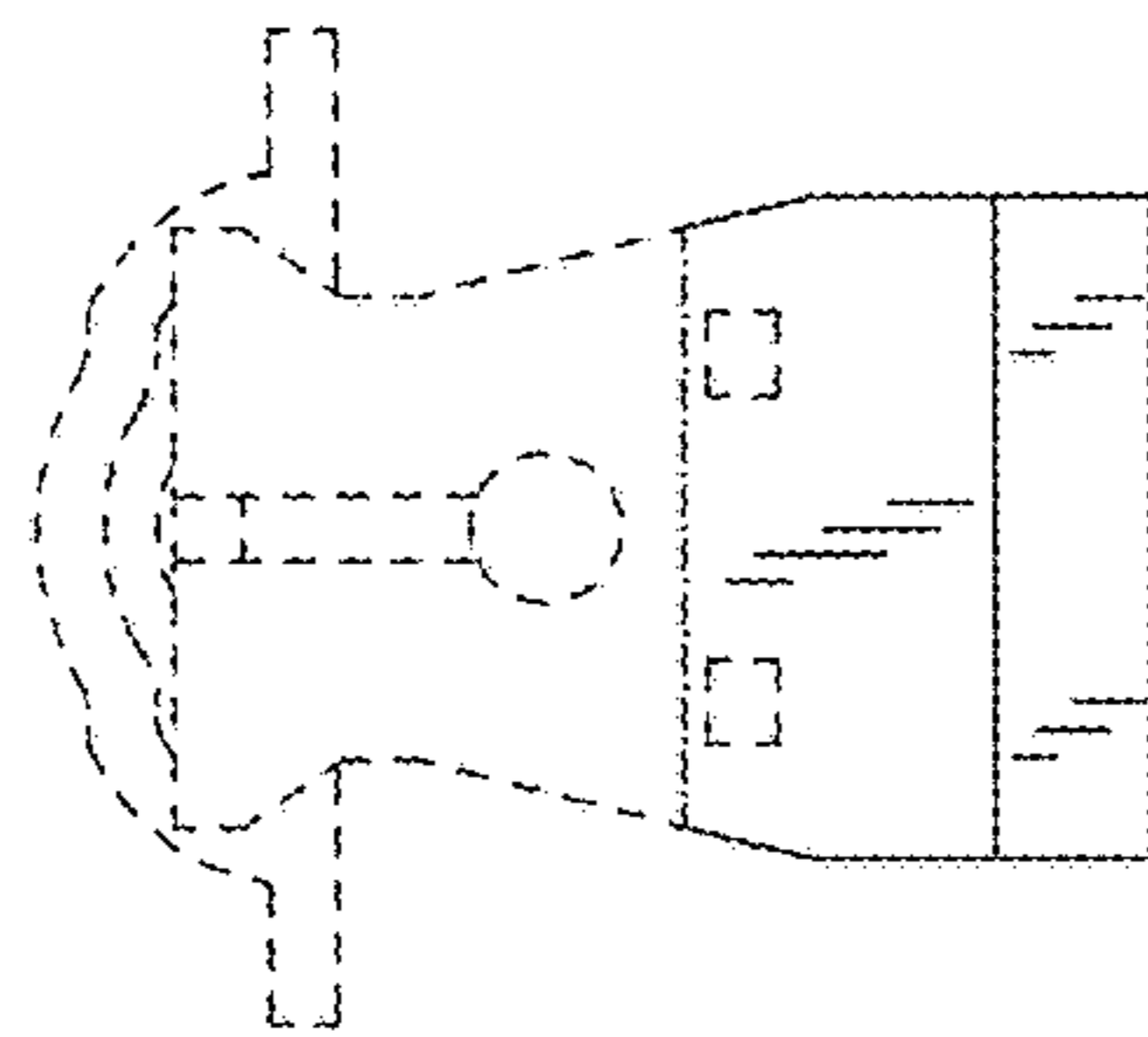


FIG. 4

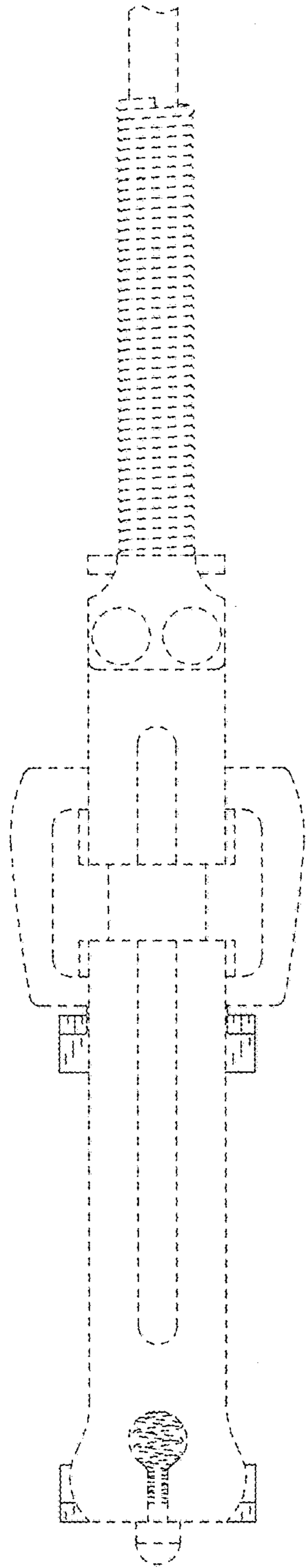


FIG. 6

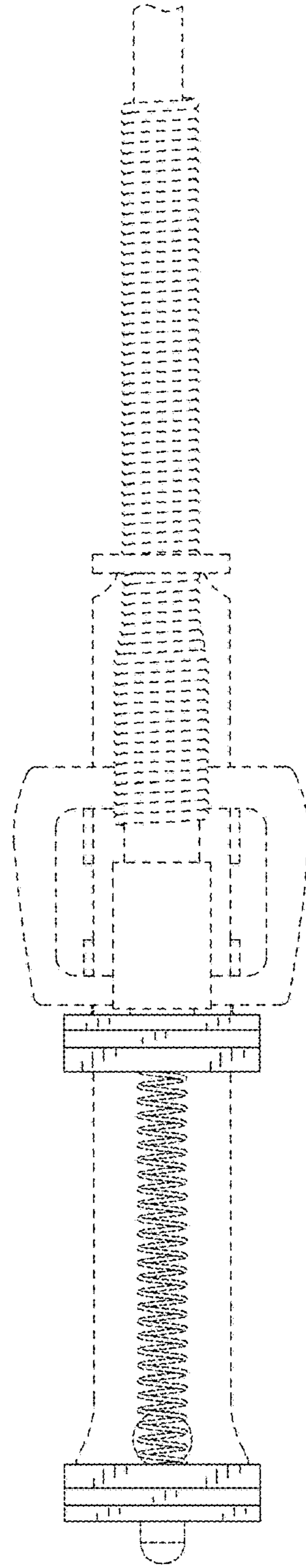


FIG. 7

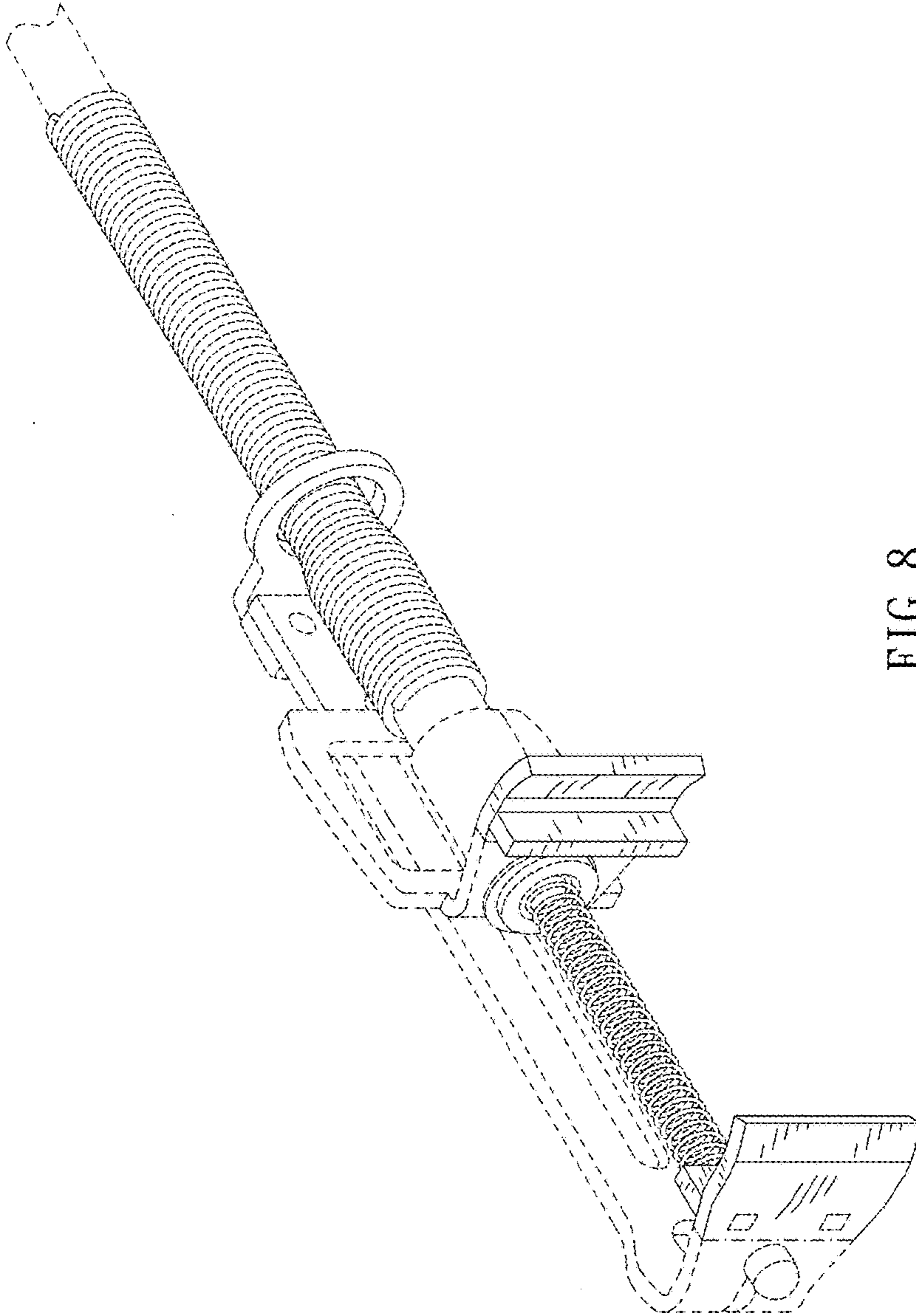


FIG. 8