

US00D857470S

(12) **United States Design Patent** (10) **Patent No.:** **US D857,470 S**
Corcoran et al. (45) **Date of Patent:** **** Aug. 27, 2019**

(54) **HAND TOOL**

(71) Applicants: **Kevin L. Corcoran**, Mission Viejo, CA (US); **Jennifer Long**, Lake Forest, CA (US)

(72) Inventors: **Kevin L. Corcoran**, Mission Viejo, CA (US); **Jennifer Long**, Lake Forest, CA (US)

(73) Assignee: **Ellison Educational Equipment, Inc.**, Lake Forest, CA (US)

(**) Term: **15 Years**

(21) Appl. No.: **29/610,575**

(22) Filed: **Jul. 13, 2017**

(51) **LOC (12) Cl.** **08-05**

(52) **U.S. Cl.**
USPC **D8/14**

(58) **Field of Classification Search**
USPC D8/14, 45, 98, 105; D24/133; D28/57; D32/46; D7/688
CPC B44D 5/00
See application file for complete search history.

(56) **References Cited**

U.S. PATENT DOCUMENTS

D280,357 S * 9/1985 Scheller 224/240
5,205,007 A * 4/1993 Goldstein B26B 13/00
226/46

D335,252 S * 5/1993 DeJaynes D8/98
D345,825 S * 4/1994 Arnold D28/65
5,400,452 A * 3/1995 Goldstein B26B 13/00
30/135
D795,663 S * 8/2017 Calman D8/14
D812,295 S * 3/2018 Staab D28/7
2008/0116234 A1* 5/2008 Mueller D02G 1/00
223/46

* cited by examiner

Primary Examiner — Philip S Hyder

(74) *Attorney, Agent, or Firm* — Morland C. Fischer

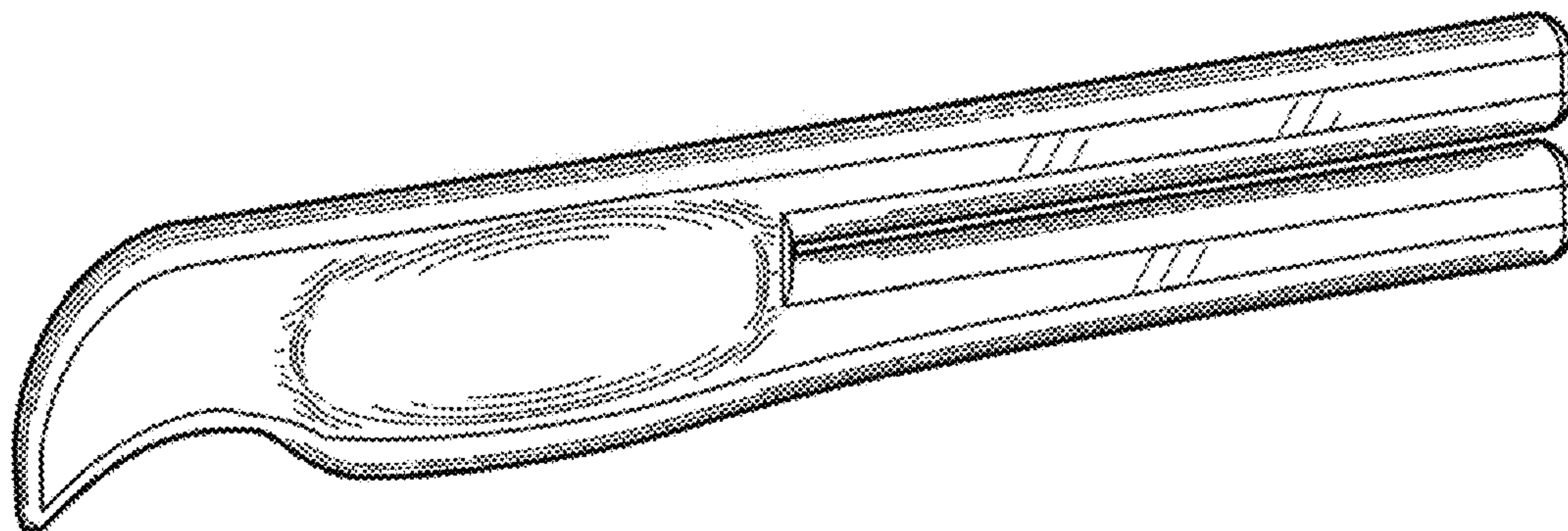
(57) **CLAIM**

The ornamental design for a hand tool, as shown and described.

DESCRIPTION

FIG. 1 is a perspective view showing the top, front and right side of a hand tool which forms our new design; FIG. 2 is a front elevational view thereof; FIG. 3 is a rear elevational view thereof; FIG. 4 is a top plan view thereof; FIG. 5 is a bottom plan view thereof; FIG. 6 is a left side elevational view thereof; and, FIG. 7 is a right side elevational view thereof.

1 Claim, 4 Drawing Sheets



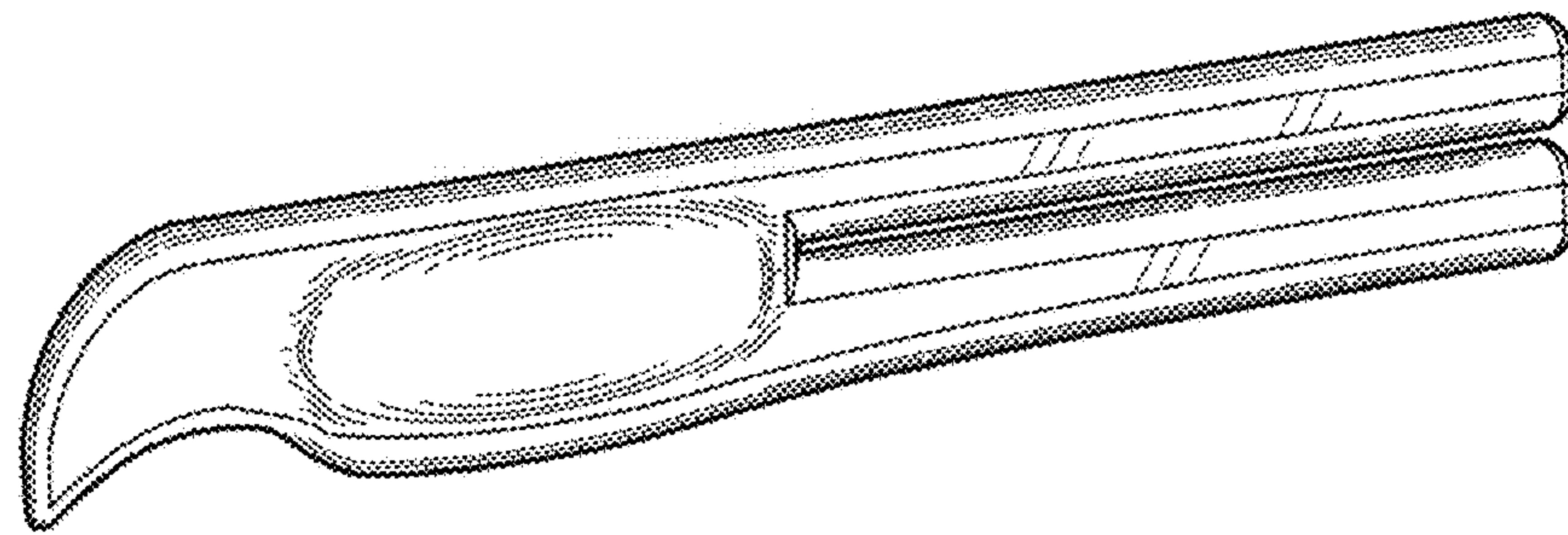


FIG 1

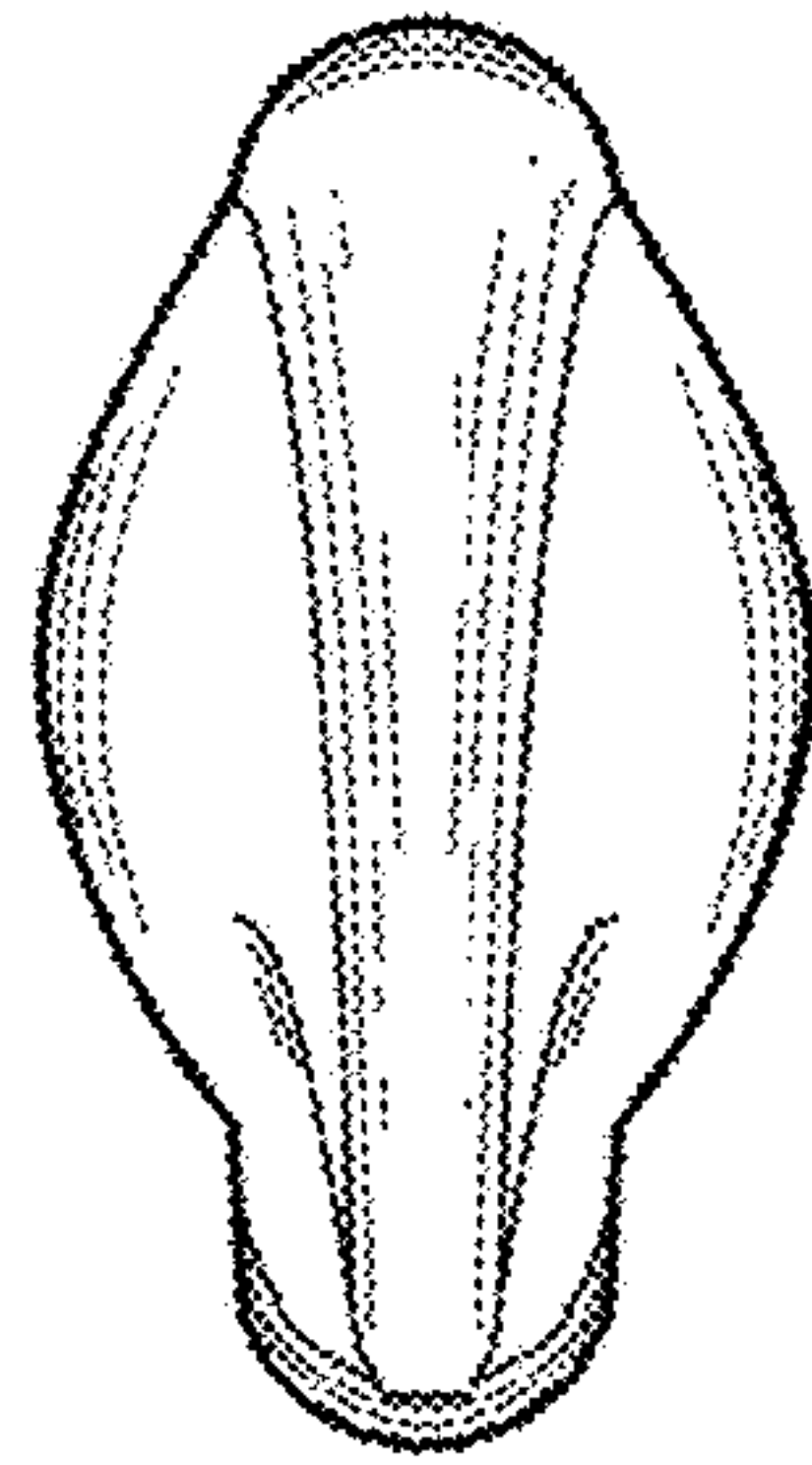


FIG 2

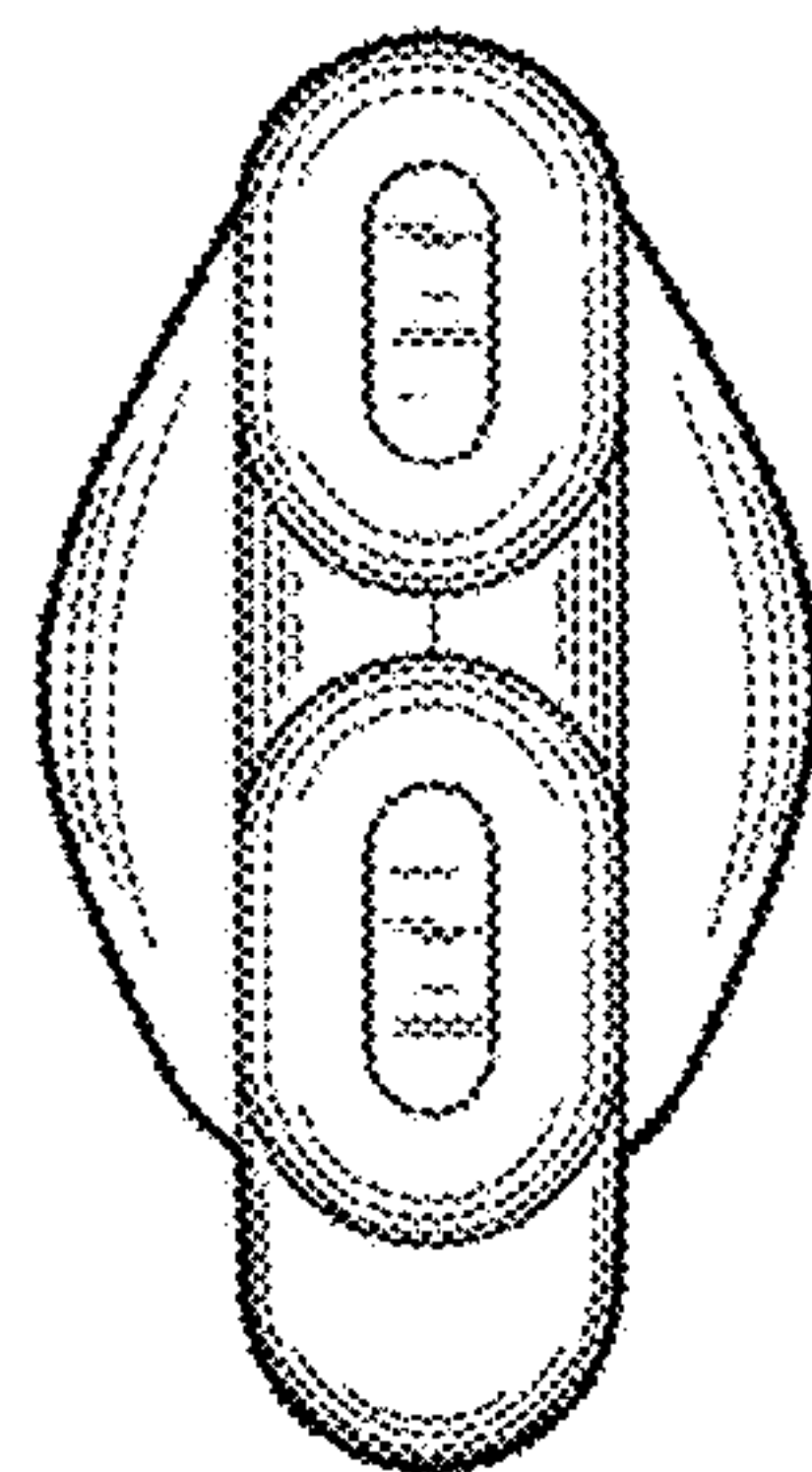


FIG 3

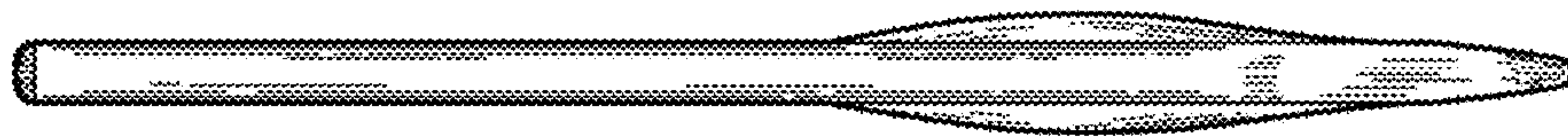


FIG 4

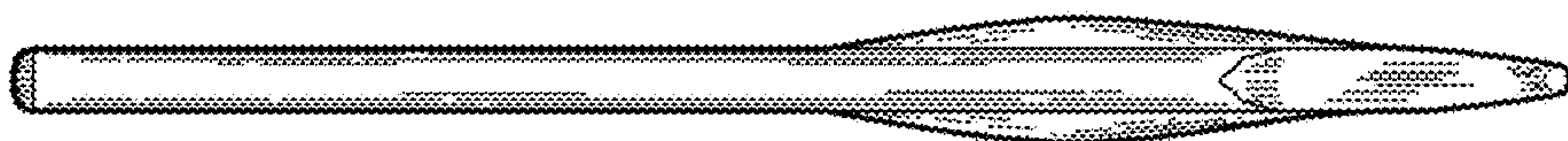


FIG 5

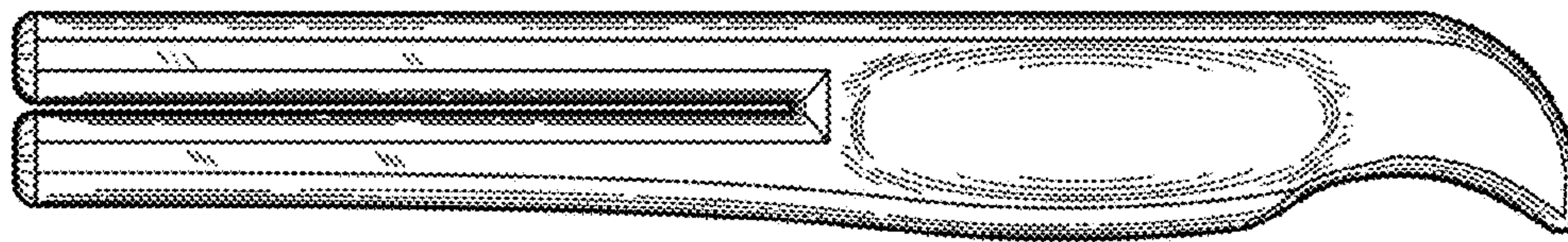


FIG 6

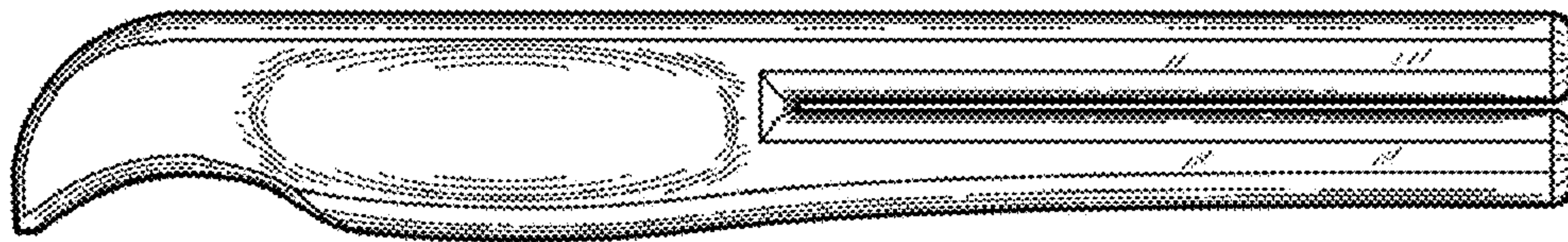


FIG 7