



US00D857467S

(12) **United States Design Patent** (10) **Patent No.:** **US D857,467 S**
Joseph (45) **Date of Patent:** **** Aug. 27, 2019**

(54) **PEELER** 2,986,813 A * 6/1961 De Vault A47J 17/02
 30/280
 (71) Applicant: **Joseph Joseph Ltd.**, London (GB) D446,697 S * 8/2001 Bodum D7/695
 7,721,449 B2 * 5/2010 Rasa A47J 17/02
 (72) Inventor: **Anthony Joseph**, London (GB) 30/279.6
 D674,253 S * 1/2013 Spiegel D7/695
 (73) Assignee: **Joseph Joseph Ltd.**, London (GB) 2005/0278957 A1 * 12/2005 McCullough B26B 27/002
 30/279.6

(**) Term: **15 Years**

* cited by examiner

(21) Appl. No.: **29/633,806**

Primary Examiner — Terry A Wallace

(22) Filed: **Jan. 16, 2018**

(74) *Attorney, Agent, or Firm* — Millen, White, Zelano & Branigan, PC

(30) **Foreign Application Priority Data**

Jul. 17, 2017 (EM) 004107217-0001

(51) **LOC (12) Cl.** **07-04**

(52) **U.S. Cl.**
USPC **D7/695**

(58) **Field of Classification Search**
USPC D7/693–696
CPC .. A47J 17/04; A47J 17/00; A47J 17/02; A47J
17/10; A47J 17/06; A47J 17/08; B26D
1/03

See application file for complete search history.

(56) **References Cited**

U.S. PATENT DOCUMENTS

2,274,815 A * 3/1942 Whann A47J 17/02
 30/123.5
 2,645,851 A * 7/1953 Ferrin A47J 17/02
 30/280

(57) **CLAIM**

The ornamental design for a peeler, as shown and described.

DESCRIPTION

FIG. 1 is a front perspective view of the peeler showing my new design.

FIG. 2 is a front view thereof.

FIG. 3 is a back view thereof.

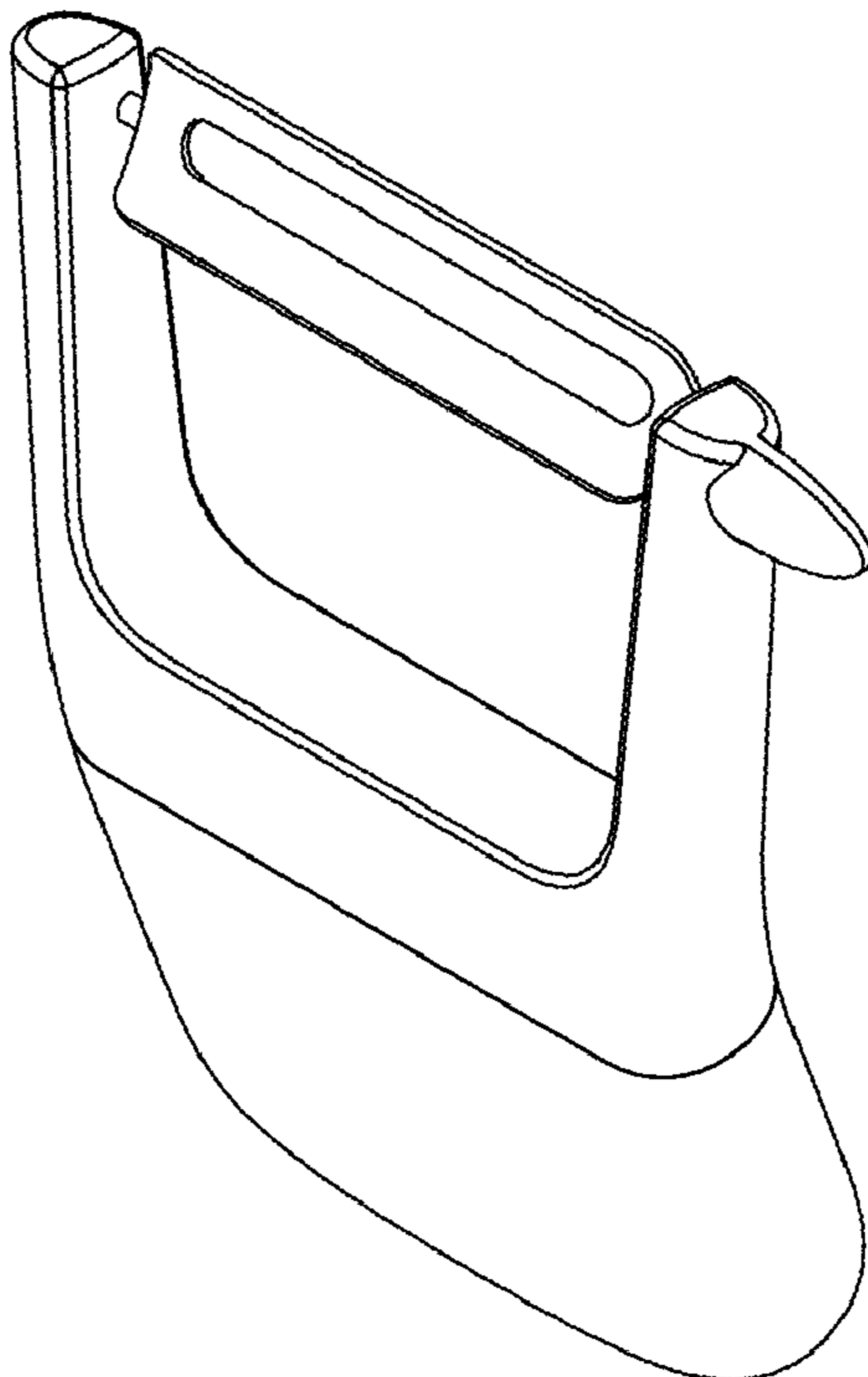
FIG. 4 is a side view thereof.

FIG. 5 is another side view thereof.

FIG. 6 is a top view thereof; and,

FIG. 7 is a bottom view thereof.

1 Claim, 7 Drawing Sheets



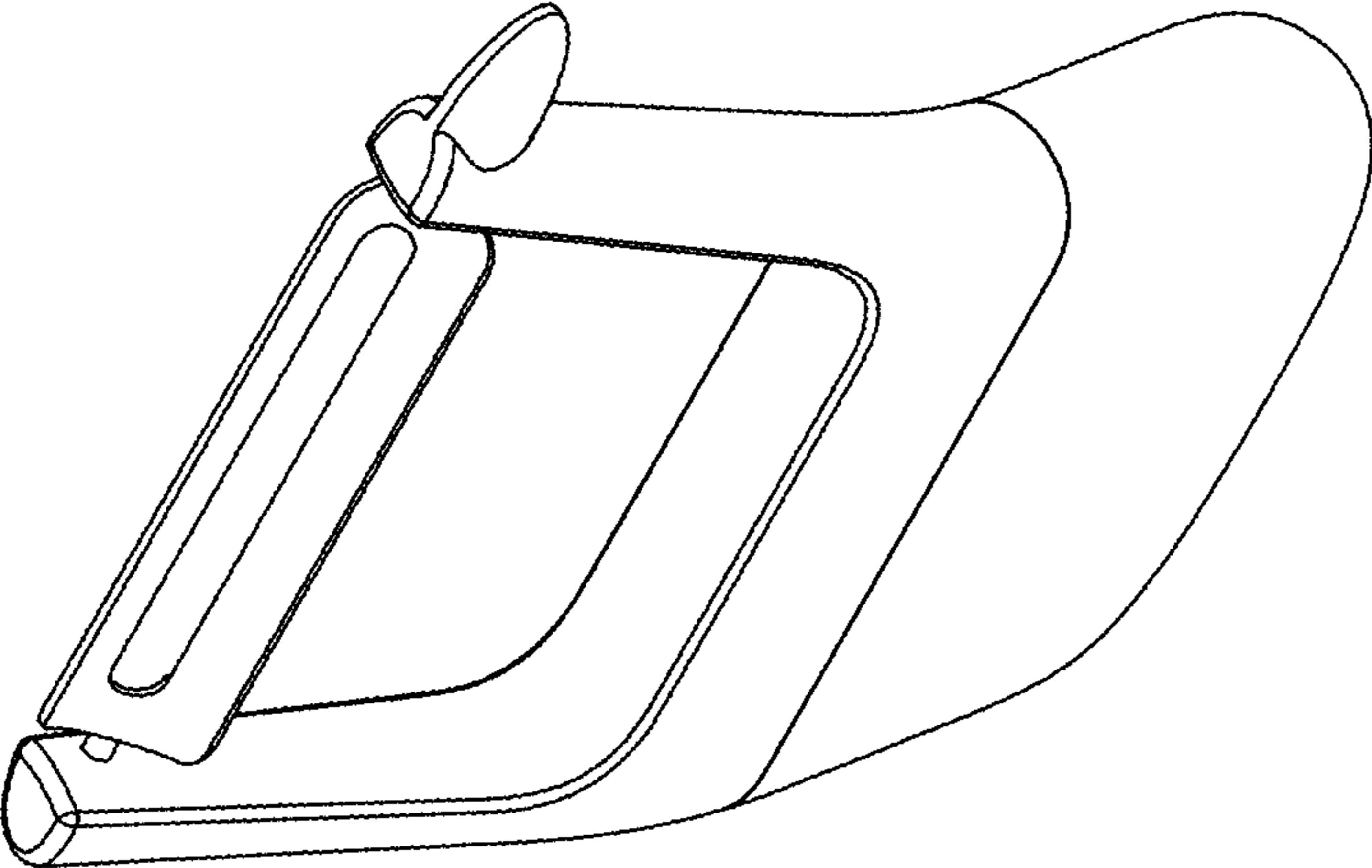


Fig. 1

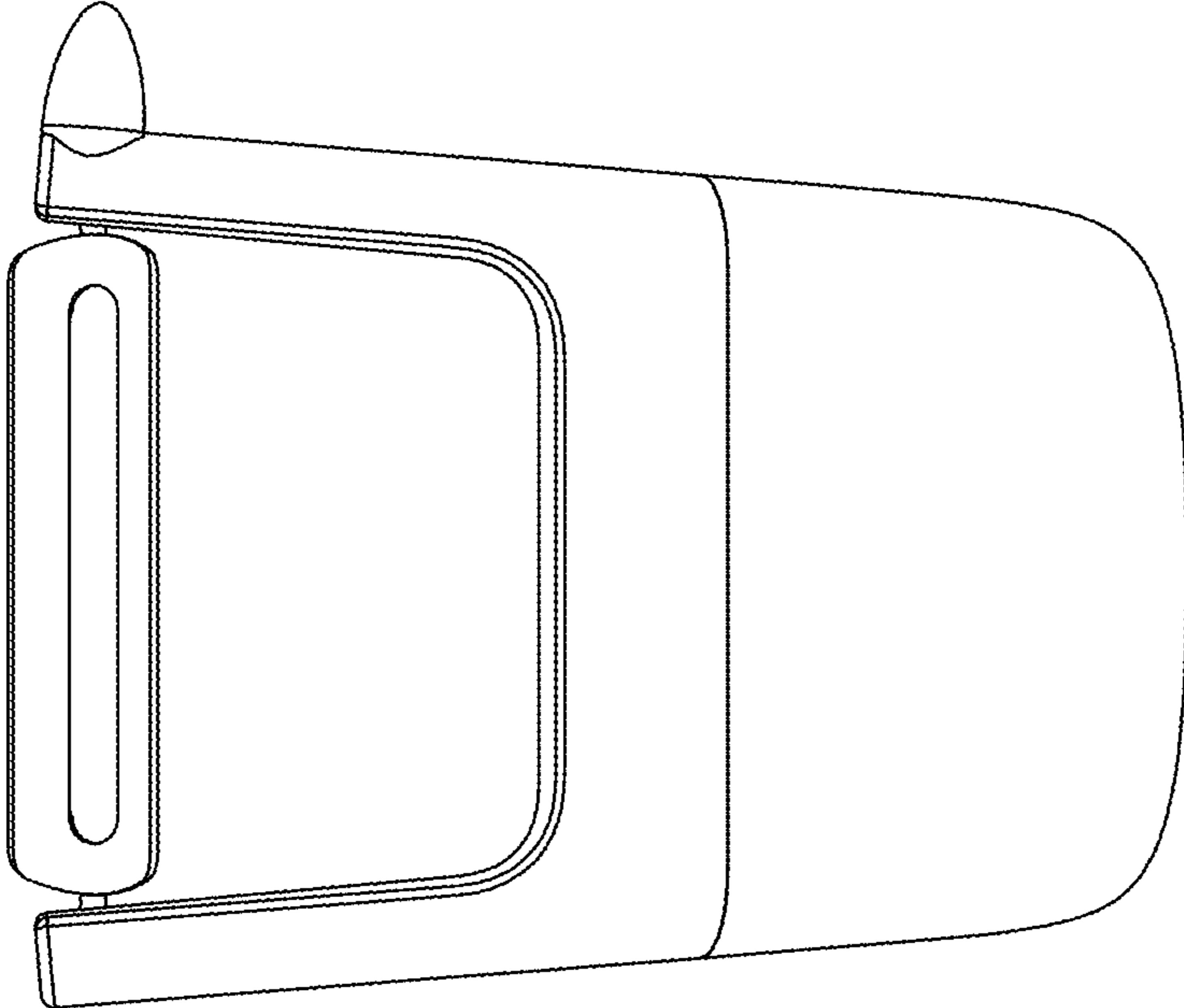


Fig. 2

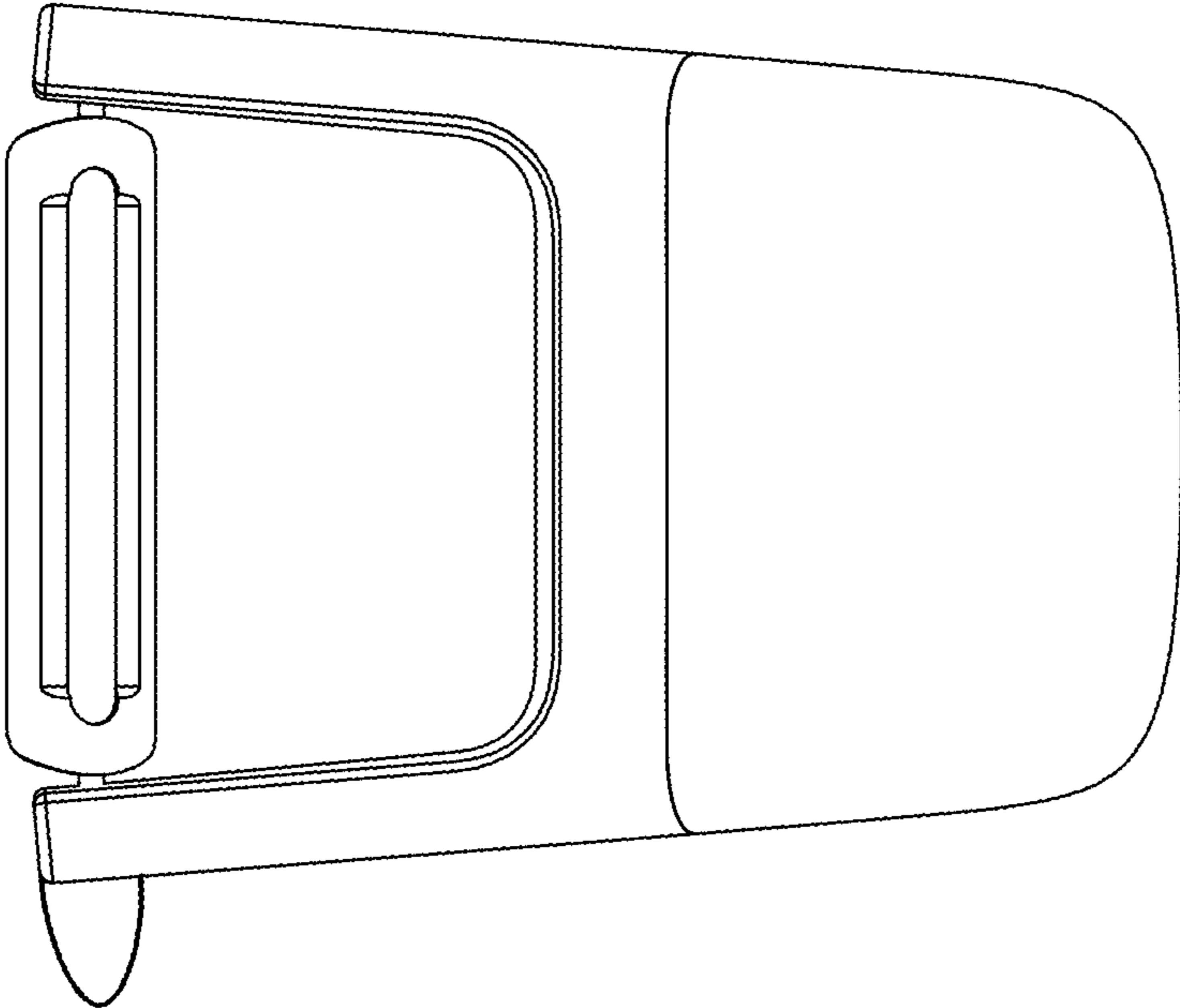


Fig. 3

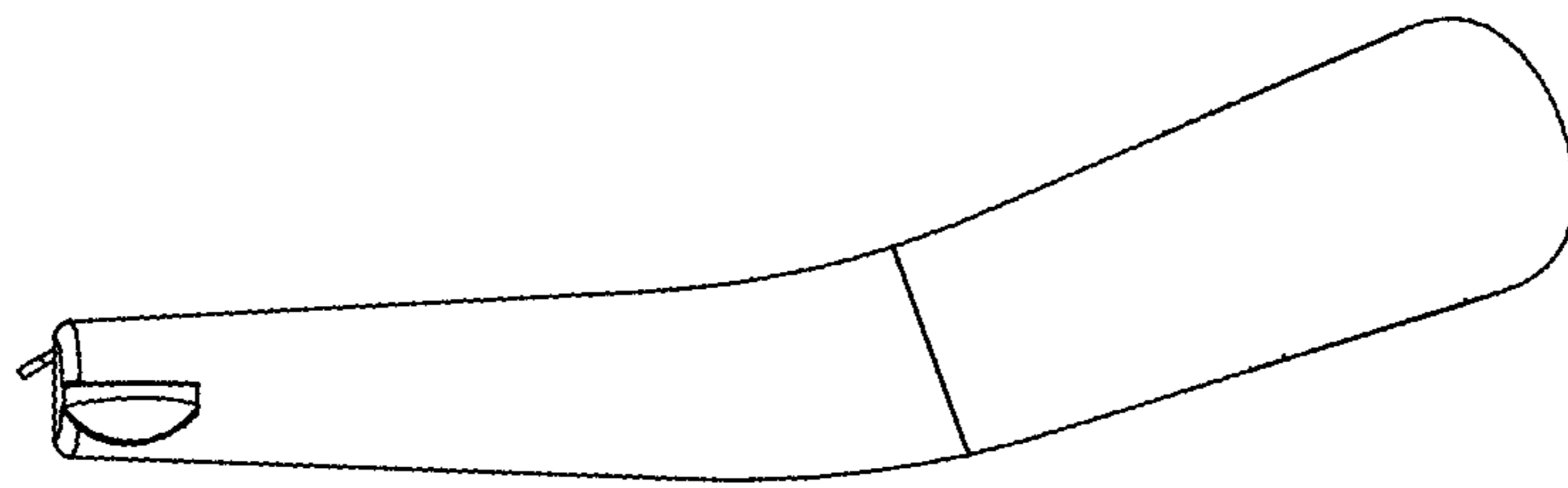


Fig. 4

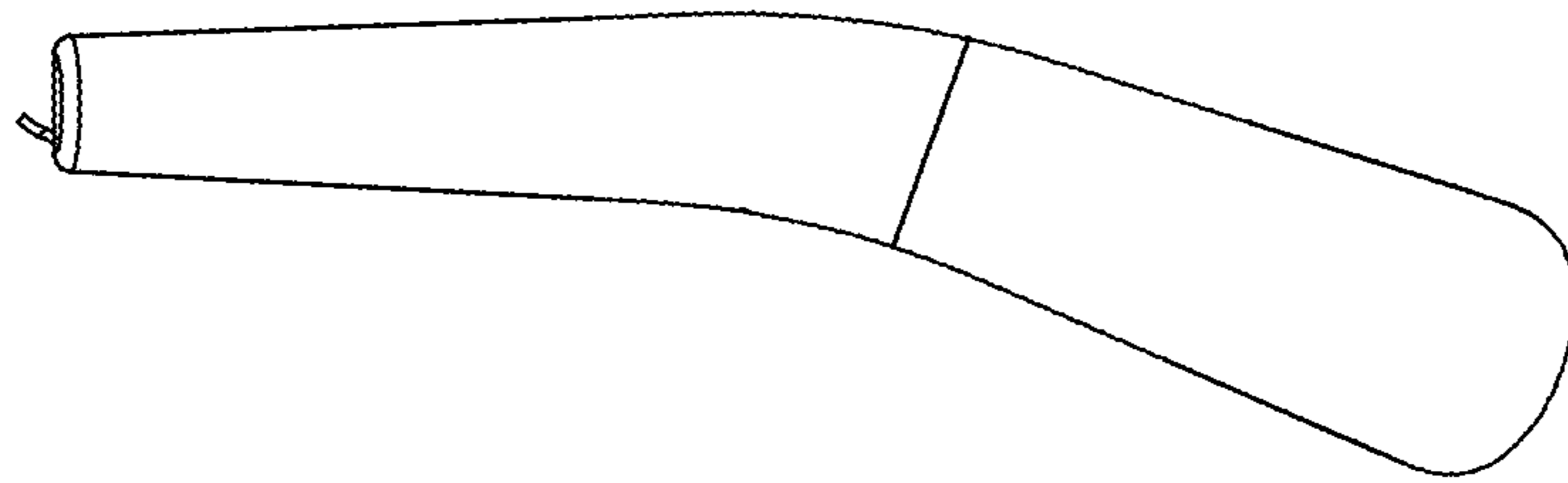


Fig. 5

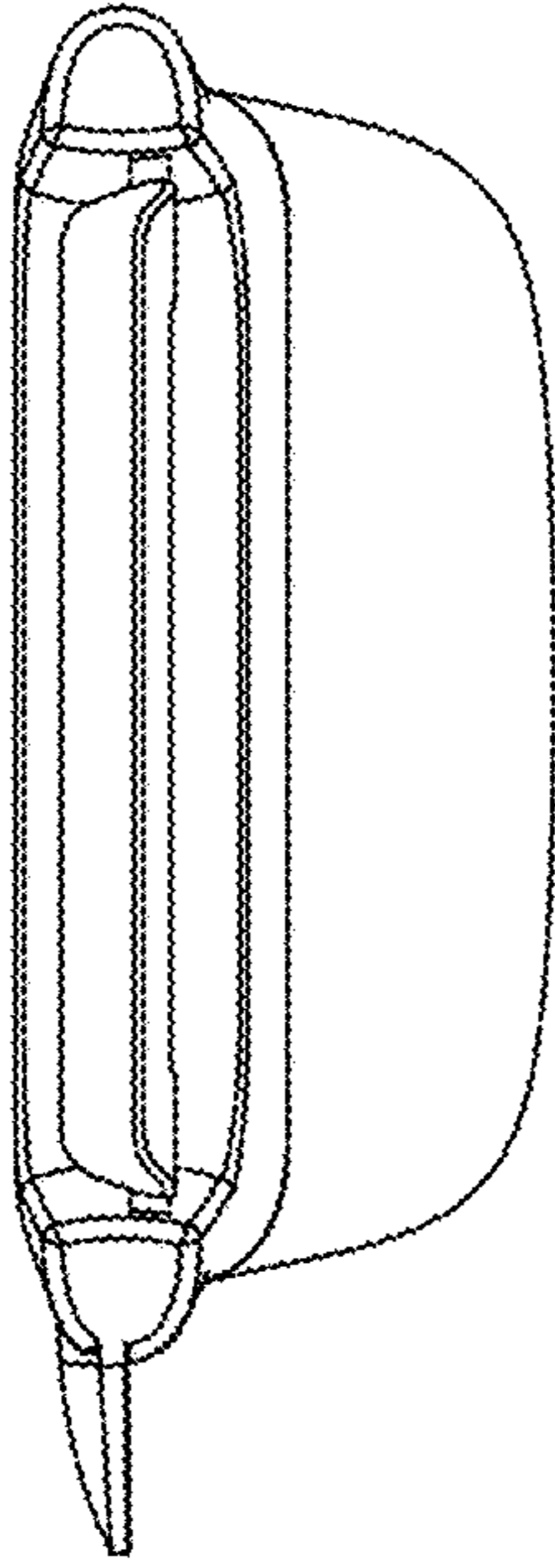


Fig. 6

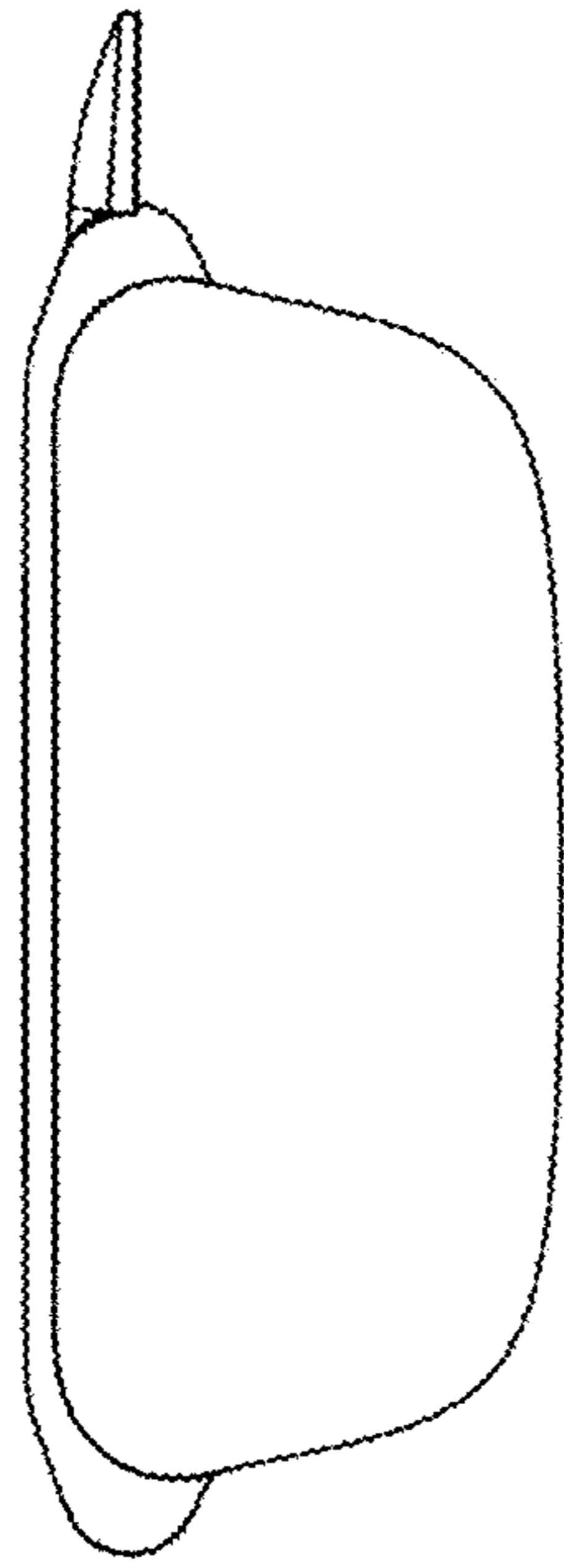


Fig. 7