



US00D857465S

(12) **United States Design Patent**
Castellano

(10) **Patent No.:** **US D857,465 S**

(45) **Date of Patent:** **** Aug. 27, 2019**

(54) **NUTCRACKER**

(71) Applicant: **Martina Lisa Castellano**, Legnano (IT)

(72) Inventor: **Martina Lisa Castellano**, Legnano (IT)

(**) Term: **15 Years**

(21) Appl. No.: **29/619,580**

(22) Filed: **Sep. 29, 2017**

(30) **Foreign Application Priority Data**

Apr. 26, 2017 (EM) 003874148

(51) **LOC (12) Cl.** **07-06**

(52) **U.S. Cl.**
USPC **D7/680**

(58) **Field of Classification Search**
USPC D7/680, 669, 368; D21/372, 373, 386,
D21/484, 499
CPC A47J 43/26; A47J 43/14
See application file for complete search history.

(56) **References Cited**

U.S. PATENT DOCUMENTS

2,656,866 A * 10/1953 Rumsey A47J 43/26
241/169
D254,558 S * 3/1980 Rice D21/373

4,450,761 A * 5/1984 Bailey A23N 5/00
108/25
5,620,183 A * 4/1997 Skratulia A63F 9/0413
273/146
6,237,476 B1 * 5/2001 Beauchemin A47J 43/26
30/120.2
D713,471 S * 9/2014 Qualey D21/373
9,155,425 B2 * 10/2015 Lemasters A47J 43/26

* cited by examiner

Primary Examiner — Terry A Wallace

(74) *Attorney, Agent, or Firm* — Pearne & Gordon LLP

(57) **CLAIM**

The ornamental design for a nutcracker, as shown and described.

DESCRIPTION

FIG. 1 is a perspective view of a nutcracker, showing my new design;
FIG. 2 is a front view thereof;
FIG. 3 is a left side view thereof;
FIG. 4 is a right side view thereof;
FIG. 5 is a back view thereof;
FIG. 6 is a bottom view thereof; and,
FIG. 7 is a top view thereof.
The broken lines in the drawings represent unclaimed subject matter and form no part of the claimed design.

1 Claim, 7 Drawing Sheets

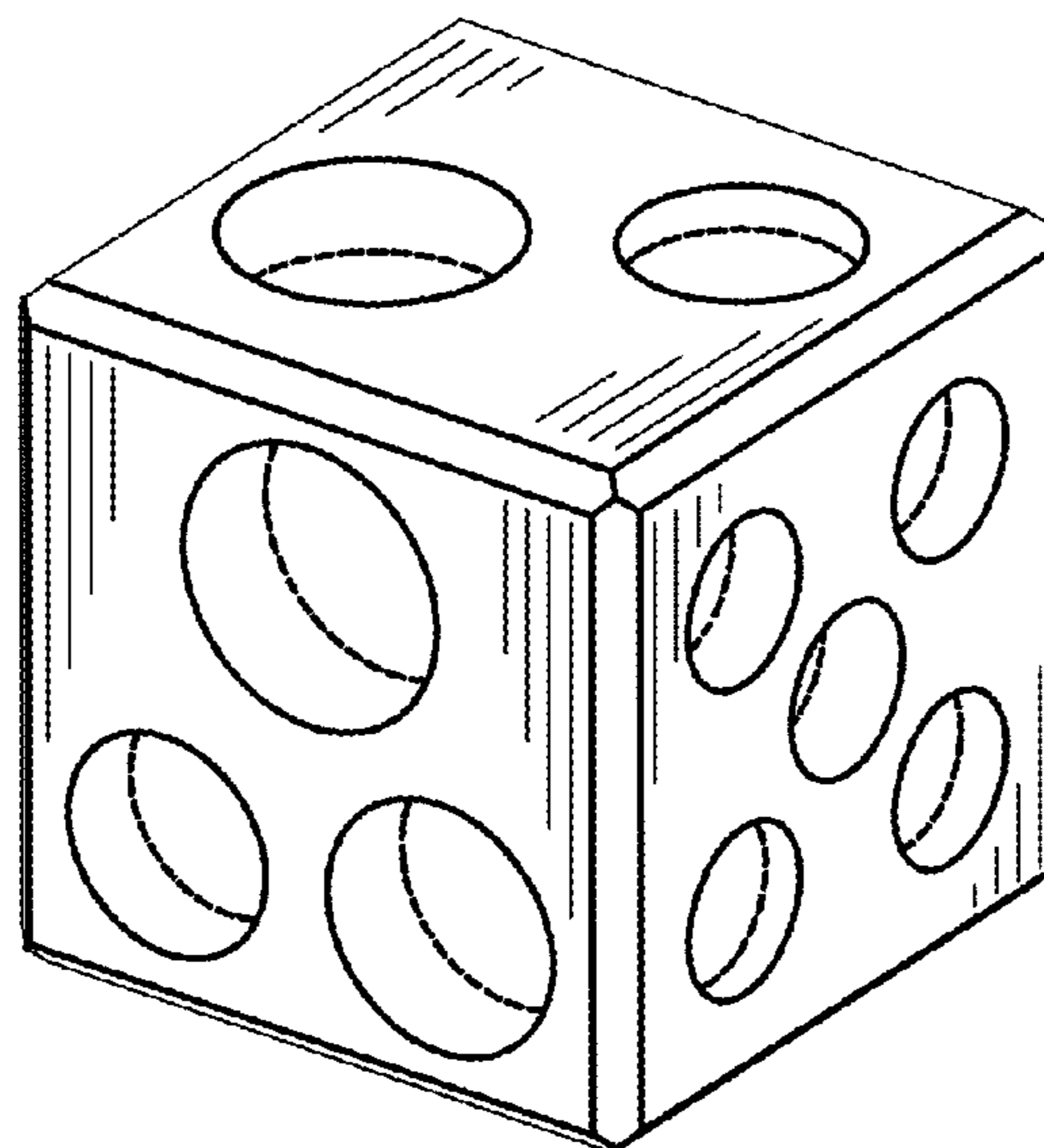


FIG. 1

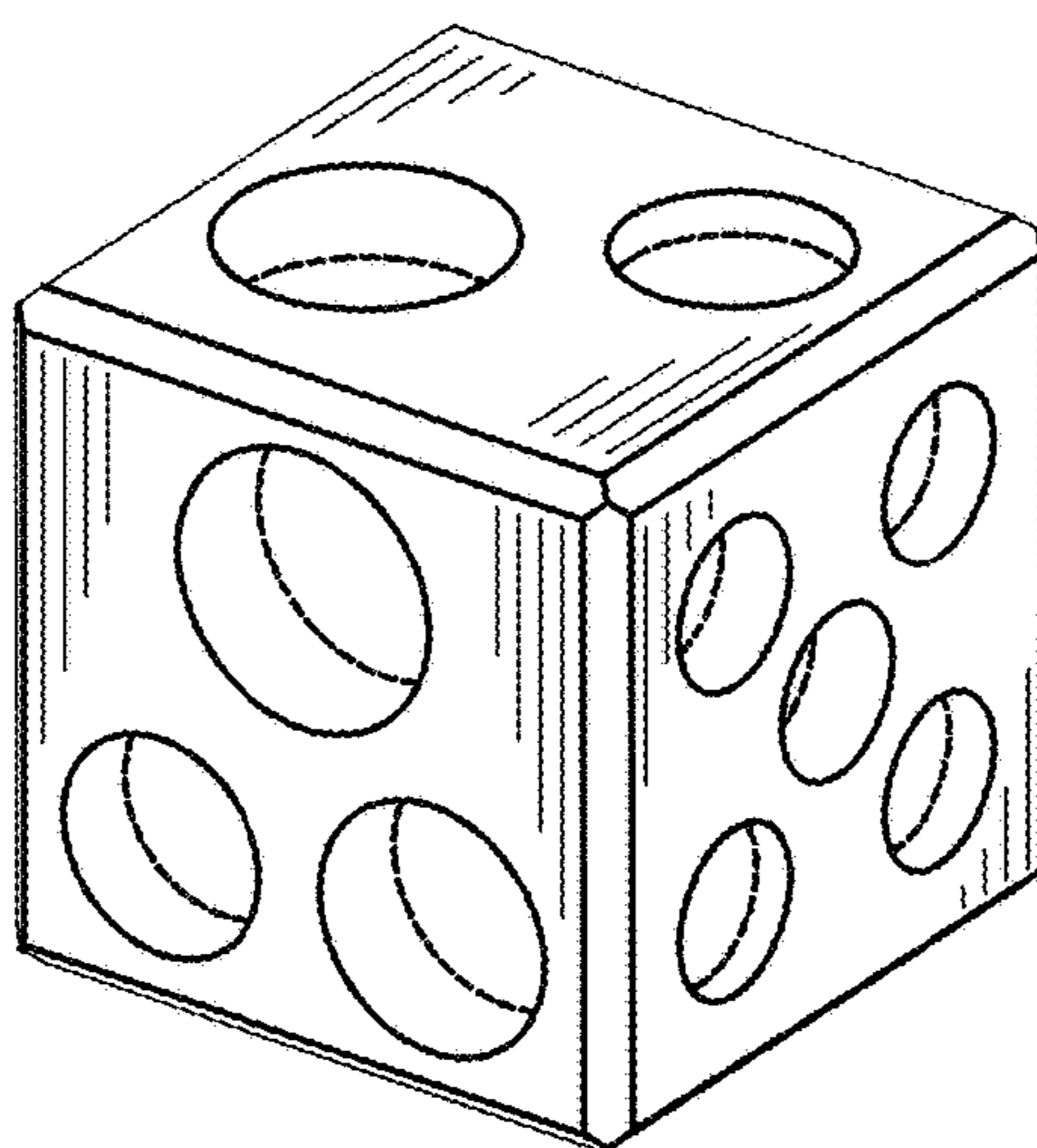


Fig.2

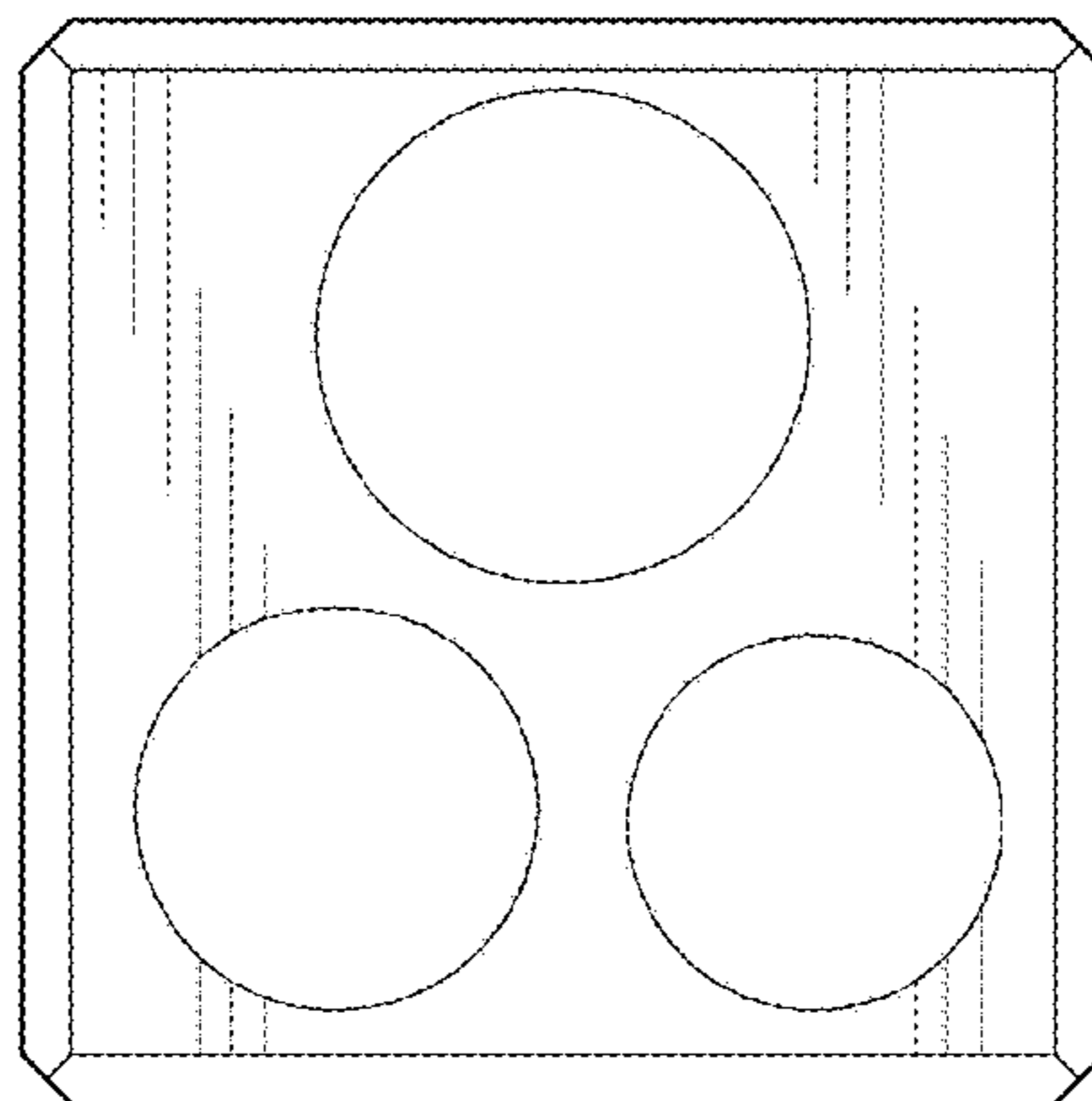


Fig.3

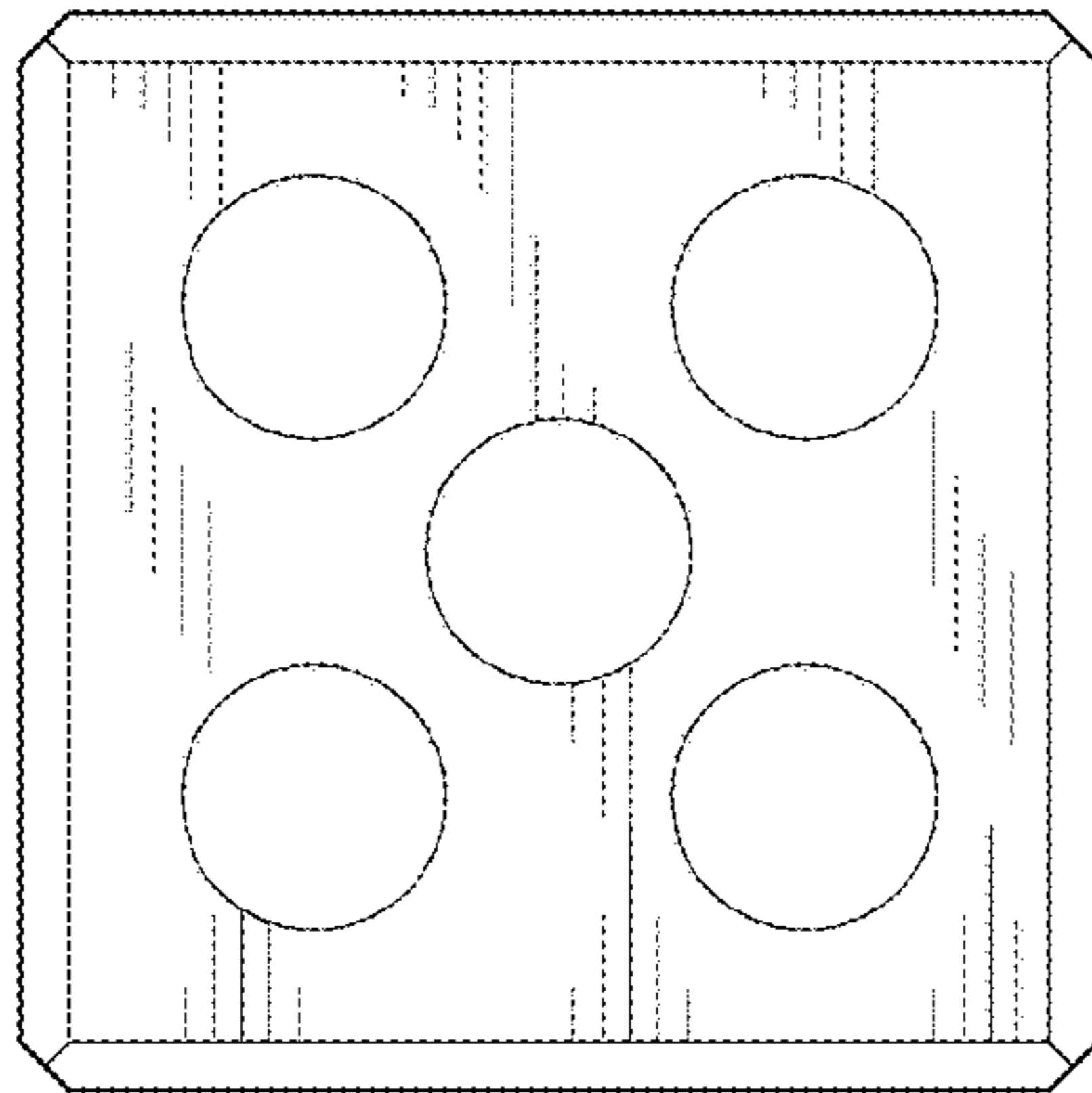


Fig.4

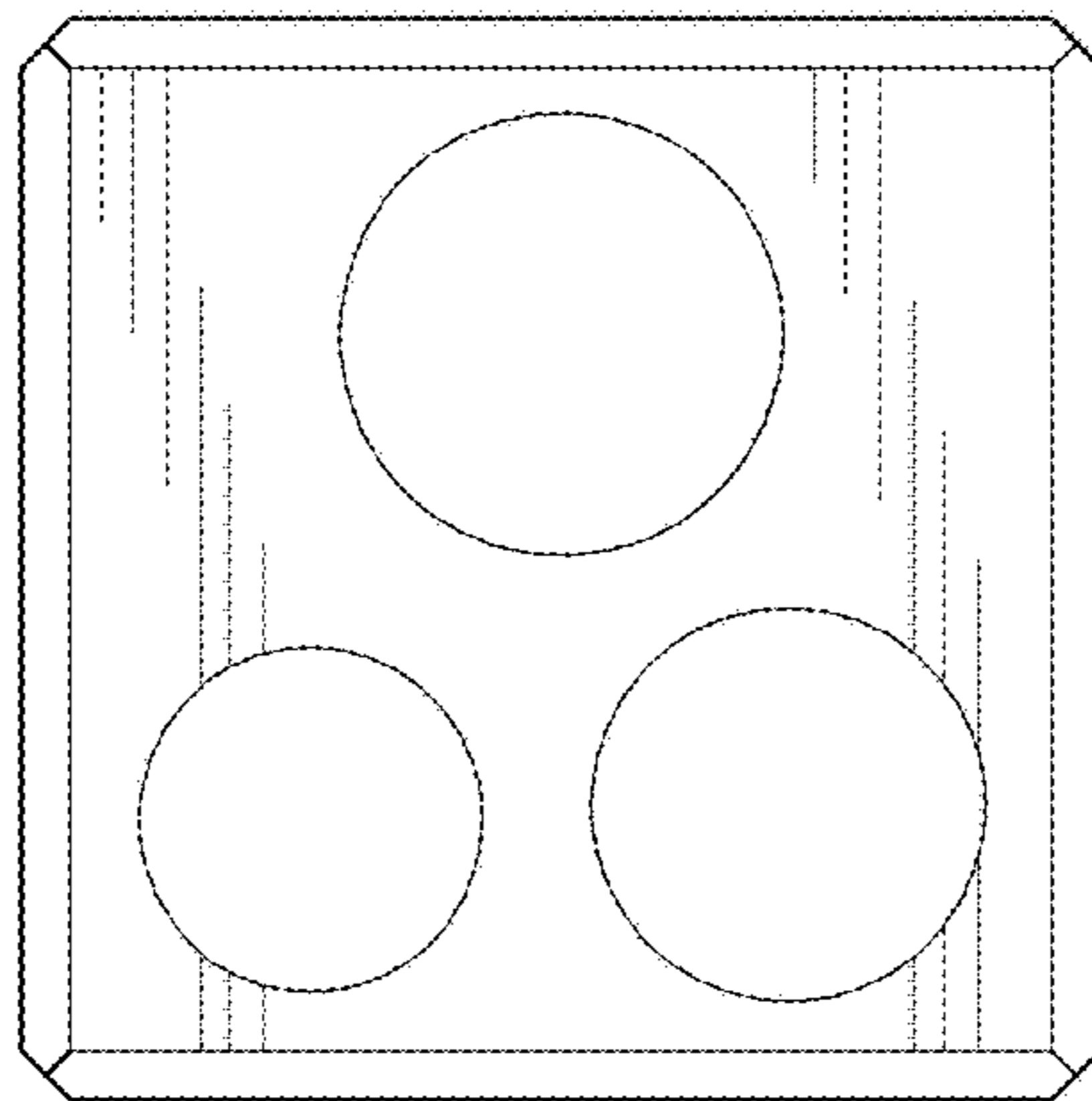


Fig.5

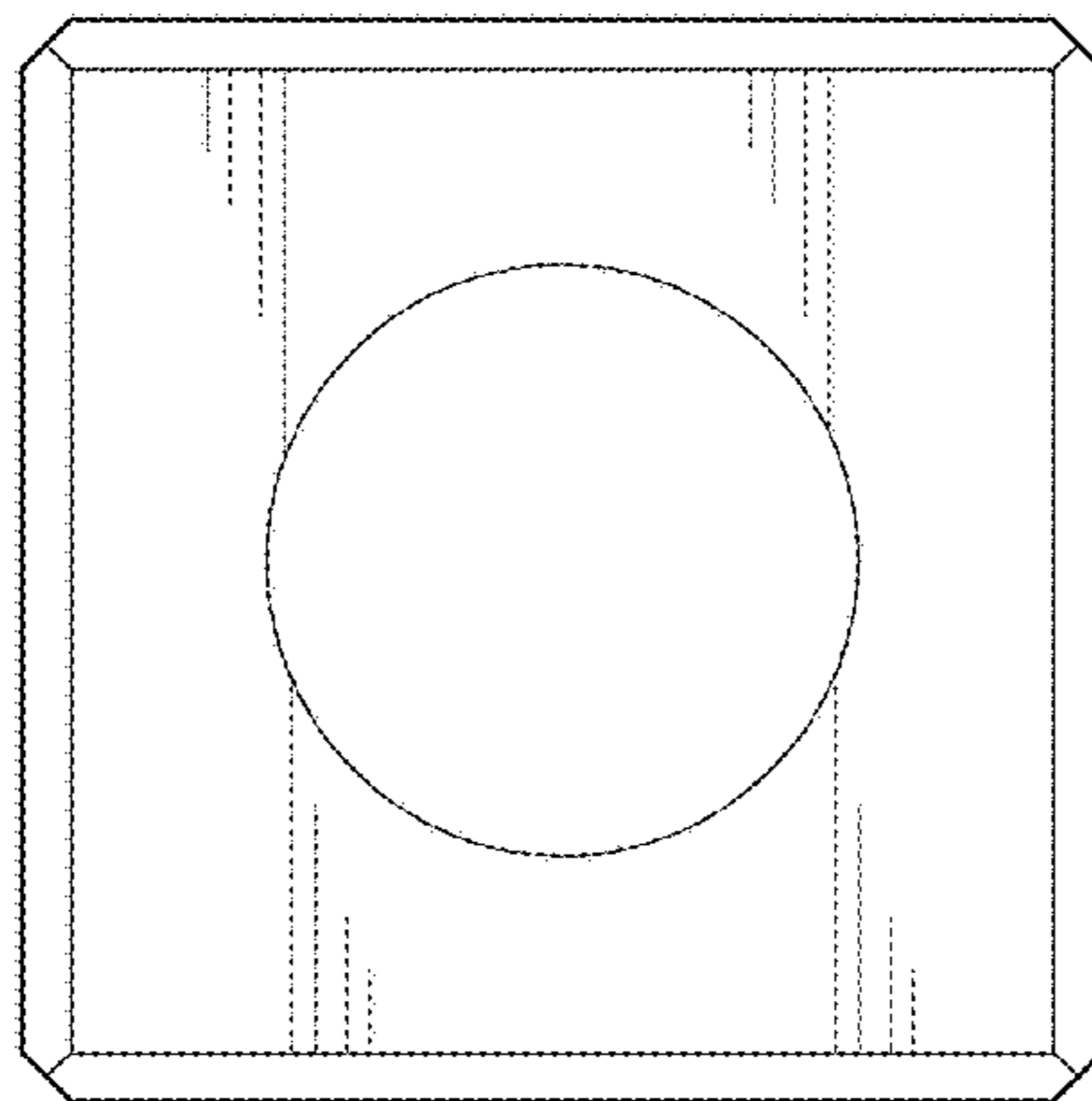


Fig.6

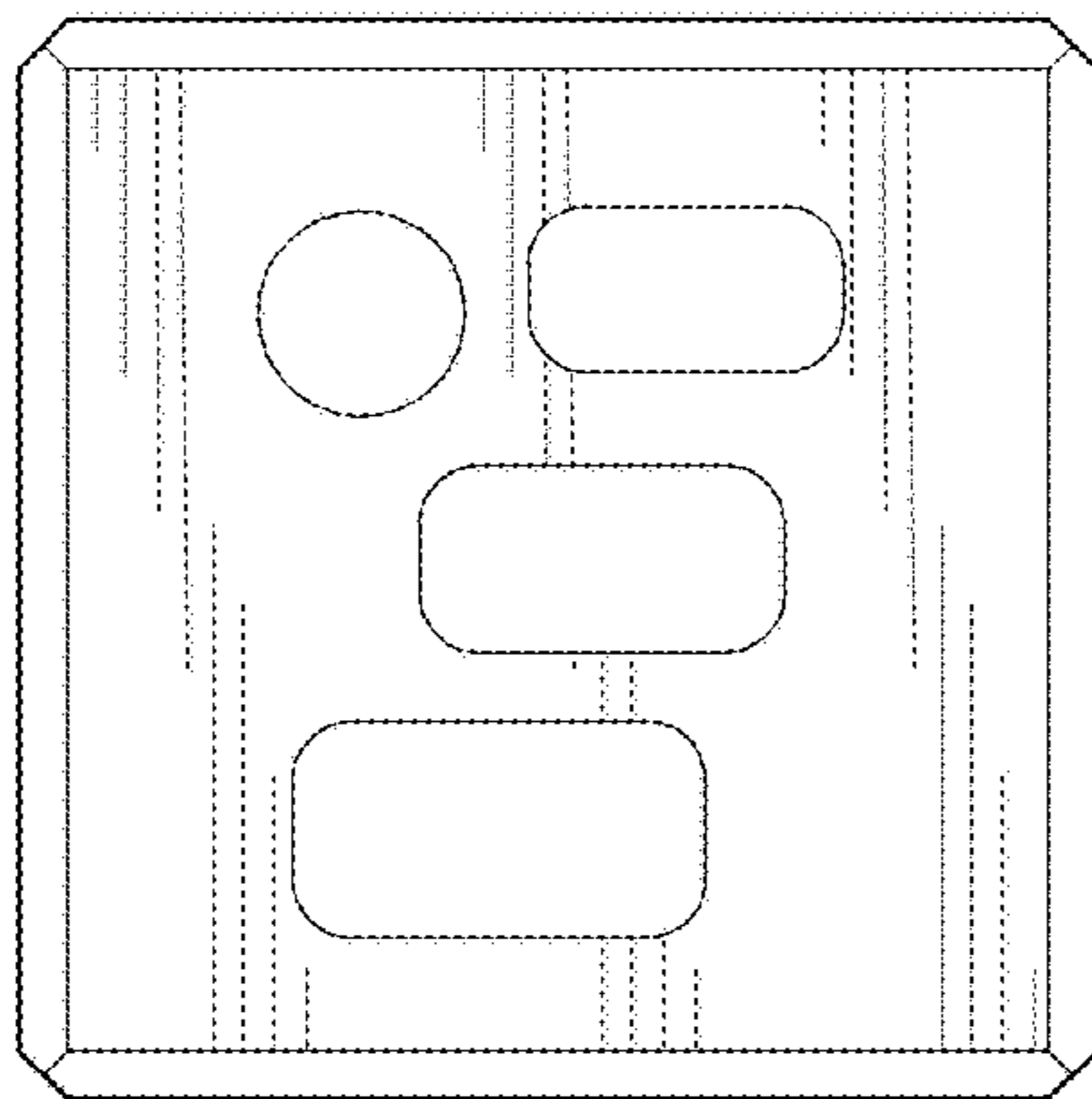


Fig.7

