



US00D857458S

(12) **United States Design Patent** (10) **Patent No.:** **US D857,458 S**
Meller (45) **Date of Patent:** **** Aug. 27, 2019**

(54) **DRINKWARE**

(56) **References Cited**

(71) Applicant: **Nikolaus Meller**, Lake Oswego, OR
(US)
(72) Inventor: **Nikolaus Meller**, Lake Oswego, OR
(US)
(**) Term: **15 Years**
(21) Appl. No.: **29/673,049**
(22) Filed: **Dec. 11, 2018**

U.S. PATENT DOCUMENTS

D52,622 S *	11/1918	Balda	D7/524
D104,573 S *	5/1937	McCartney	D7/524
D219,789 S *	1/1971	Quistgaard	D7/524
D230,552 S *	3/1974	Bengert	215/374
D254,946 S *	5/1980	Tayebi	D7/528
D509,993 S *	9/2005	Lambert	D7/524
D544,306 S *	6/2007	Festa	D7/300.1
D564,894 S *	3/2008	Buoy	D7/524
D575,108 S *	8/2008	Barducci	D7/509
D617,148 S *	6/2010	Musso	D7/524
D771,439 S *	11/2016	Miller	D7/509
D804,249 S *	12/2017	Gispert	D7/505
D815,913 S *	4/2018	McLaughlin	D7/523

* cited by examiner

Related U.S. Application Data

(62) Division of application No. 29/619,981, filed on Oct. 3, 2017.
(51) **LOC (12) Cl.** **07-01**
(52) **U.S. Cl.**
USPC **D7/524; D7/528**
(58) **Field of Classification Search**
USPC D7/505, 507, 509, 510, 511, 514, 515,
D7/523, 524-528, 533, 534, 535, 536,
D7/392.1, 396.3, 400, 564, 577, 571, 569,
D7/556, 656, 654, 642, 607, 603, 602,
D7/624.1, 624.2, 680, 397, 398, 213, 403,
D7/396.6, 633, 631, 632, 901; 220/200,
220/592.16, 592.17, 495.03; D9/434,
D9/435; D24/197; D19/194; D28/4, 39,
D28/10, 38, 76, 82, 85, 88; D11/143,
D11/144, 391
CPC A47G 19/2205; A47G 19/22; A47G
19/2211; A47G 19/2216; B65D 1/265;
B65D 3/06; A45F 3/20
See application file for complete search history.

Primary Examiner — Marianne N Pandozzi
Assistant Examiner — Jae Liang
(74) *Attorney, Agent, or Firm* — James A. Sheridan;
Sheridan Law, LLC

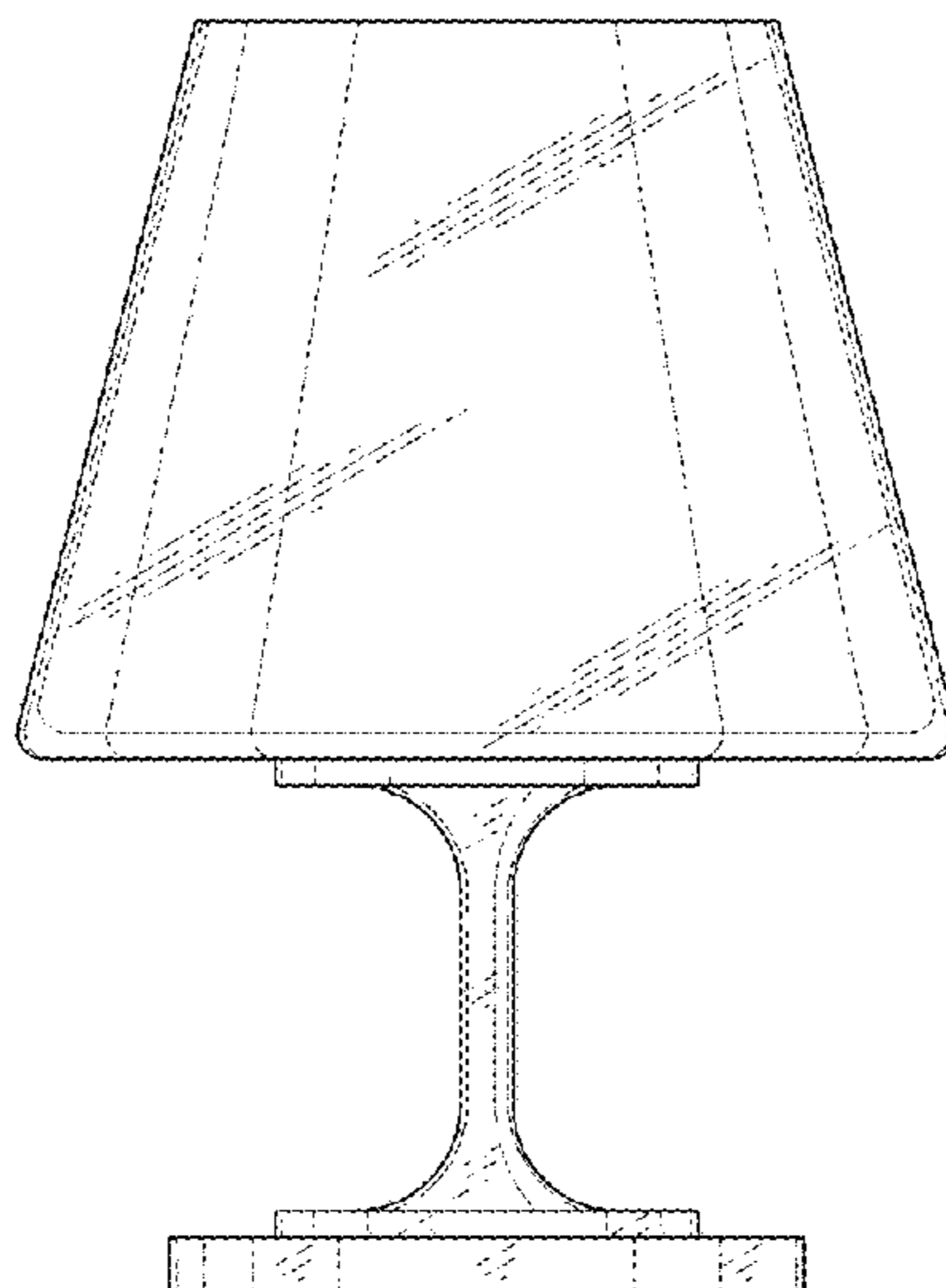
(57) **CLAIM**

The ornamental design for a drinkware, as shown and described.

DESCRIPTION

FIG. 1 is a perspective view of a first embodiment of a drinkware showing my new design;
FIG. 2 is a front elevational view thereof, the rear elevational view, the left and right side elevational views being a mirror image thereof;
FIG. 3 is a top plan view thereof; and,
FIG. 4 is a bottom plan view thereof.

1 Claim, 3 Drawing Sheets



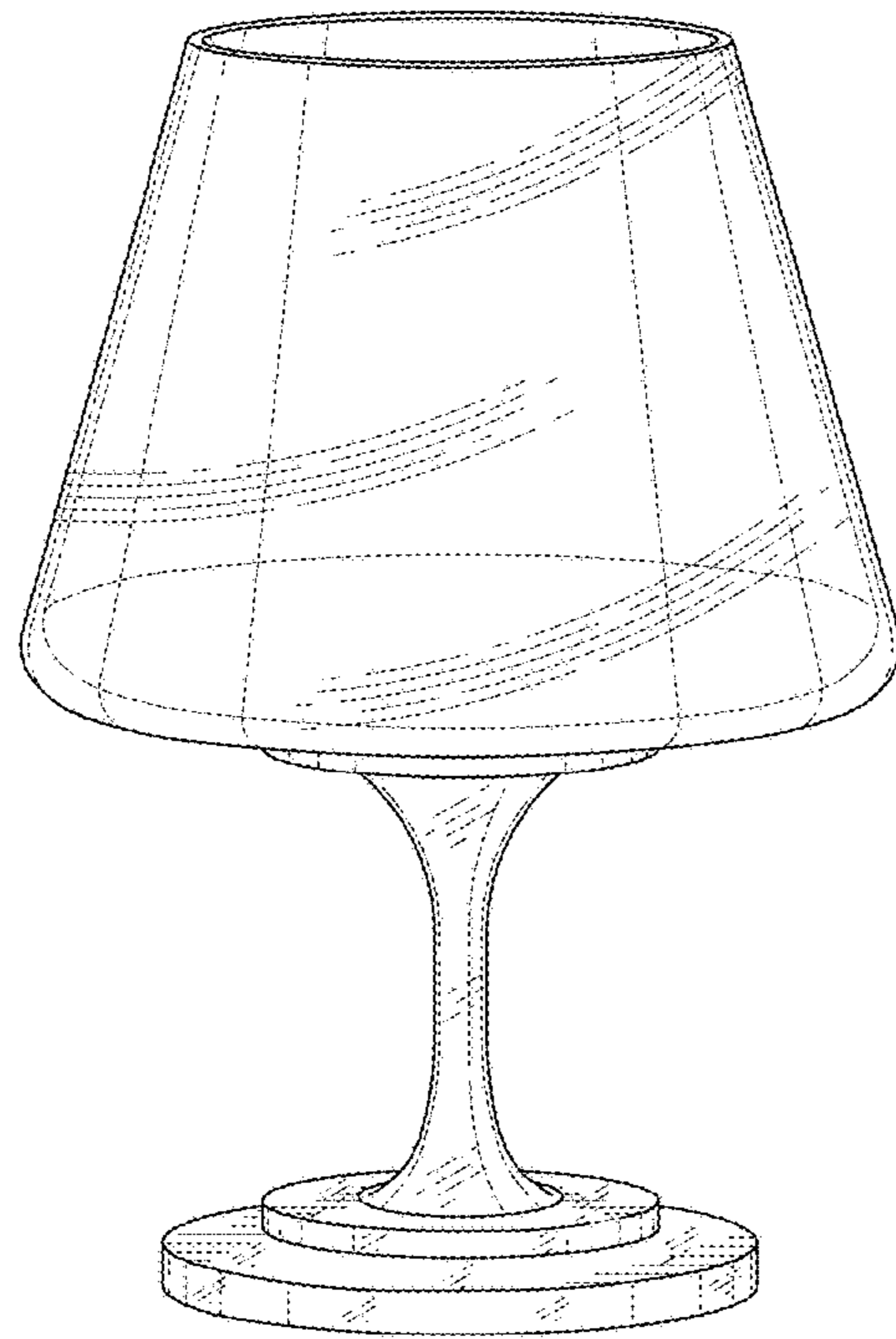


FIG. 1

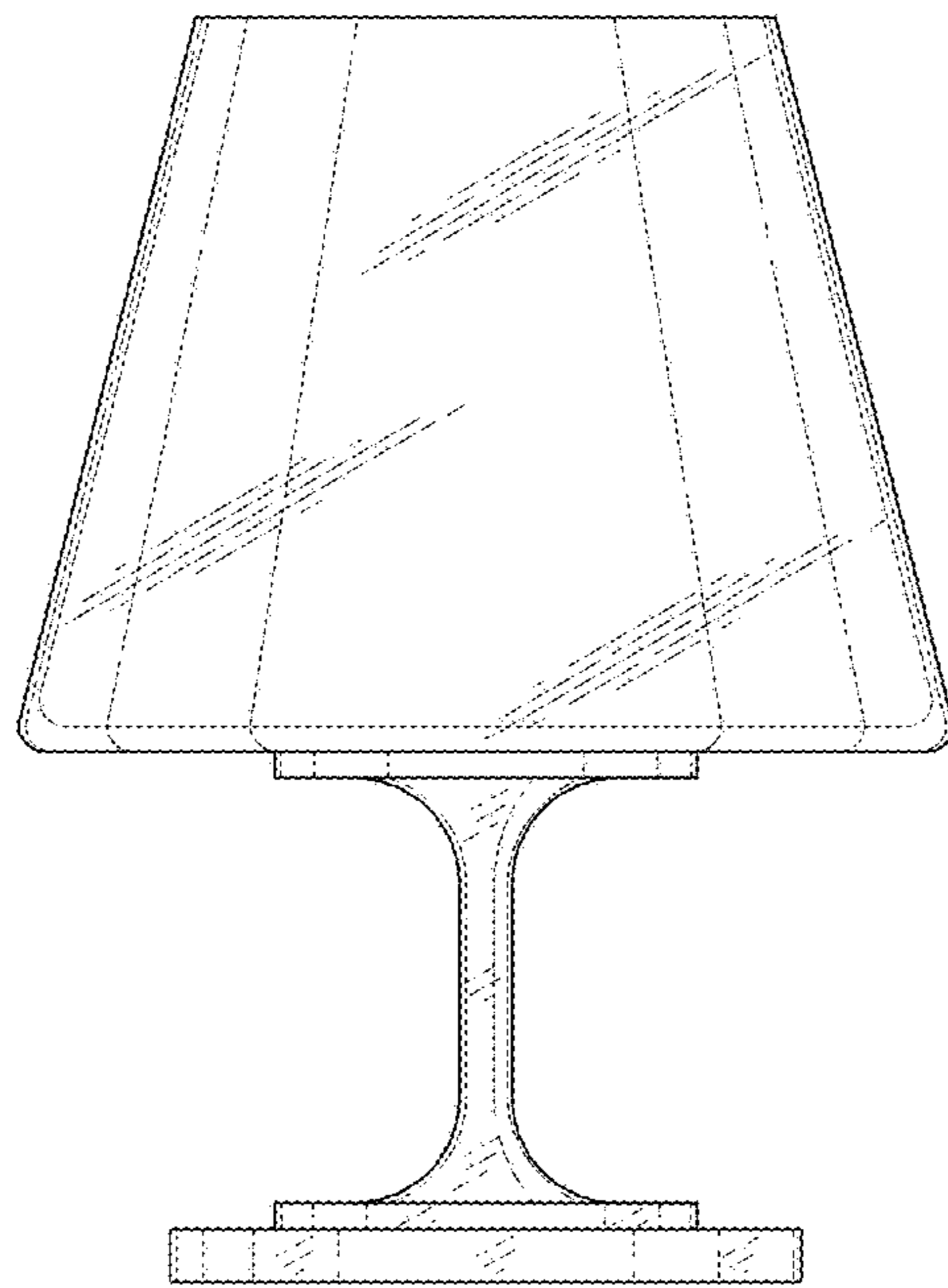


FIG. 2

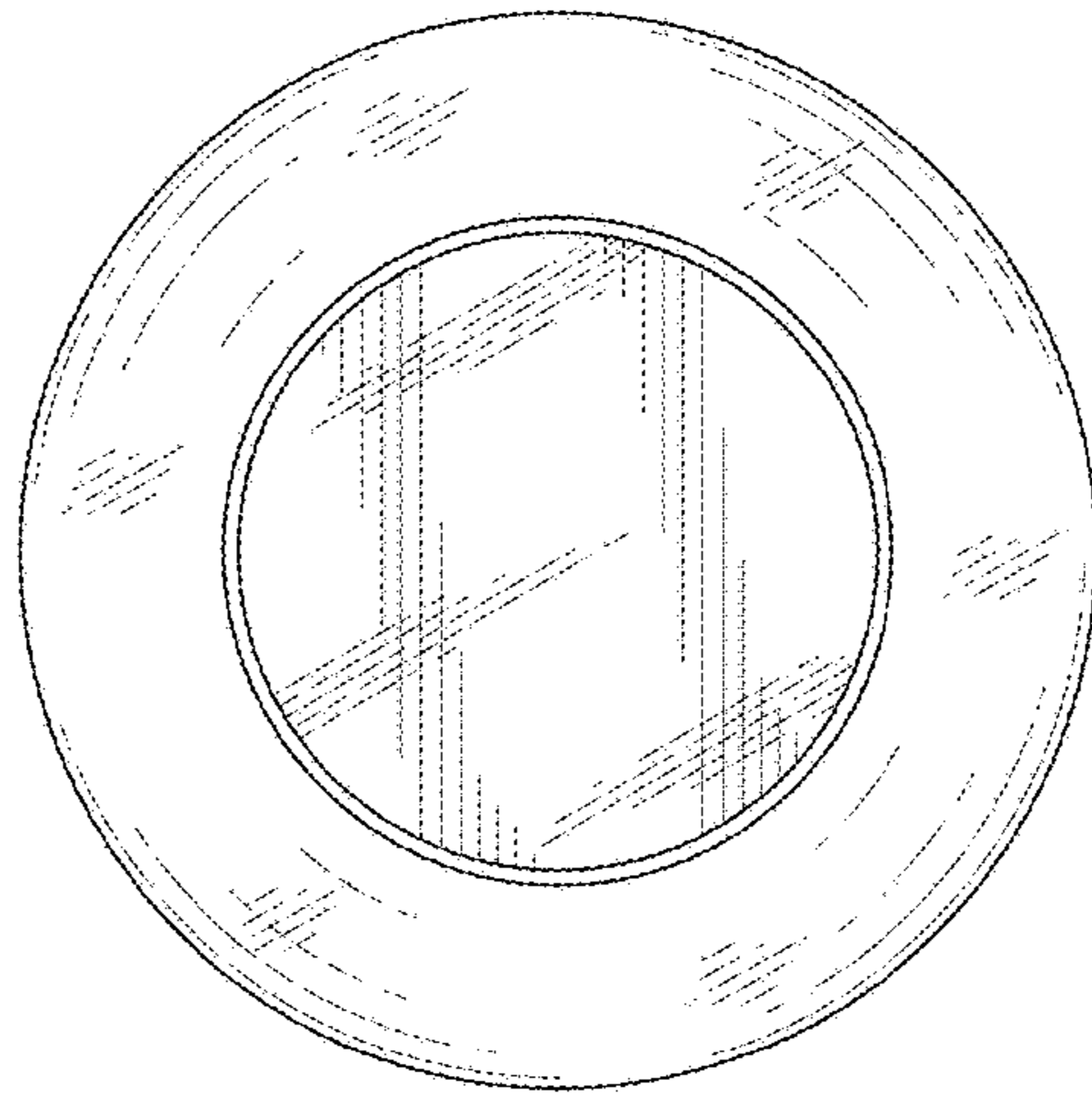


FIG. 3

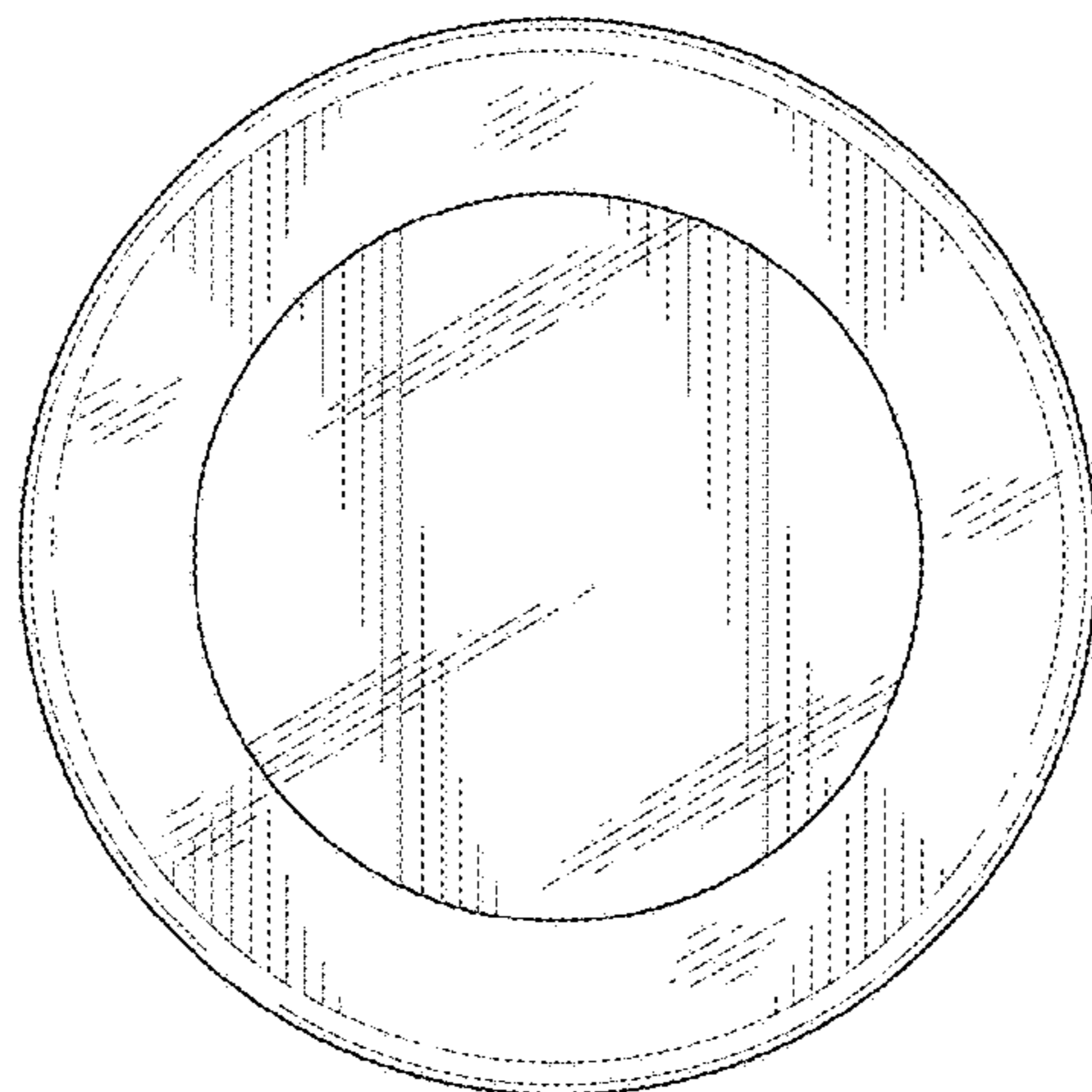


FIG. 4