



US00D857456S

(12) **United States Design Patent**  
**Bell et al.**

(10) **Patent No.:** **US D857,456 S**

(45) **Date of Patent:** **\*\* Aug. 27, 2019**

(54) **WATER BOTTLE**

(71) Applicant: **Brita LP**, Oakland, CA (US)

(72) Inventors: **Russell E. Bell**, Pleasanton, CA (US);  
**Rick T. Nishijima**, Pleasanton, CA  
(US); **Elizabeth A. Buzzard**,  
Pleasanton, CA (US); **John B. Glauber**,  
Pleasanton, CA (US)

(73) Assignee: **Brita LP**, Oakland, CA (US)

(\*\*) Term: **15 Years**

(21) Appl. No.: **29/640,549**

(22) Filed: **Mar. 15, 2018**

(51) **LOC (12) Cl.** ..... **07-01**

(52) **U.S. Cl.**

USPC ..... **D7/511**; D7/510; D7/532; D7/529

(58) **Field of Classification Search**

USPC ..... D7/310, 312, 314, 315, 316, 317, 318,  
D7/319, 320, 591, 592, 598, 600, 622,  
D7/667, 668, 392, 392.1, 396.6, 503, 507,  
D7/509, 510, 511, 514, 515, 522, 513,  
D7/523, 533, 559, 535, 532, 403, 536,  
D7/529; D9/500, 678, 669, 715, 719,  
D9/536, 528, 531, 534, 435, 440, 443;  
215/380, 382, 398, 396; 220/495.03, 23,  
220/494; 206/217; 229/400, 402, 404  
CPC ..... A47J 31/14; A47J 36/14; A47J 31/005;  
A47J 31/00; A47G 19/14; A47G 19/2272  
See application file for complete search history.

(56) **References Cited**

**U.S. PATENT DOCUMENTS**

D354,915 S \* 1/1995 Schneider ..... D9/454  
D467,804 S \* 12/2002 Restrepo ..... D9/500  
D620,357 S \* 7/2010 Jewett ..... D9/443  
D627,227 S \* 11/2010 Andis ..... D7/510  
D633,797 S \* 3/2011 Cresswell ..... D9/500

D700,802 S \* 3/2014 Miller ..... D7/392.1  
D743,259 S \* 11/2015 Delacourt ..... D9/500  
D786,012 S \* 5/2017 Hein ..... D7/396.2  
D806,468 S \* 1/2018 Goodwin ..... D7/392.1  
D812,428 S \* 3/2018 Wu ..... D7/510  
D818,774 S \* 5/2018 Stover ..... D7/510  
D830,128 S \* 10/2018 Rohe ..... D7/531  
D830,783 S \* 10/2018 Diener ..... D7/608  
D832,650 S \* 11/2018 Diebel ..... D7/511  
D833,230 S \* 11/2018 Libby ..... D7/608

(Continued)

*Primary Examiner* — Marianne N Pandozzi

*Assistant Examiner* — Jae Liang

(74) *Attorney, Agent, or Firm* — Thomas C. Feix

(57) **CLAIM**

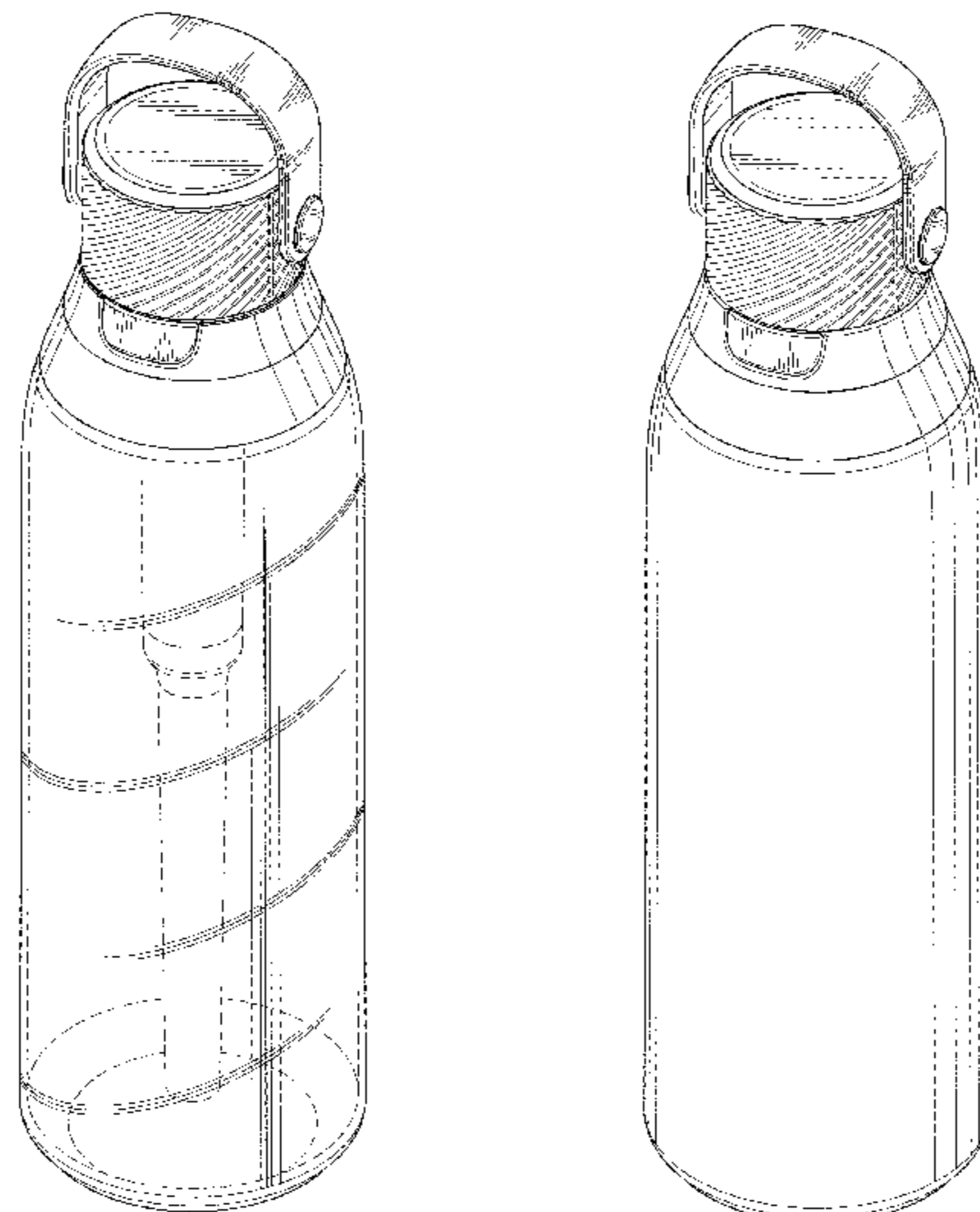
The ornamental design for a water bottle, as shown and described.

**DESCRIPTION**

FIG. 1 is a front perspective view of a first embodiment of a water bottle showing our new design; FIG. 2 is a top view of the bottle of FIG. 1; FIG. 3 is a bottom view of the bottle of FIG. 1; FIG. 4 is a front view of the bottle of FIG. 1; FIG. 5 is a back view of the bottle of FIG. 1; FIG. 6 is a right side view of the bottle of FIG. 1, the left side being a mirror image thereof; FIG. 7 is a front perspective view of a second embodiment of a water bottle; FIG. 8 is a top view of the bottle of FIG. 7; FIG. 9 is a bottom view of the bottle of FIG. 7; FIG. 10 is a front view of the bottle of FIG. 7; FIG. 11 is a back view of the bottle of FIG. 7; and, FIG. 12 is a right side view of the bottle of FIG. 7, the left side being a mirror image thereof.

The broken lines shown in the drawings are included for the purpose of illustrating environmental structure and form no part of the claimed design.

**1 Claim, 8 Drawing Sheets**



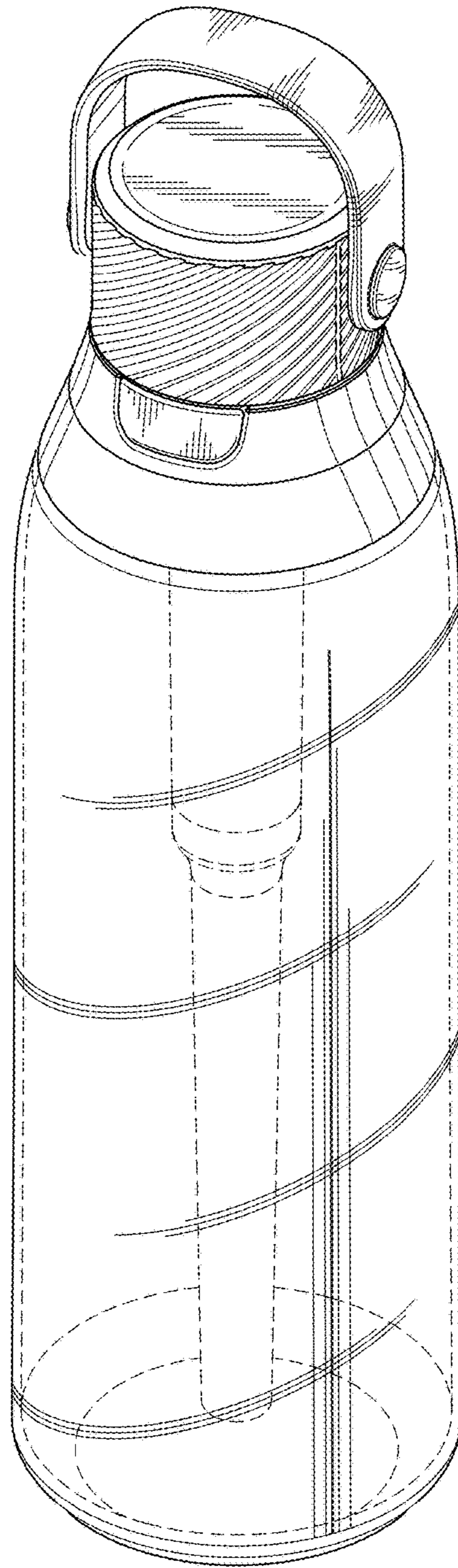
(56)

**References Cited**

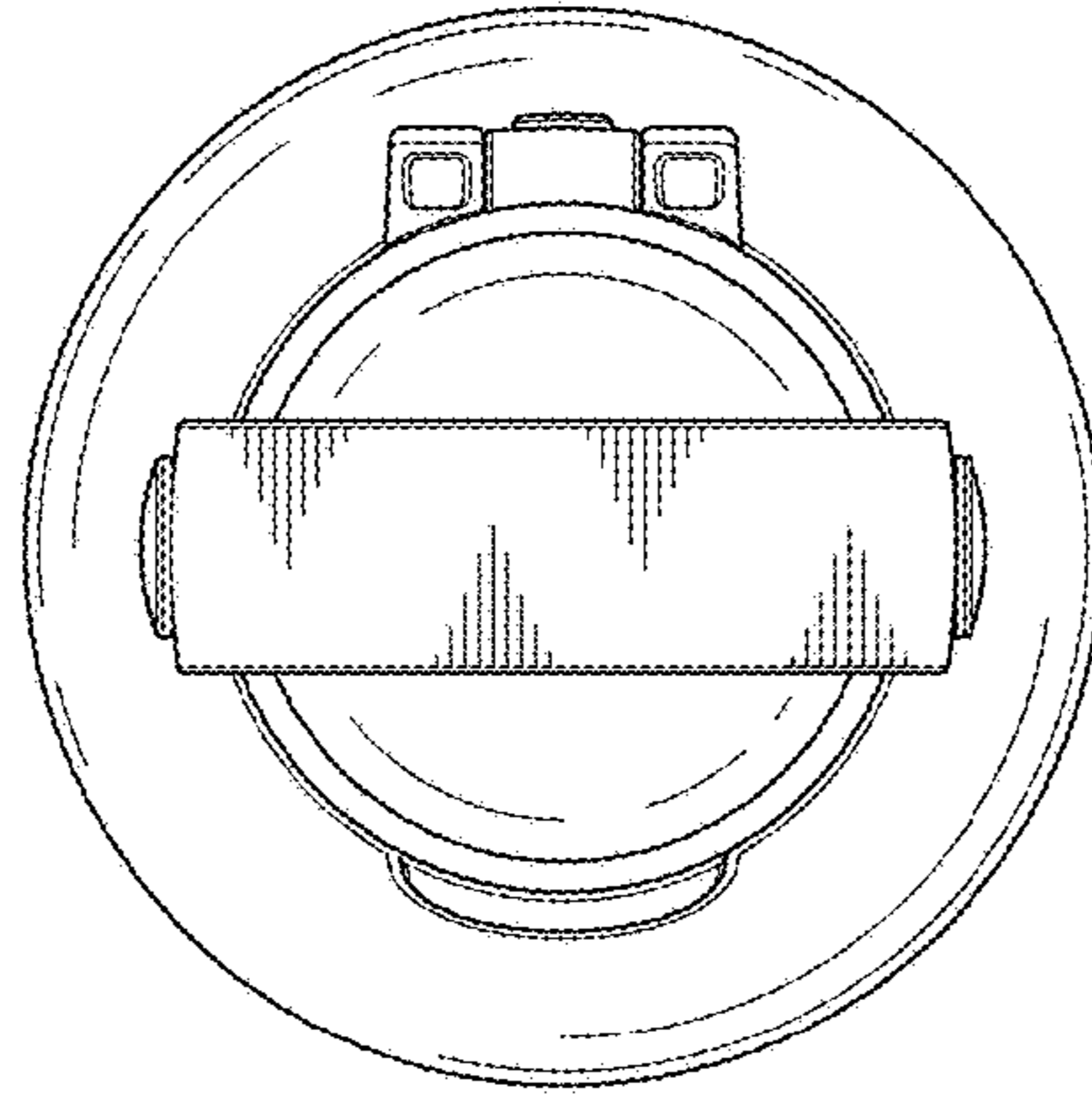
U.S. PATENT DOCUMENTS

2016/0159538 A1\* 6/2016 Michie ..... A45F 3/16  
215/306  
2016/0318693 A1\* 11/2016 Hein ..... B65D 41/0442

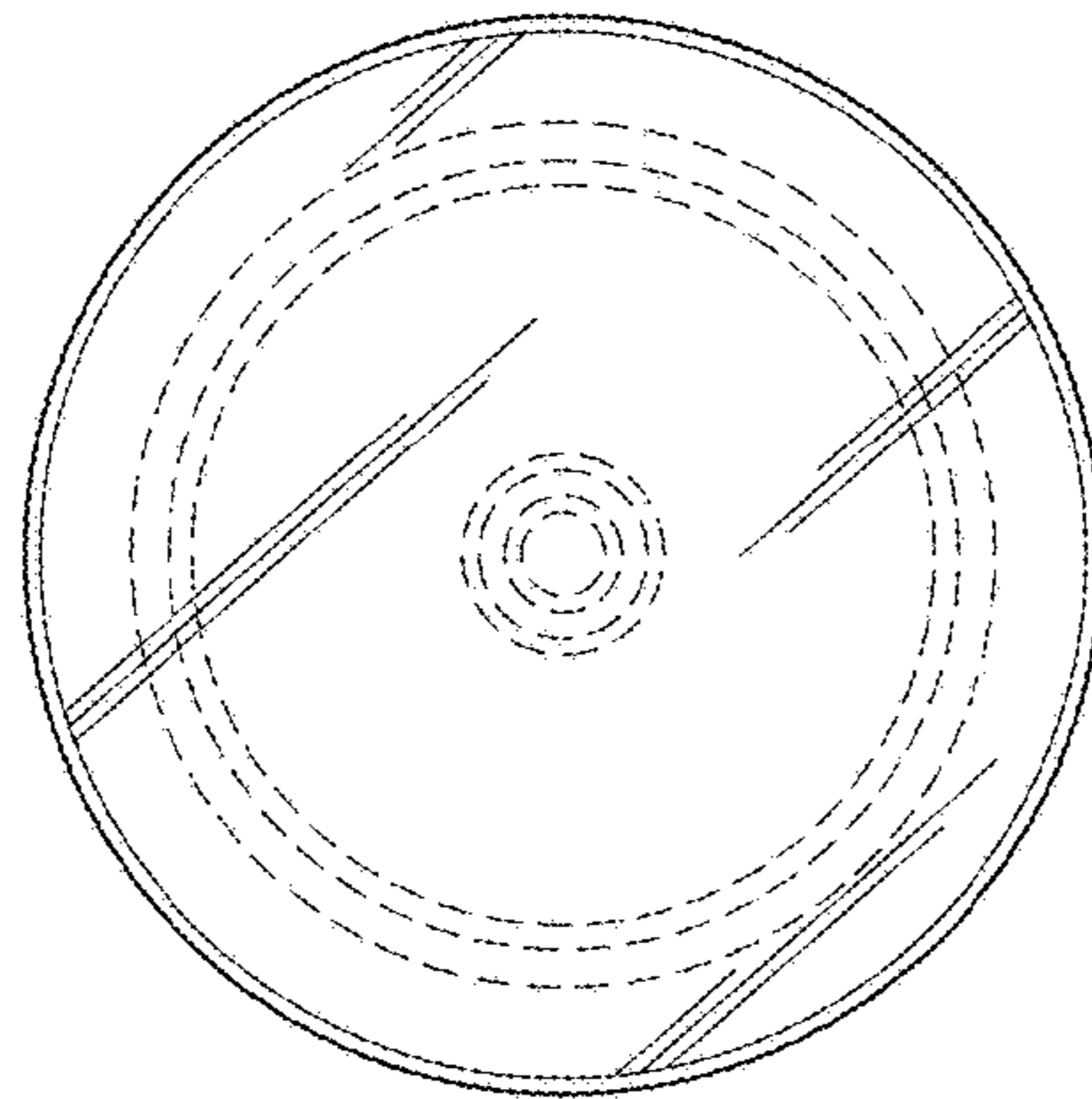
\* cited by examiner



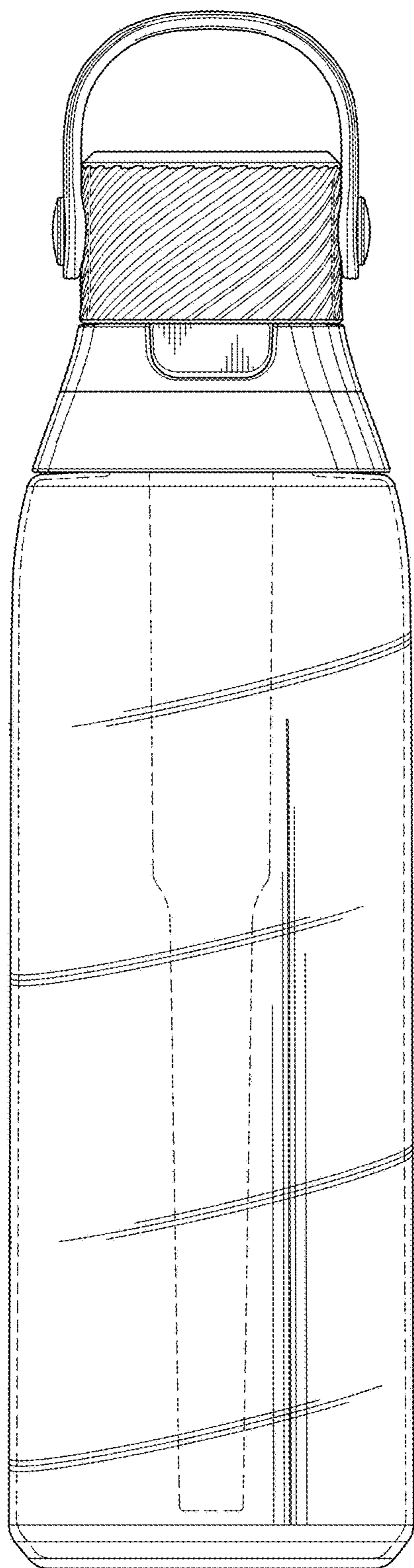
**FIG. 1**



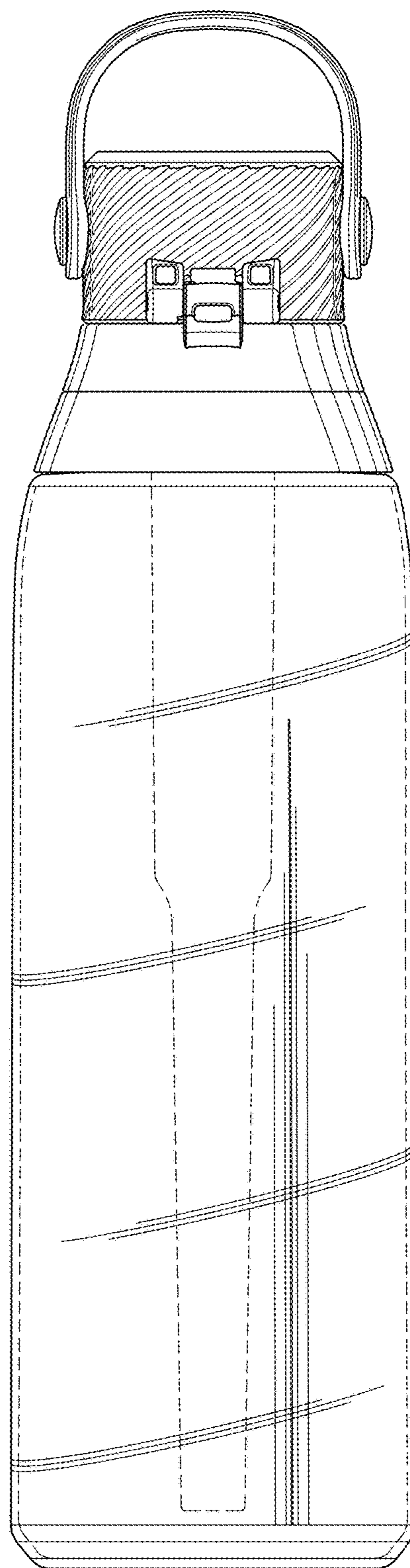
*FIG. 2*



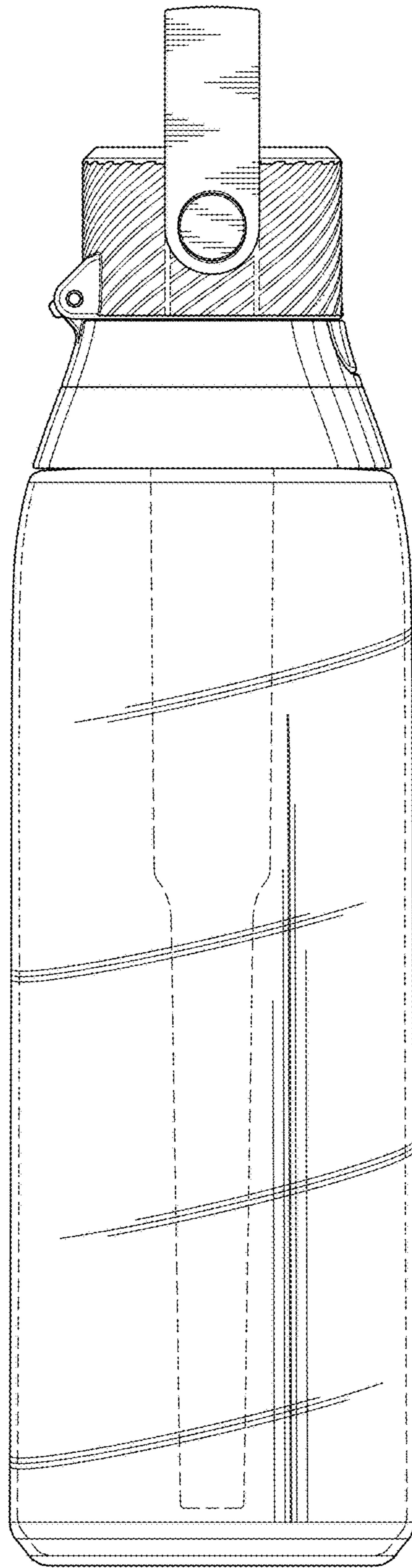
*FIG. 3*



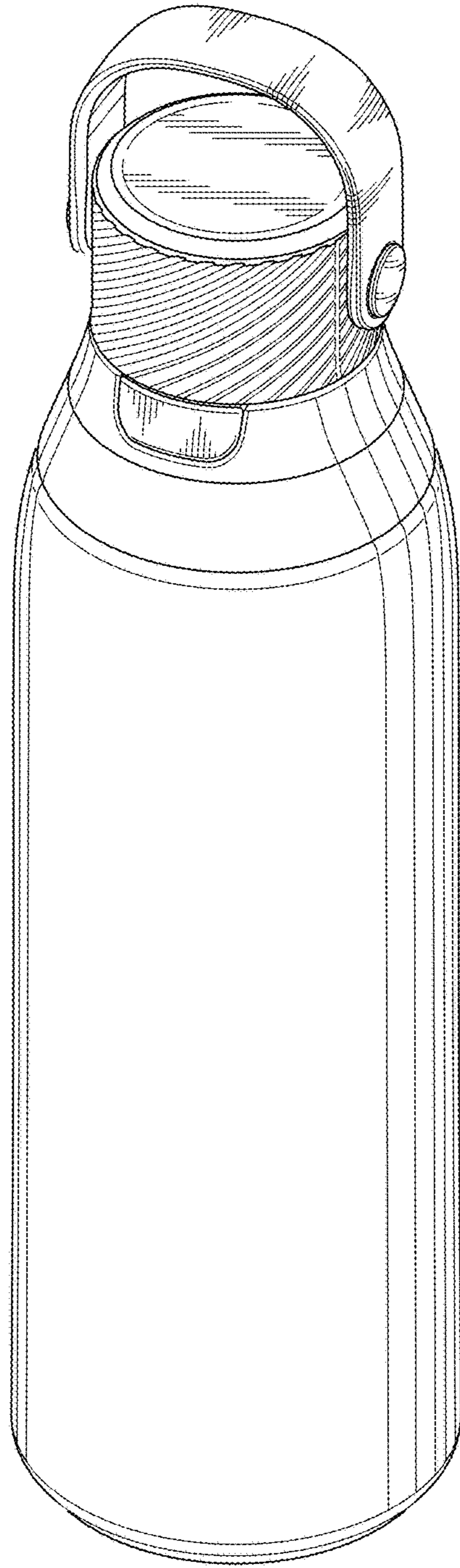
*FIG. 4*



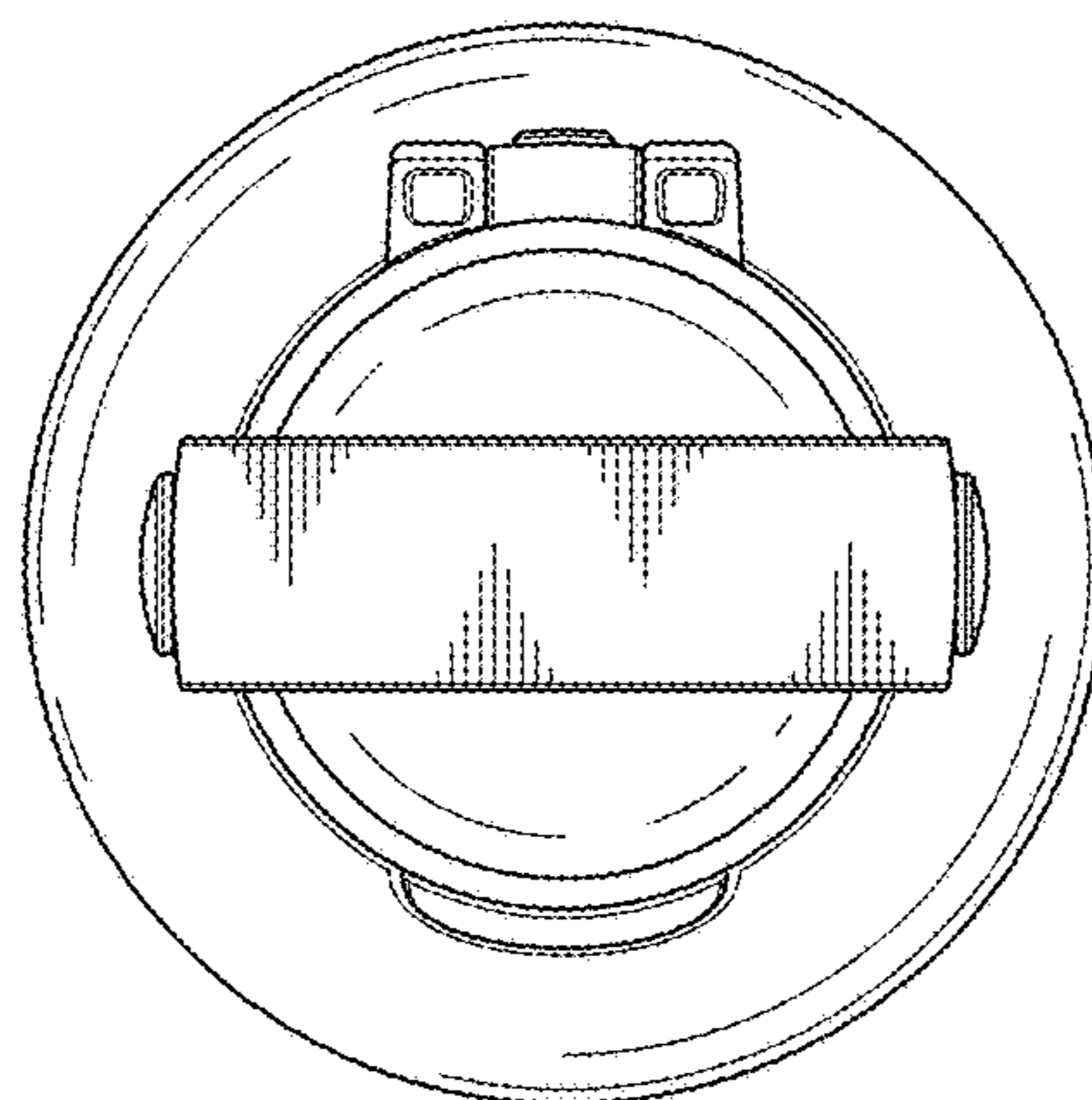
*FIG. 5*



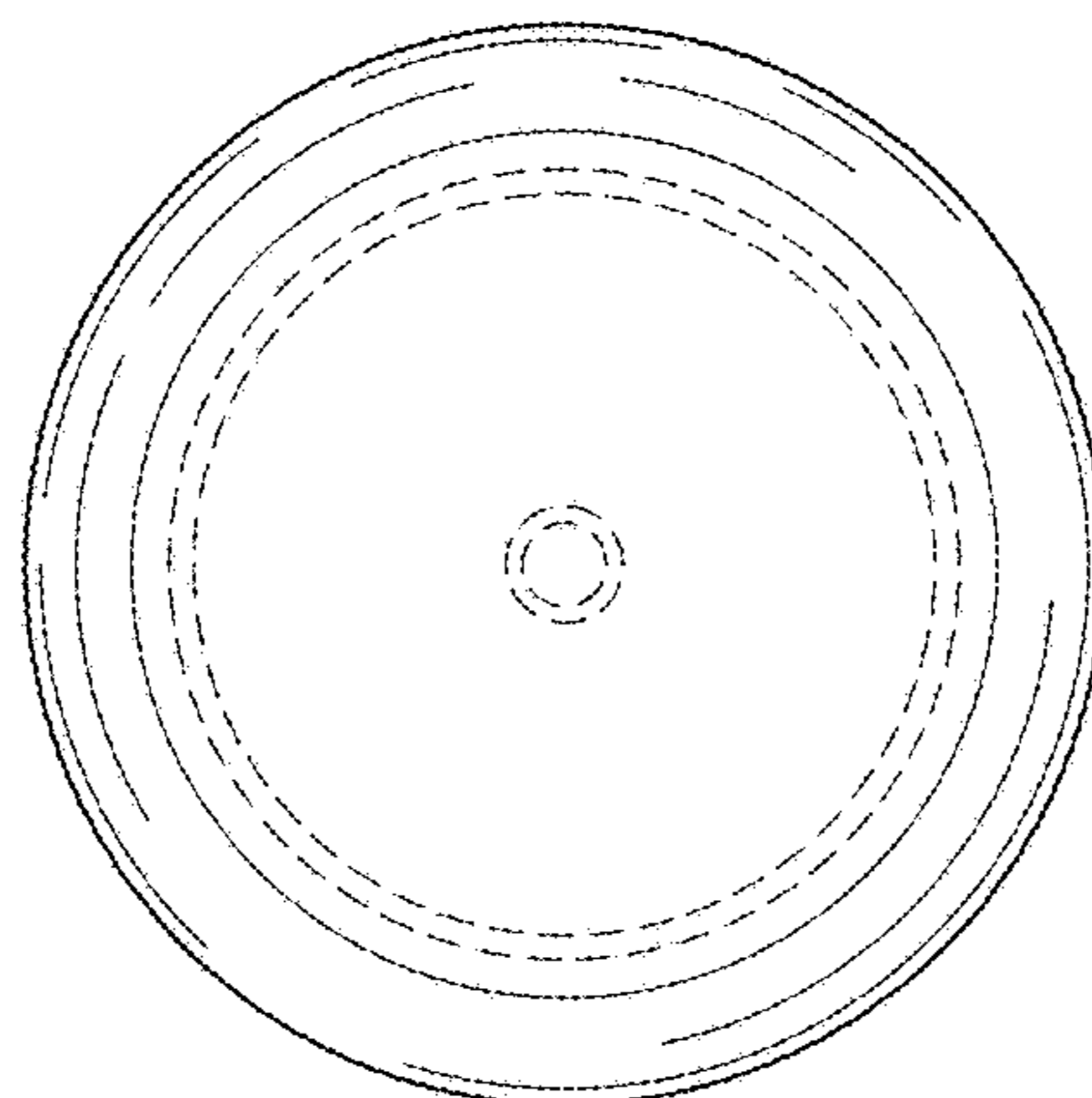
**FIG. 6**



*FIG. 7*

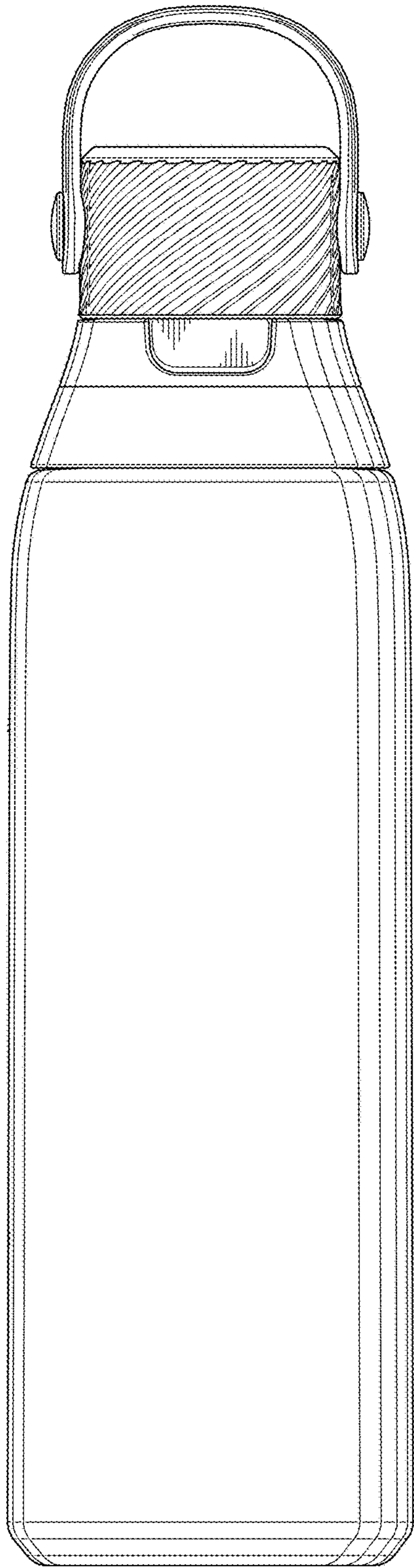


*FIG. 8*

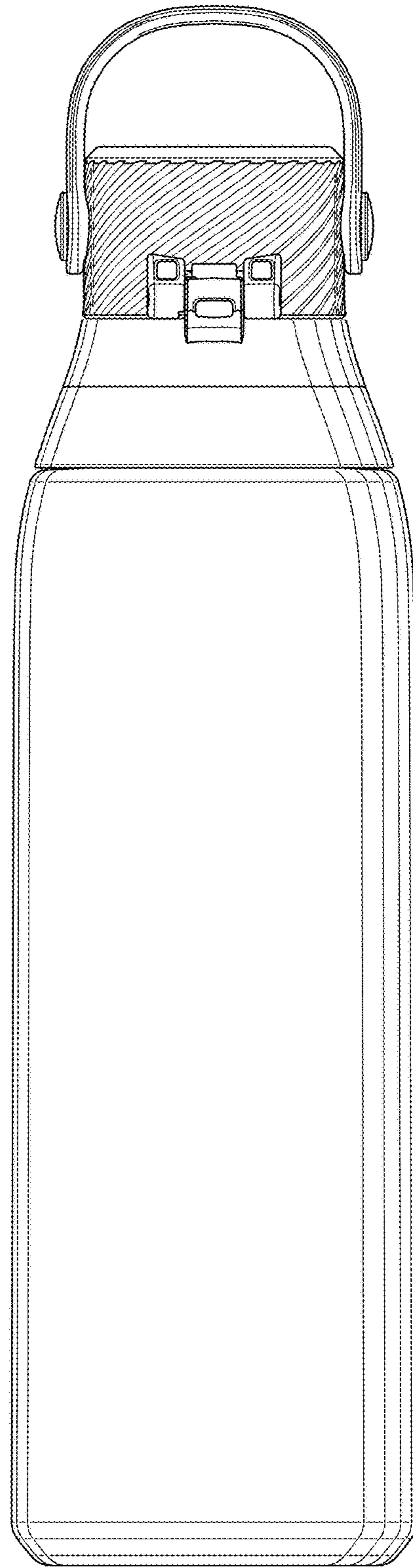


*FIG. 9*

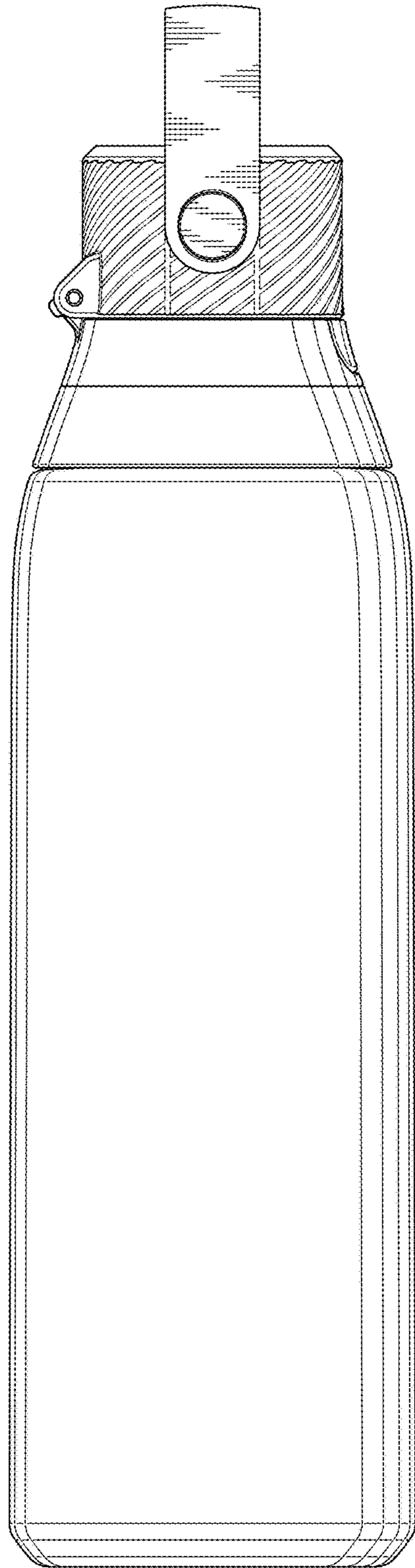




*FIG. 10*



*FIG. 11*



*FIG. 12*