



US00D857455S

(12) **United States Design Patent** (10) **Patent No.:** **US D857,455 S**
Plott et al. (45) **Date of Patent:** **** Aug. 27, 2019**

(54) **BEVERAGE CONTAINER**

(71) Applicant: **Flipsi, Ltd.**, Clay, MI (US)
(72) Inventors: **Jeffrey S. Plott**, Clay, MI (US);
Christopher J. Plott, Dexter, MI (US)
(73) Assignee: **FLIPSI, LTD.**, Clay, MI (US)
(**) Term: **15 Years**

(21) Appl. No.: **29/639,041**

(22) Filed: **Mar. 2, 2018**

Related U.S. Application Data

(62) Division of application No. 29/594,428, filed on Feb. 17, 2017, now Pat. No. Des. 811,814, which is a division of application No. 29/538,499, filed on Sep. 3, 2015, now Pat. No. Des. 779,882.

(51) **LOC (12) Cl.** **07-01**

(52) **U.S. Cl.**
USPC **D7/507; D7/624.2; D7/529; D7/396.2**

(58) **Field of Classification Search**

USPC D7/505, 507, 509, 510, 511, 514, 515,
D7/523, 533, 534, 535, 536, 392.1, 396.3,
D7/400, 564, 577, 571, 569, 556, 656,
D7/654, 642, 607, 603, 602, 624.1, 624.2,
D7/680, 397, 398, 213, 403, 396.6, 633,
D7/631, 632, 529, 396.2; 220/200,
220/592.16, 592.17, 495.03; D9/434,
D9/435; D24/197; D19/194; D28/4, 39,
D28/10, 38, 76, 82, 85, 88; D11/143,
D11/144, 391
CPC A47G 19/2205; A47G 19/22; A47G
19/2211; A47G 19/2216; B65D 1/265;
B65D 3/06; A45F 3/20

See application file for complete search history.

(56) **References Cited**

U.S. PATENT DOCUMENTS

2,071,399	A *	2/1937	Gambell	A47G 23/0216
				215/394
D140,658	S	3/1945	Erbe	
3,760,972	A	9/1973	McKirnan	
D260,078	S	8/1981	Casoni	
D302,403	S	7/1989	Heras	
D304,988	S *	12/1989	Omlie	D7/503
D312,968	S *	12/1990	Wolff	D7/602
D328,429	S *	8/1992	Ben-Uri	D9/444
D362,998	S *	10/1995	Muller	D7/397
D364,358	S	11/1995	Bransky	
D371,963	S *	7/1996	Ahern, Jr.	D7/602
D379,429	S	5/1997	Weiss	
D419,370	S *	1/2000	Busick	D7/392
6,053,363	A *	4/2000	Revenu	B05B 11/0038
				222/82
D436,038	S *	1/2001	Ruiz de Gopegui	D9/448
6,332,704	B1	12/2001	Gasser	

(Continued)

Primary Examiner — Marianne N Pandozzi

Assistant Examiner — Jae Liang

(74) *Attorney, Agent, or Firm* — Foley & Lardner LLP

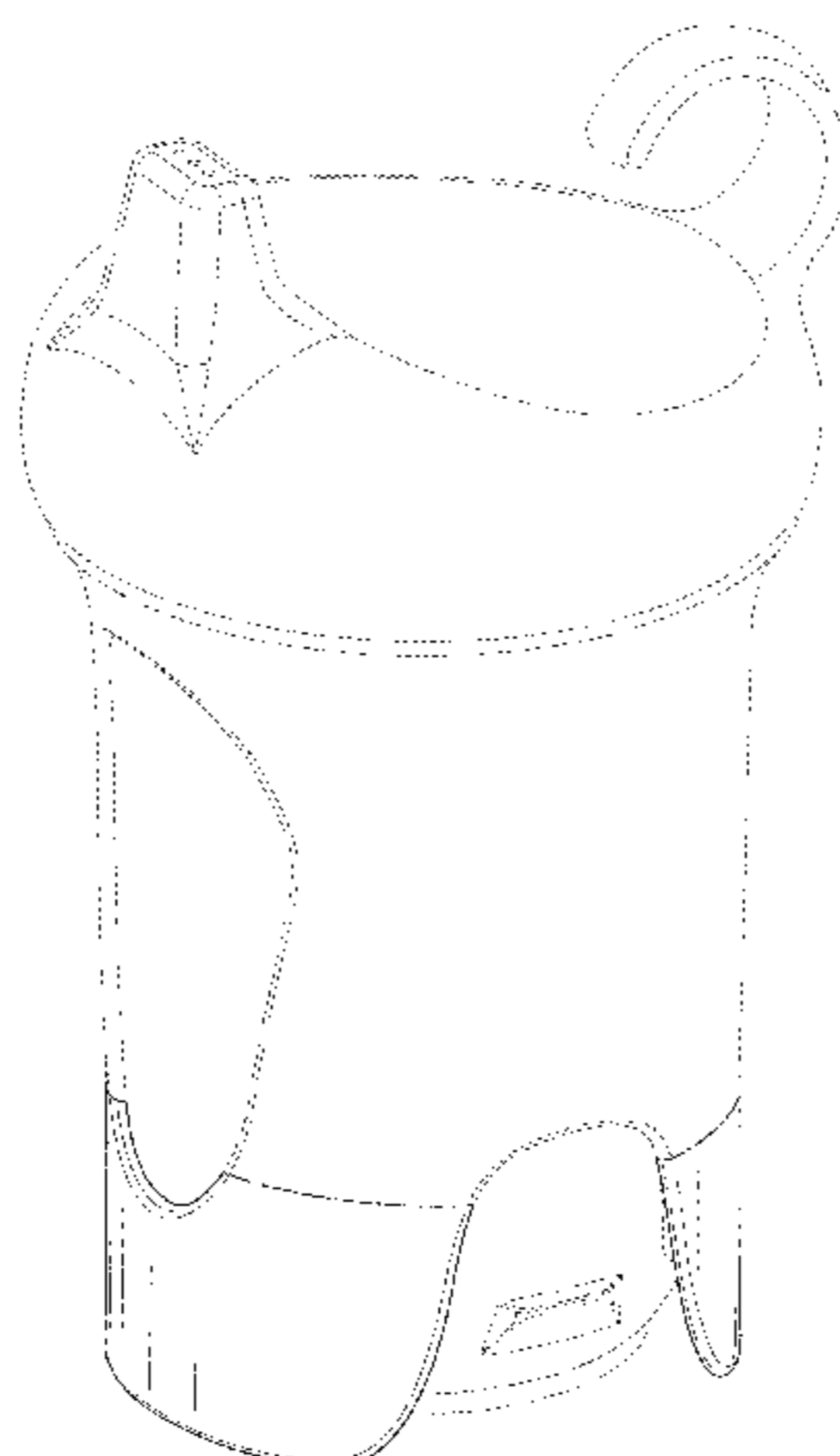
(57) **CLAIM**

We claim the ornamental design for a beverage container, as shown and described.

DESCRIPTION

FIG. 1 is a top, front, right perspective view of a beverage container showing our new design;
FIG. 2 is a front elevation view thereof;
FIG. 3 is a rear elevation view thereof;
FIG. 4 is a right side elevation view thereof; and,
FIG. 5 is a left side elevation view thereof.
The broken lines in the drawings depict portions of the beverage container that form no part of the claimed design.

(Continued)



The dash-dot lines in the drawings depict bounds of the claimed design that form no part of the claimed design.

1 Claim, 5 Drawing Sheets

(56)

References Cited

U.S. PATENT DOCUMENTS

6,543,637 B1 * 4/2003 Osborn A47G 23/0216
220/737
D477,184 S * 7/2003 Latapi D7/509
6,644,846 B2 11/2003 Willat
D501,361 S * 2/2005 Tollman D7/510
D508,187 S * 8/2005 Dais D7/602
D511,458 S 11/2005 Dunwoody
D528,863 S 9/2006 Hayes
D535,520 S * 1/2007 Cundieff D7/396.2
D538,939 S 3/2007 Conaway
D547,606 S * 7/2007 Forsman D7/391
D547,653 S * 7/2007 Wong D9/444
D548,587 S 8/2007 DuVal
D552,422 S 10/2007 Dretzka
D556,568 S 12/2007 DuVal
D572,130 S * 7/2008 Campbell D9/435
D581,737 S * 12/2008 Starck D7/396.2
D582,724 S 12/2008 Dretzka
D595,982 S * 7/2009 Krus D6/542
D596,034 S * 7/2009 Rauschert D28/76
D601,429 S * 10/2009 Handy D9/520
D602,739 S * 10/2009 Fairfield D7/509
D608,589 S * 1/2010 Ingman D7/509
D615,356 S 5/2010 Hillebrenner
D620,791 S 8/2010 Grajcar
D625,562 S * 10/2010 McClellan D7/509
D634,165 S * 3/2011 Yang D7/603
D635,823 S * 4/2011 Mauffette D7/368
D644,334 S 8/2011 Py
D648,185 S * 11/2011 Sanders D7/624.2

D651,513 S * 1/2012 Baker D9/435
D655,618 S 3/2012 Oates
D663,038 S 7/2012 Enghard
8,215,601 B2 * 7/2012 Downs A47G 23/0225
224/414
D669,353 S * 10/2012 Cohen D9/434
D669,751 S * 10/2012 Kent D7/700
D674,276 S * 1/2013 Cohen D9/434
D686,041 S * 7/2013 Sanders D7/624.2
D686,740 S 7/2013 Boonprasop
D692,765 S 11/2013 Oates
D692,766 S 11/2013 Oates
D698,090 S * 1/2014 Smith D28/76
D699,996 S * 2/2014 De Leo D7/300.1
D724,906 S * 3/2015 Kent D7/700
D727,090 S 4/2015 St. Jacques
D730,694 S 6/2015 Elsaden
9,049,951 B2 * 6/2015 Keys A47G 23/0316
D740,072 S 10/2015 Eyal
D740,610 S * 10/2015 Eyal D7/509
D753,482 S 4/2016 Serrano
D755,016 S 5/2016 Valderrama
D760,541 S * 7/2016 Kane D7/510
D764,231 S * 8/2016 Szymanski D7/392.1
D767,331 S * 9/2016 Burrows D7/399
D769,370 S * 10/2016 Moeck D19/204
D771,434 S * 11/2016 Burrows D7/399
D771,525 S * 11/2016 Kim D12/133
D779,875 S * 2/2017 Gross D7/397
D779,882 S * 2/2017 Plott D7/510
D789,157 S * 6/2017 Esposito D7/619.1
D811,814 S * 3/2018 Plott D7/396.6
9,950,731 B2 * 4/2018 Kim B62B 9/26
D826,372 S * 8/2018 Shores D23/208
D829,508 S * 10/2018 Bergstrom D7/534
D836,985 S * 1/2019 Otto D7/510
2008/0190948 A1 * 8/2008 Sayasithsena A47G 23/0216
220/737
2014/0305943 A1 * 10/2014 Plott B65D 21/086
220/288

* cited by examiner

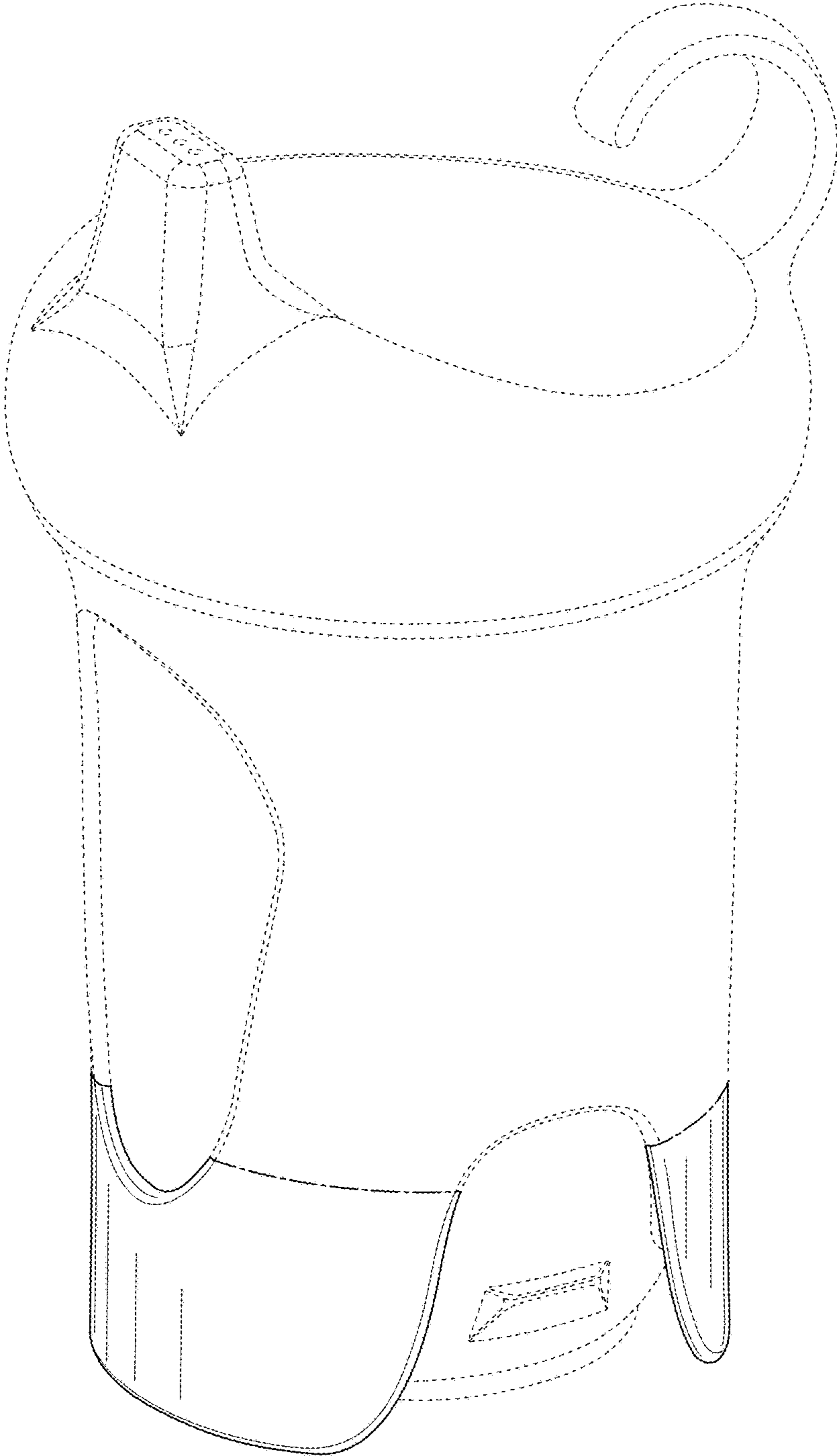


FIG. 1

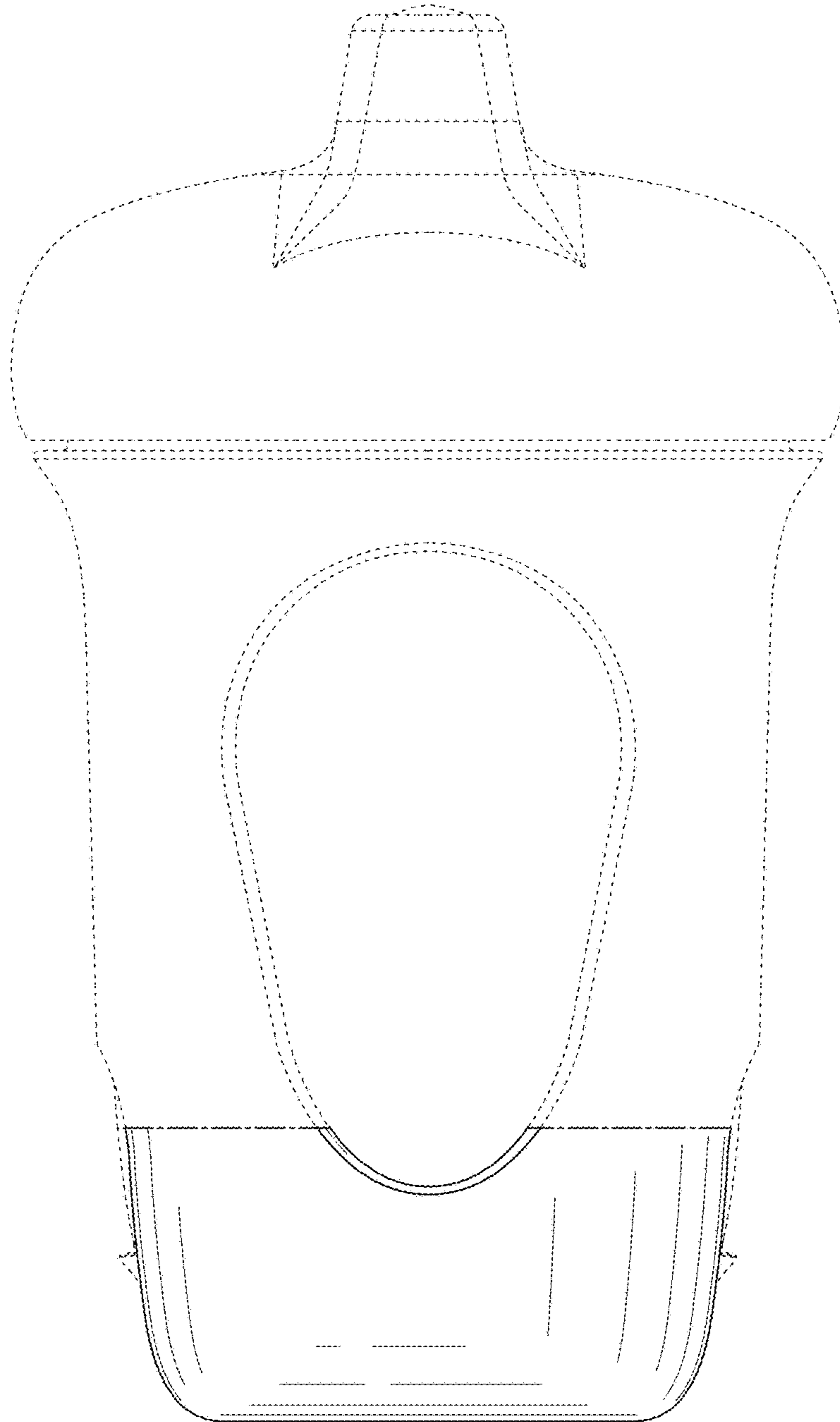


FIG. 2

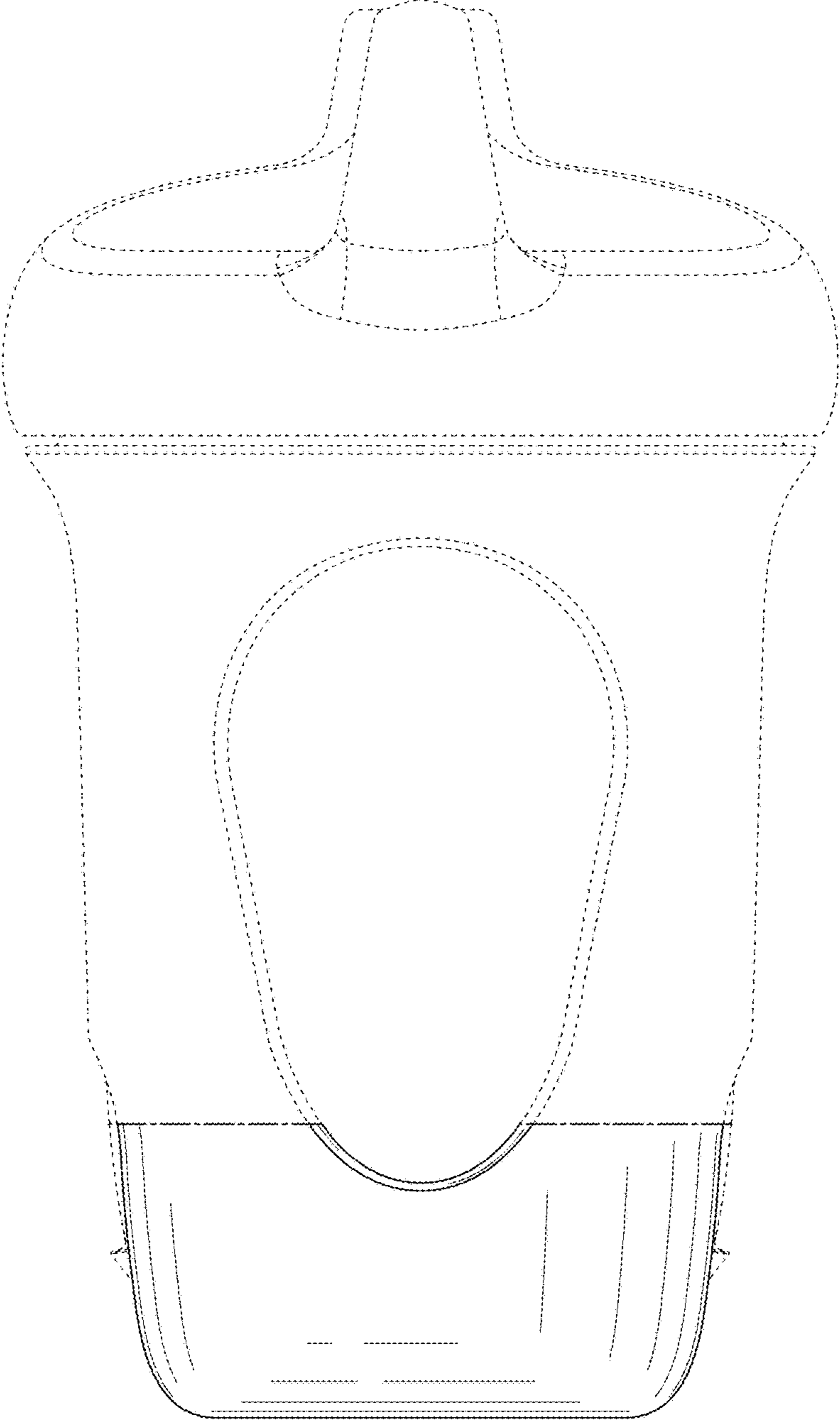


FIG. 3

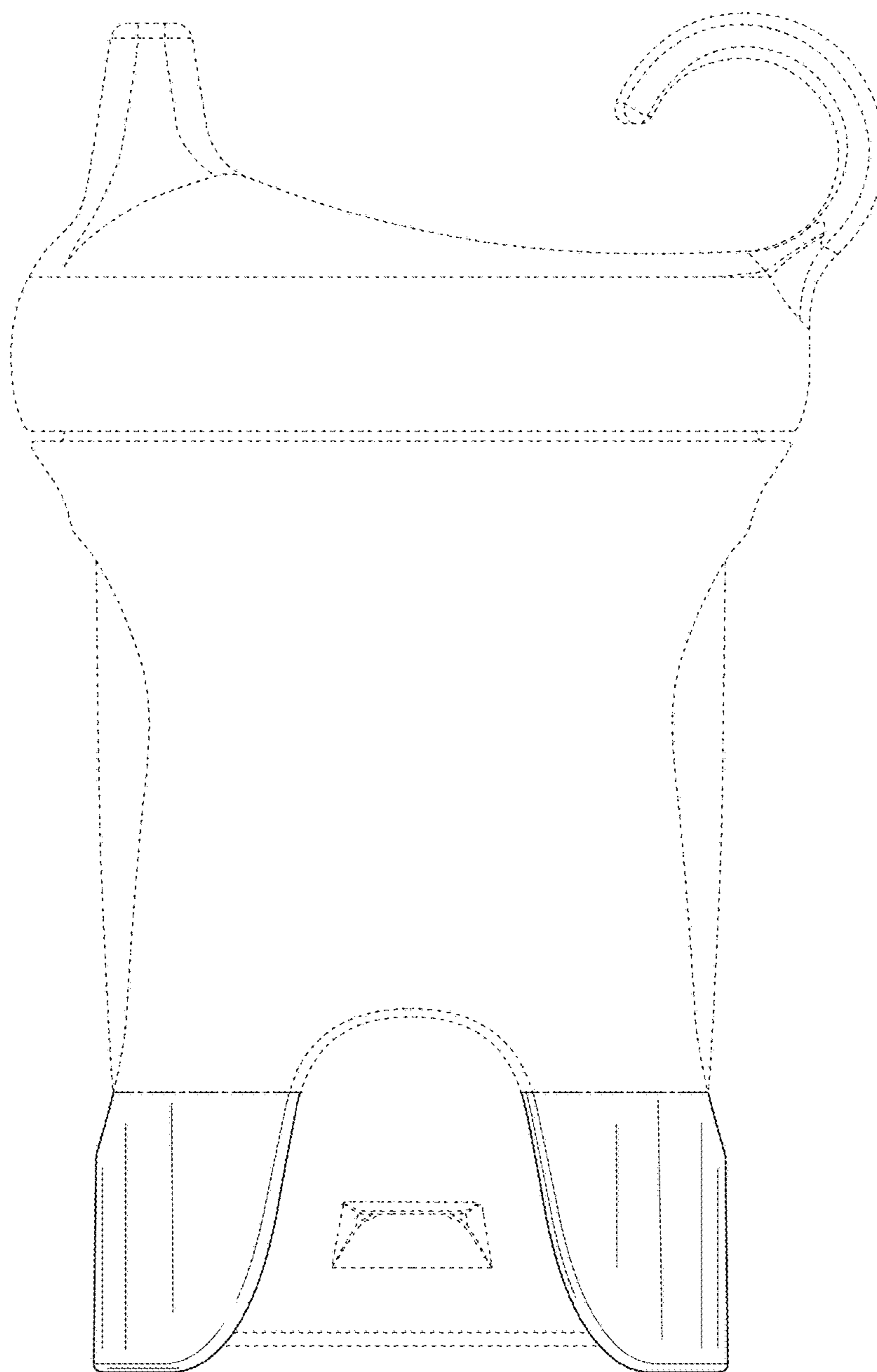


FIG. 4

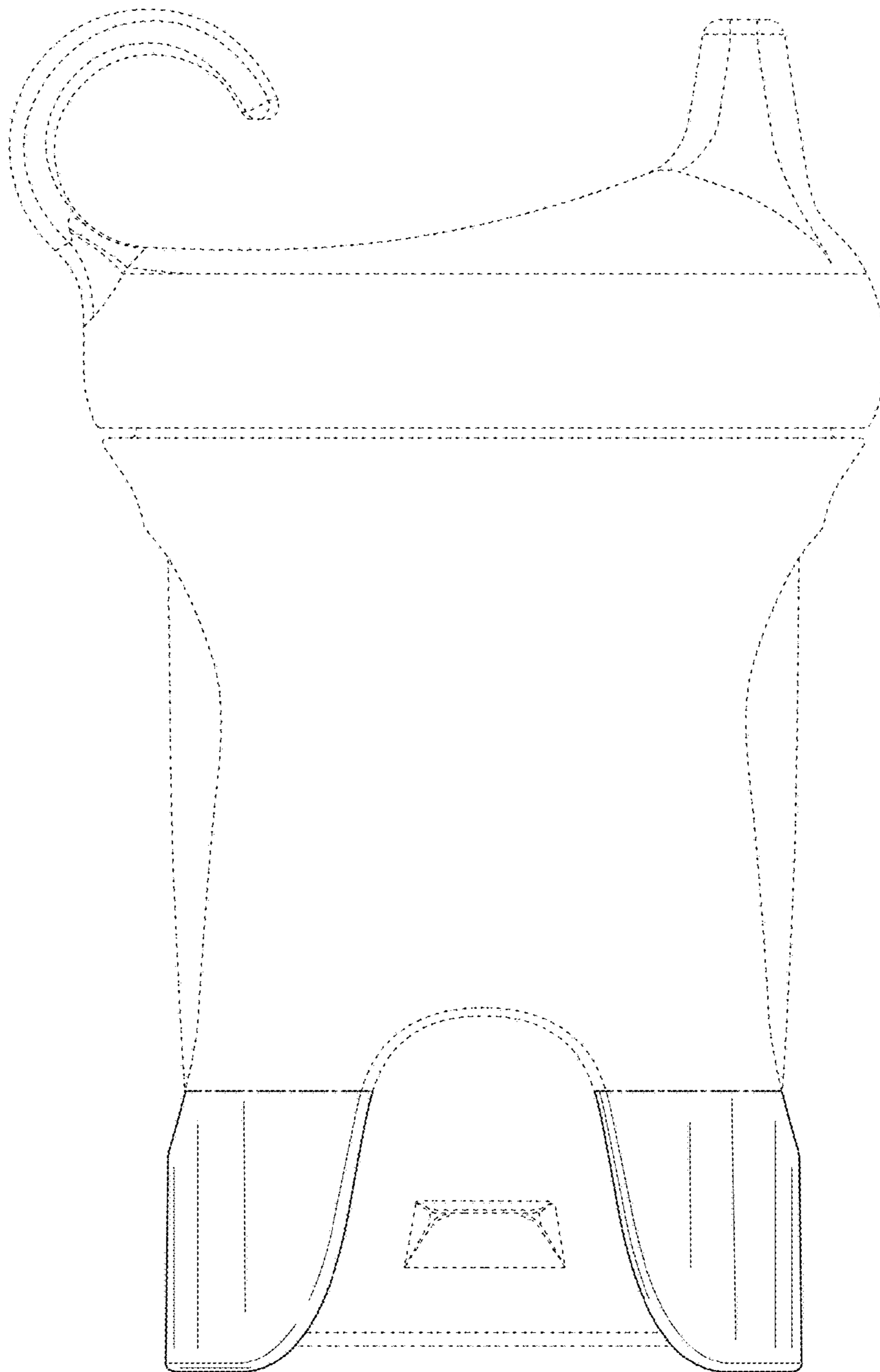


FIG. 5