



US00D857454S

(12) **United States Design Patent**
Makabi

(10) **Patent No.:** **US D857,454 S**

(45) **Date of Patent:** **** Aug. 27, 2019**

(54) **TACO GRIDDLE**

(71) Applicant: **Best Buy Imports, Inc.**, Vernon, CA (US)

(72) Inventor: **Ben Makabi**, Vernon, CA (US)

(**) Term: **15 Years**

(21) Appl. No.: **29/643,603**

(22) Filed: **Apr. 10, 2018**

(51) **LOC (12) Cl.** **07-02**

(52) **U.S. Cl.**

USPC **D7/409**; D7/357; D7/359

(58) **Field of Classification Search**

USPC D7/323, 332, 335-337, 352-357, D7/359-364, 387-388, 402, 407-409, D7/553.5, 637

CPC A21B 2/00; A21B 3/00; A21B 3/13; A21B 3/15; A21B 5/00; A21B 5/02; A23N 12/06; A23N 12/08; A23N 12/10; A47J 37/00; A47J 37/04; A47J 37/041; A47J 37/042; A47J 37/06; A47J 37/0611; A47J 37/0688; A47J 37/0694; A47J 37/07; A47J 37/0704; A47J 37/10; A47J 37/108; A47J 47/20; A47J 2037/00; A47J 2037/06; A47J 2037/0611; A47J 2037/07; A47J 2037/0786; A47J 2037/0795; F24C 15/10; F24C 15/12; F24C 15/14; F24C 15/16; F24C 15/164; F24C 15/18

See application file for complete search history.

(56) **References Cited**

U.S. PATENT DOCUMENTS

1,936,551 A * 11/1933 Garrison A47J 37/10 99/339
3,948,159 A * 4/1976 Vigerstrom A47J 37/0611 99/358

D268,317 S * 3/1983 Wyatt, Jr. D7/553.5
D340,614 S * 10/1993 Kaeding D7/354
5,967,022 A * 10/1999 Moschella A47J 37/108 220/731
D492,538 S * 7/2004 Cheng D7/357
D549,515 S * 8/2007 Curtin A47J 37/108 D7/352
D711,196 S * 8/2014 May A47J 37/0611 D7/637
D746,628 S * 1/2016 Nagrani A47J 37/10 D7/354
D793,800 S * 8/2017 Tsai D7/354
D802,354 S * 11/2017 Xiong D7/357
D804,238 S * 12/2017 Xiong D7/359
D830,109 S * 10/2018 Xiong D7/359

* cited by examiner

Primary Examiner — Ricky Pham

(74) *Attorney, Agent, or Firm* — Dykema Gossett PLLC

(57) **CLAIM**

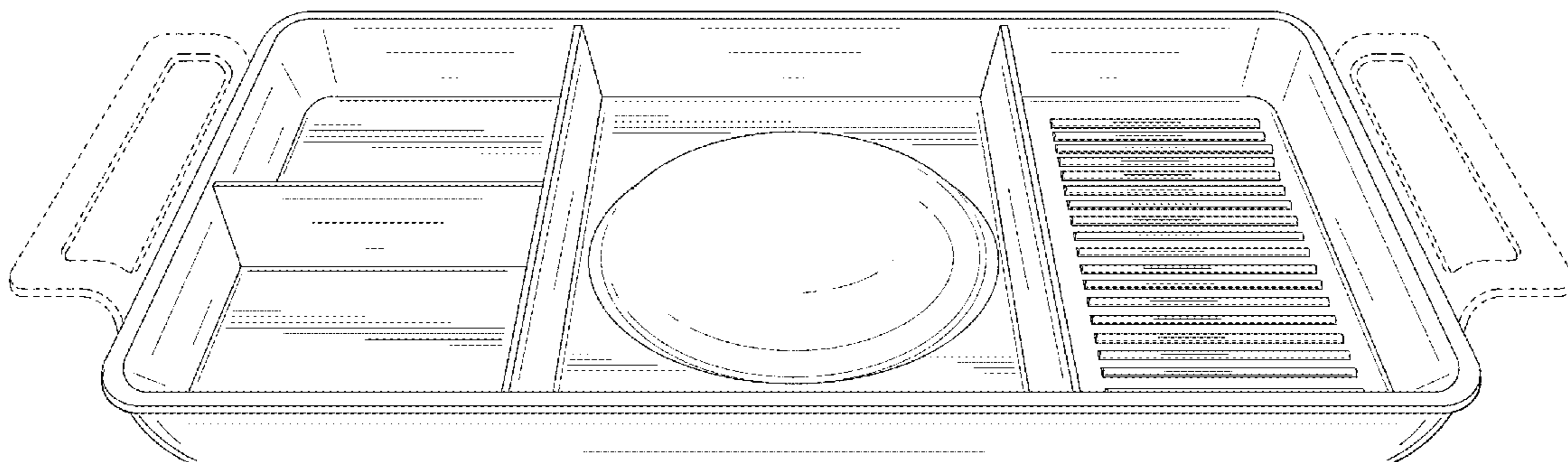
An ornamental design for a taco griddle, as shown and described.

DESCRIPTION

FIG. 1 is a perspective top view of a taco griddle according to my new and ornamental design, FIG. 2 is a top plan view thereof, FIG. 3 is a bottom plan view thereof, FIG. 4 is an elevational side view thereof, the opposite side view being a mirror image; and, FIG. 5 is an elevational end view thereof, the opposite end view being a mirror image.

The broken lines in FIGS. 1-5 represent features which are not part of the claimed taco griddle.

1 Claim, 4 Drawing Sheets



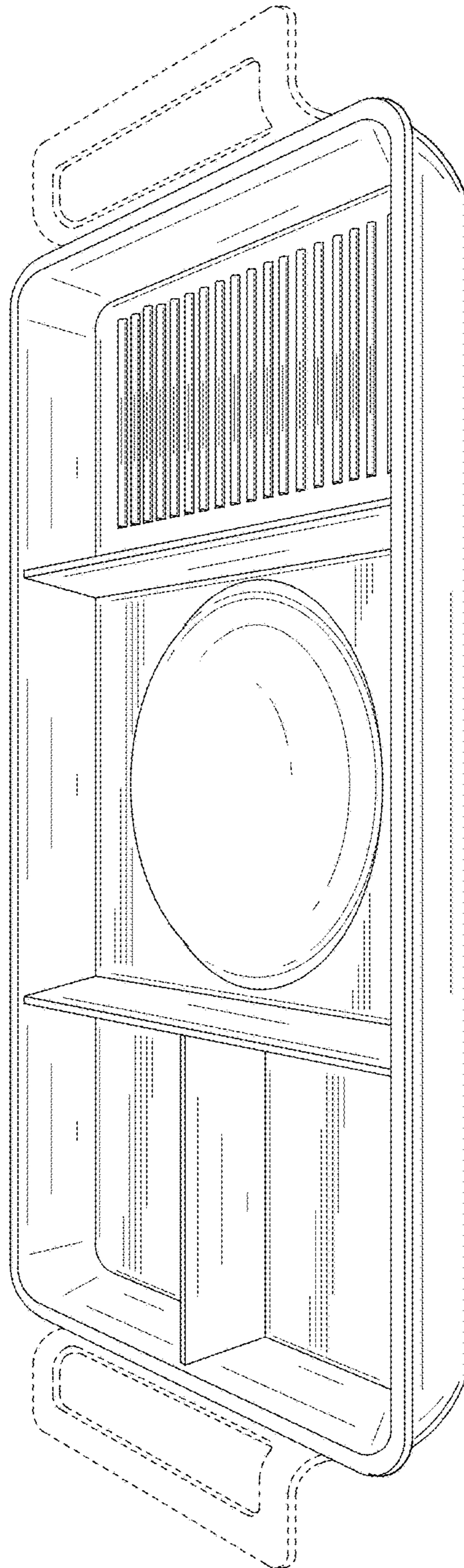


FIG. 1

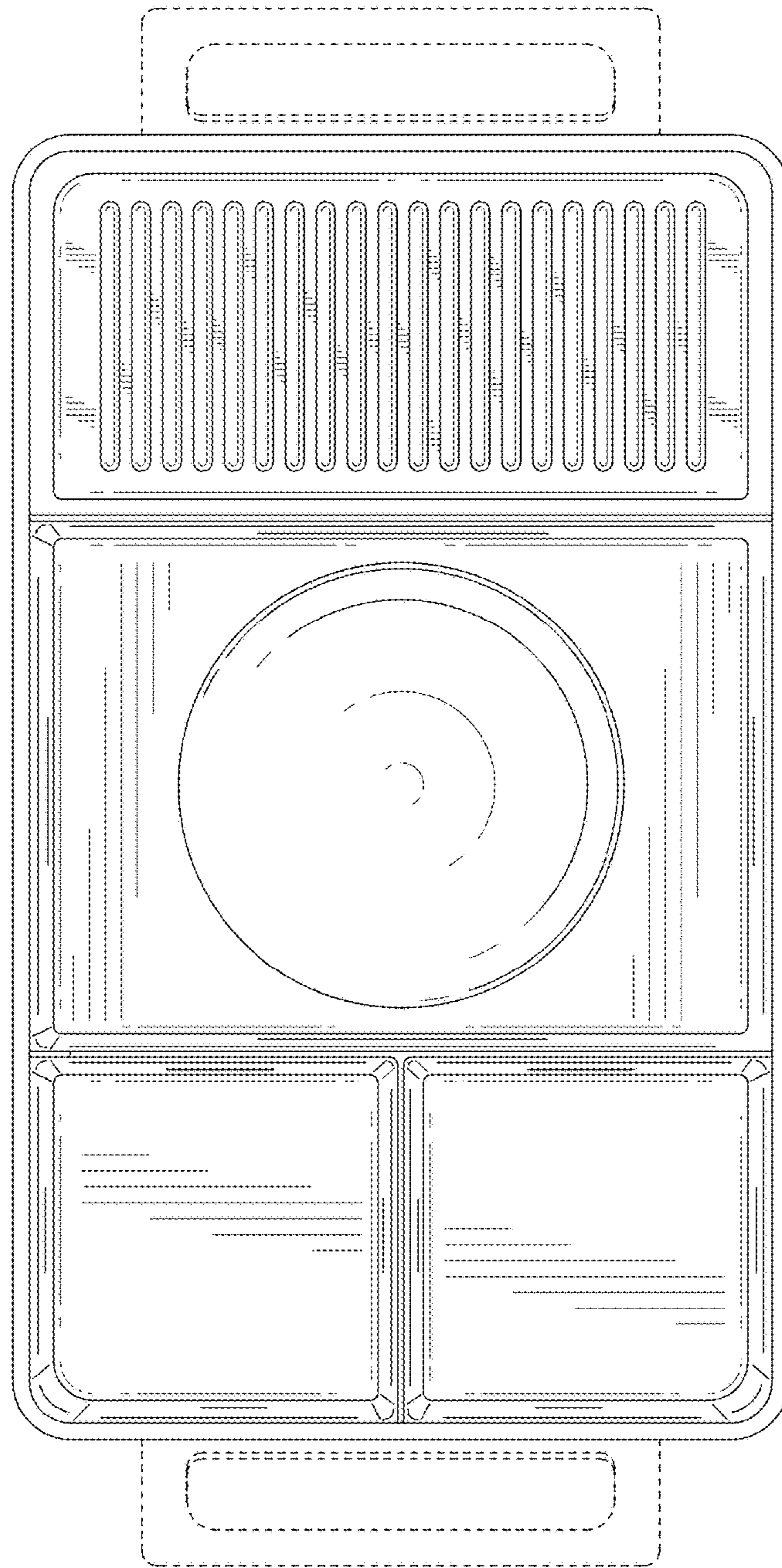


FIG. 2

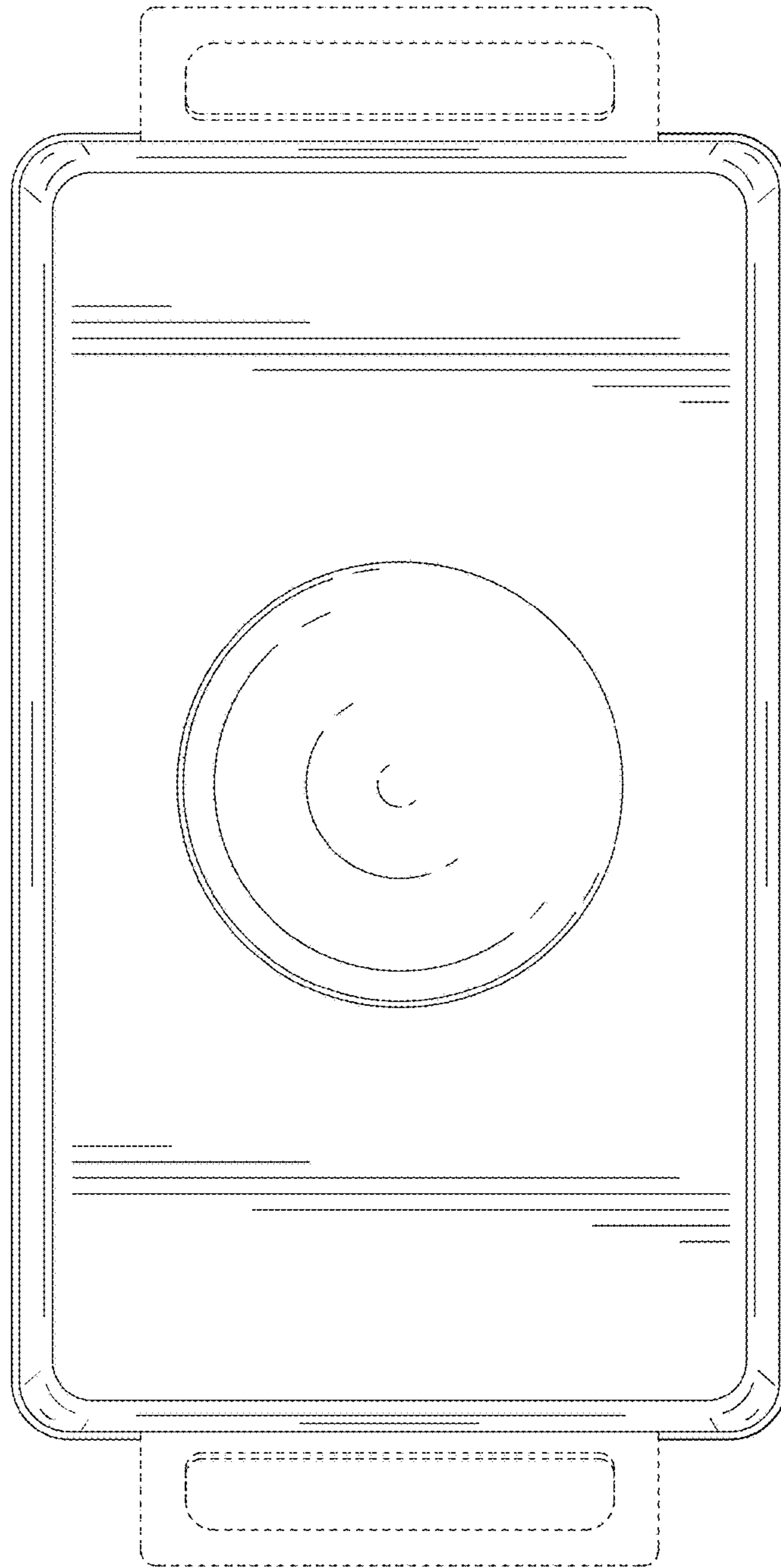


FIG. 3

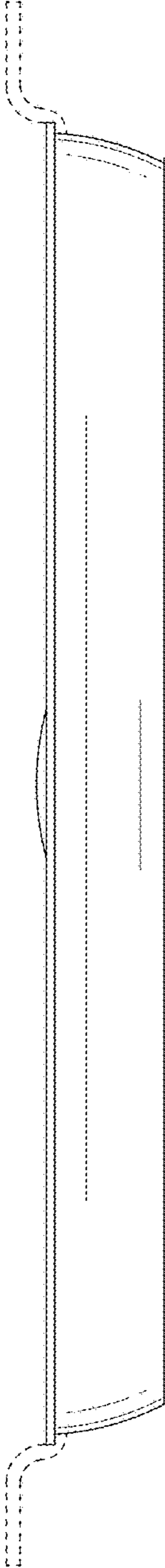


FIG. 4

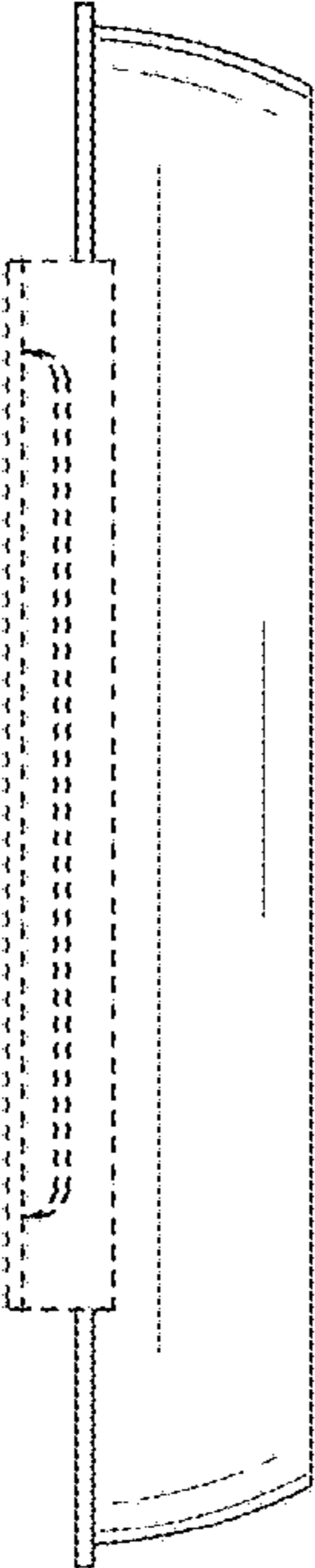


FIG. 5