



US00D857453S

(12) **United States Design Patent** (10) **Patent No.:** **US D857,453 S**  
**Keck et al.** (45) **Date of Patent:** **\*\* Aug. 27, 2019**

(54) **COOKING GRID FOR A GRILL**  
(71) Applicant: **R.H. Peterson Co.**, City of Industry, CA (US)  
(72) Inventors: **David E. Keck**, Rancho Cucamonga, CA (US); **David McCullough**, Rancho Cucamonga, CA (US); **Boris Gorelik**, West Hollywood, CA (US); **Jon Bridgewater**, Shawnee, KS (US)  
(73) Assignee: **R.H. PETERSON CO.**, City of Industry, CA (US)  
(\*\*) Term: **15 Years**  
(21) Appl. No.: **29/617,123**  
(22) Filed: **Sep. 12, 2017**  
(51) **LOC (12) Cl.** ..... **07-02**  
(52) **U.S. Cl.**  
USPC ..... **D7/409**  
(58) **Field of Classification Search**  
USPC ..... D6/606, 682.4, 703, 706; D7/323, 332, D7/335-337, 346, 354-355, 359-364, D7/367, 387-388, 402, 407-409, 698; D13/122; D23/365  
CPC .... A21B 2/00; A21B 3/00; A21B 3/13; A21B 3/15; A21B 5/00; A21B 5/02; A23N 12/06; A23N 12/08; A23N 12/10; A47J 37/00; A47J 37/04; A47J 37/041; A47J 37/042; A47J 37/06; A47J 37/067; A47J 37/0682; A47J 37/0688; A47J 37/0694; A47J 37/07; A47J 37/0704; A47J 37/10; A47J 47/20; A47J 2037/00; A47J 2037/06; A47J 2037/0611; A47J 2037/07; A47J 2037/0786; A47J 2037/0795; F24C 15/10; F24C 15/12; F24C 15/14; F24C 15/16; F24C 15/164; F24C 15/18; H01M 8/0204; H05B 3/70

See application file for complete search history.

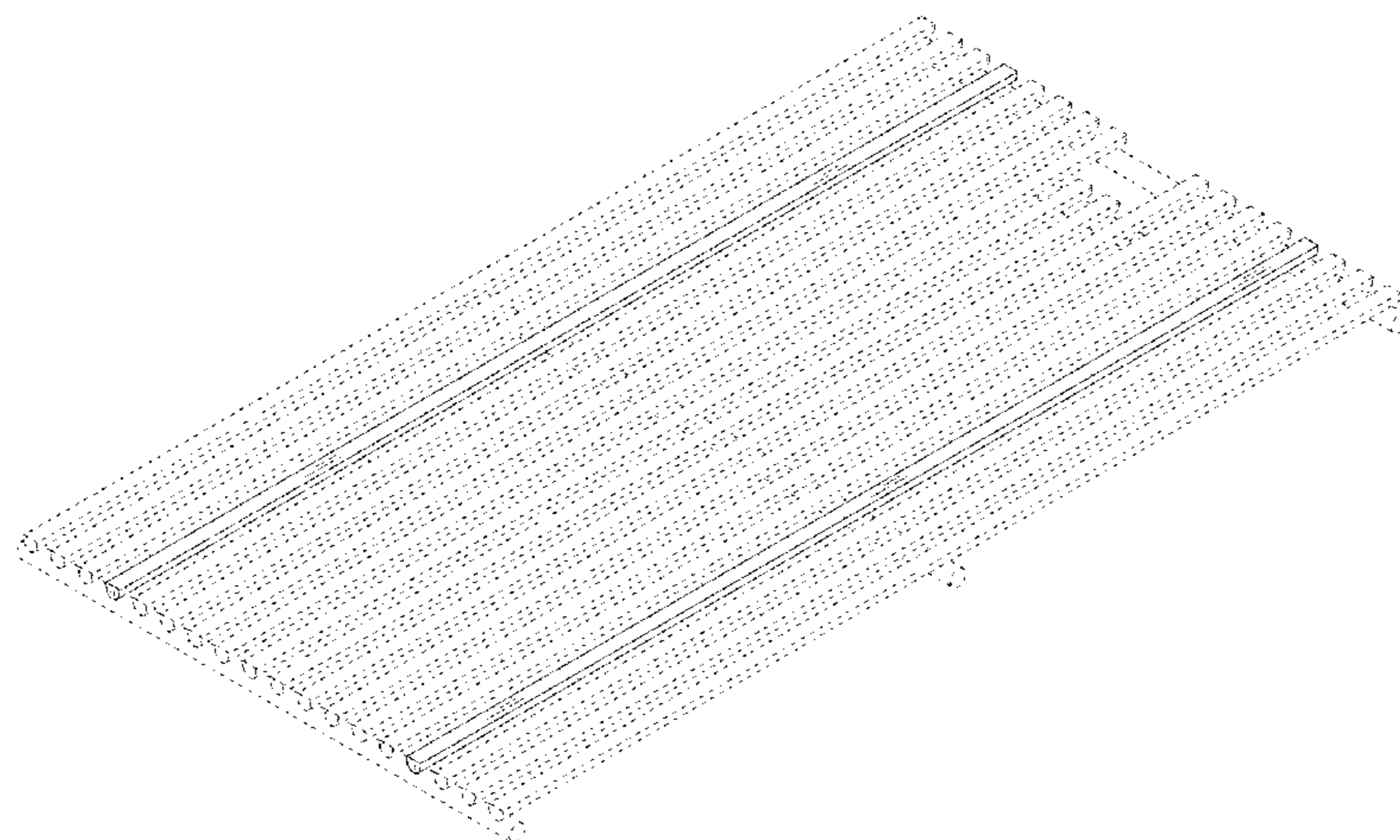
(56) **References Cited**  
U.S. PATENT DOCUMENTS  
D188,501 S \* 8/1960 Wood ..... D7/359  
3,308,747 A \* 3/1967 Spagnolo ..... A47J 37/067  
99/400

(Continued)  
*Primary Examiner* — Ricky Pham  
(74) *Attorney, Agent, or Firm* — Arent Fox LLP

(57) **CLAIM**  
The ornamental design for a cooking grid for a grill, as shown and described.

**DESCRIPTION**  
FIG. 1 is a front, top left perspective view of a first embodiment of a cooking grid for a grill showing our new design;  
FIG. 2 is a top view of the design shown in FIG. 1;  
FIG. 3 is a bottom view of the design shown in FIG. 1;  
FIG. 4 is a right side perspective view of the design shown in FIG. 1;  
FIG. 5 is a left side view of the design shown in FIG. 1;  
FIG. 6 is a front view of the design shown in FIG. 1;  
FIG. 7 is a back view of the design shown in FIG. 1;  
FIG. 8 is a front, top left perspective view of a second embodiment of a cooking grid for a grill showing our new design;  
FIG. 9 is a top view of the design shown in FIG. 8;  
FIG. 10 is a bottom view of the design shown in FIG. 8;  
FIG. 11 is a right side view of the design shown in FIG. 8;  
FIG. 12 is a left side view of the design shown in FIG. 8;  
FIG. 13 is a front view of the design shown in FIG. 8; and,  
FIG. 14 is a back view of the design shown in FIG. 8.  
The broken lines in the Figures illustrate portions of the cooking grid for a grill that form no part of the claimed design.

**1 Claim, 14 Drawing Sheets**



(56)

**References Cited**

## U.S. PATENT DOCUMENTS

3,369,481 A \* 2/1968 Pappas ..... A47J 37/0682  
99/445  
4,403,541 A \* 9/1983 Berger ..... A47J 37/067  
29/433  
5,105,725 A \* 4/1992 Haglund ..... A47J 37/0704  
126/25 R  
5,467,691 A \* 11/1995 Koziol ..... A47J 37/0694  
99/340  
D364,995 S \* 12/1995 Koziol ..... D7/409  
5,488,897 A \* 2/1996 Snyder ..... A47J 37/067  
99/425  
D370,387 S \* 6/1996 Dorvall ..... D7/332  
D401,451 S \* 11/1998 Sherman ..... D6/682.4  
D414,074 S \* 9/1999 Jalayer ..... D7/363  
D616,702 S \* 6/2010 Liu ..... D7/409  
D623,135 S \* 9/2010 Yasumoto ..... D13/122  
D655,804 S \* 3/2012 Platt ..... D23/365  
D673,402 S \* 1/2013 Kuzyk ..... D6/703  
D678,010 S \* 3/2013 Sudmalis ..... D7/698  
8,584,580 B2 \* 11/2013 Barrett ..... A47J 37/067  
126/152 R  
D697,337 S \* 1/2014 Young ..... D6/596  
D701,713 S \* 4/2014 Kertesz ..... D6/601  
D704,497 S \* 5/2014 Nordwall ..... D7/346  
8,813,637 B2 \* 8/2014 Worton ..... A47J 37/0694  
99/445  
8,826,809 B2 \* 9/2014 Lee ..... H05B 3/70  
219/543  
D730,110 S \* 5/2015 Louloudakis ..... D7/362  
D783,327 S \* 4/2017 Jackson ..... D6/706  
9,814,352 B2 \* 11/2017 Ahmed ..... A47J 37/067  
2003/0022052 A1 \* 1/2003 Kearl ..... H01M 8/0204  
429/423

\* cited by examiner

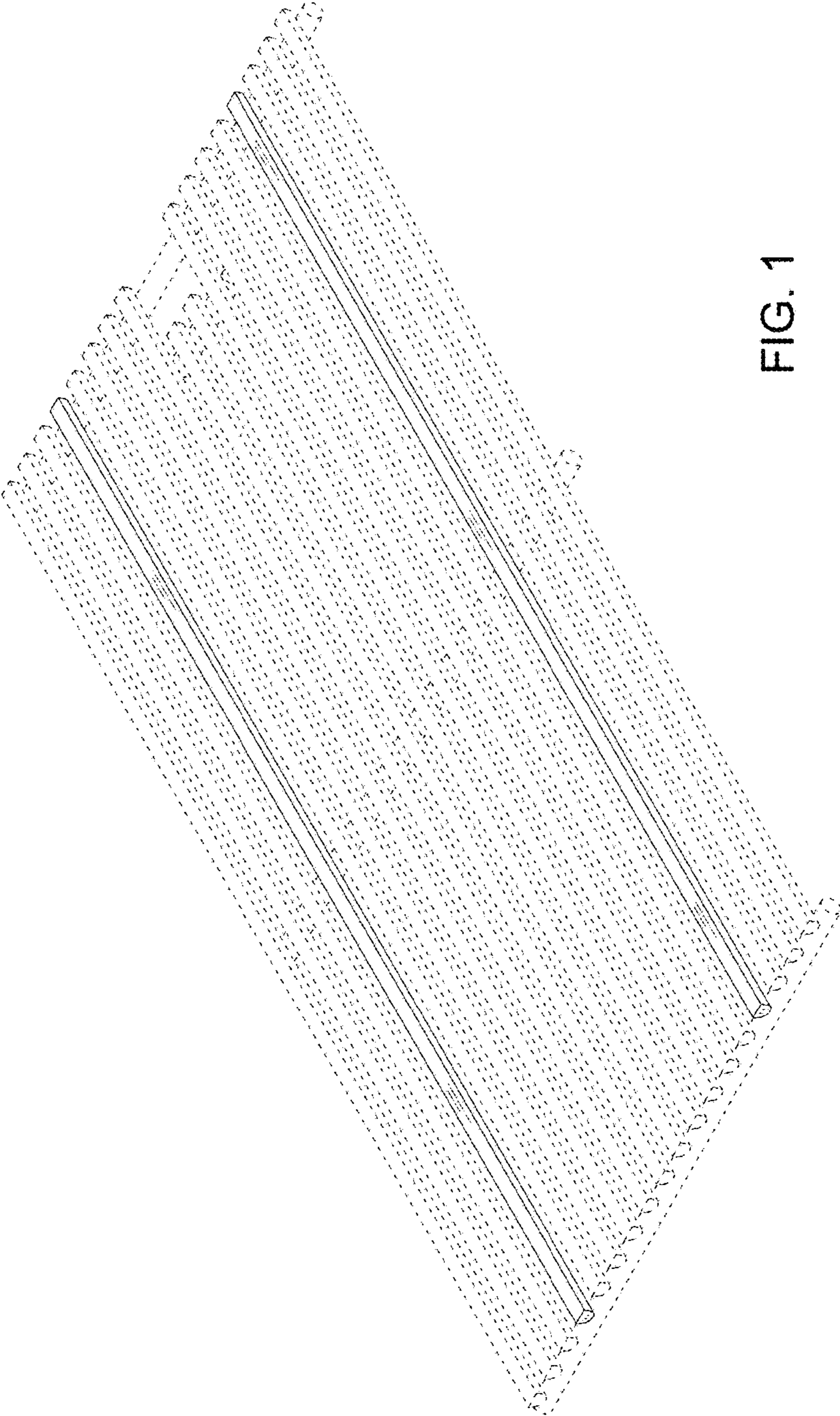


FIG. 1

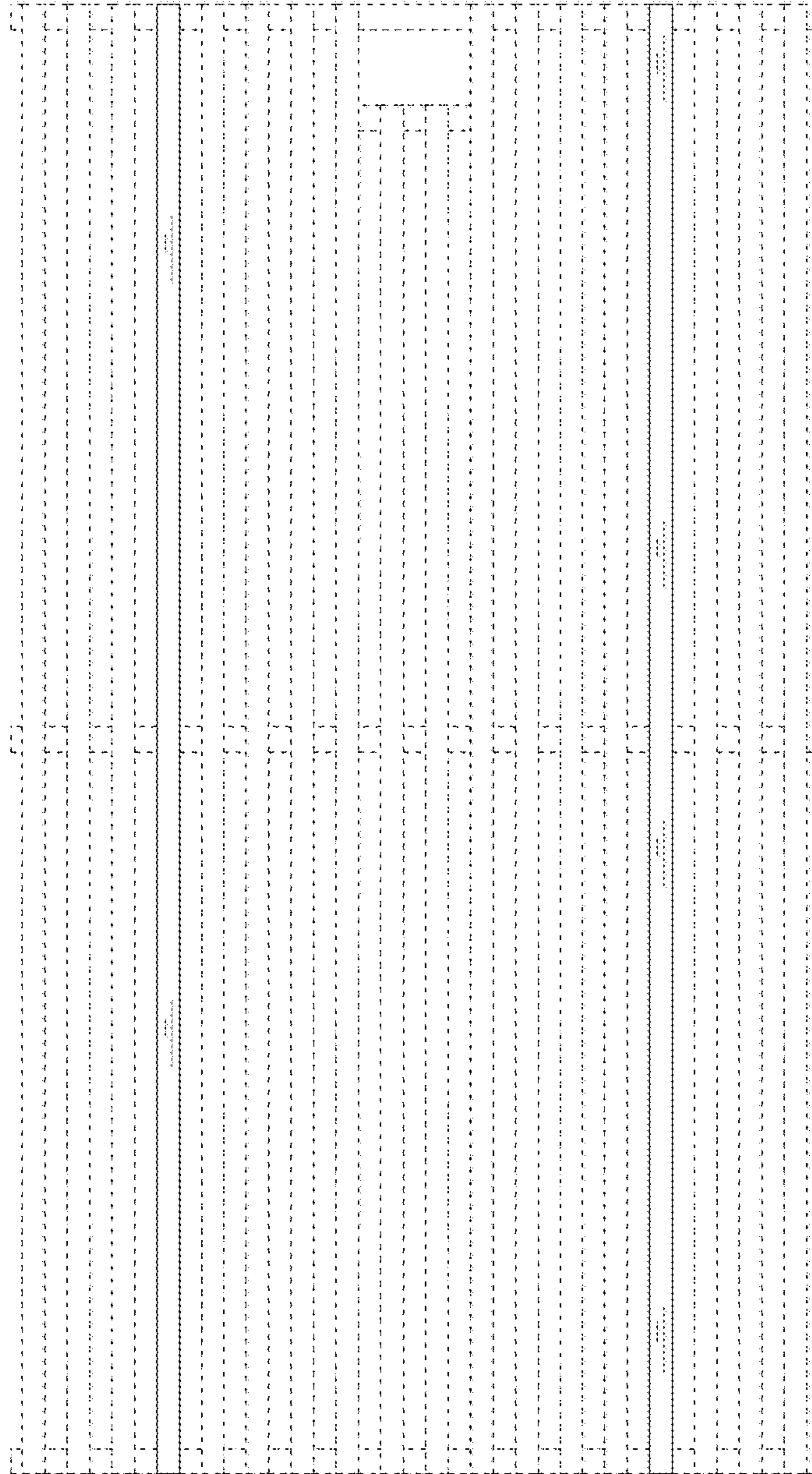


FIG. 2

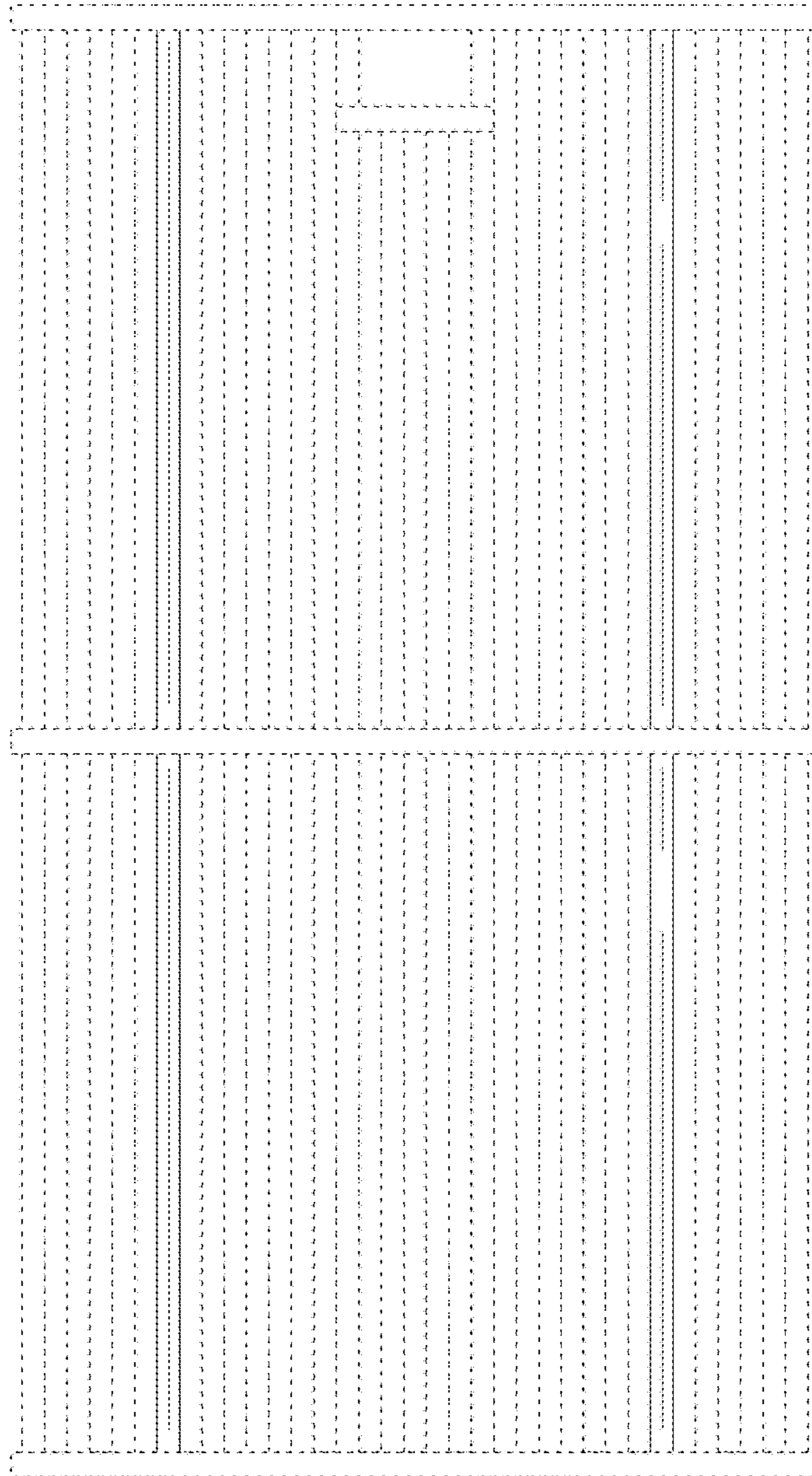


FIG. 3

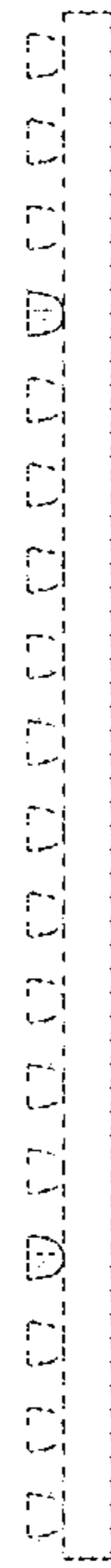


FIG. 4

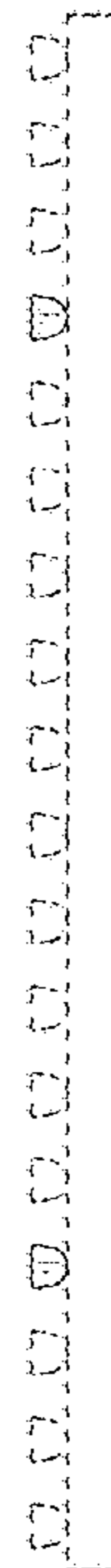


FIG. 5

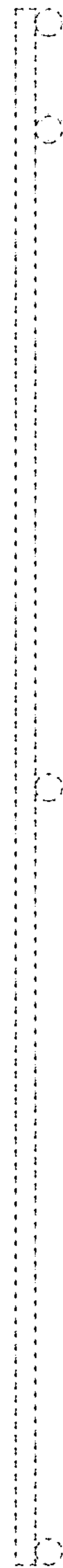


FIG. 6



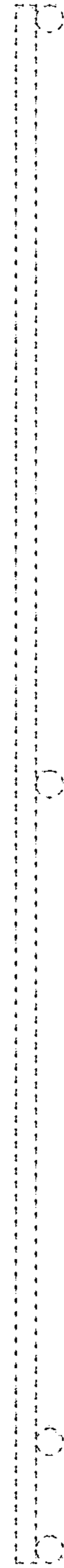


FIG. 7

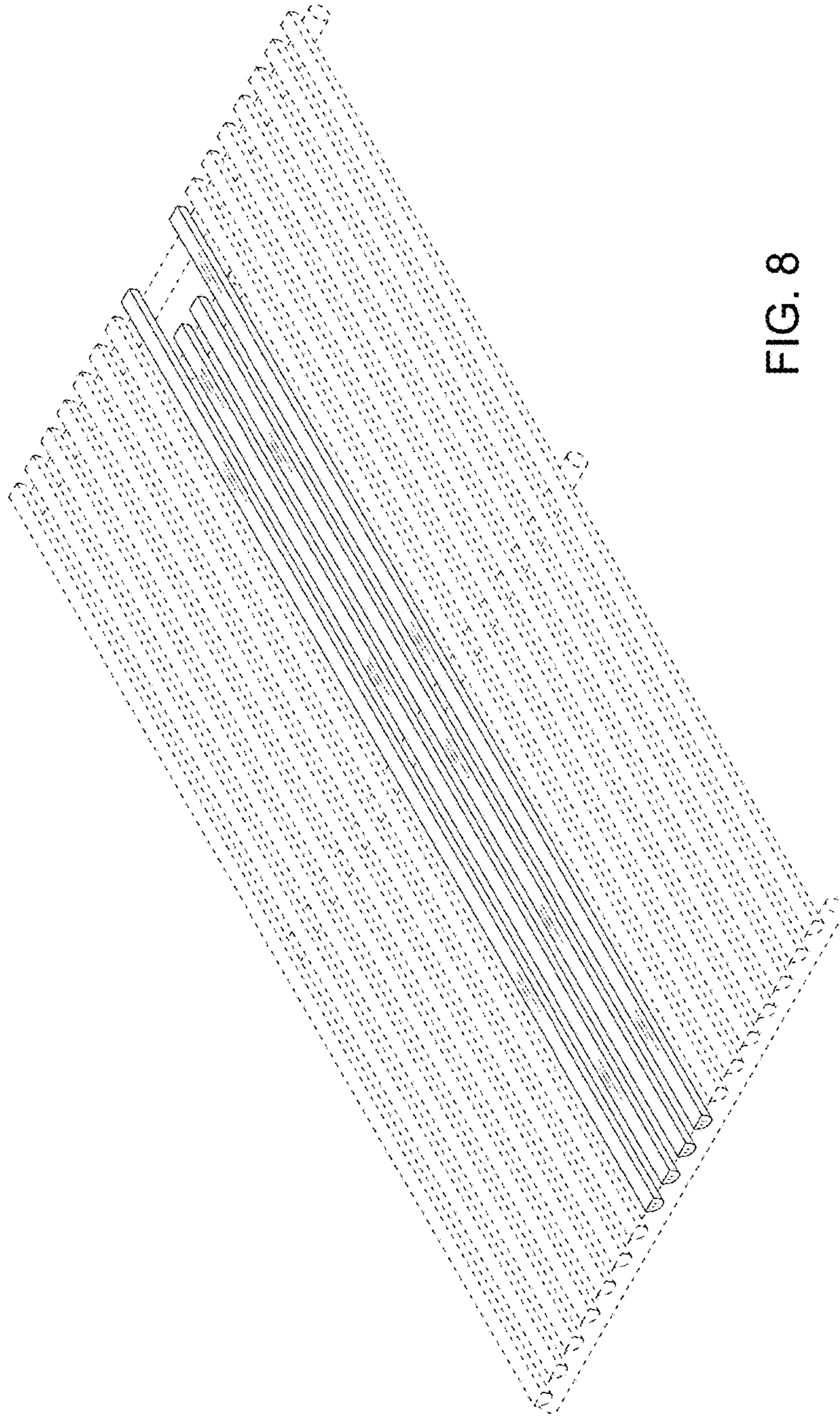


FIG. 8

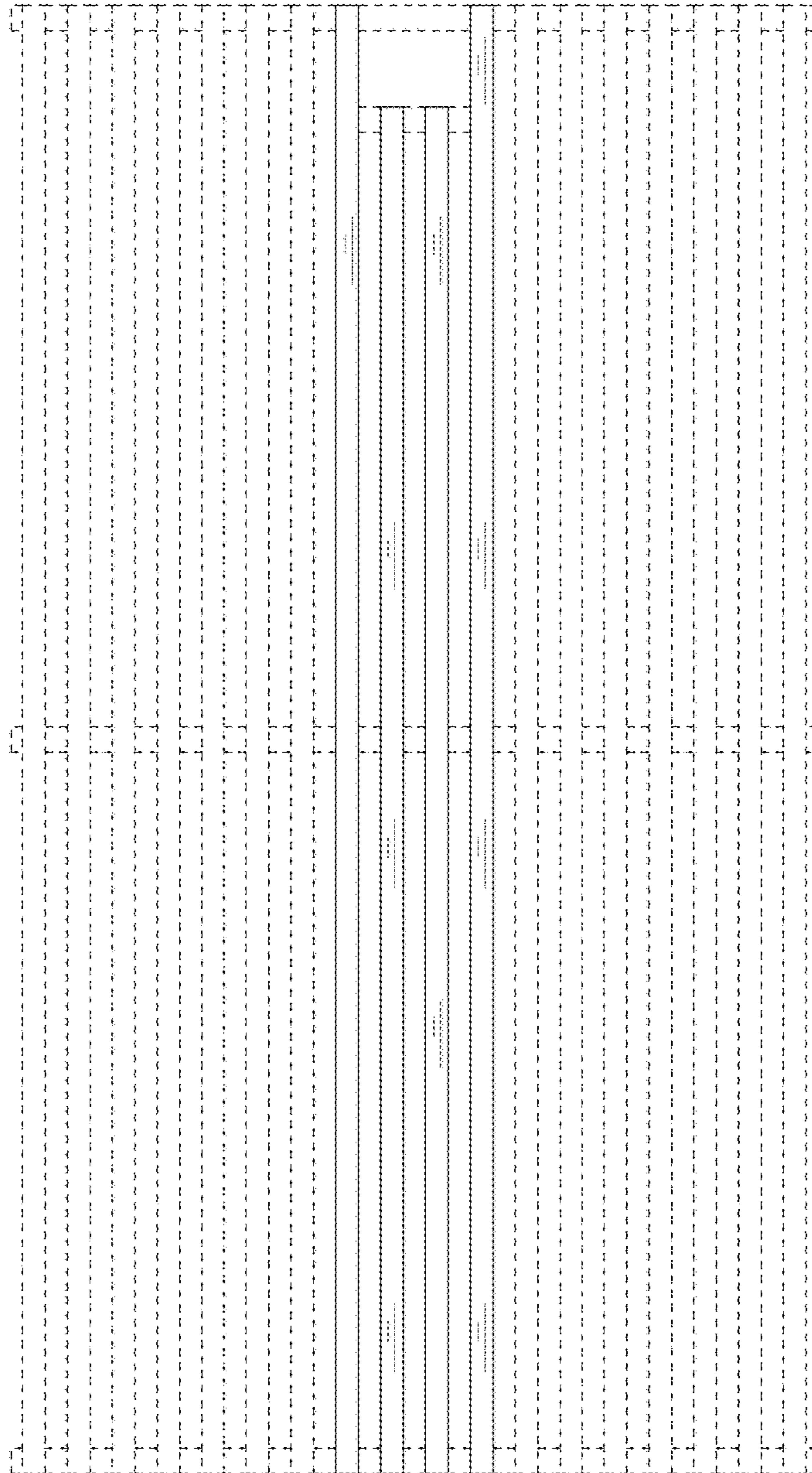


FIG. 9

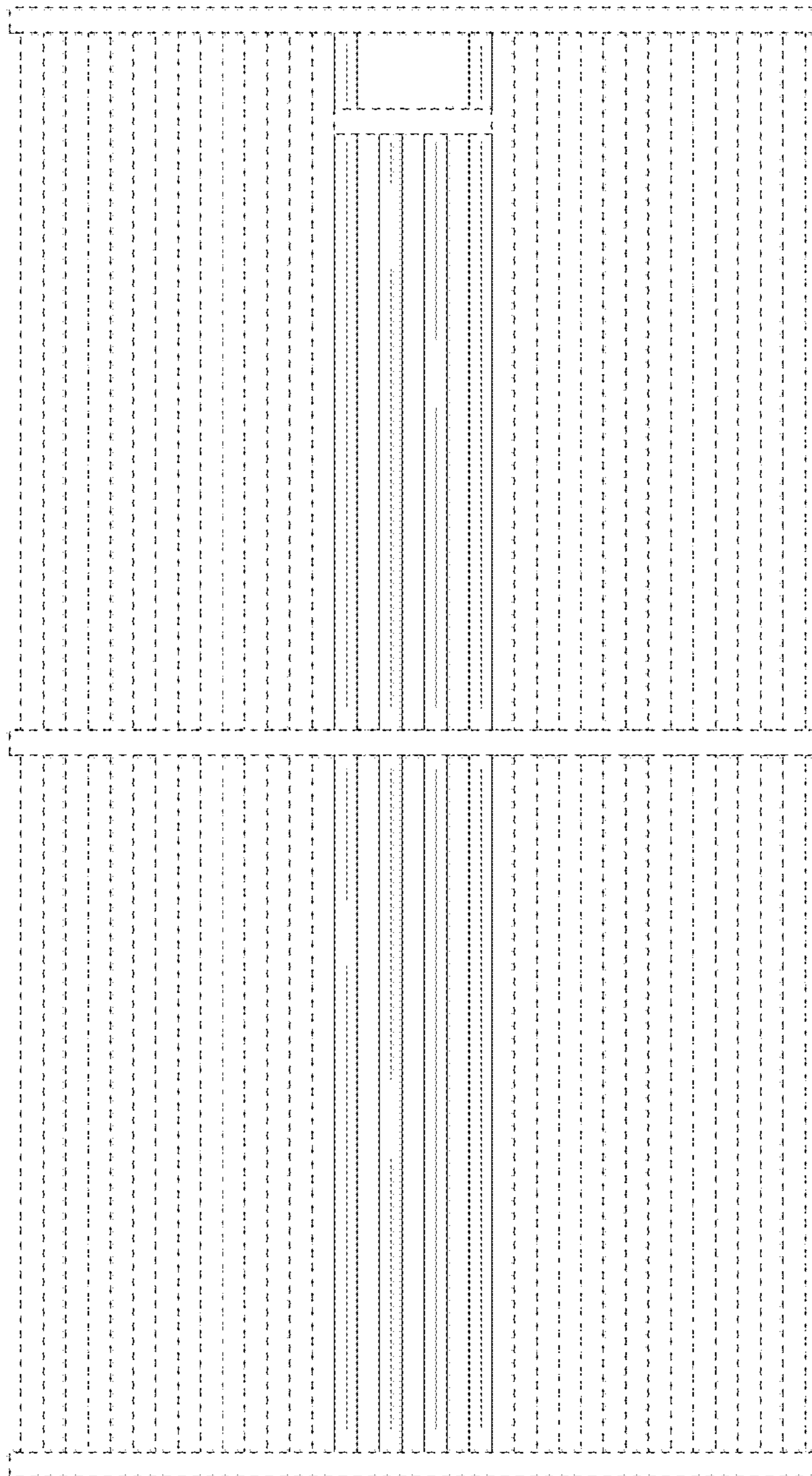


FIG. 10

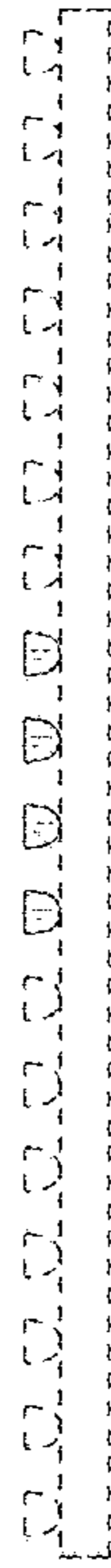


FIG. 11



FIG. 12



FIG. 13

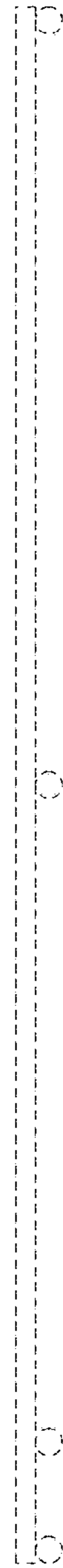


FIG. 14