



US00D857452S

(12) **United States Design Patent** (10) **Patent No.:** **US D857,452 S**  
**Sadtler** (45) **Date of Patent:** **\*\* Aug. 27, 2019**

- (54) **GAS COOKTOP GRATING**
- (71) Applicants: **BSH Home Appliances Corporation**, Irvine, CA (US); **BSH Hausgeräte GmbH**, Munich (DE)
- (72) Inventor: **Graham Sadtler**, Huntington Beach, CA (US)
- (73) Assignees: **BSH Home Appliances Corporation**, Irvine, CA (US); **BSH Hausgeräte GmbH**, Munich (DE)
- (\*\*) Term: **15 Years**
- (21) Appl. No.: **29/629,395**
- (22) Filed: **Dec. 13, 2017**

**Related U.S. Application Data**

- (62) Division of application No. 29/536,195, filed on Aug. 14, 2015, now Pat. No. Des. 811,165.
- (51) **LOC (12) Cl.** ..... **07-02**
- (52) **U.S. Cl.**  
USPC ..... **D7/408**
- (58) **Field of Classification Search**  
USPC ..... D7/407-409, 402, 339-341, 346-347, D7/362; D23/397, 402  
CPC ..... F24C 15/107; F24C 15/12; F24C 15/36; F24C 3/08; F24C 3/082; F24C 3/085; F24C 7/067; F24C 7/062; F24C 7/082; F24C 7/081; A47J 37/0709  
See application file for complete search history.

(56) **References Cited**

**U.S. PATENT DOCUMENTS**

- D378,262 S \* 3/1997 Sparks ..... D7/408
- D602,738 S \* 10/2009 Bengtson ..... D7/408
- D615,801 S \* 5/2010 Grey ..... D7/346

- D615,802 S \* 5/2010 Grey ..... D7/346
- D616,695 S \* 6/2010 Grey ..... D7/340
- D616,696 S \* 6/2010 Grey ..... D7/346
- D622,543 S \* 8/2010 Funnell ..... D7/408
- D628,017 S \* 11/2010 Funnell ..... D7/408
- D633,337 S \* 3/2011 Funnell, II ..... D7/408
- D634,579 S \* 3/2011 Funnell, II ..... D7/346
- D656,776 S \* 4/2012 Funnell, II ..... D7/340
- D669,728 S \* 10/2012 Funnell, II ..... D7/340
- D669,729 S \* 10/2012 Funnell, II ..... D7/340
- D682,603 S \* 5/2013 Pionek, II ..... D7/340
- D722,820 S \* 2/2015 Pionek ..... D7/408
- D738,683 S \* 9/2015 Segers ..... D7/408
- D765,459 S \* 9/2016 Shoemaker ..... D7/339
- D767,326 S \* 9/2016 Shoemaker ..... D7/339
- D773,232 S \* 12/2016 Shoemaker ..... D7/339
- D778,099 S \* 2/2017 Shoemaker ..... D7/346
- D778,111 S \* 2/2017 Shoemaker ..... D7/346

(Continued)

*Primary Examiner* — Sheryl Lane  
*Assistant Examiner* — Nicole C Shiflet  
(74) *Attorney, Agent, or Firm* — Michael E. Tschupp

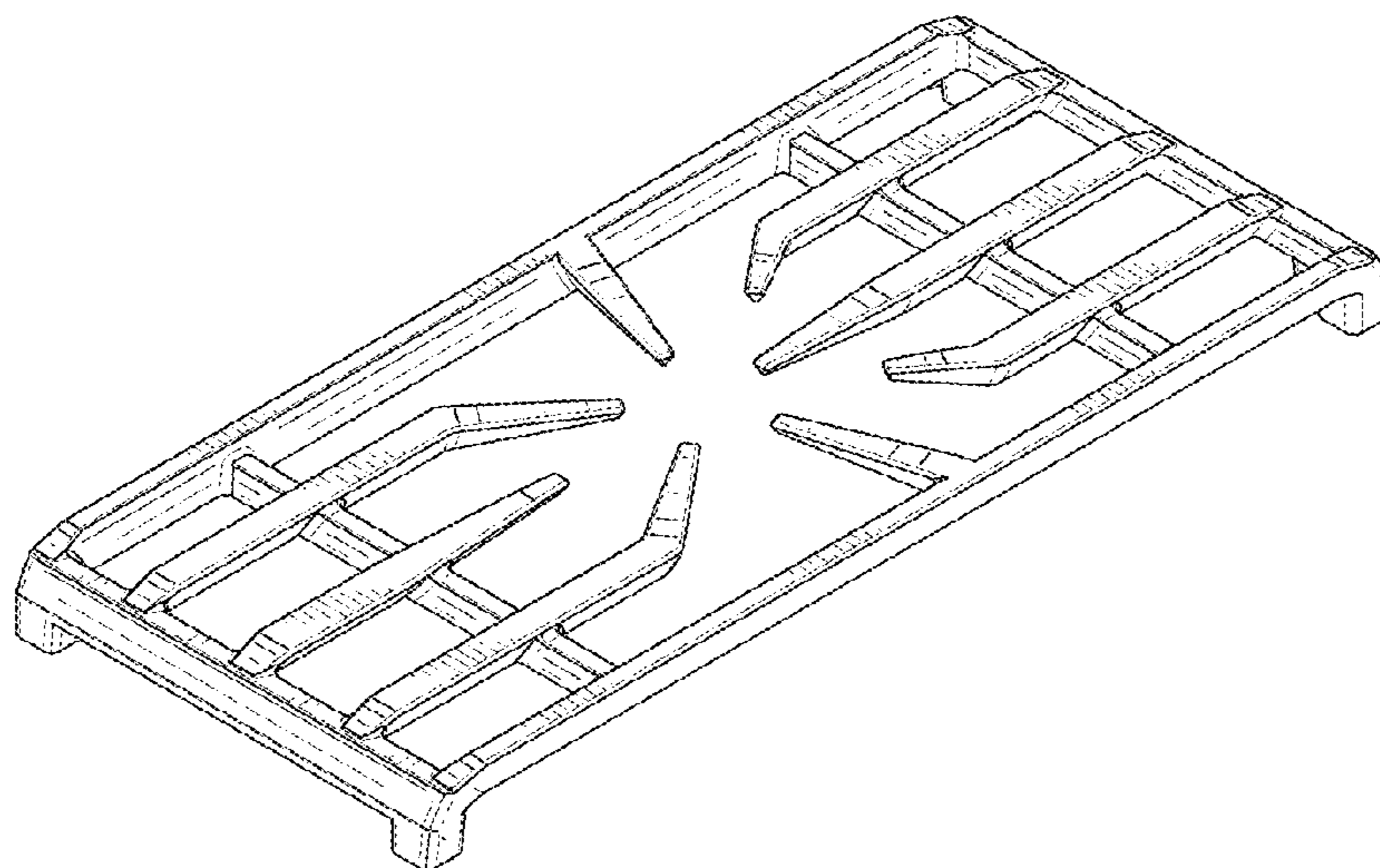
(57) **CLAIM**

The ornamental design for a gas cooktop grating, as shown and described.

**DESCRIPTION**

FIG. 1 is a perspective view of a gas cooktop grating showing an embodiment of my new ornamental design; FIG. 2 is a front view thereof; FIG. 3 is a top view thereof; FIG. 4 is a left side view thereof, with the right side being a mirror image thereof; FIG. 5 is a perspective view of a gas cooktop grating showing second embodiment of my new ornamental design; FIG. 6 is a front view thereof; FIG. 7 is a top view thereof; and, FIG. 8 is a left side view thereof, with the right side view being a minor image thereof.

**1 Claim, 6 Drawing Sheets**



(56)

**References Cited**

U.S. PATENT DOCUMENTS

D798,661 S \* 10/2017 Shoemaker ..... D7/408  
D798,662 S \* 10/2017 Shoemaker ..... D7/408  
9,857,085 B2 \* 1/2018 Braden ..... F24C 15/2042  
D811,165 S \* 2/2018 Sadtler ..... D7/408

\* cited by examiner

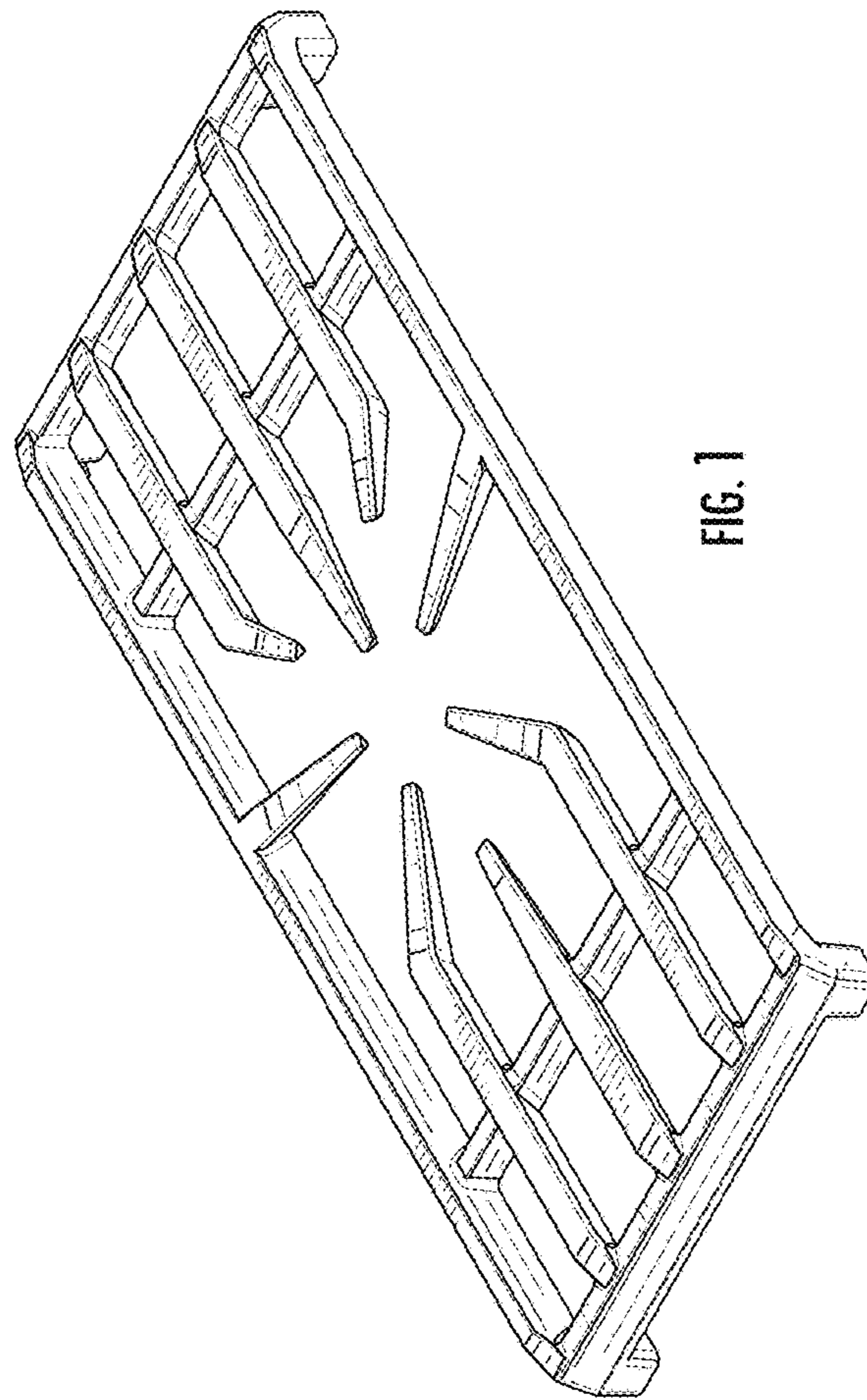


FIG. 1

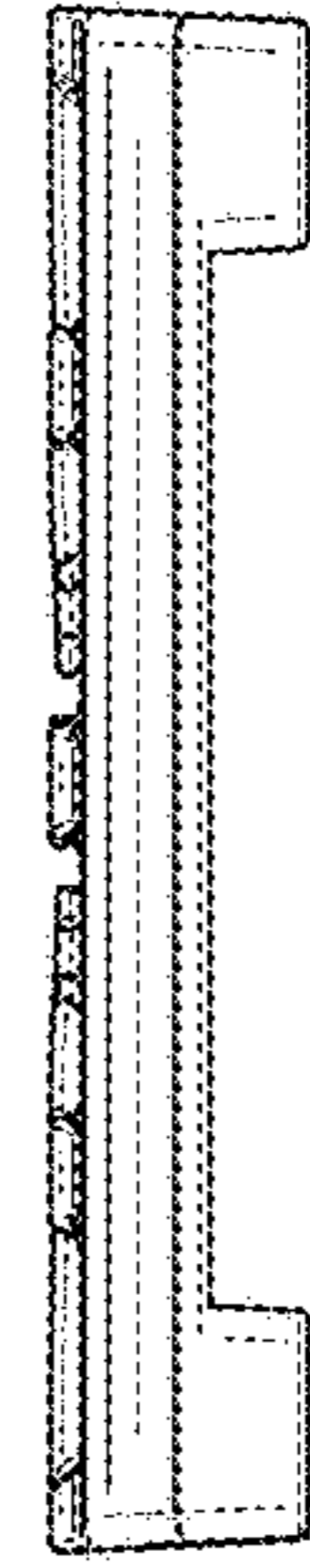


FIG. 2

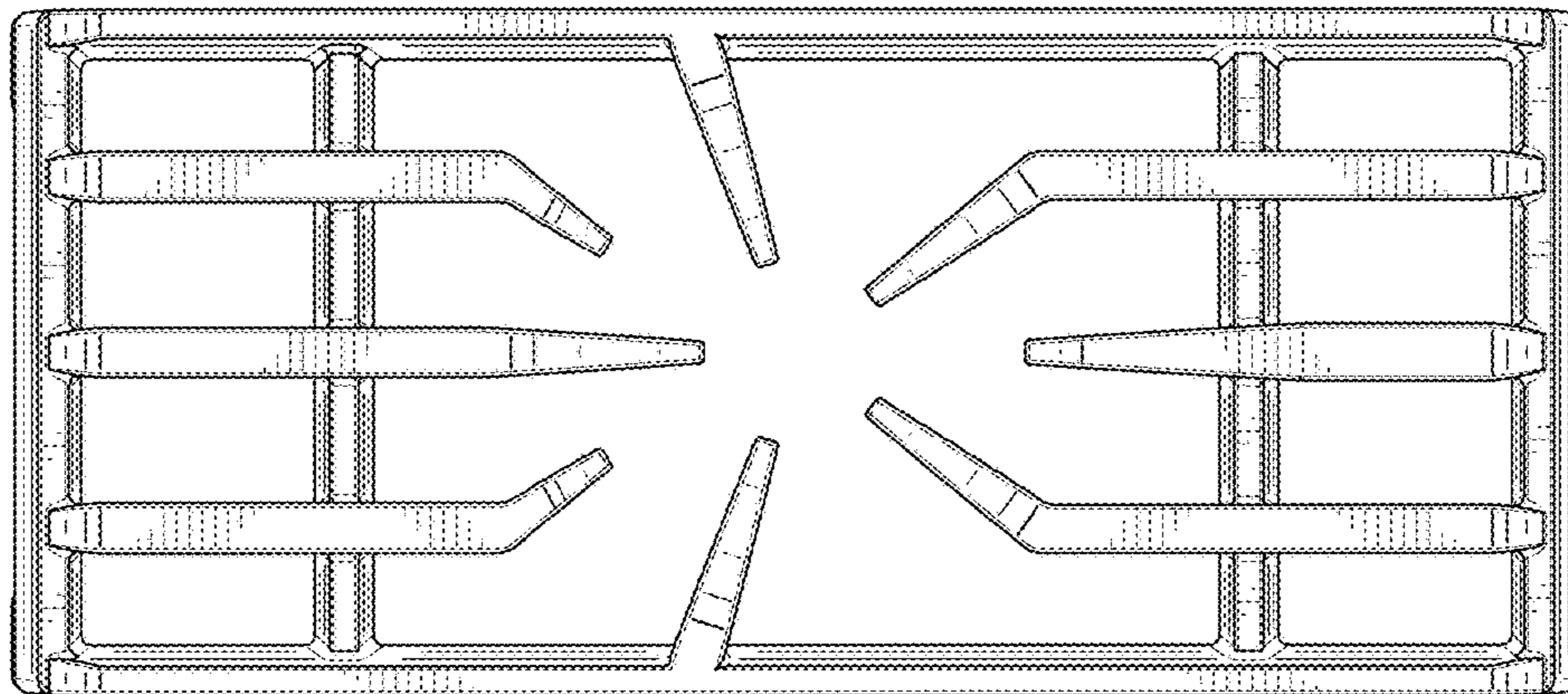


FIG. 3

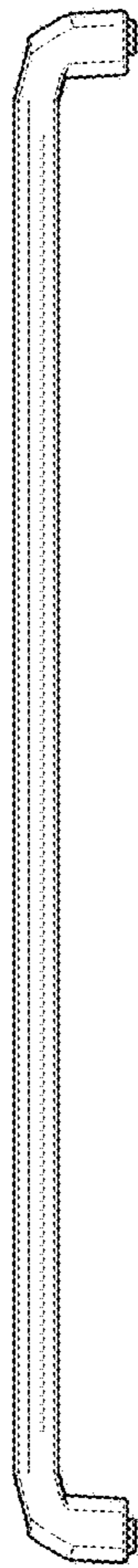


FIG. 4

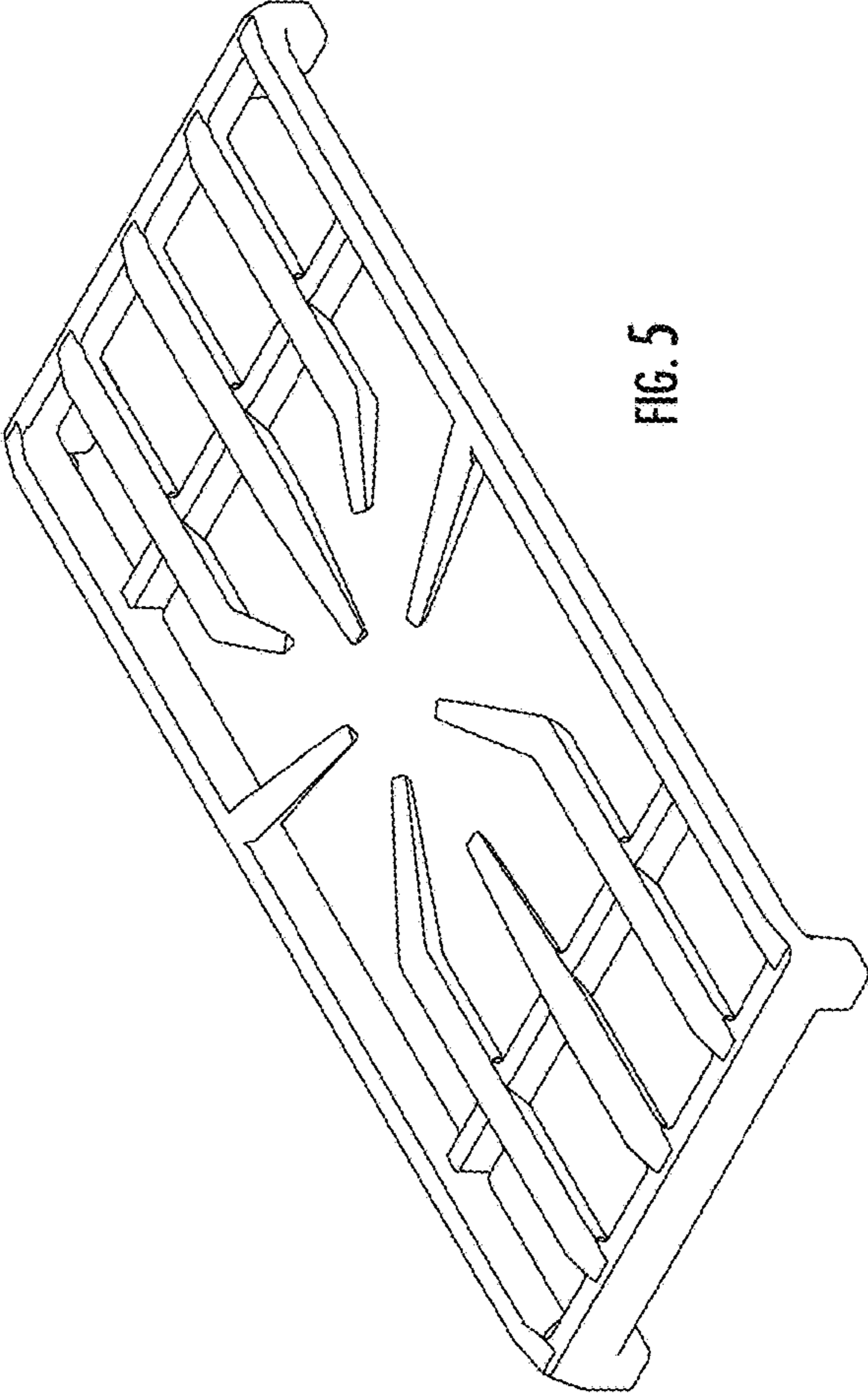


FIG. 5

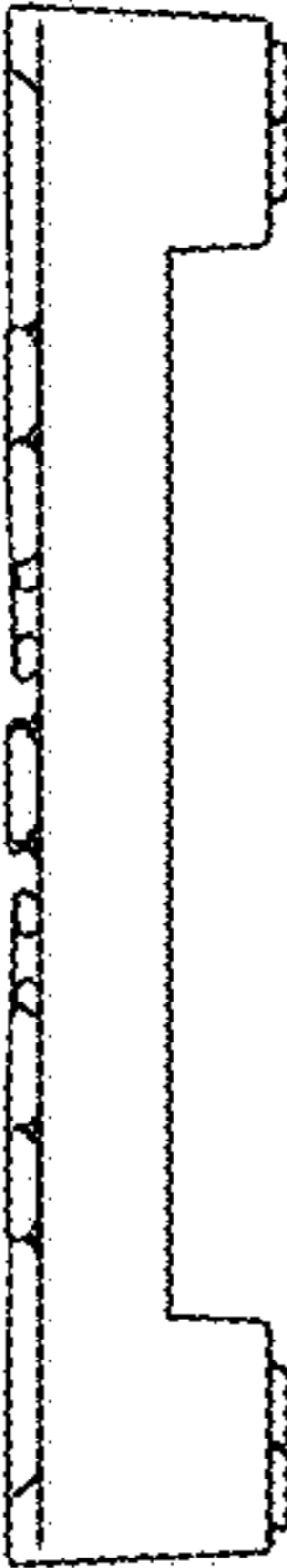


FIG. 6

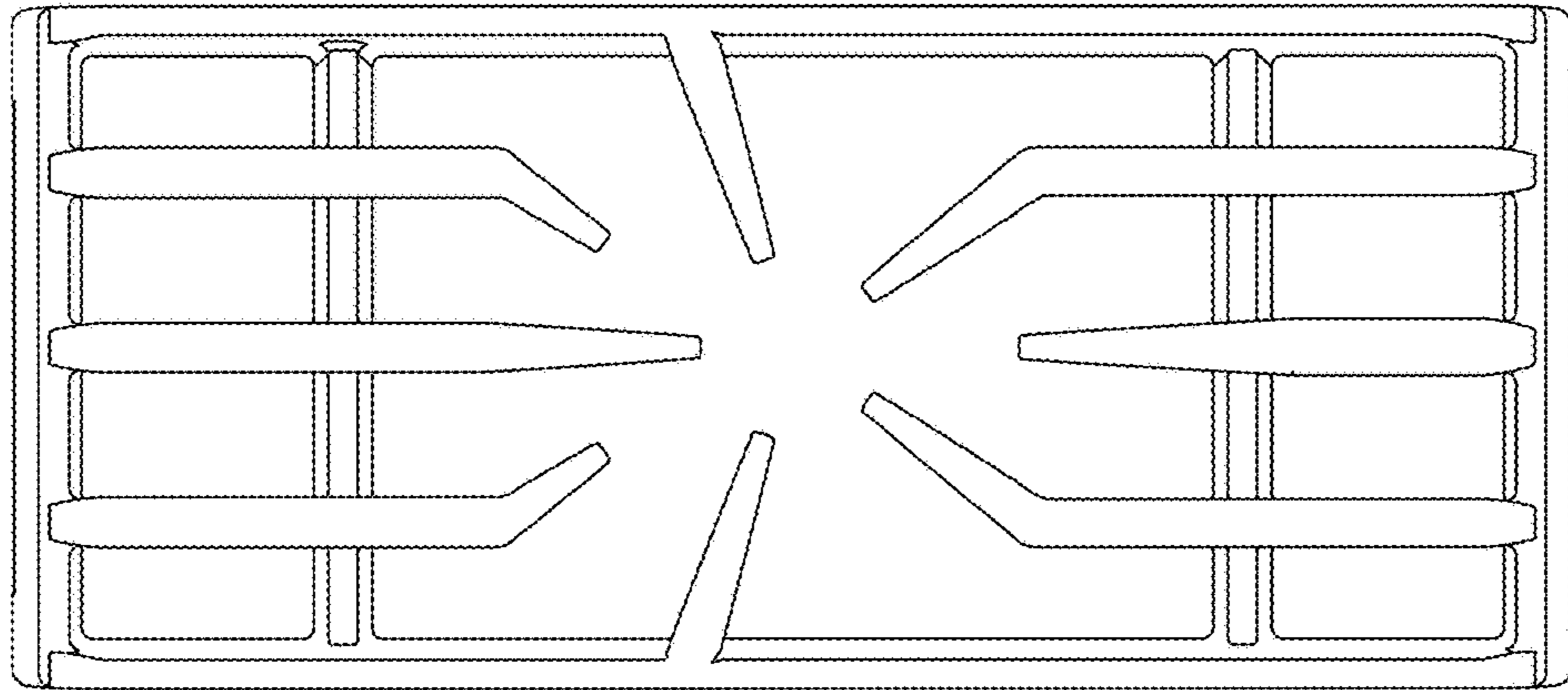


FIG. 7

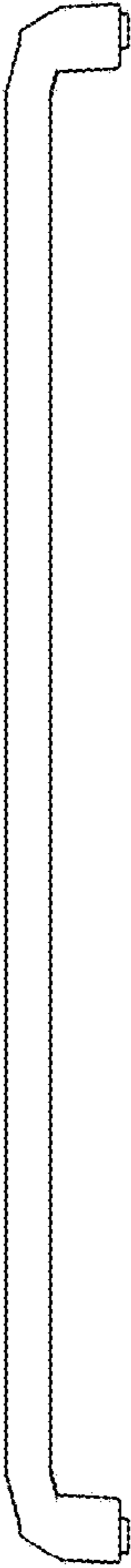


FIG 8