



US00D857451S

(12) **United States Design Patent**
Alpmen et al.

(10) **Patent No.:** **US D857,451 S**

(45) **Date of Patent:** **** Aug. 27, 2019**

(54) **DRAFT TAP**

(71) Applicant: **Pubinno, Inc.**, San Francisco, CA (US)

(72) Inventors: **Ahmet Necdet Alpmen**, Istanbul (TR);
Yusuf Can Algul, Istanbul (TR)

(73) Assignee: **Pubinno, Inc.**, San Francisco, CA (US)

(**) Term: **15 Years**

(21) Appl. No.: **29/621,187**

(22) Filed: **Oct. 5, 2017**

(51) **LOC (12) Cl.** **07-99**

(52) **U.S. Cl.**
USPC **D7/398**

(58) **Field of Classification Search**
USPC D7/312, 313, 397, 398, 387; D26/1-3
CPC B67D 1/0872; B67D 1/0892; B67D 3/00;
A47J 31/00; B65D 41/04
See application file for complete search history.

(56) **References Cited**

U.S. PATENT DOCUMENTS

D692,102 S * 10/2013 Newson D23/238
D694,859 S * 12/2013 Lammel D23/238

D742,166 S * 11/2015 Hamill D10/68
D801,113 S * 10/2017 Rancour D7/398
2015/0052790 A1* 2/2015 Logue B67D 1/0877
40/332

* cited by examiner

Primary Examiner — Derrick E Holland

Assistant Examiner — Andrew Kerr

(74) *Attorney, Agent, or Firm* — Knobbe, Martens, Olson
& Bear, LLP

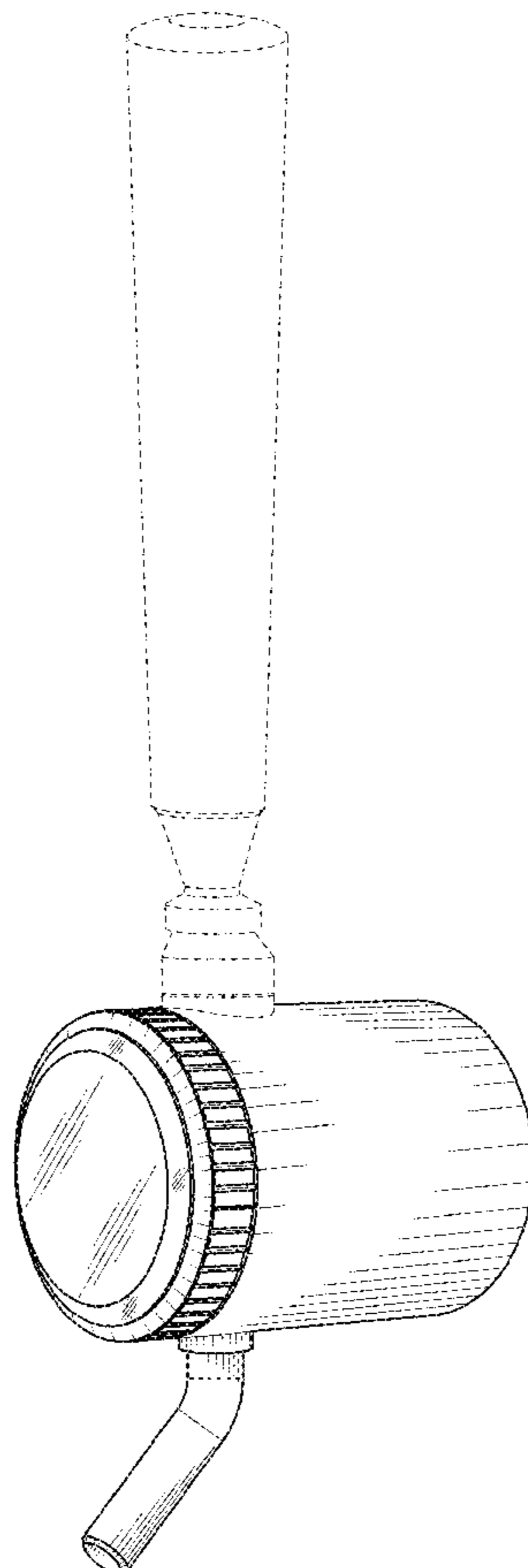
(57) **CLAIM**

The ornamental design for a draft tap, as shown and described.

DESCRIPTION

FIG. 1 is a top, front, and right side perspective view of a draft tap, showing our new design;
FIG. 2 is a front elevation view thereof;
FIG. 3 is a back elevation view thereof;
FIG. 4 is a right side elevation view thereof; the left side elevation being a mirror image;
FIG. 5 is a top plan view thereof; and,
FIG. 6 is a bottom plan view thereof.
The broken lines in the drawings depict environmental structure and form no part of the claimed design.

1 Claim, 5 Drawing Sheets



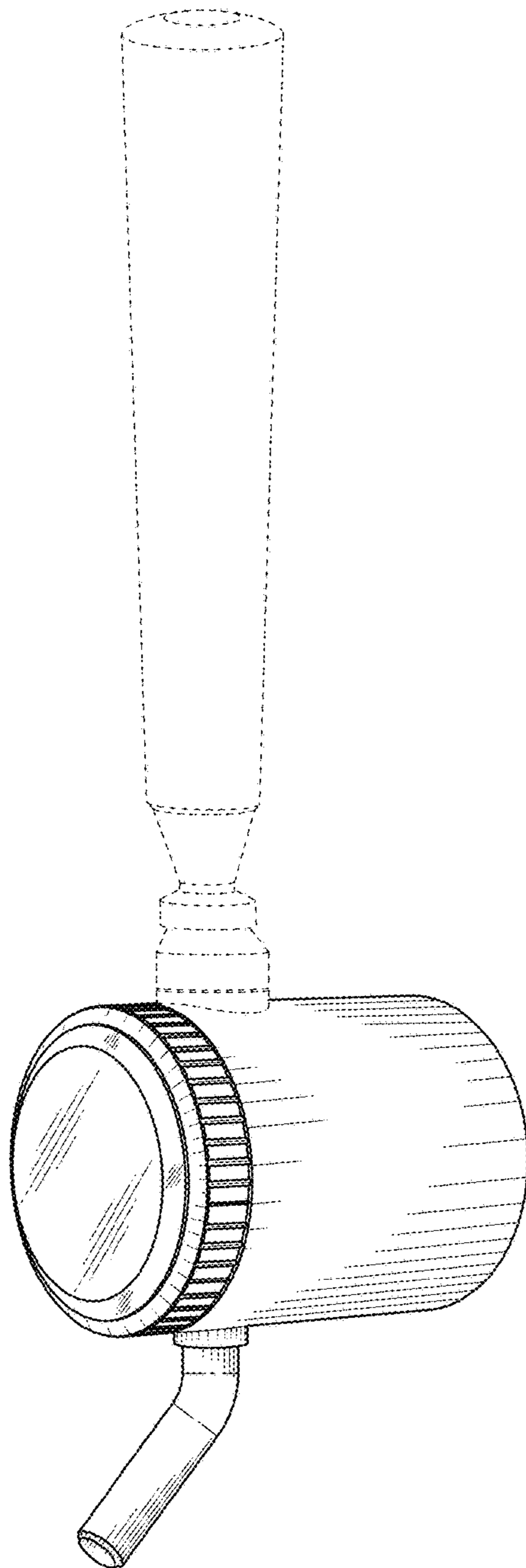


FIG. 1

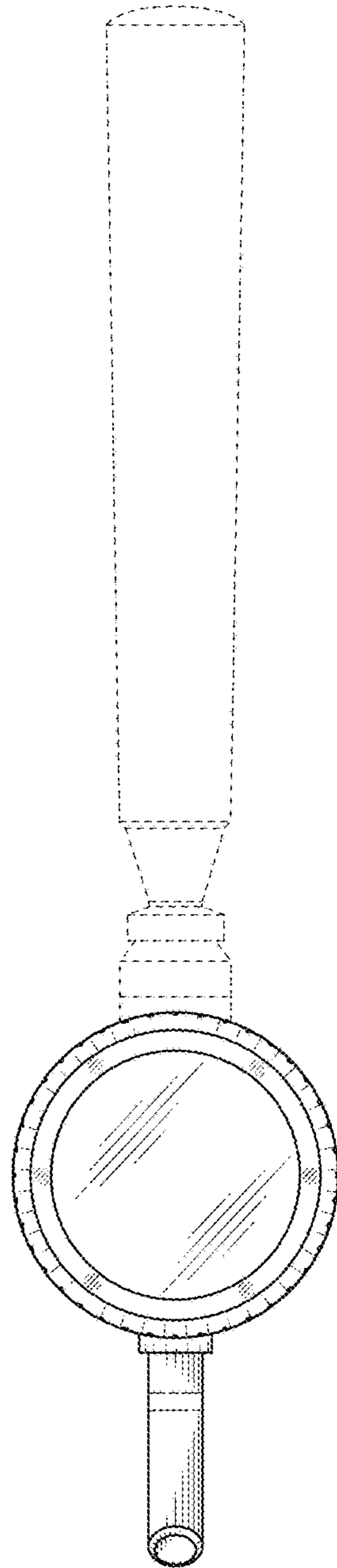


FIG. 2

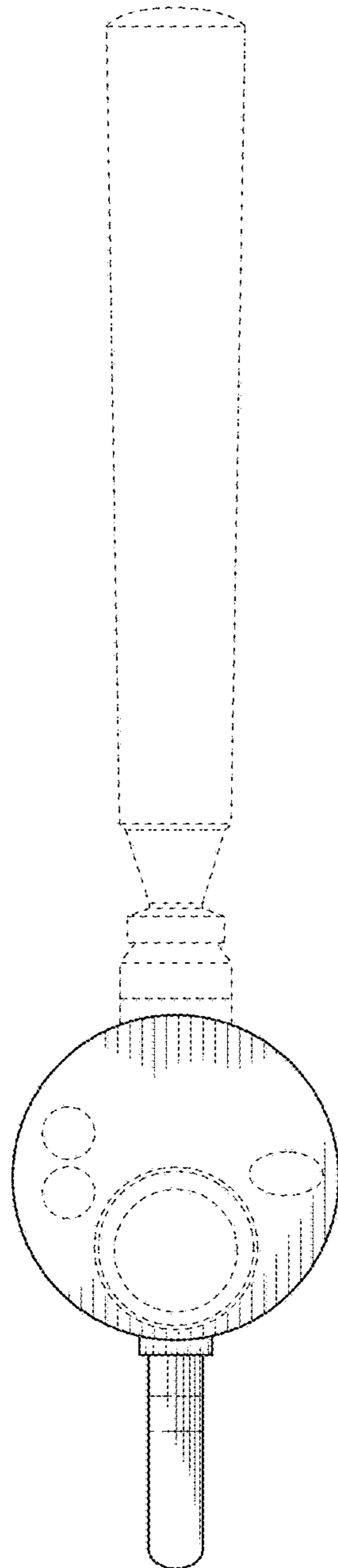


FIG. 3

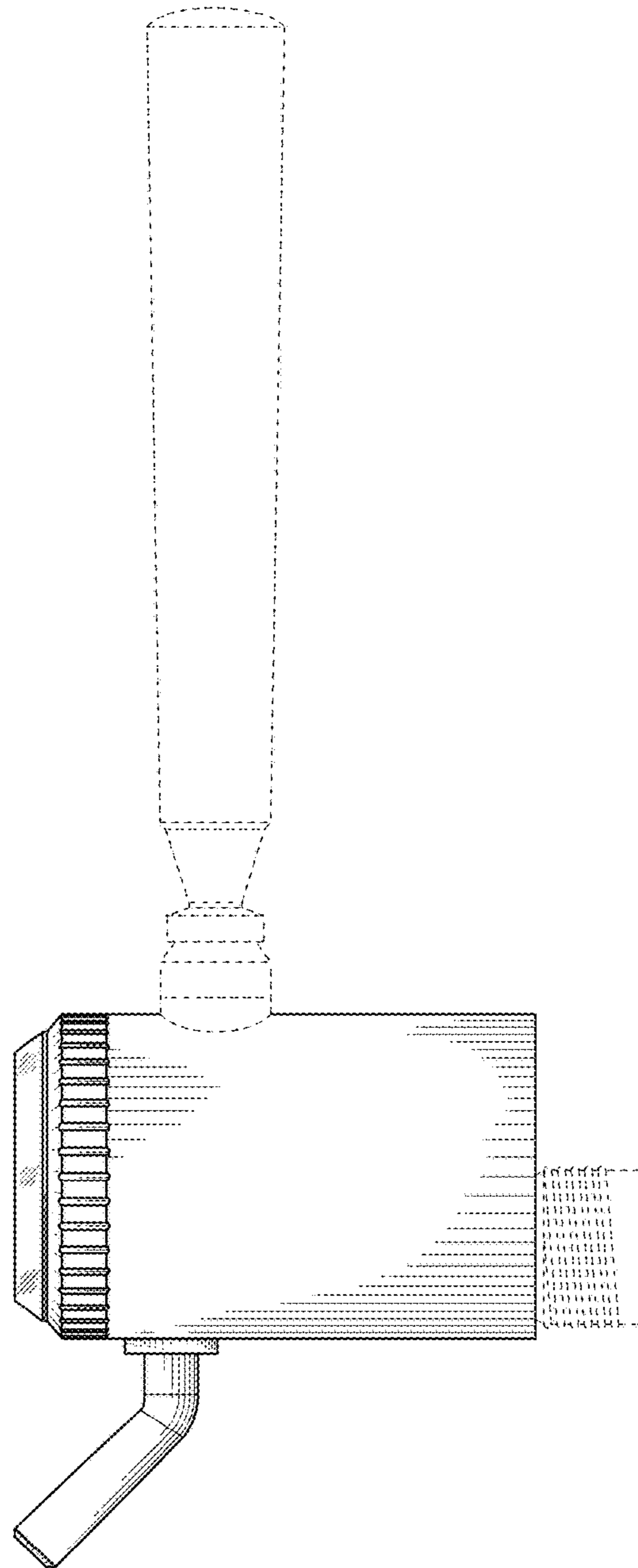


FIG. 4

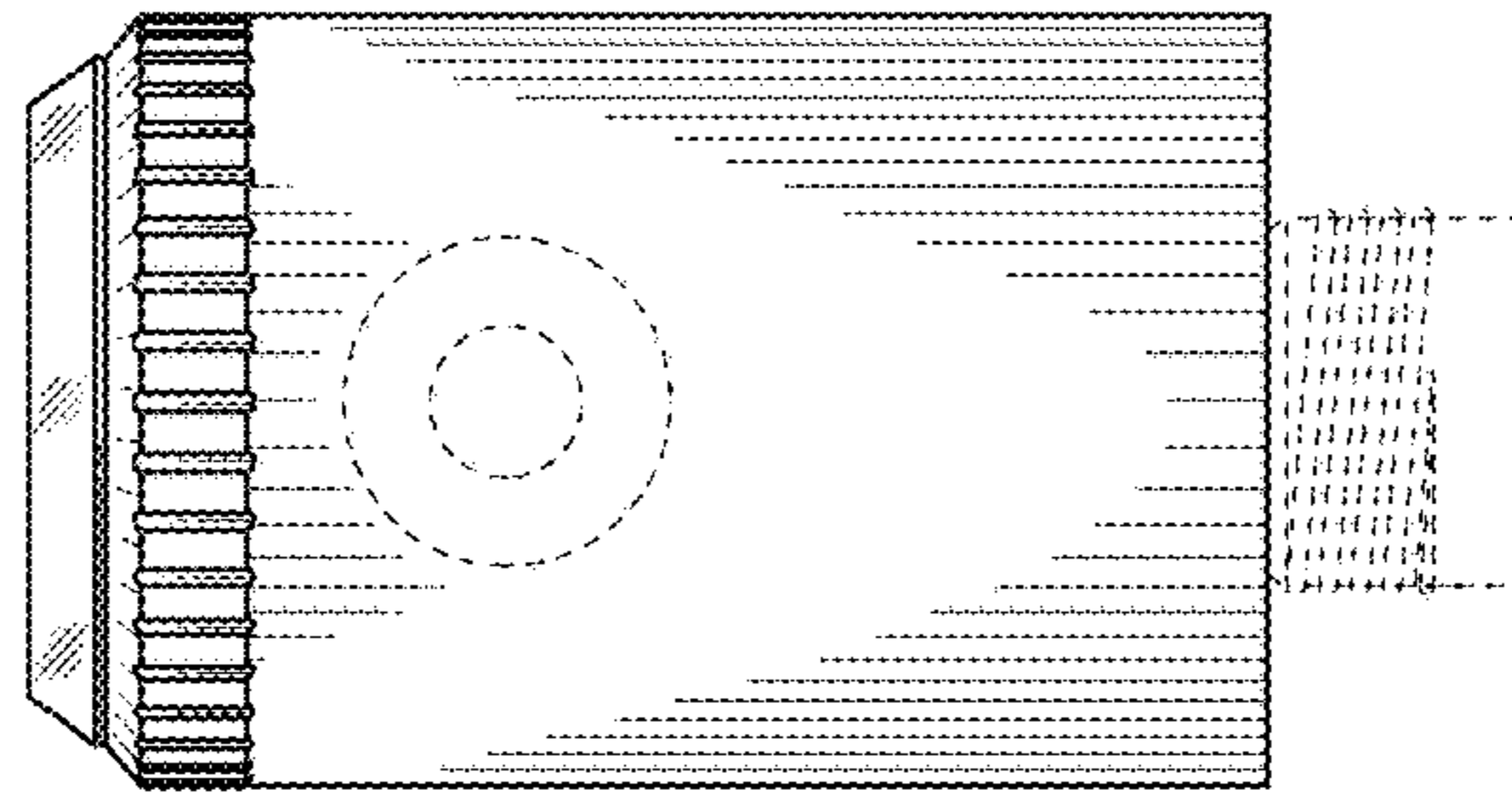


FIG. 5

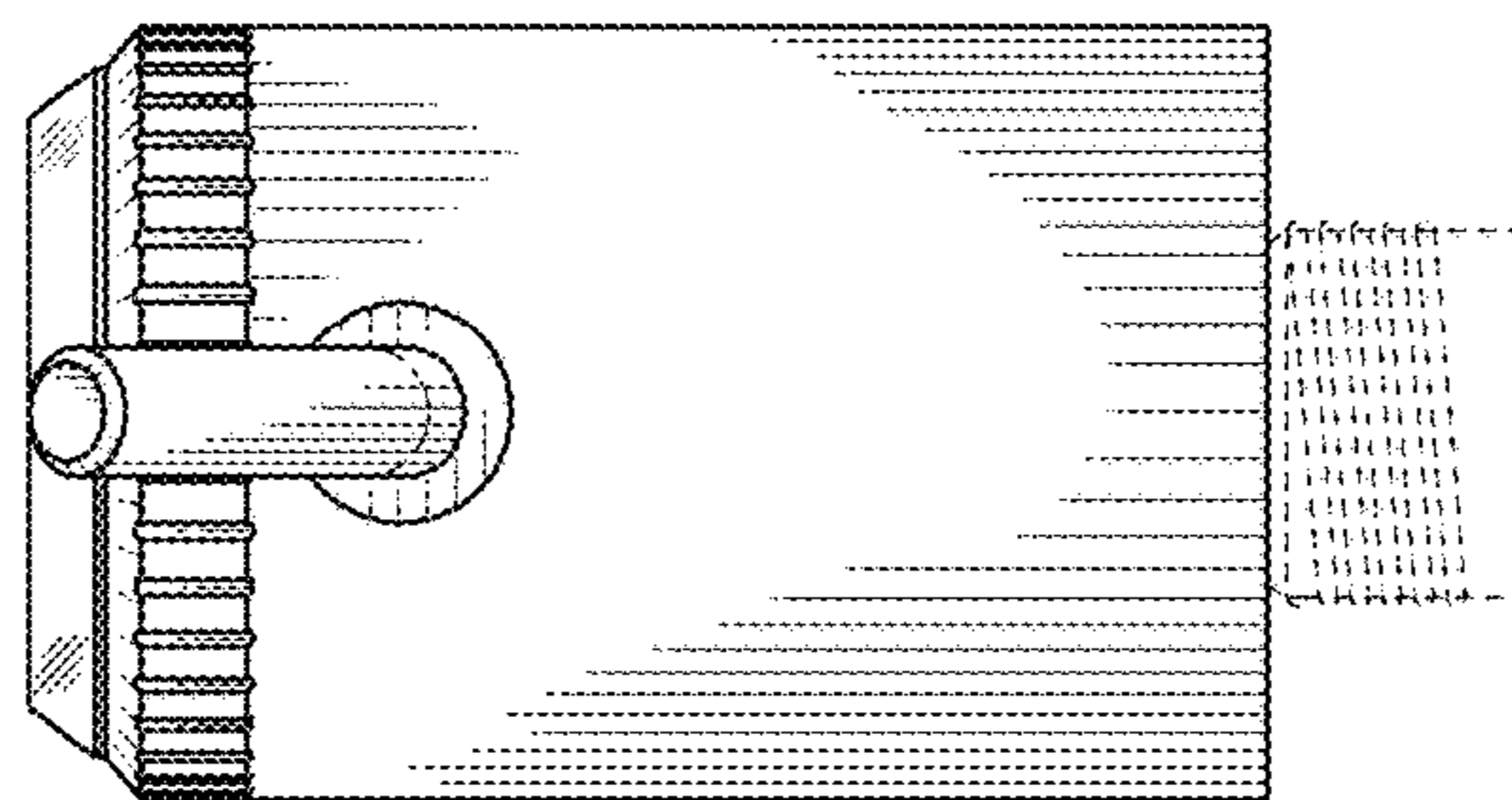


FIG. 6