



US00D857449S

(12) **United States Design Patent** (10) **Patent No.:** **US D857,449 S**
Trenchfield et al. (45) **Date of Patent:** **** Aug. 27, 2019**

(54) **ATTACHABLE SHOT SYSTEM** 4,702,473 A * 10/1987 Paquette A45F 3/16
222/175

(71) Applicants: **Ian Trenchfield**, Parkland, FL (US); D320,561 S * 10/1991 Glazer D7/395
Shereen E Young, Parkland, FL (US) 5,318,492 A * 6/1994 Quinn A63B 21/072
222/175

(72) Inventors: **Ian Trenchfield**, Parkland, FL (US); D568,107 S * 5/2008 Bhavnani D7/509
Shereen E Young, Parkland, FL (US) D643,289 S * 8/2011 Harlan D7/622
D754,001 S * 4/2016 Barrier D7/622
D790,919 S * 7/2017 Moser D7/507
D813,599 S * 3/2018 Gallagher D7/397
9,919,843 B2 * 3/2018 Pulst B65D 25/2829
2004/0135049 A1 * 7/2004 Kent-Fawkes B65D 23/106
248/311.2
2006/0126431 A1 * 6/2006 Bhavnani A47J 43/046
366/314

(**) Term: **15 Years**

(21) Appl. No.: **29/624,574**

(22) Filed: **Nov. 2, 2017**

(51) **LOC (12) Cl.** **07-01**

(52) **U.S. Cl.**
USPC **D7/396.2; D7/507; D7/397; D7/622**

(58) **Field of Classification Search**
USPC D7/507, 509, 510, 511, 392.1, 396.2,
D7/400, 398, 213, 393, 394, 397, 514,
D7/515, 389, 581, 401.1, 602, 600.1, 536,
D7/622; 220/200, 703; D9/434, 435,
D9/436, 447, 448, 635, 440, 439, 450,
D9/446, 443
CPC B65D 41/56; B65D 41/04; B65D 41/0414;
A47J 43/27; A45F 3/16
See application file for complete search history.

* cited by examiner

Primary Examiner — Marianne N Pandozzi
Assistant Examiner — Jae Liang
(74) *Attorney, Agent, or Firm* — Melvin K. Silverman

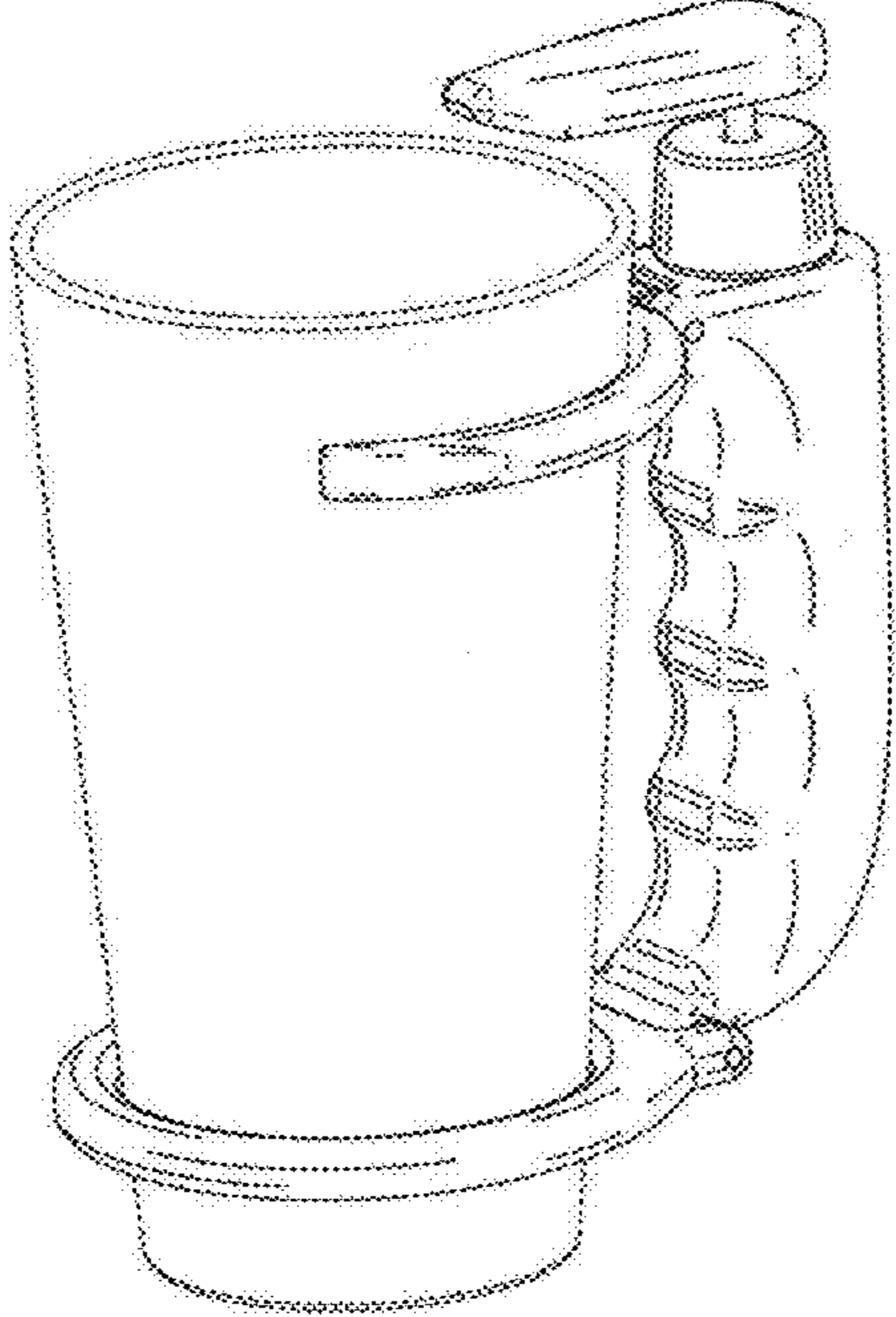
(57) **CLAIM**
The ornamental design for an attachable shot system, as shown and described.

DESCRIPTION

FIG. 1 is a perspective view of an attachable shot system showing our new design;
FIG. 2 is a rear elevational view there of;
FIG. 3 is a left side view thereof;
FIG. 4 is a front elevational view thereof;
FIG. 5 is a top view thereof;
FIG. 6 is a bottom view thereof; and,
FIG. 7 is a perspective view thereof in an open position.

1 Claim, 7 Drawing Sheets

(56) **References Cited**
U.S. PATENT DOCUMENTS
D154,588 S * 7/1949 Collins 215/395
D194,364 S * 1/1963 Hansen D7/511
3,189,937 A * 6/1965 Sciortino A47G 23/0266
294/33
3,261,635 A * 7/1966 Talay A47G 23/0266
215/396



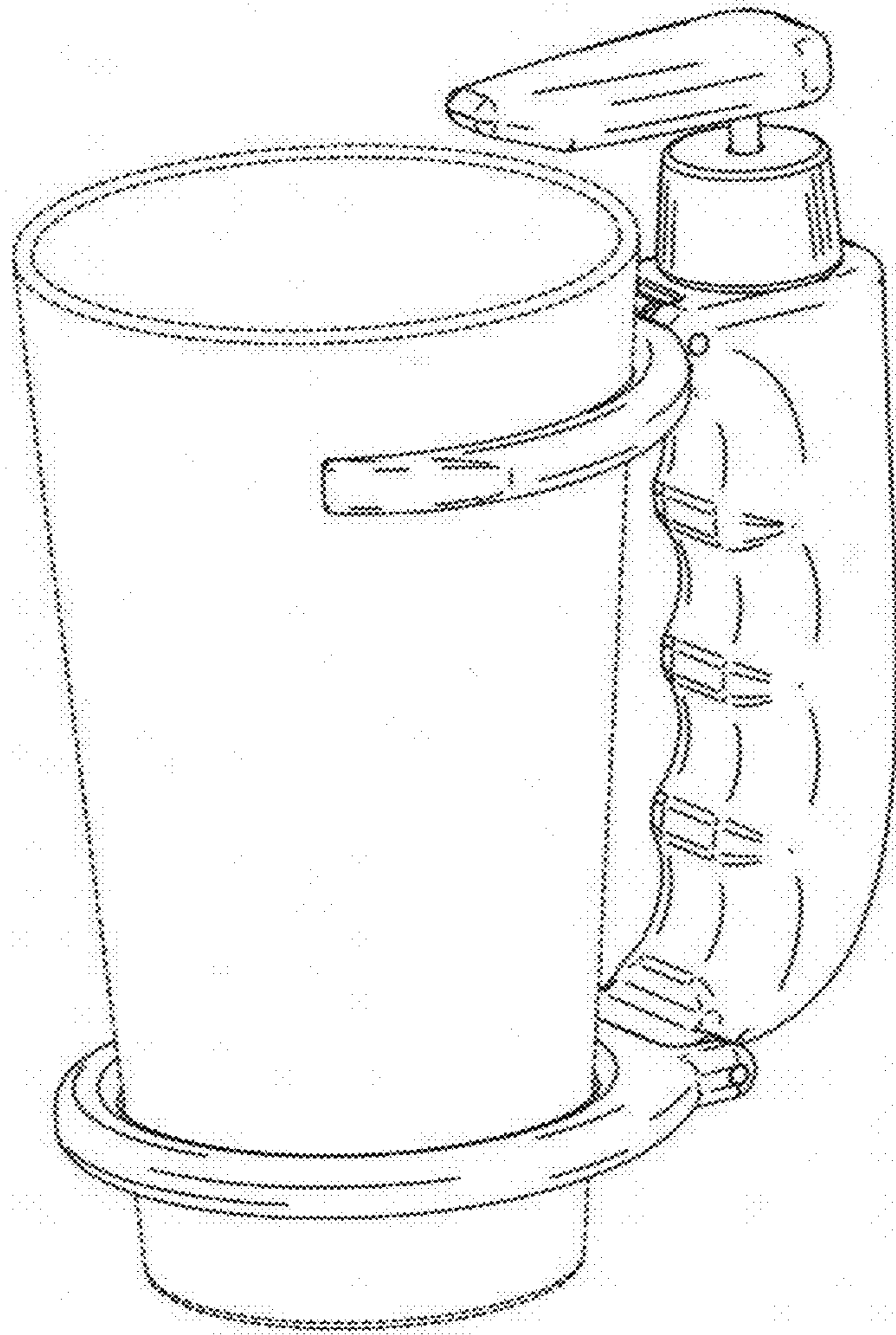


FIG. 1

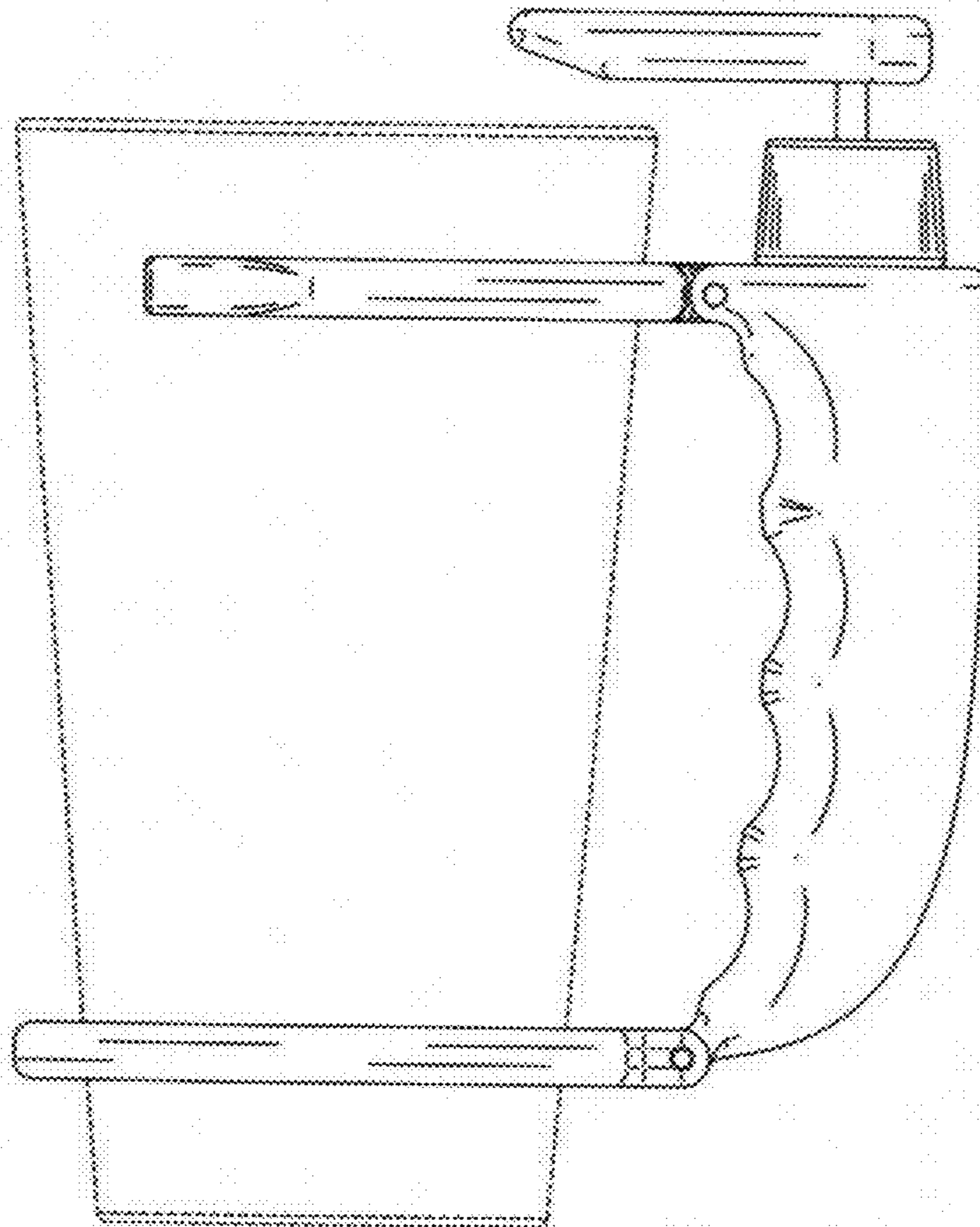


FIG. 2

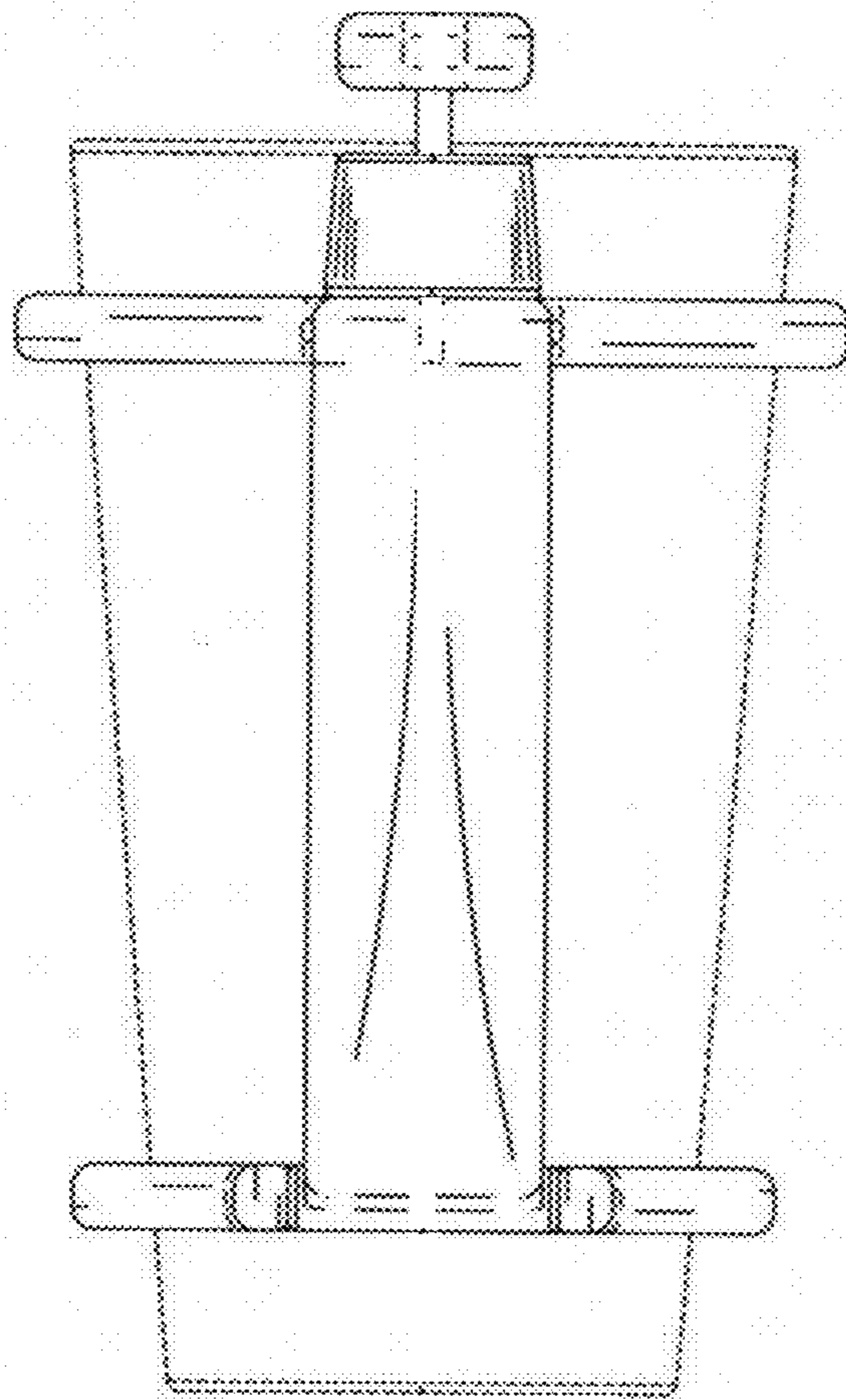


FIG. 3

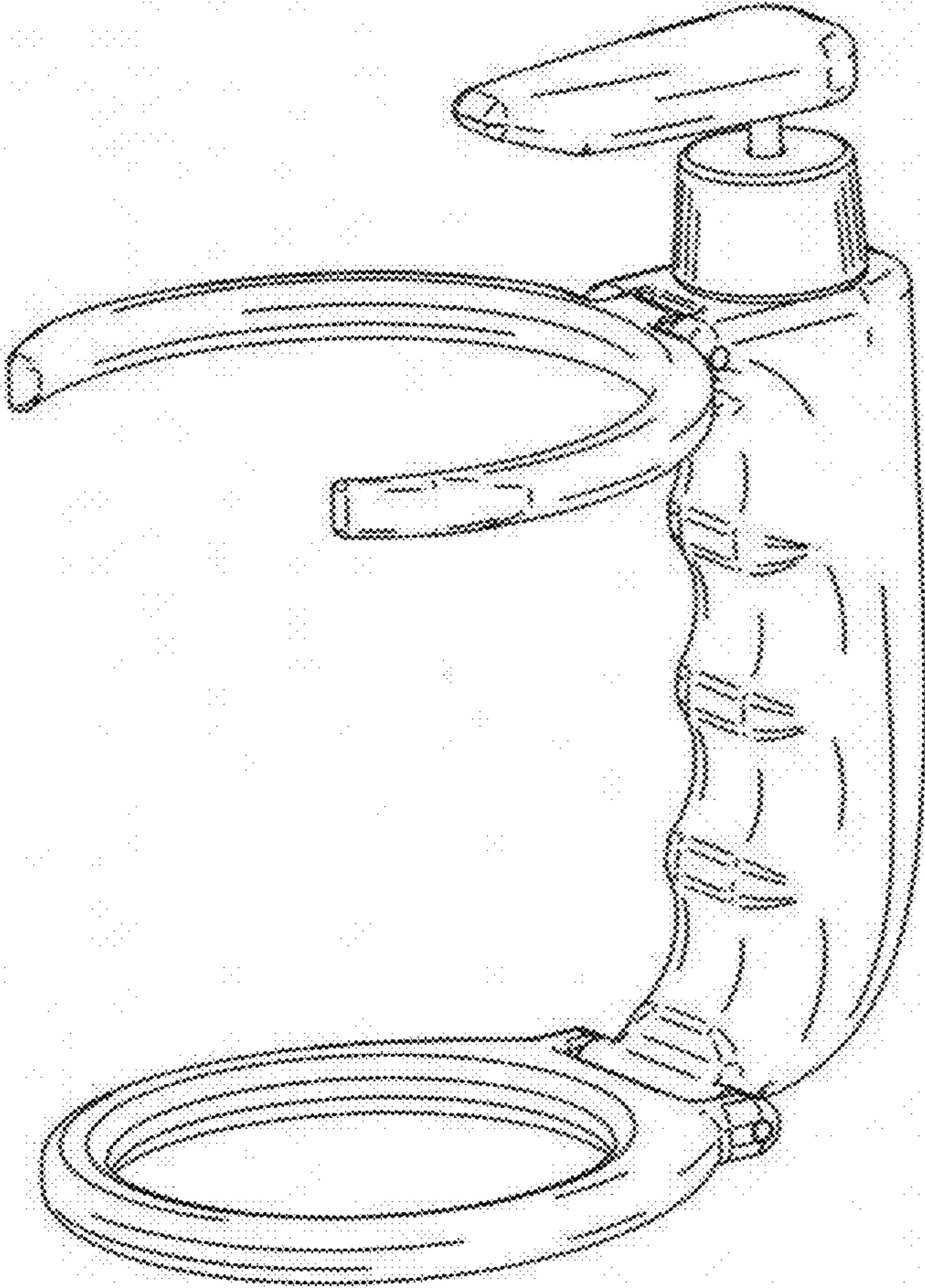


FIG. 4

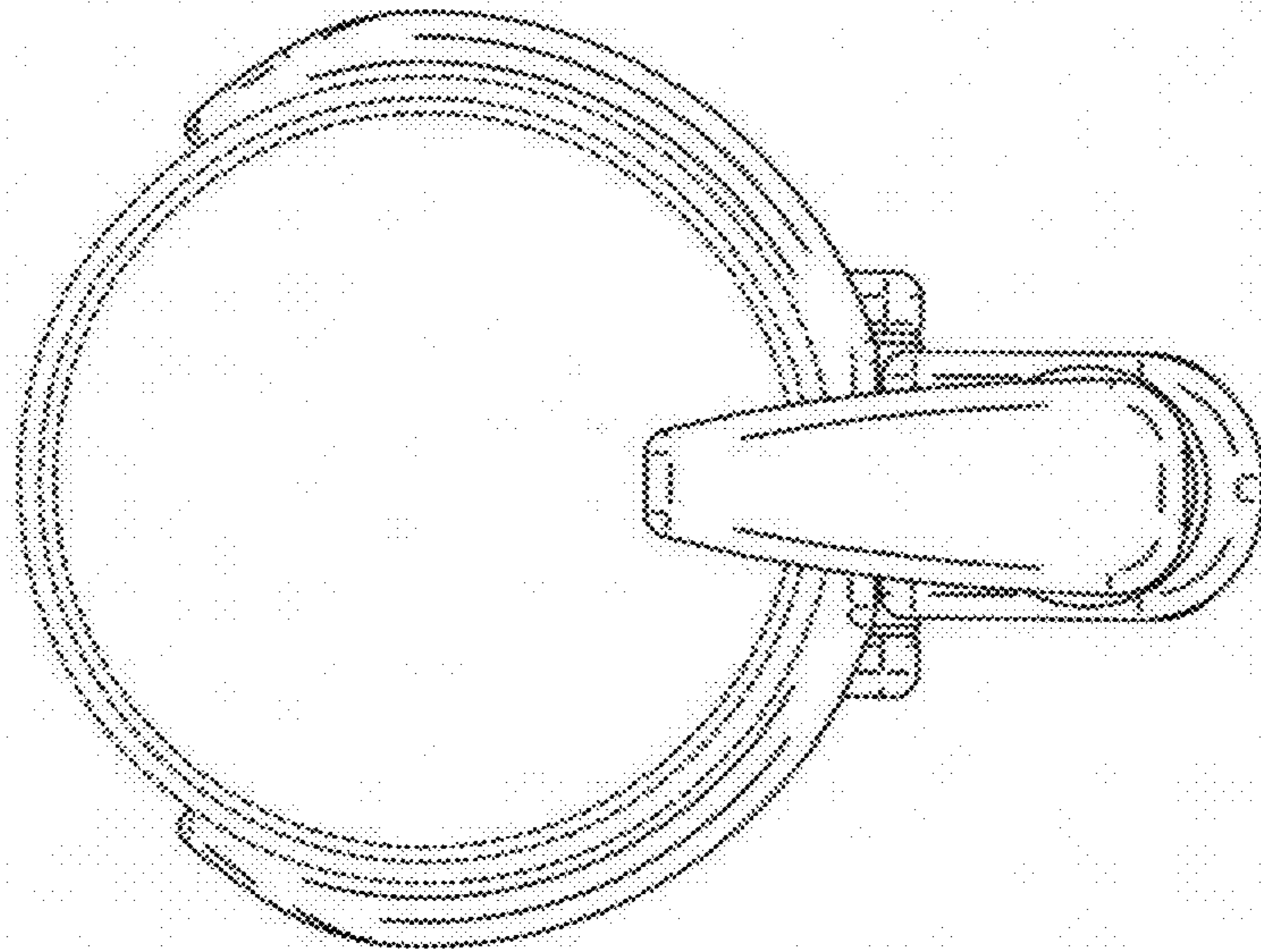


FIG. 5

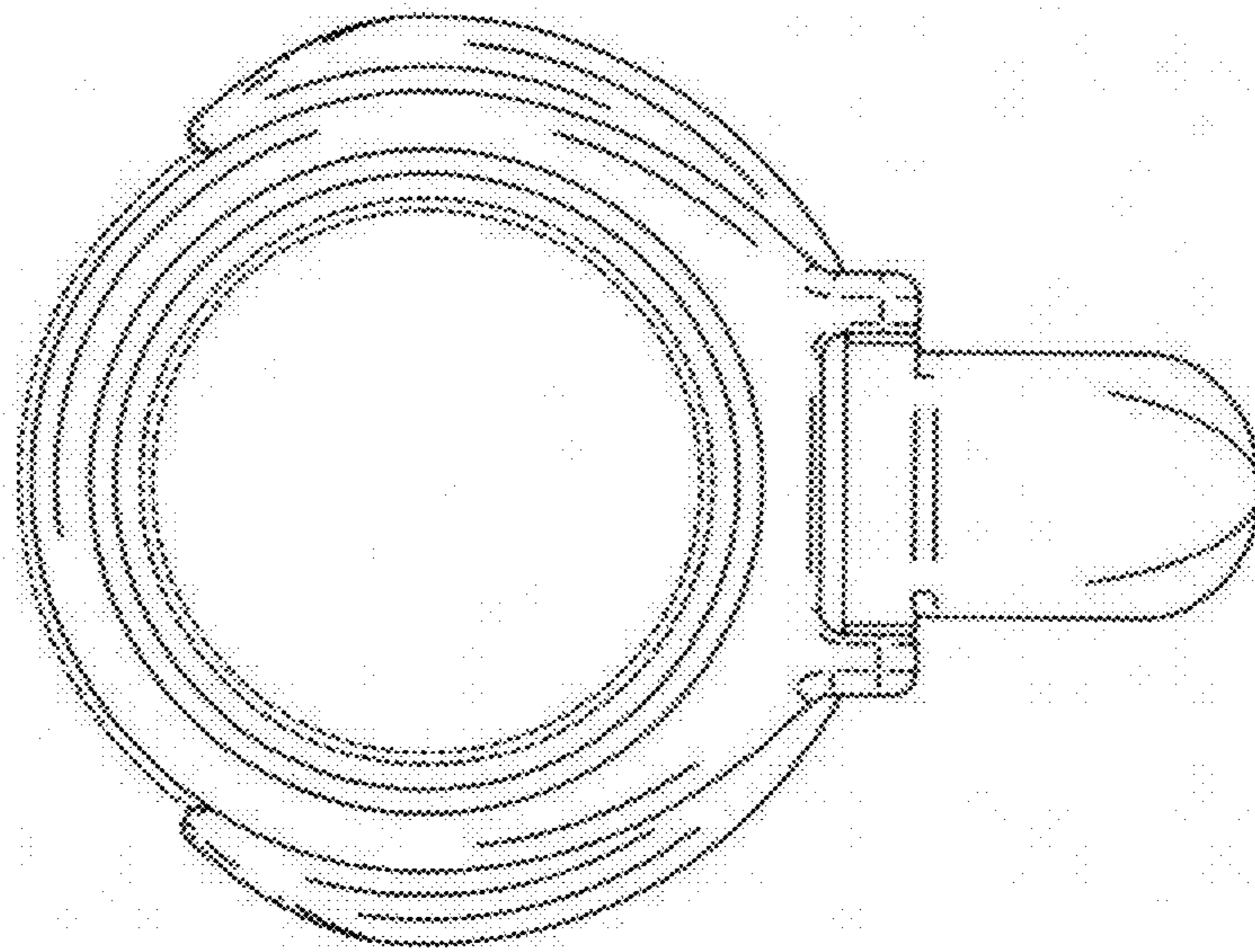


FIG. 6

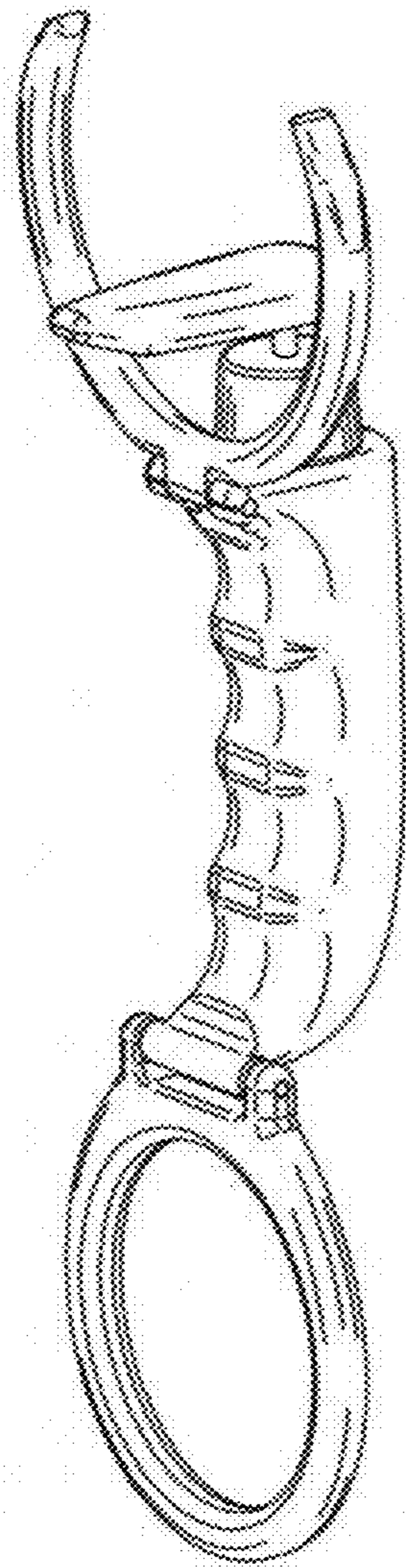


FIG. 7