



US00D857447S

(12) **United States Design Patent** (10) **Patent No.:** **US D857,447 S**
Savage et al. (45) **Date of Patent:** **** Aug. 27, 2019**

(54) **RACK HANDLE**

(71) Applicant: **PITCO FRIALATOR, INC.**, Bow, NH (US)

(72) Inventors: **Steven Savage**, Concord, NH (US);
Karl M. Searl, Newmarket, NH (US);
Steven J. Cyr, Londonderry, NH (US);
Steven Gallerani, Northwood, NH (US)

(73) Assignee: **PITCO FRIALATOR, INC.**, Bow, NH (US)

(**) Term: **15 Years**

(21) Appl. No.: **29/643,564**

(22) Filed: **Apr. 10, 2018**

(51) **LOC (12) Cl.** **07-99**

(52) **U.S. Cl.**
USPC **D7/393; D8/300**

(58) **Field of Classification Search**
USPC D7/387, 393, 395, 396.1, 669;
D8/300-303, 315, 316, 319, 321
CPC B25G 1/00; B25G 3/00; Y10T 16/466;
Y10T 16/469; A47K 3/003; E04F
11/1808
See application file for complete search history.

(56) **References Cited**

U.S. PATENT DOCUMENTS

2,344,545 A * 3/1944 Harder B62J 23/00
2/17
D295,717 S * 5/1988 Driscoll D8/300

D471,075 S * 3/2003 Fields D8/316
D490,682 S * 6/2004 Sullivan D23/311
D622,556 S * 8/2010 Matri D7/669
D741,683 S * 10/2015 Park D8/319
9,637,930 B2 * 5/2017 Grudzien E04F 11/1808
D842,073 S * 3/2019 Minale D8/315
D842,675 S * 3/2019 Raymond D8/303

* cited by examiner

Primary Examiner — Derrick E Holland

Assistant Examiner — Andrew Kerr

(74) *Attorney, Agent, or Firm* — Seyfarth Shaw LLP;
Brian Michaelis

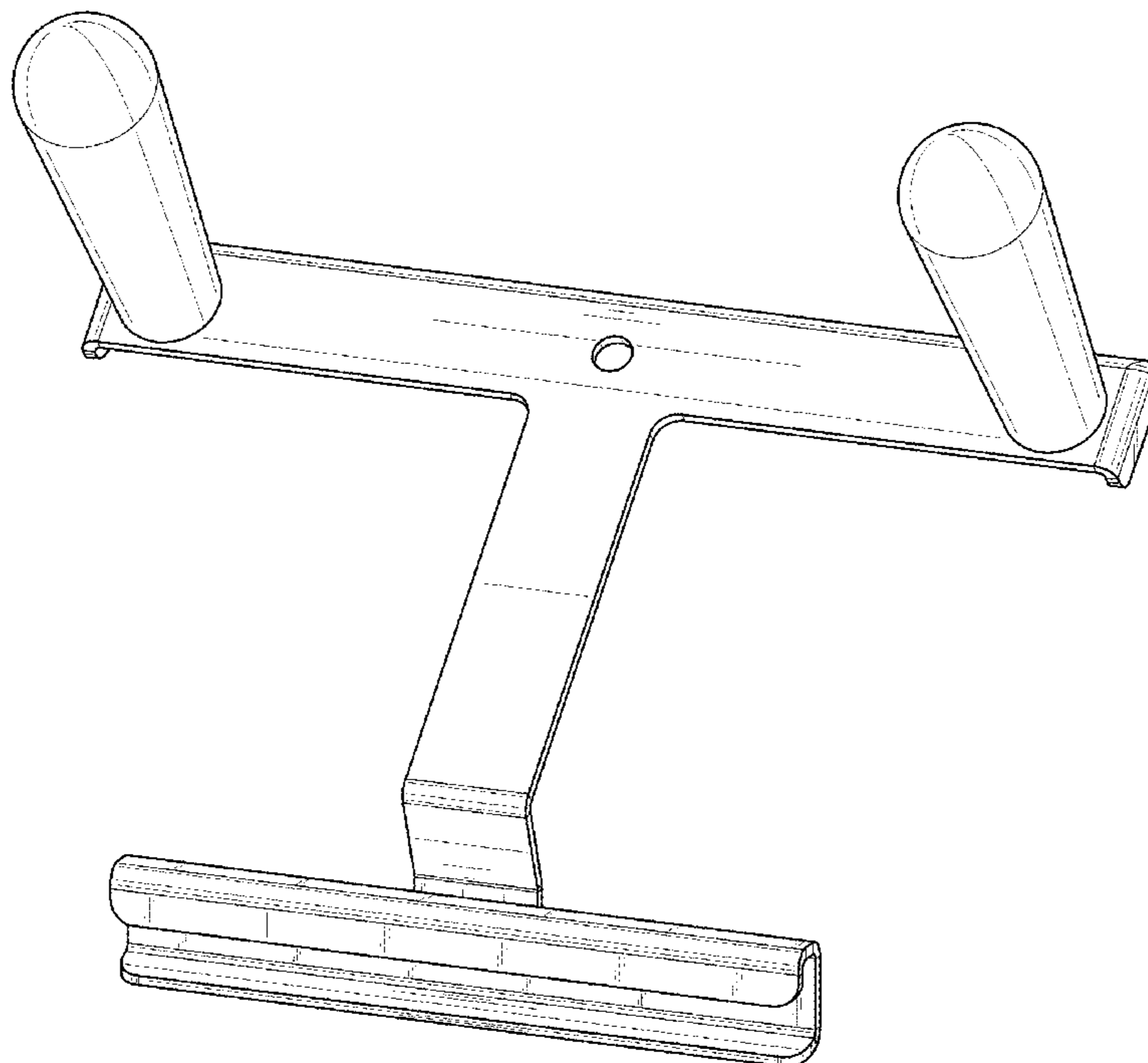
(57) **CLAIM**

The ornamental design for a rack handle, as shown and described.

DESCRIPTION

FIG. 1 is a perspective view of a rack handle, showing our new design;
FIG. 2 is a top plan view thereof;
FIG. 3 is a bottom plan view thereof;
FIG. 4 is a left side elevation view thereof;
FIG. 5 is a right side elevation view thereof;
FIG. 6 is a front elevation view thereof; and,
FIG. 7 is a back elevation view thereof.

1 Claim, 6 Drawing Sheets



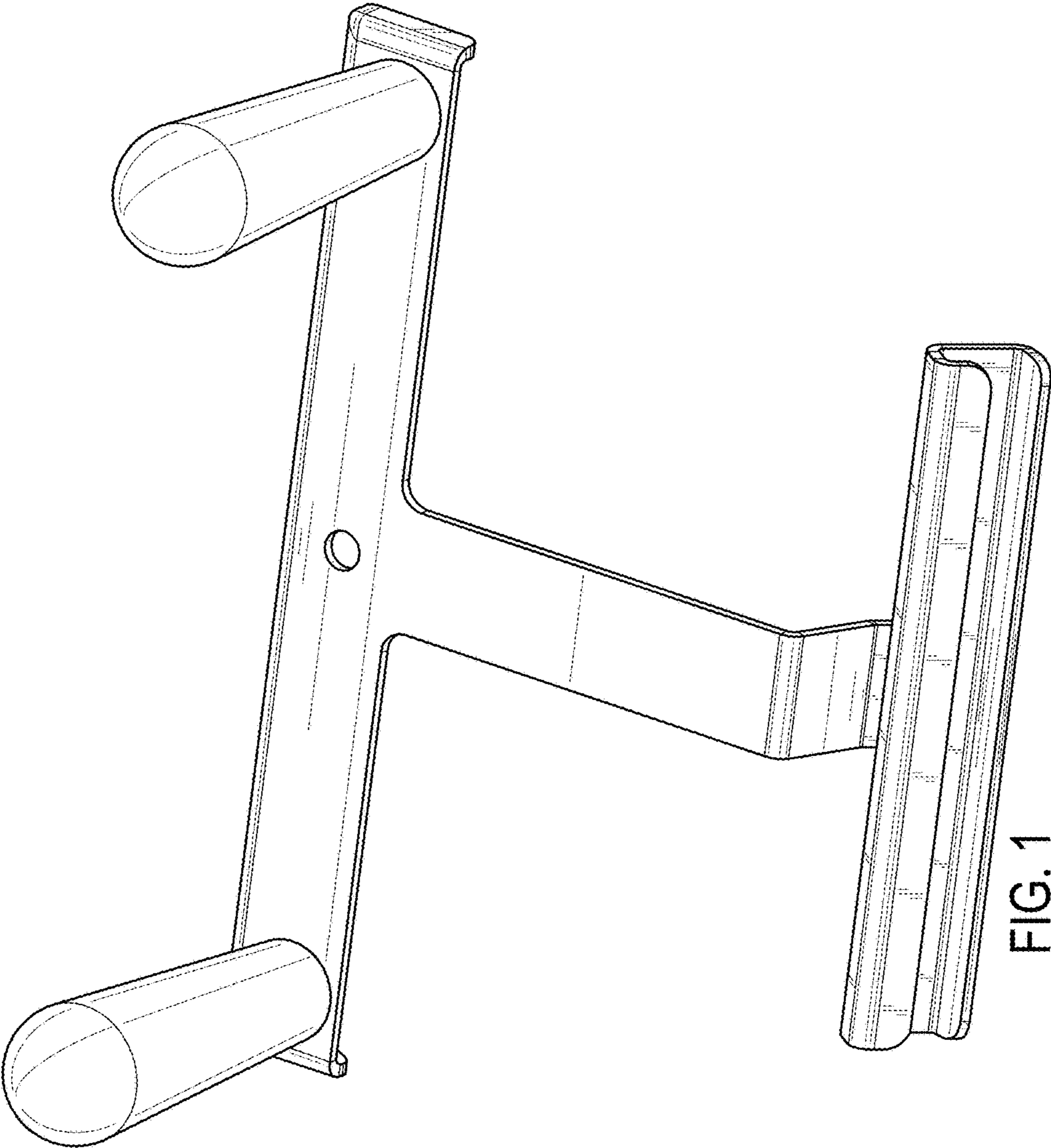


FIG. 1

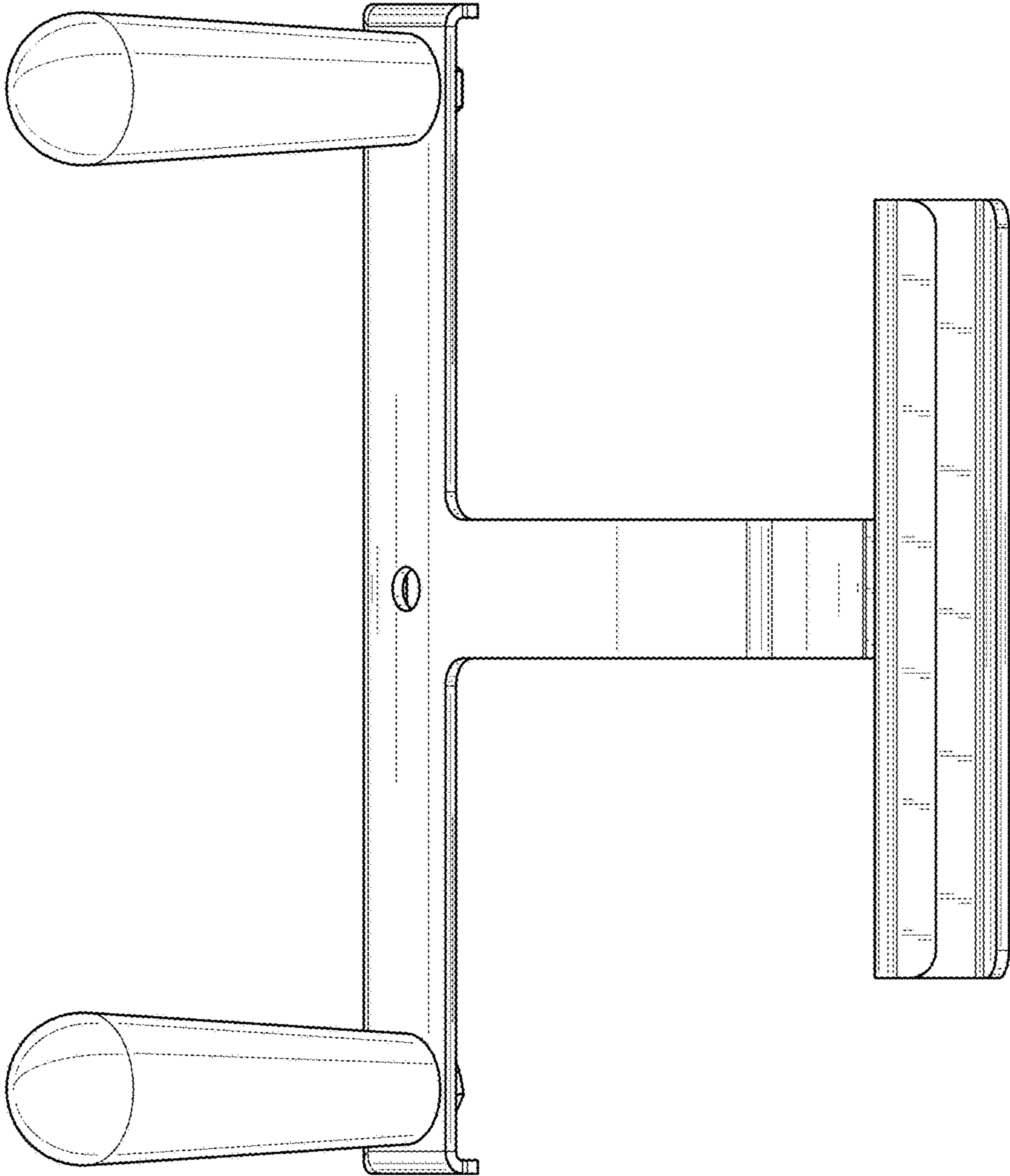


FIG. 2

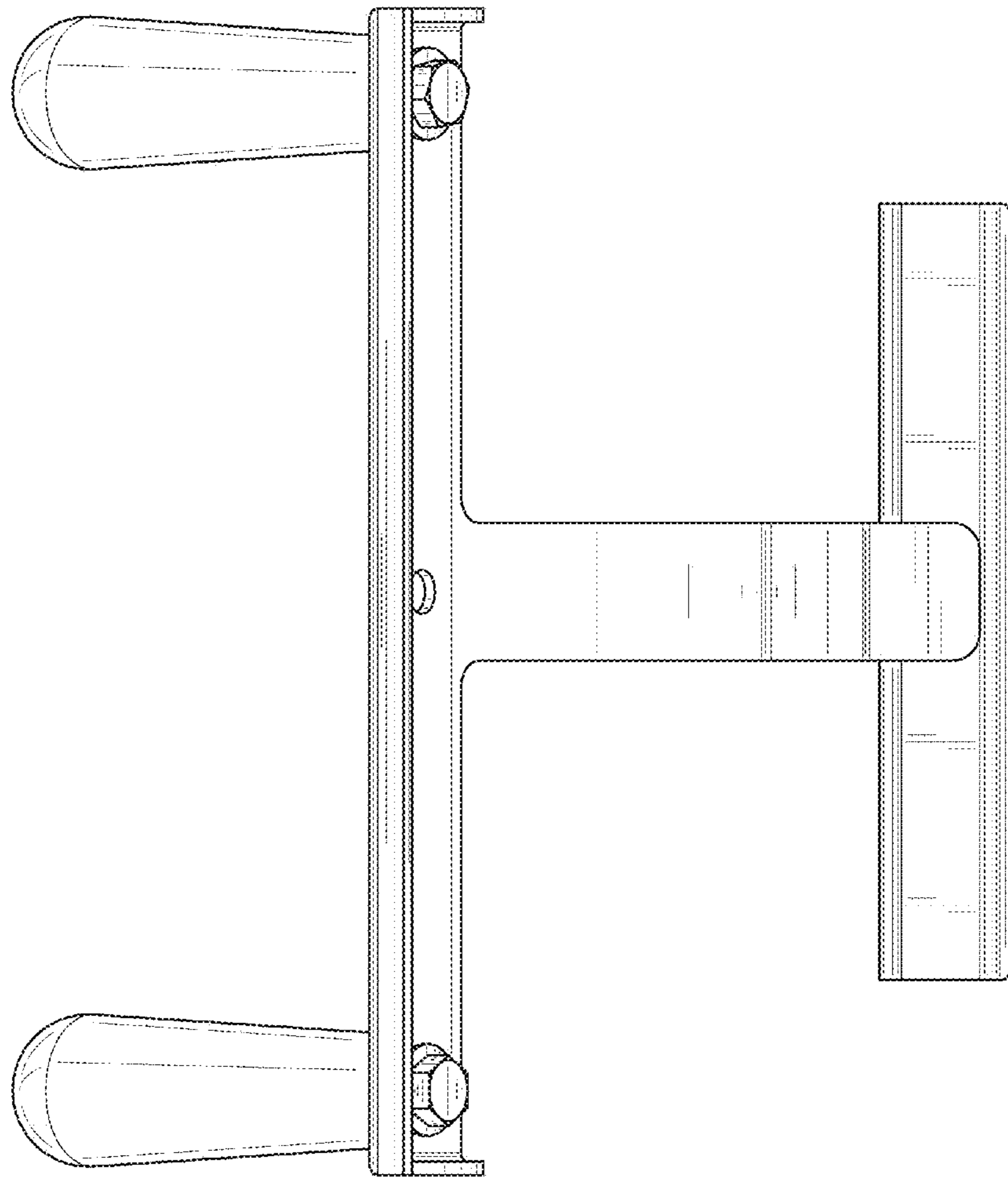


FIG. 3

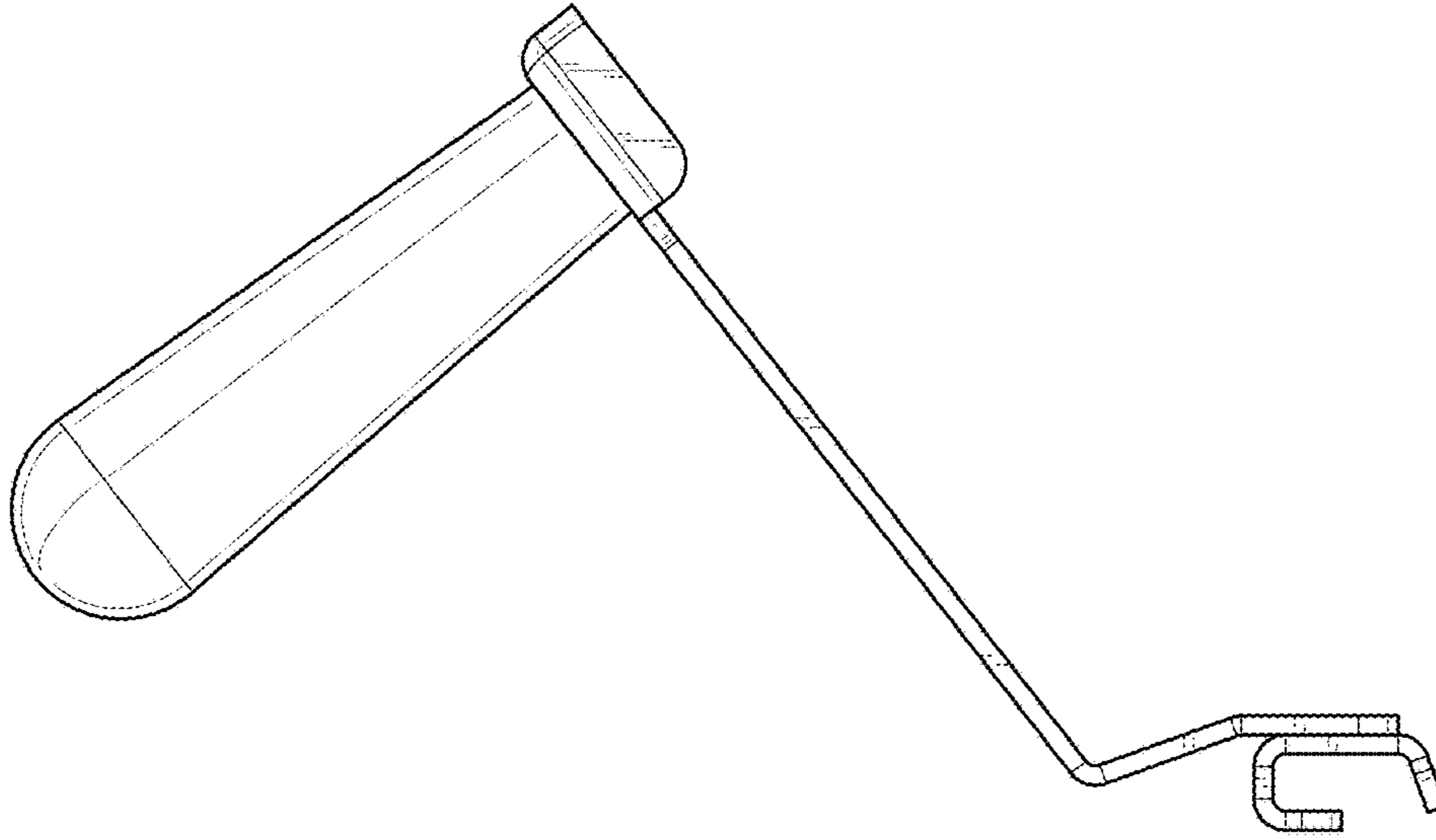


FIG. 5

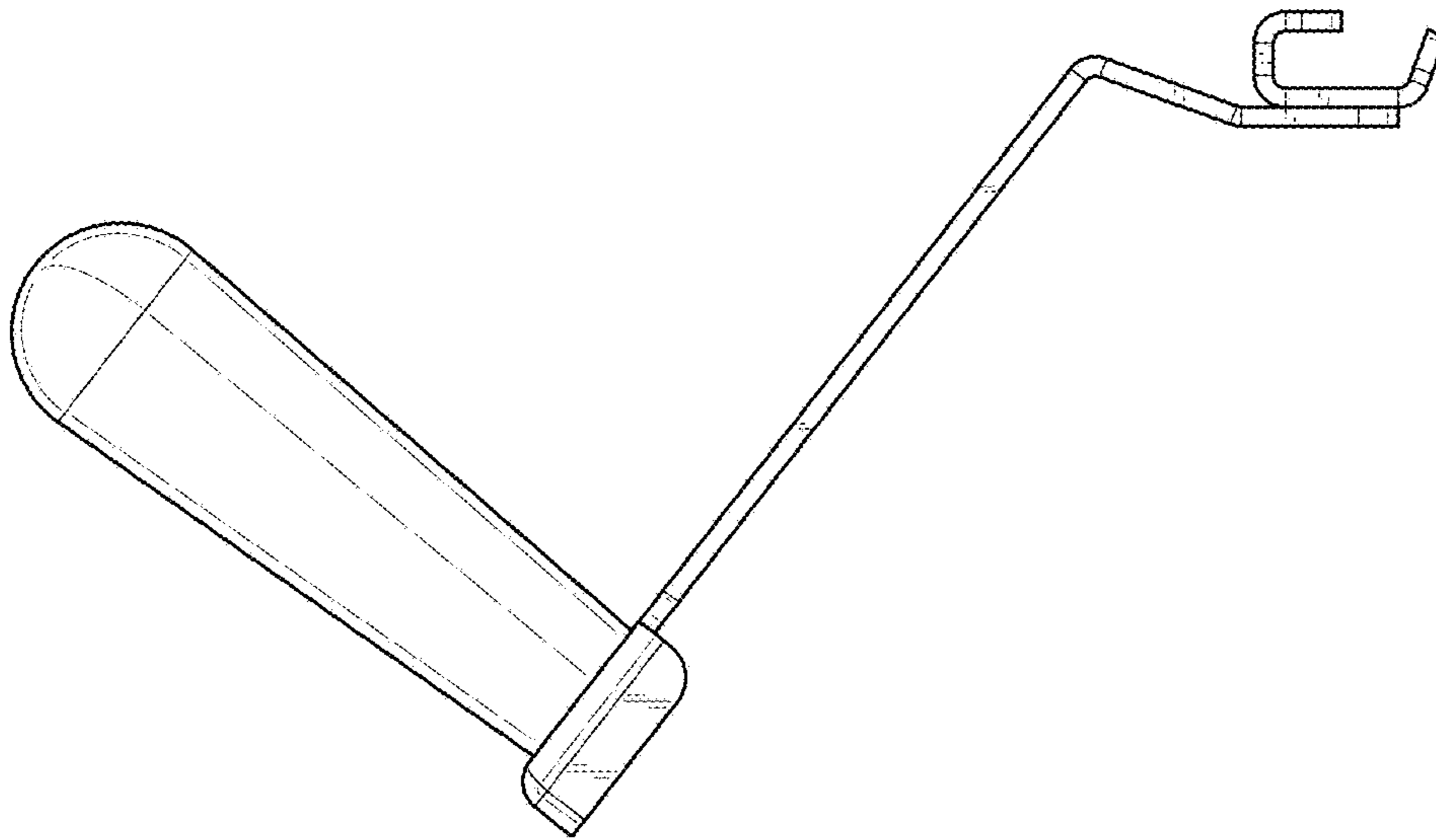


FIG. 4

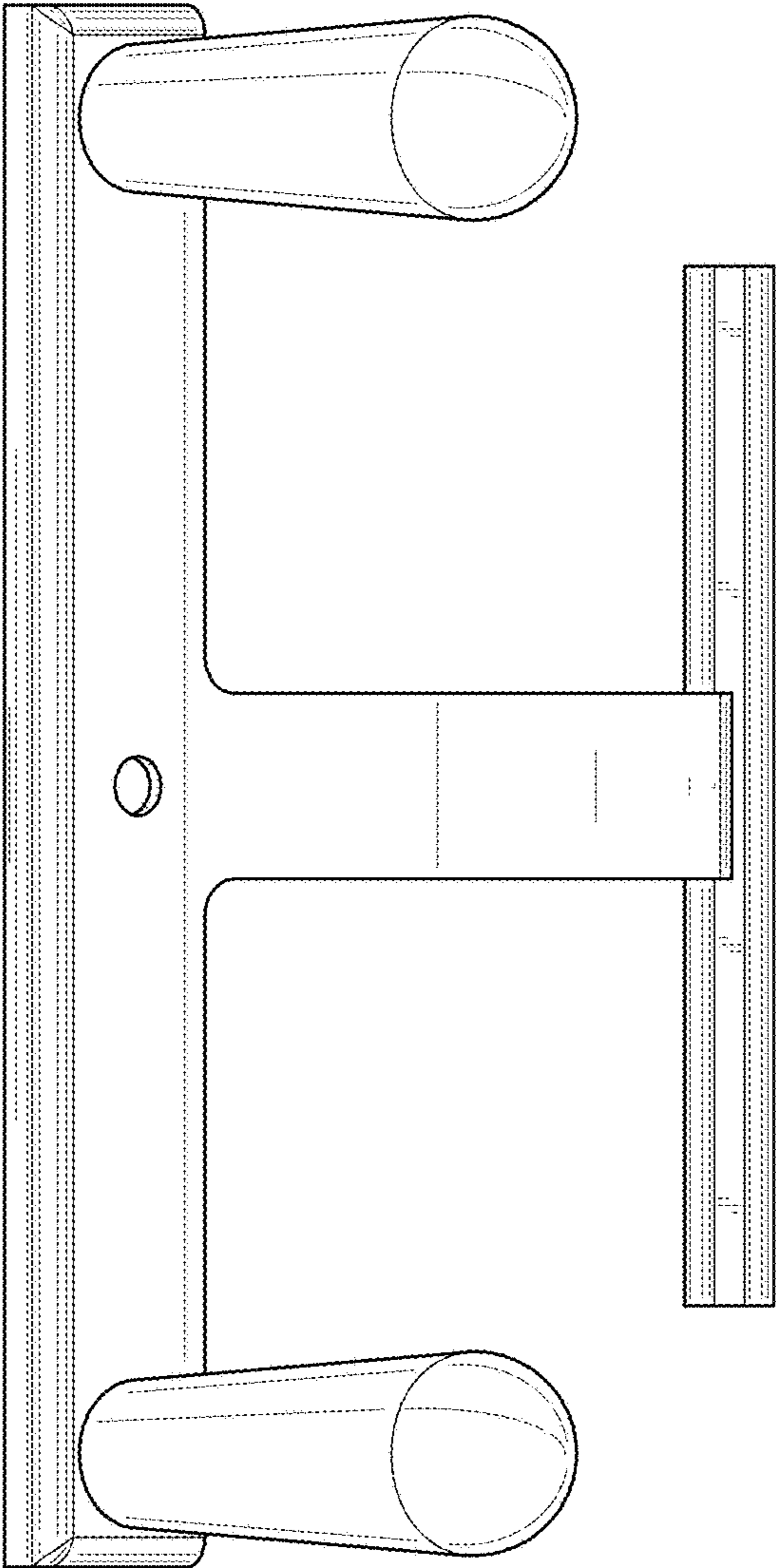


FIG. 6

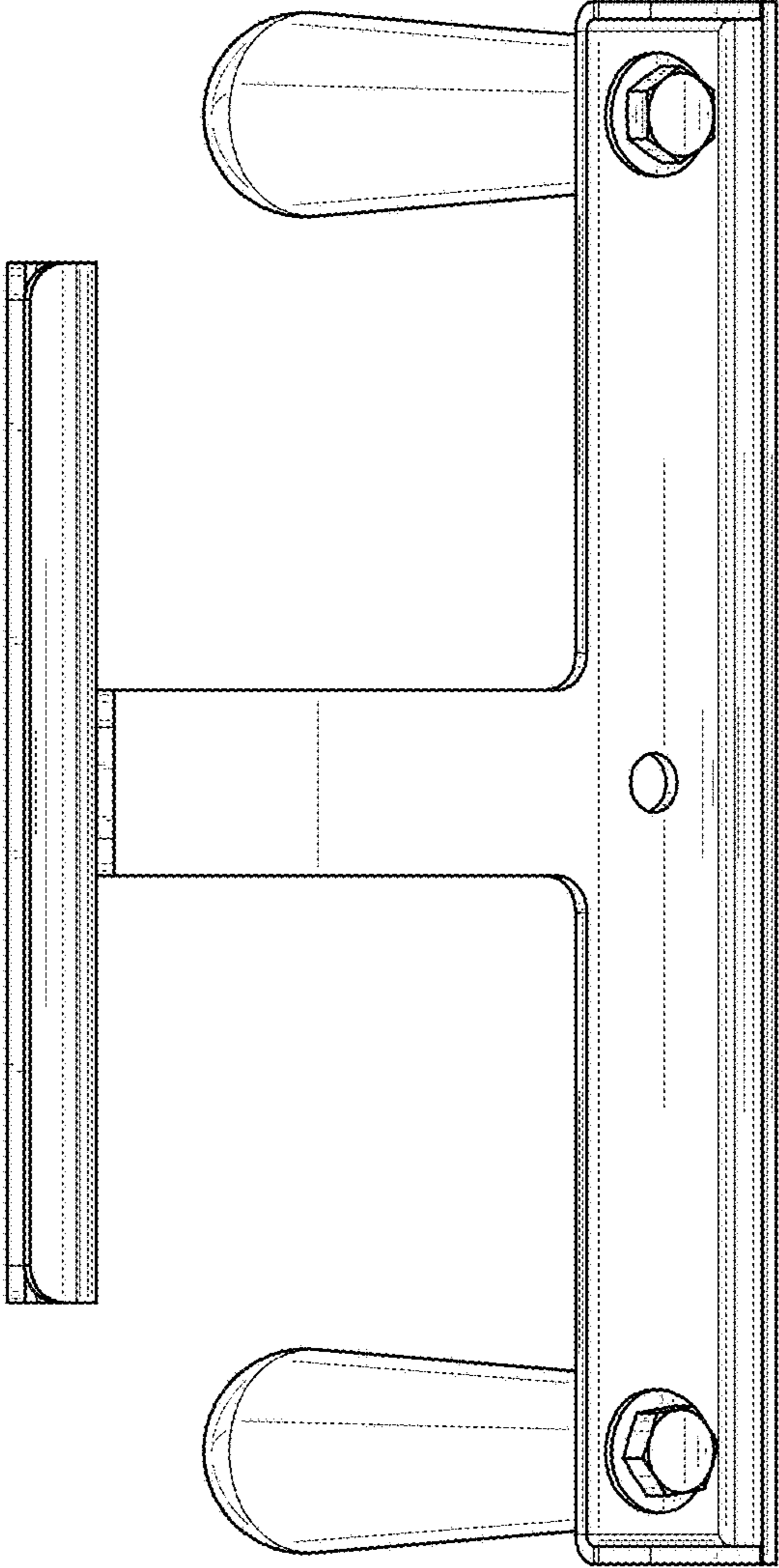


FIG. 7