



US00D857446S

(12) **United States Design Patent** (10) **Patent No.:** **US D857,446 S**
Bell et al. (45) **Date of Patent:** **** Aug. 27, 2019**

- (54) **WATER BOTTLE CAP**
- (71) Applicant: **Brita LP**, Oakland, CA (US)
- (72) Inventors: **Russell E. Bell**, Pleasanton, CA (US);
Rick T. Nishijima, Pleasanton, CA (US); **Elizabeth A. Buzzard**,
Pleasanton, CA (US); **John B. Glauber**,
Pleasanton, CA (US)
- (73) Assignee: **Brita LP**, Oakland, CA (US)
- (**) Term: **15 Years**
- (21) Appl. No.: **29/640,554**
- (22) Filed: **Mar. 15, 2018**
- (51) **LOC (12) Cl.** **07-99**
- (52) **U.S. Cl.**
USPC **D7/392.1; D9/443**
- (58) **Field of Classification Search**
USPC D9/414, 416, 425, 434, 435, 436, 438,
D9/439, 440, 442, 443, 446-450,
D9/452-457, 499, 503-505, 682, 685,
D9/686; D7/387, 391, 392, 392.1, 393,
D7/394, 396.1-396.4, 401.1, 503-505,
D7/509-511, 538, 900; D3/201, 202,
D3/203.2, 318; D28/91, 91.1
CPC .. A61J 1/00; A61J 1/1412; B65D 1/00; B65D
1/02; B65D 1/10; B65D 1/46; B65D
2585/56; B65D 2585/545; B65D 41/00;
B65D 41/38; B65D 41/56; B65D 41/62;
B65D 47/00; B65D 47/06; B65D 47/08;
B65D 2543/00046; B65D 2543/00092;
B65D 2543/00296; B65D 5/46; B65D
2251/00
See application file for complete search history.

- (56) **References Cited**
U.S. PATENT DOCUMENTS
D197,926 S * 4/1964 Stull 220/212
D421,389 S * 3/2000 Briere D9/438

- D444,064 S * 6/2001 Crawford D9/439
 - D511,965 S * 11/2005 Luc D9/425
 - 8,215,511 B1 * 7/2012 Lin B65D 51/242
215/228
 - D666,495 S * 9/2012 Biesecker D9/445
 - D679,541 S * 4/2013 Samartgis D7/392.1
 - D755,561 S * 5/2016 Eyal D7/392.1
 - D758,859 S * 6/2016 Sorensen D7/393
 - D762,117 S * 7/2016 Joseph D7/387
 - D762,418 S * 8/2016 Sorensen D7/511
 - D774,392 S * 12/2016 Broad D9/434
 - D786,012 S * 5/2017 Hein D7/396.2
 - D804,304 S * 12/2017 Pearson D9/443
 - D806,468 S * 1/2018 Goodwin D7/392.1
 - D808,282 S * 1/2018 Weber D9/726
 - D809,384 S * 2/2018 Best D9/443
 - D817,085 S * 5/2018 Davis D7/392.1
- (Continued)

Primary Examiner — Michael A. Pratt
Assistant Examiner — Wendy L Arminio
 (74) *Attorney, Agent, or Firm* — Thomas C. Feix

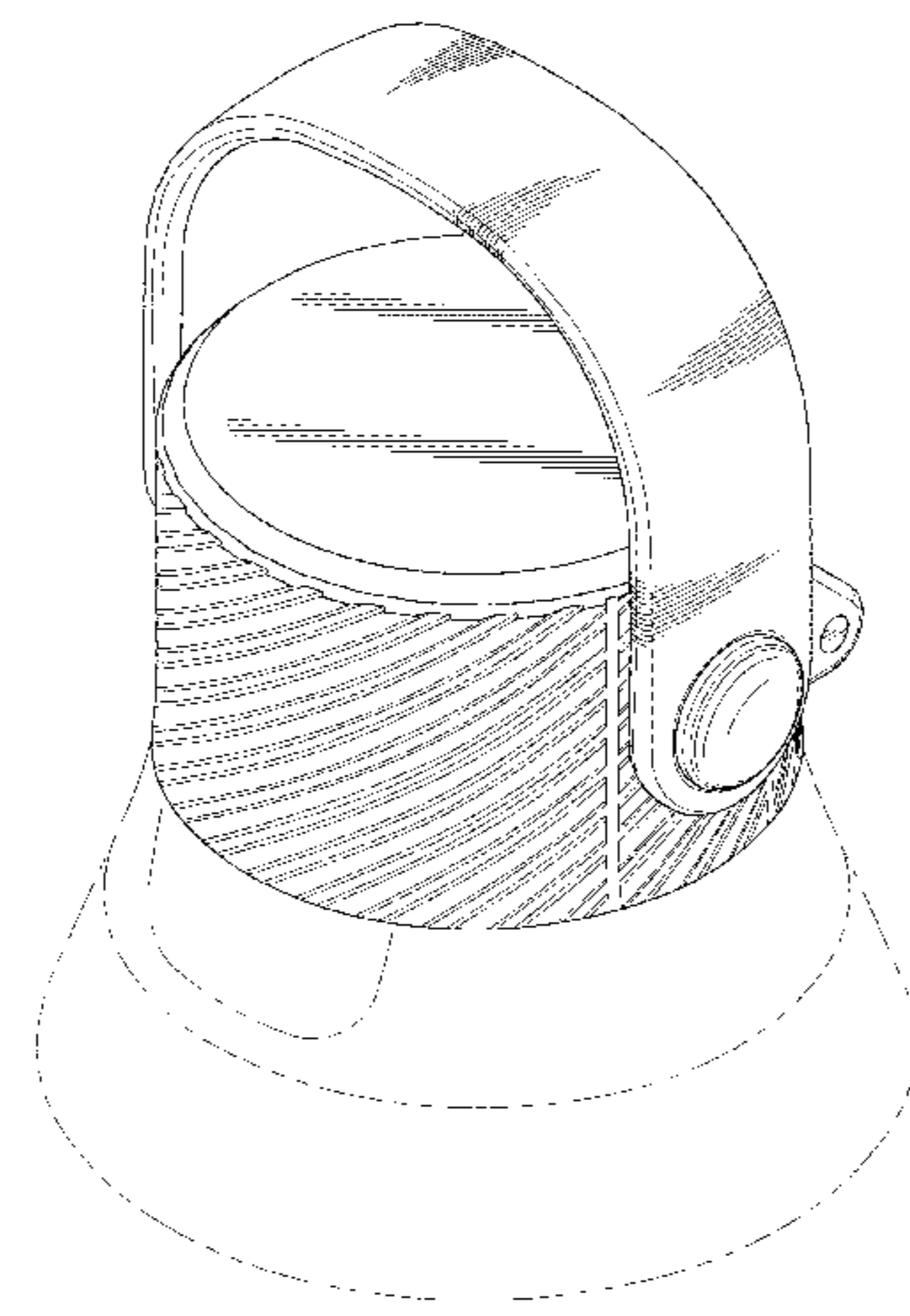
(57) **CLAIM**

The ornamental design for a water bottle cap, as shown and described.

DESCRIPTION

FIG. 1 is a front perspective view of a water bottle cap;
 FIG. 2 is a top view of the water bottle cap of FIG. 1;
 FIG. 3 is a bottom view of the water bottle cap of FIG. 1;
 FIG. 4 is a front view of the water bottle cap of FIG. 1;
 FIG. 5 is a back view of the water bottle cap of FIG. 1; and,
 FIG. 6 is a right side view of the water bottle cap of FIG. 1,
 the left side being a mirror image thereof.
 The dot-dot-dash broken lines illustrate environmental
 structure and form no part of the claimed design. All other
 broken lines depict portions of the water bottle cap that form
 no part of the claimed design.

1 Claim, 6 Drawing Sheets



(56)

References Cited

U.S. PATENT DOCUMENTS

D828,722 S * 9/2018 Davis D7/510
D830,783 S * 10/2018 Diener D7/608
2008/0078787 A1* 4/2008 Yelland A45F 3/16
224/148.1
2016/0318693 A1* 11/2016 Hein B65D 41/0442

* cited by examiner

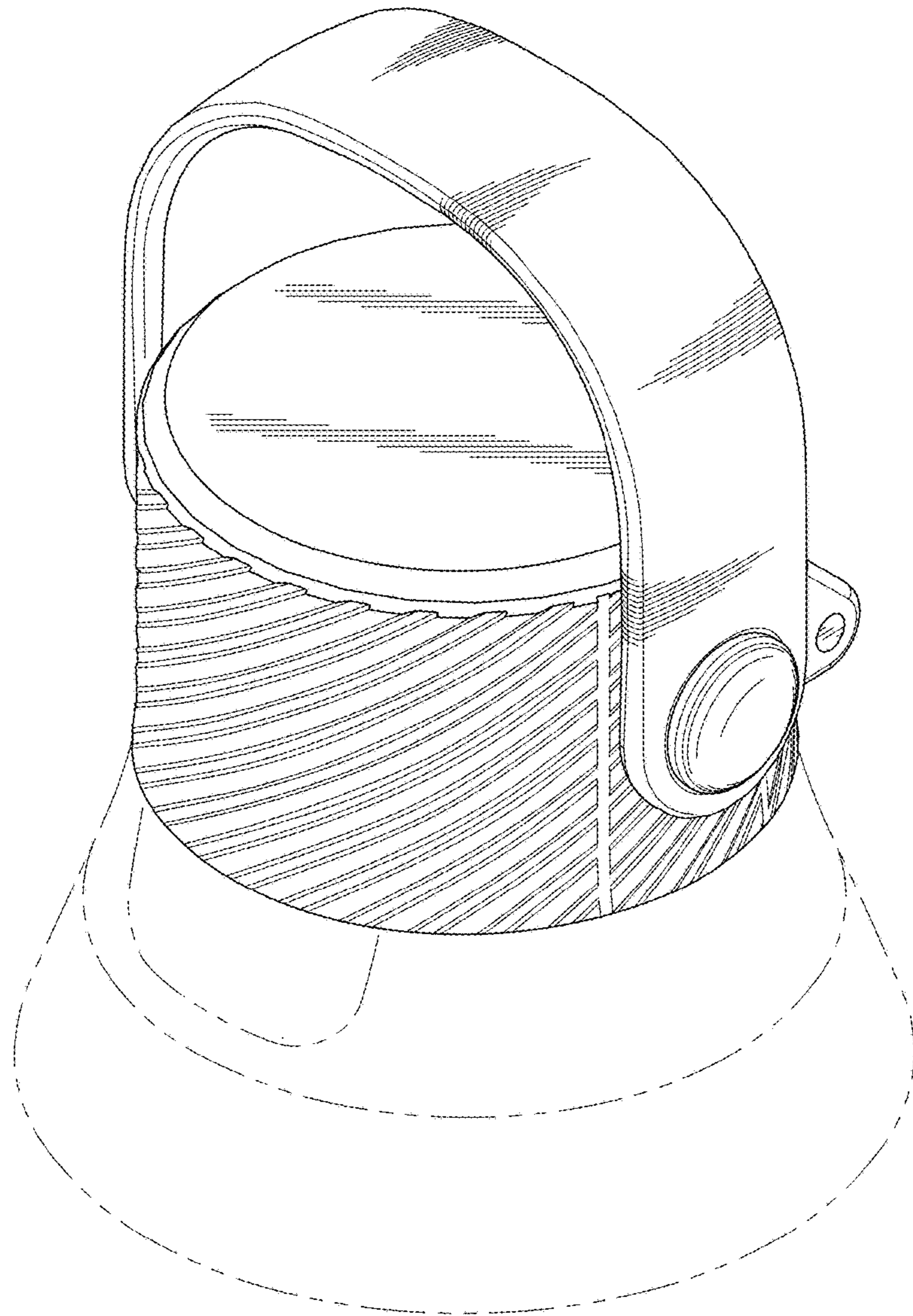


FIG. 1

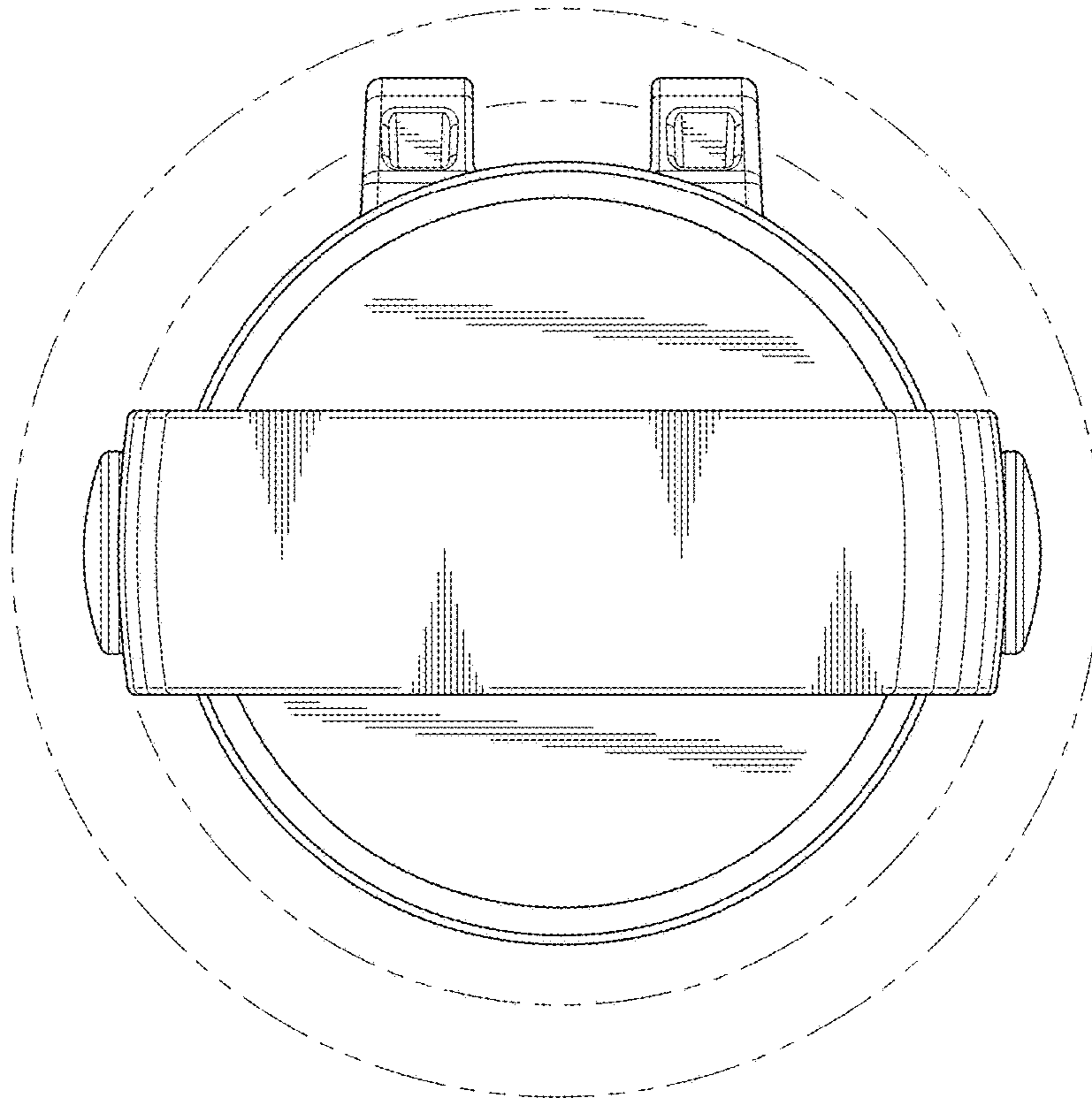


FIG. 2

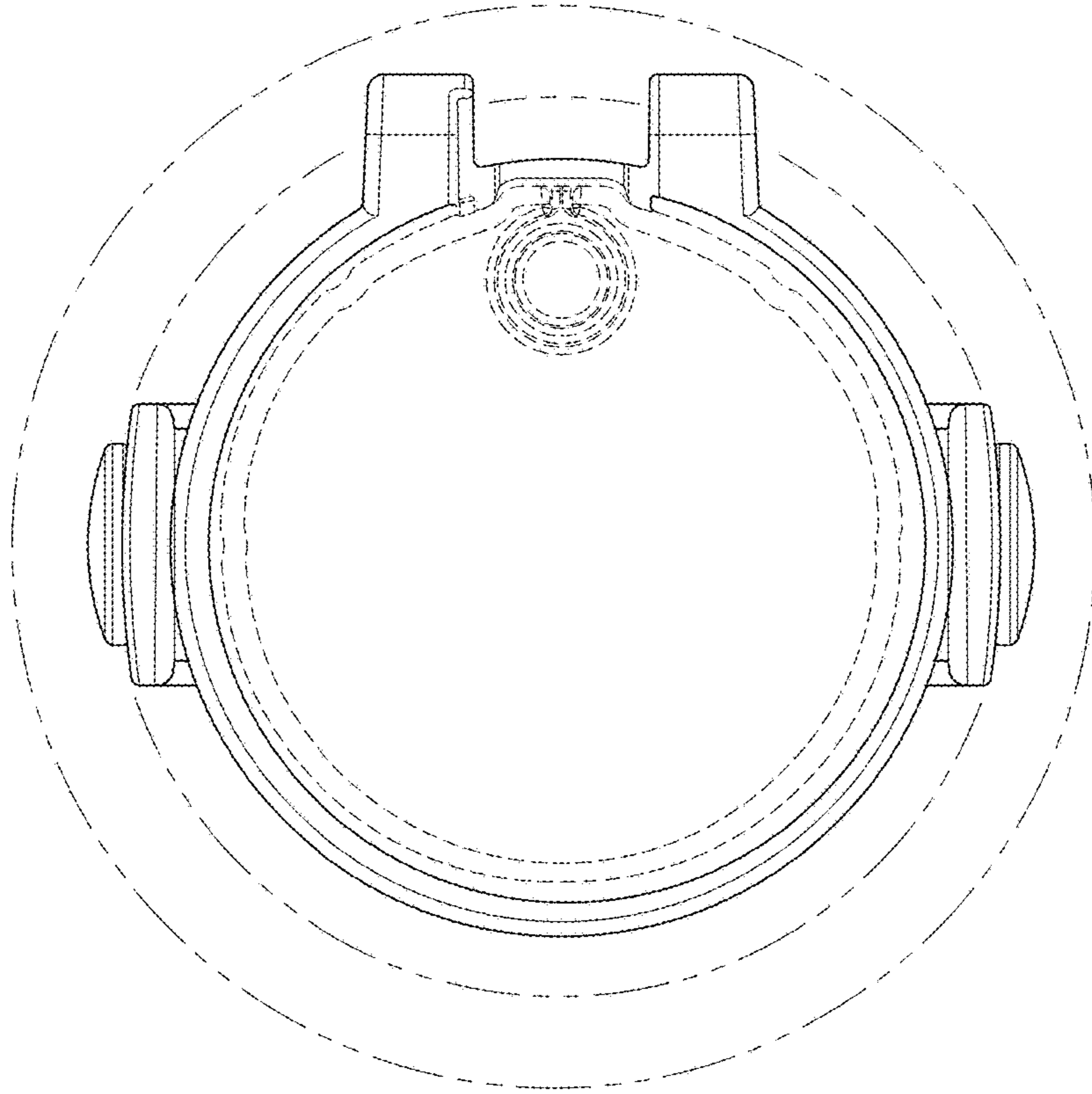


FIG. 3

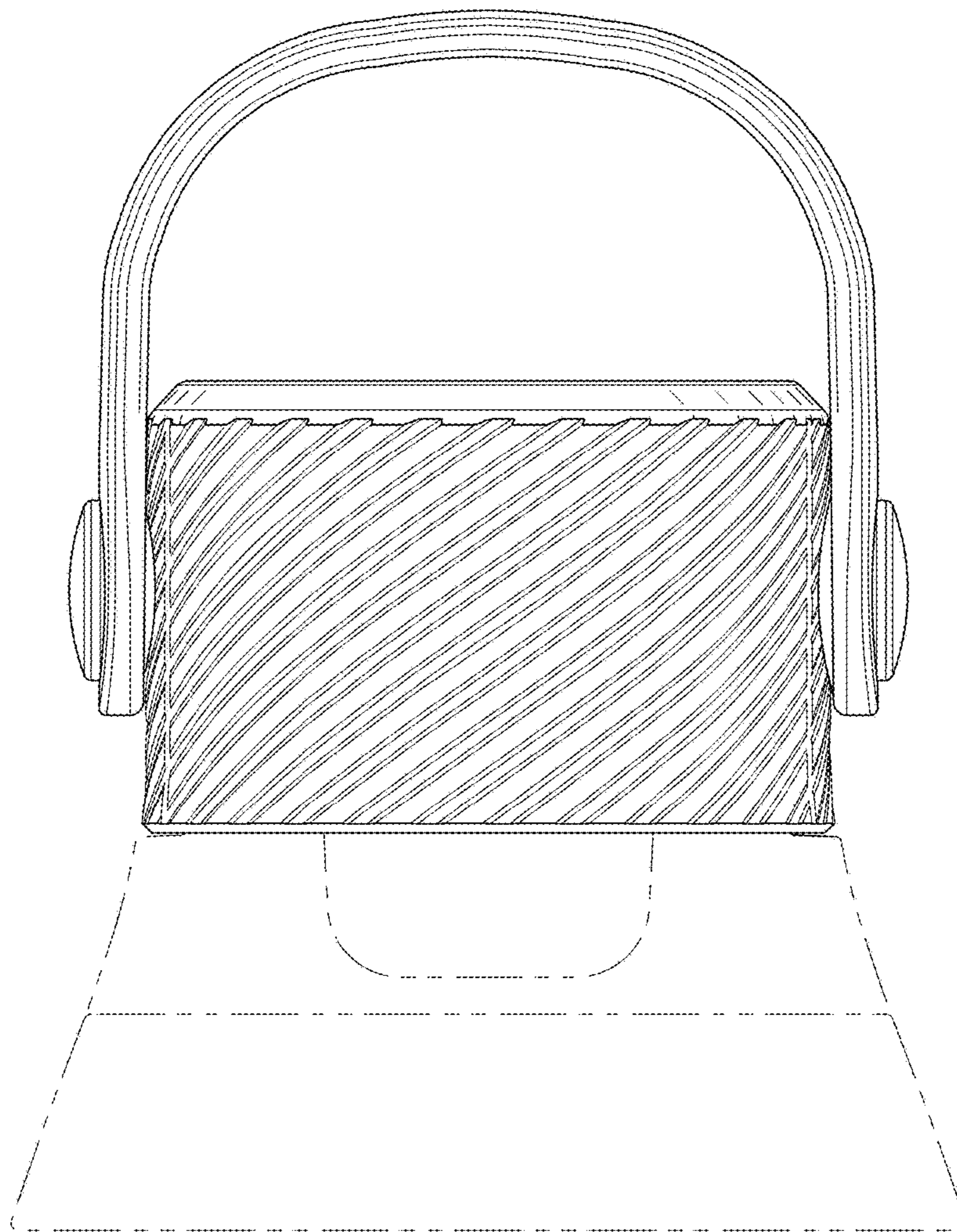


FIG. 4

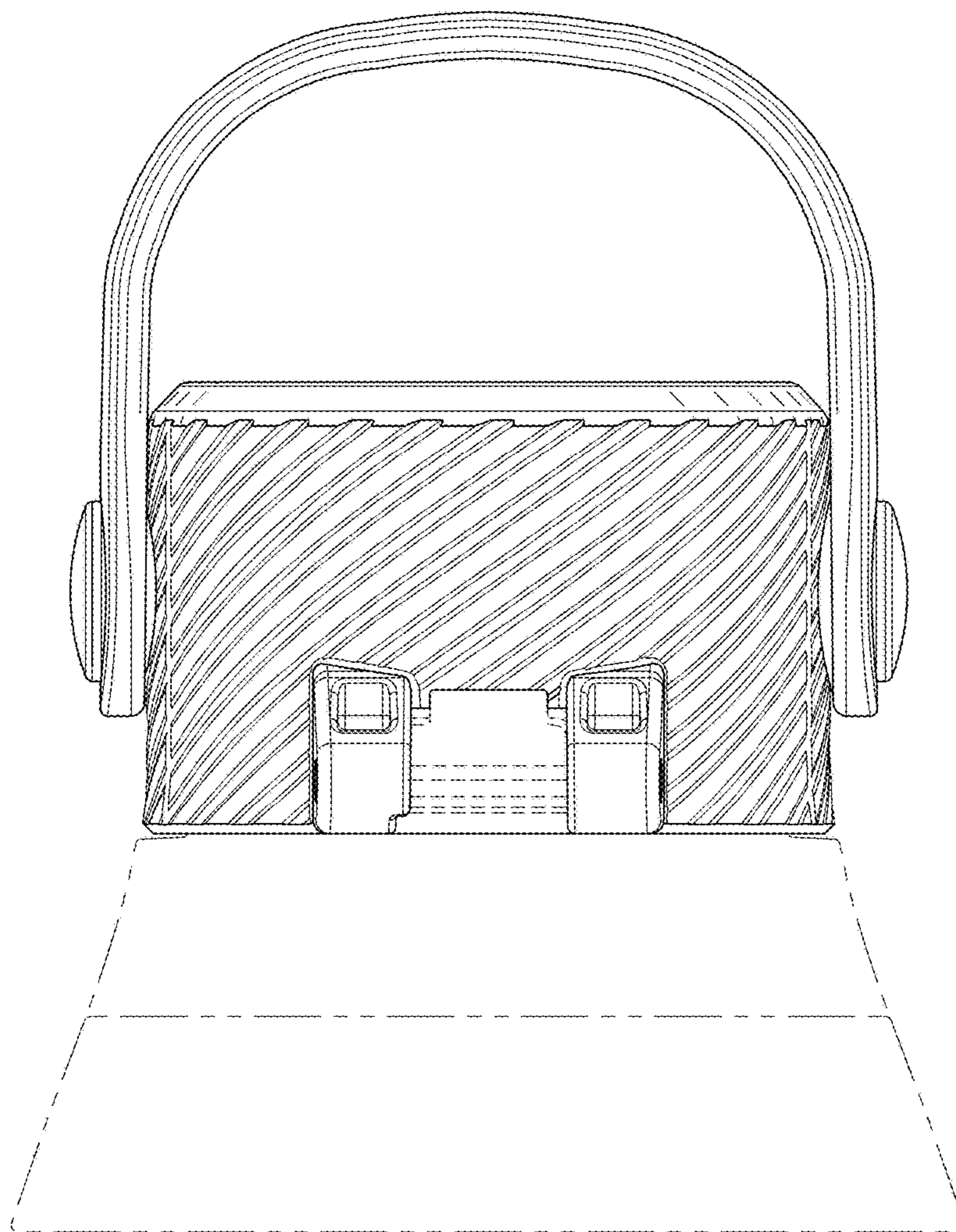


FIG. 5

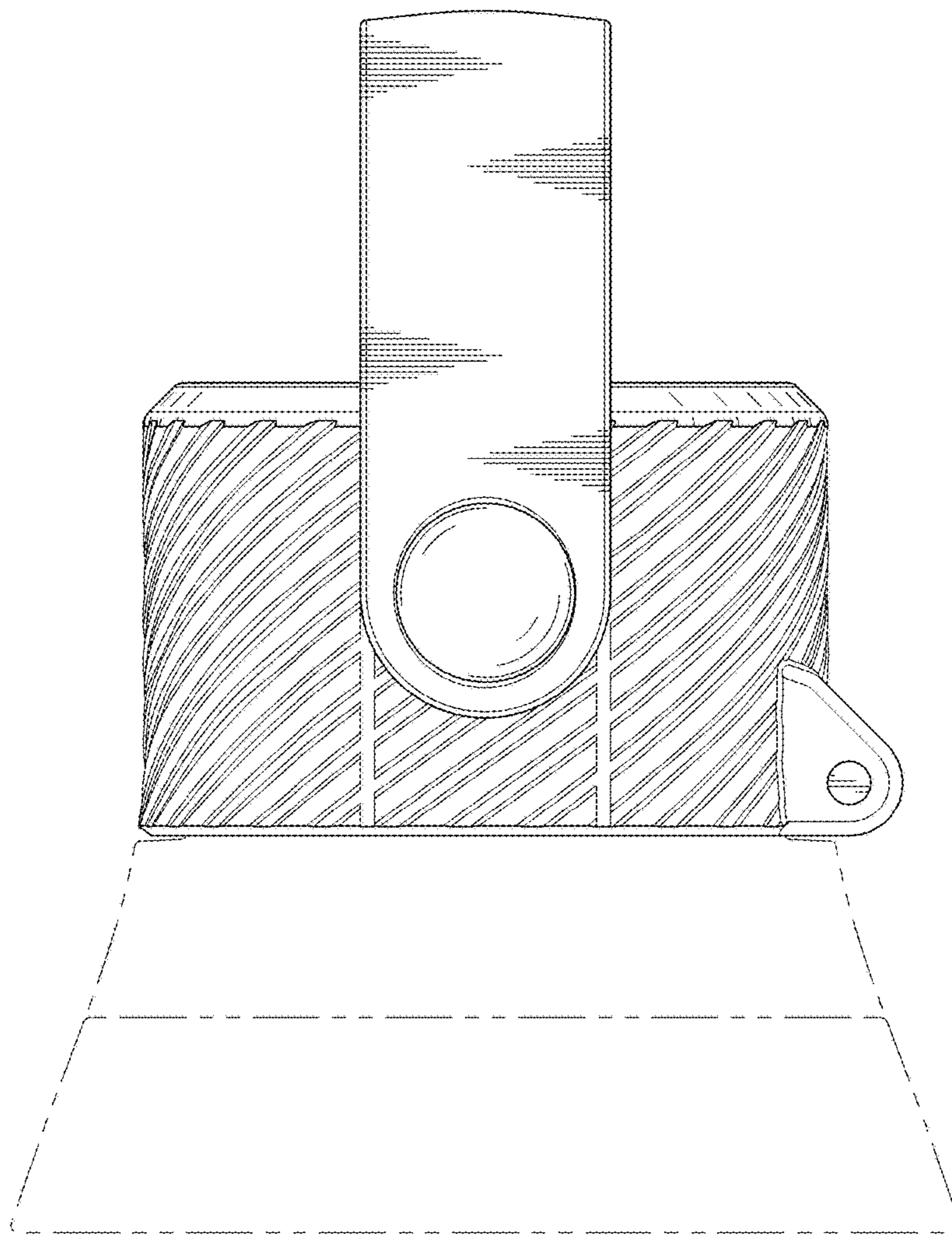


FIG. 6