



US00D857445S

(12) **United States Design Patent** (10) **Patent No.:** **US D857,445 S**
Keung (45) **Date of Patent:** **** Aug. 27, 2019**

(54) **BOTTLE CLOSURE**
(71) Applicant: **O2COOL, LLC**, Chicago, IL (US)
(72) Inventor: **Ngan Chi Keung**, Tuen Mun (HK)
(73) Assignee: **O2COOL, LLC**, Chicago, IL (US)
(**) Term: **15 Years**
(21) Appl. No.: **29/638,670**
(22) Filed: **Feb. 28, 2018**
(51) **LOC (12) Cl.** **07-99**
(52) **U.S. Cl.**
USPC **D7/392.1**; D9/443; D9/448; D9/449
(58) **Field of Classification Search**
USPC D9/414, 416, 425, 434, 435, 436, 438,
D9/439, 440, 442, 443, 446-450,
D9/452-457, 499, 503-505, 682, 685,
D9/686; D7/387, 391, 392, 392.1, 393,
D7/394, 396.1-396.4, 401.1, 503-505,
D7/509-511, 538, 900; D3/201, 202,
D3/203.2, 318; D28/91, 91.1
CPC .. A61J 1/00; A61J 1/1412; B65D 1/00; B65D
1/02; B65D 1/10; B65D 1/46; B65D
2585/56; B65D 2585/545; B65D 41/00;
B65D 41/38; B65D 41/56; B65D 41/62;
B65D 47/00; B65D 47/06; B65D 47/08;
B65D 2543/00046; B65D 2543/00092;
B65D 2543/00296; B65D 5/46; B65D
2251/00
See application file for complete search history.

(56) **References Cited**
U.S. PATENT DOCUMENTS
D547,607 S * 7/2007 Forsman D7/396.2
D629,644 S * 12/2010 Zhuang D7/392.1
D649,879 S * 12/2011 Gullickson D9/443
D682,034 S * 5/2013 El-Saden D7/510
D700,014 S * 2/2014 Zeanah D7/510

D700,515 S * 3/2014 Herbst D9/448
D729,569 S * 5/2015 Herbst D7/392
D734,151 S * 7/2015 Herbst D9/448
D745,827 S * 12/2015 Sorensen D7/392.1
D748,943 S * 2/2016 Miller D7/392.1
D756,702 S * 5/2016 Joseph D7/392.1
D763,688 S * 8/2016 Breit D9/443
D768,491 S * 10/2016 Sorensen D9/449
9,790,007 B2 * 10/2017 Sorensen A47G 19/00
D814,855 S * 4/2018 Hammer D7/392.1
D817,084 S * 5/2018 Hammer D7/392.1
D818,317 S * 5/2018 Fu D7/510
D818,774 S * 5/2018 Stover D7/510
D820,637 S * 6/2018 Davis D7/392.1
D823,061 S * 7/2018 Murosky D7/510
D838,549 S * 1/2019 Gu D7/510

(Continued)

Primary Examiner — Michael A. Pratt
Assistant Examiner — Wendy L Arminio
(74) *Attorney, Agent, or Firm* — Thompson Coburn LLP

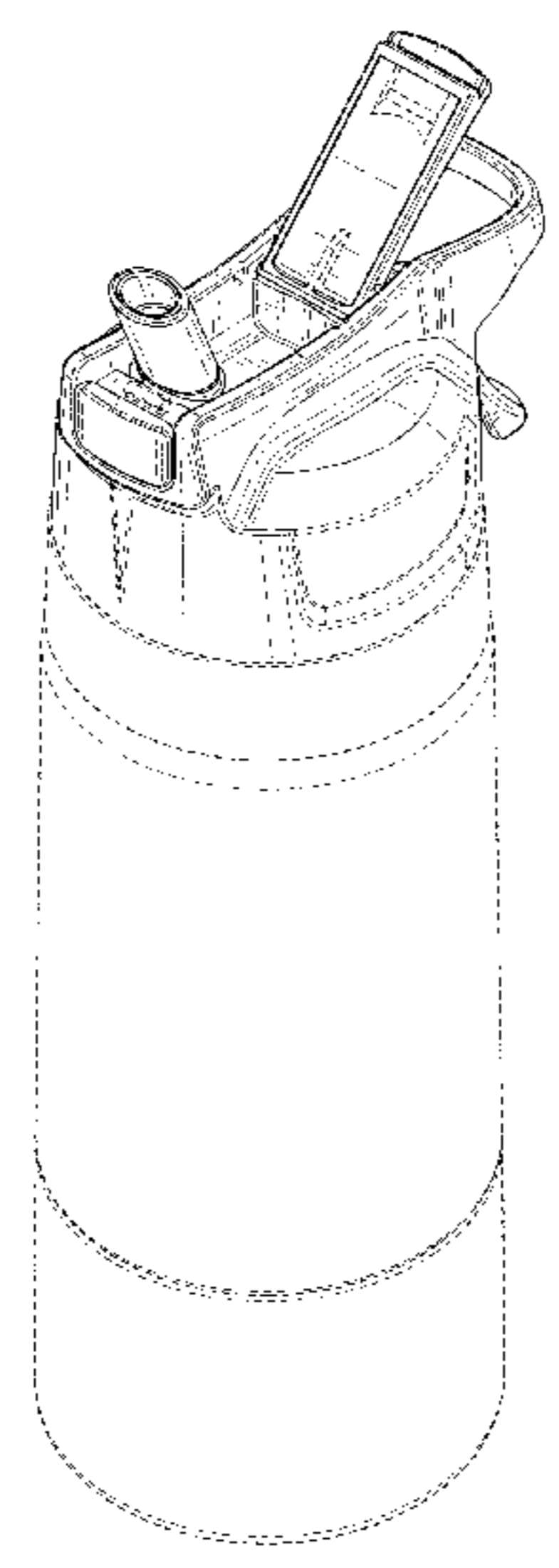
(57) **CLAIM**

The ornamental design for a bottle closure, as shown and described.

DESCRIPTION

FIG. 1 is a perspective view of a bottle closure showing my new design;
FIG. 2 is a second perspective view thereof;
FIG. 3 is a third perspective view thereof;
FIG. 4 is a fourth perspective view thereof;
FIG. 5 is a front view thereof;
FIG. 6 is a rear view thereof;
FIG. 7 is a left side view thereof;
FIG. 8 is a right side view thereof; and,
FIG. 9 is a top view thereof.
The broken lines immediately adjacent to the shaded areas depict the bounds of the claimed design and form no part thereof. All other broken lines illustrate environment and form no part of the claimed design.

1 Claim, 9 Drawing Sheets



(56)

References Cited

U.S. PATENT DOCUMENTS

2006/0226110 A1* 10/2006 Choi A47G 19/2266
215/228
2012/0187075 A1* 7/2012 El-Saden B65D 47/066
215/389
2014/0048511 A1* 2/2014 El-Saden A45F 3/16
215/389
2015/0173539 A1* 6/2015 Mason A47G 19/2272
220/707
2015/0201775 A1* 7/2015 Sorensen A47G 19/2266
222/482

* cited by examiner

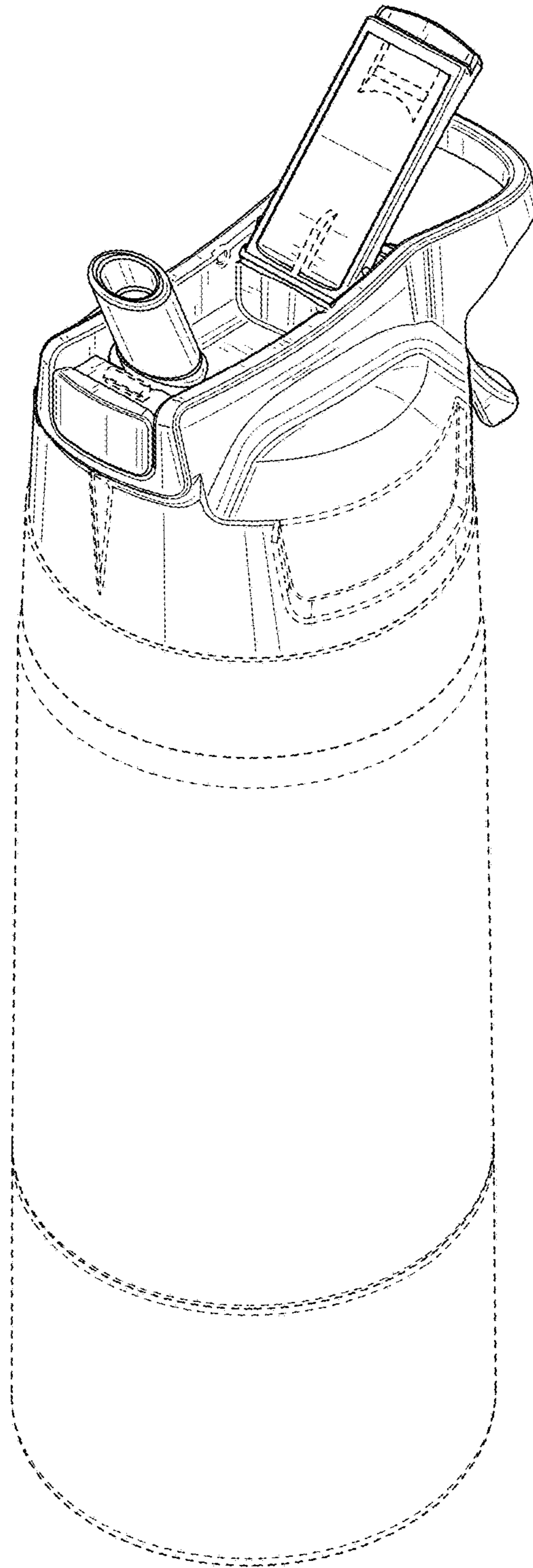


FIG. 1

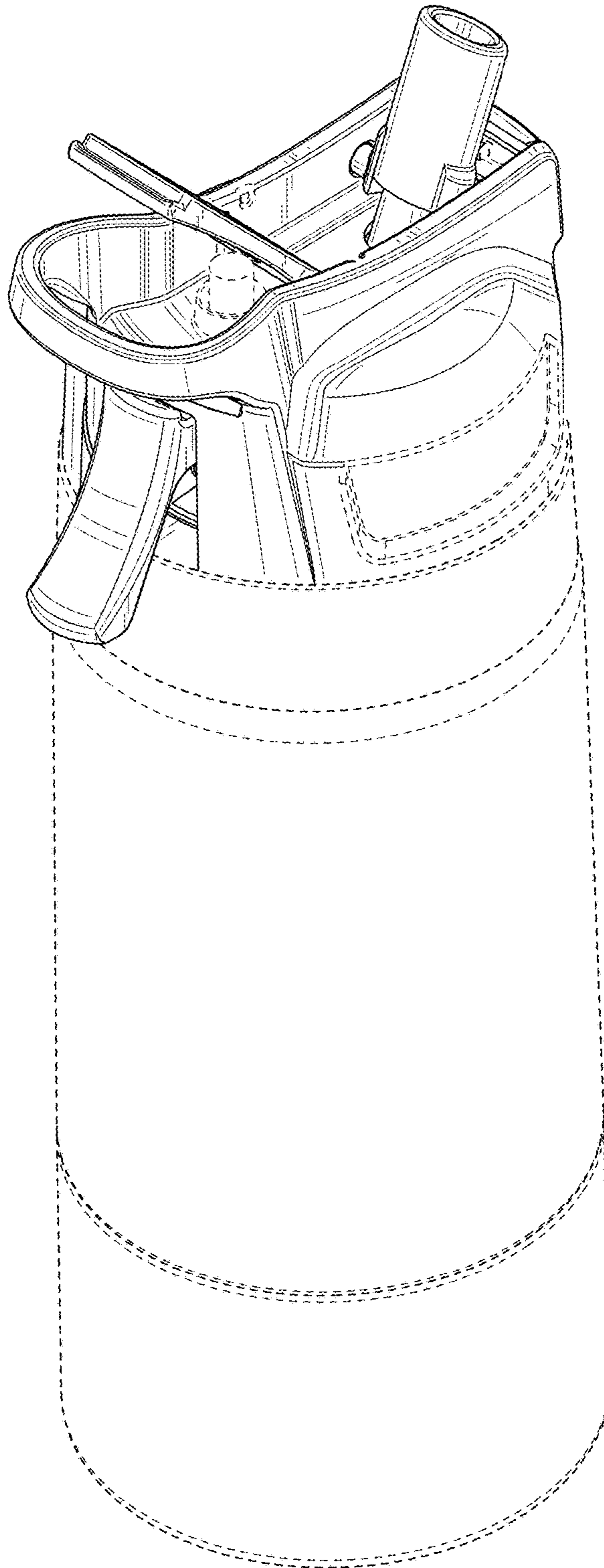


FIG. 2

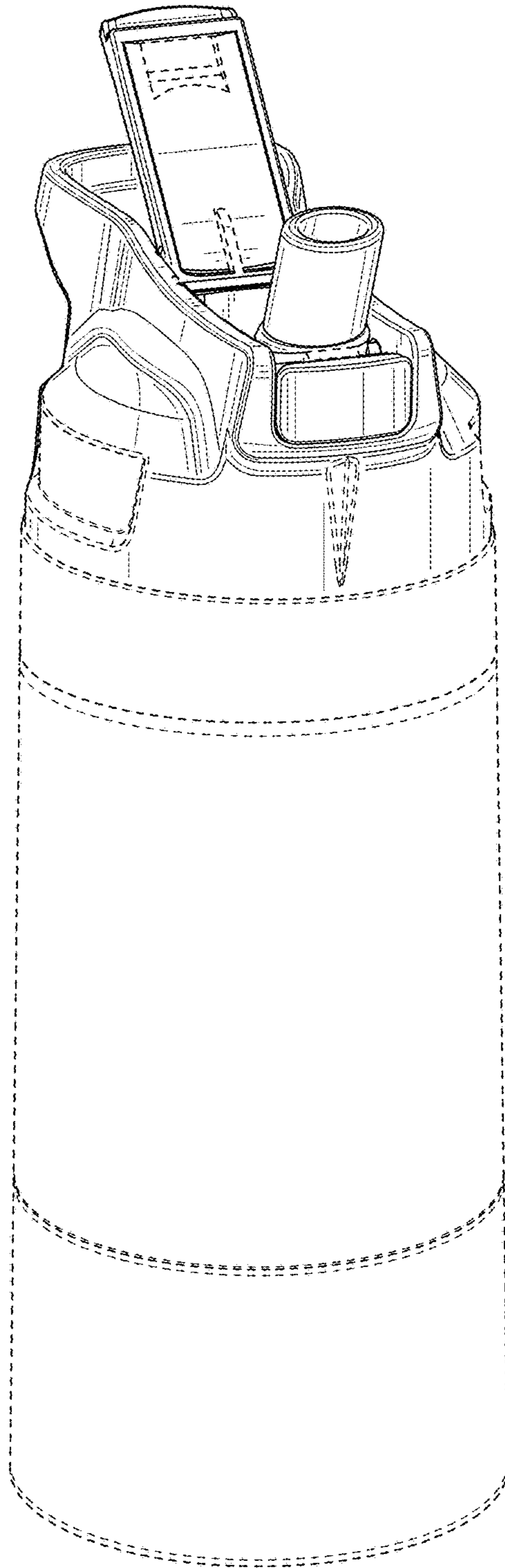


FIG. 3

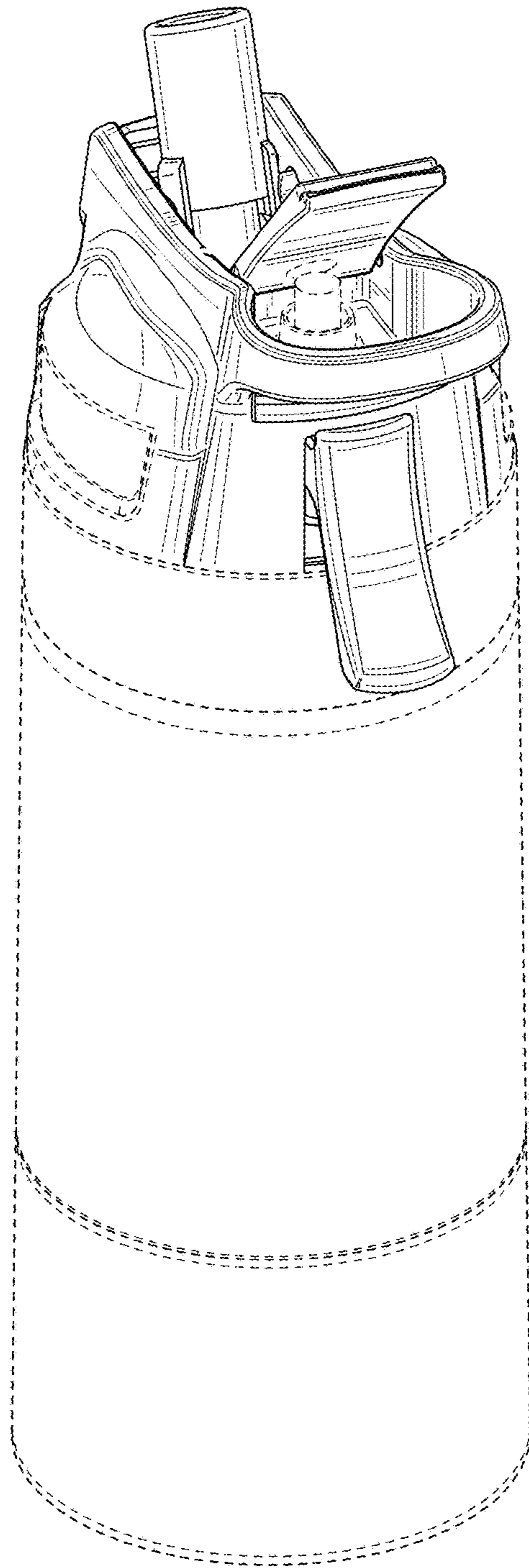


FIG. 4

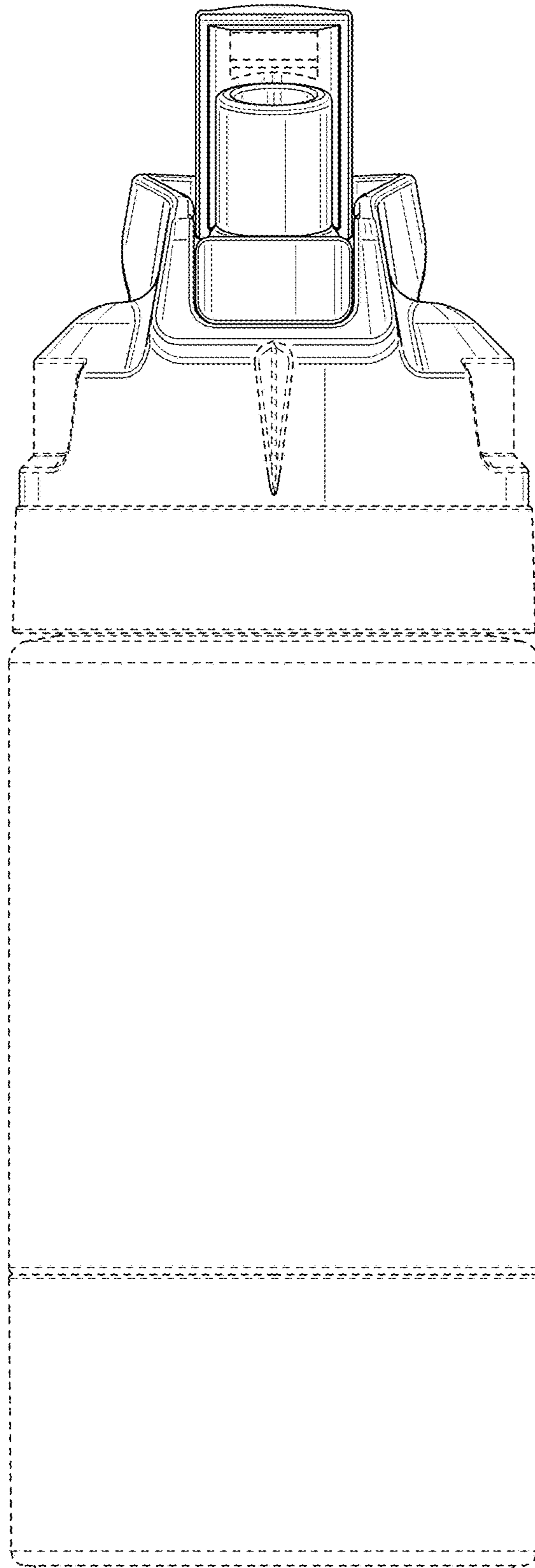


FIG. 5

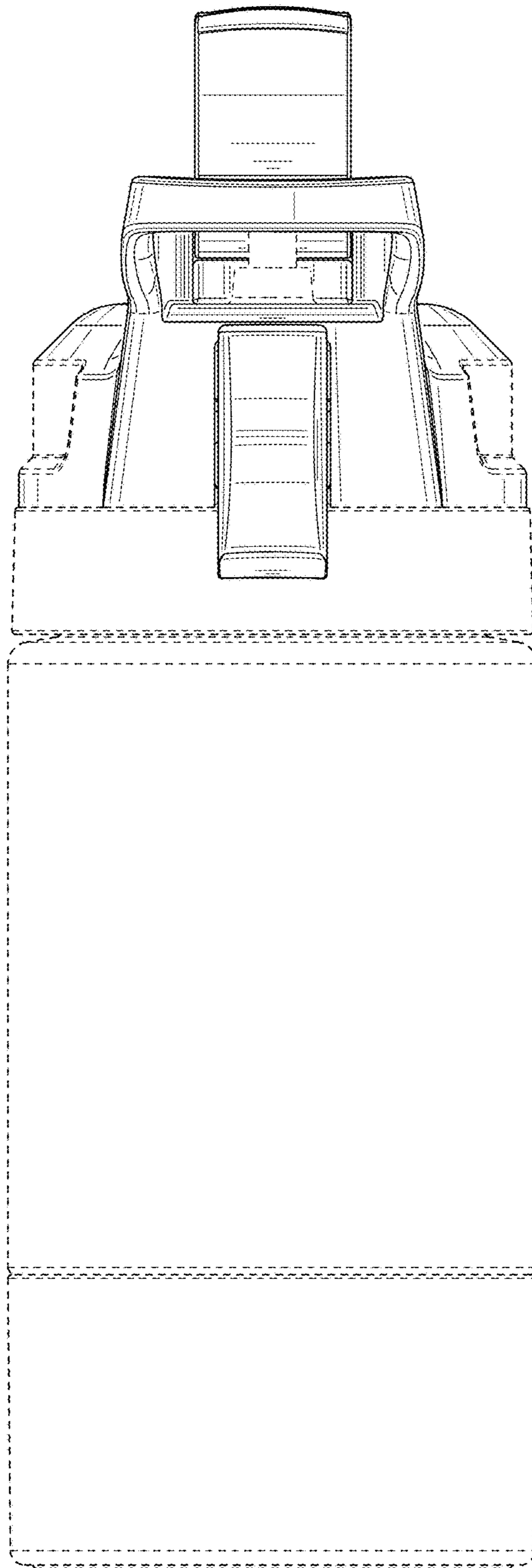


FIG. 6

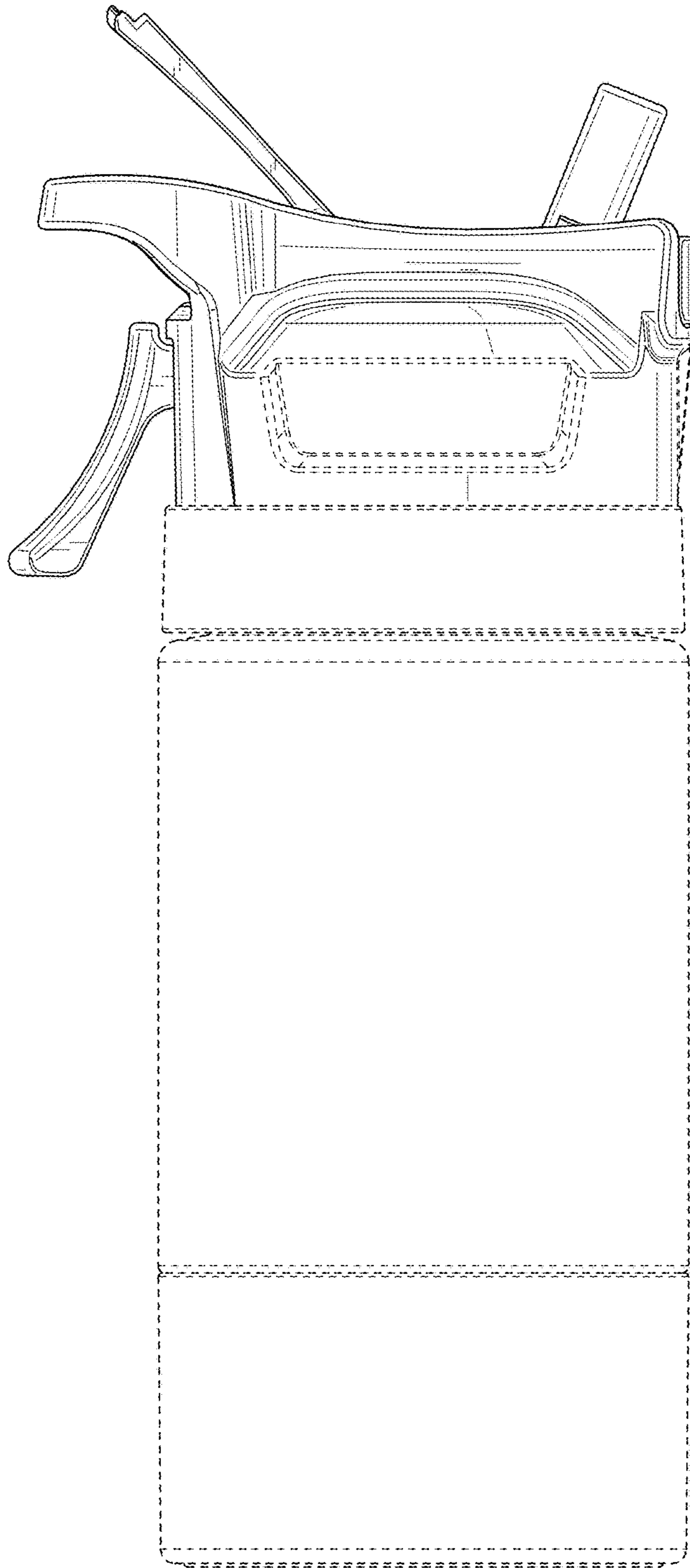


FIG. 7

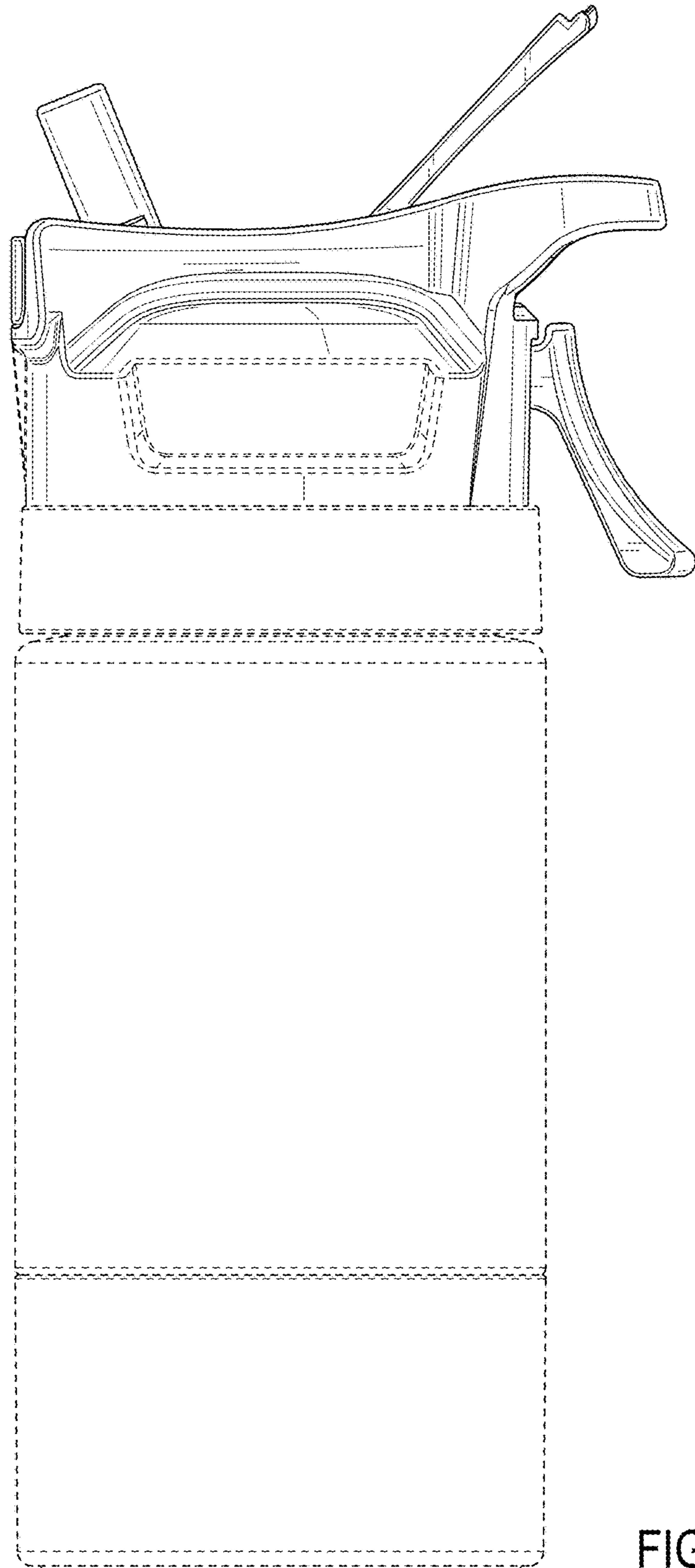


FIG. 8

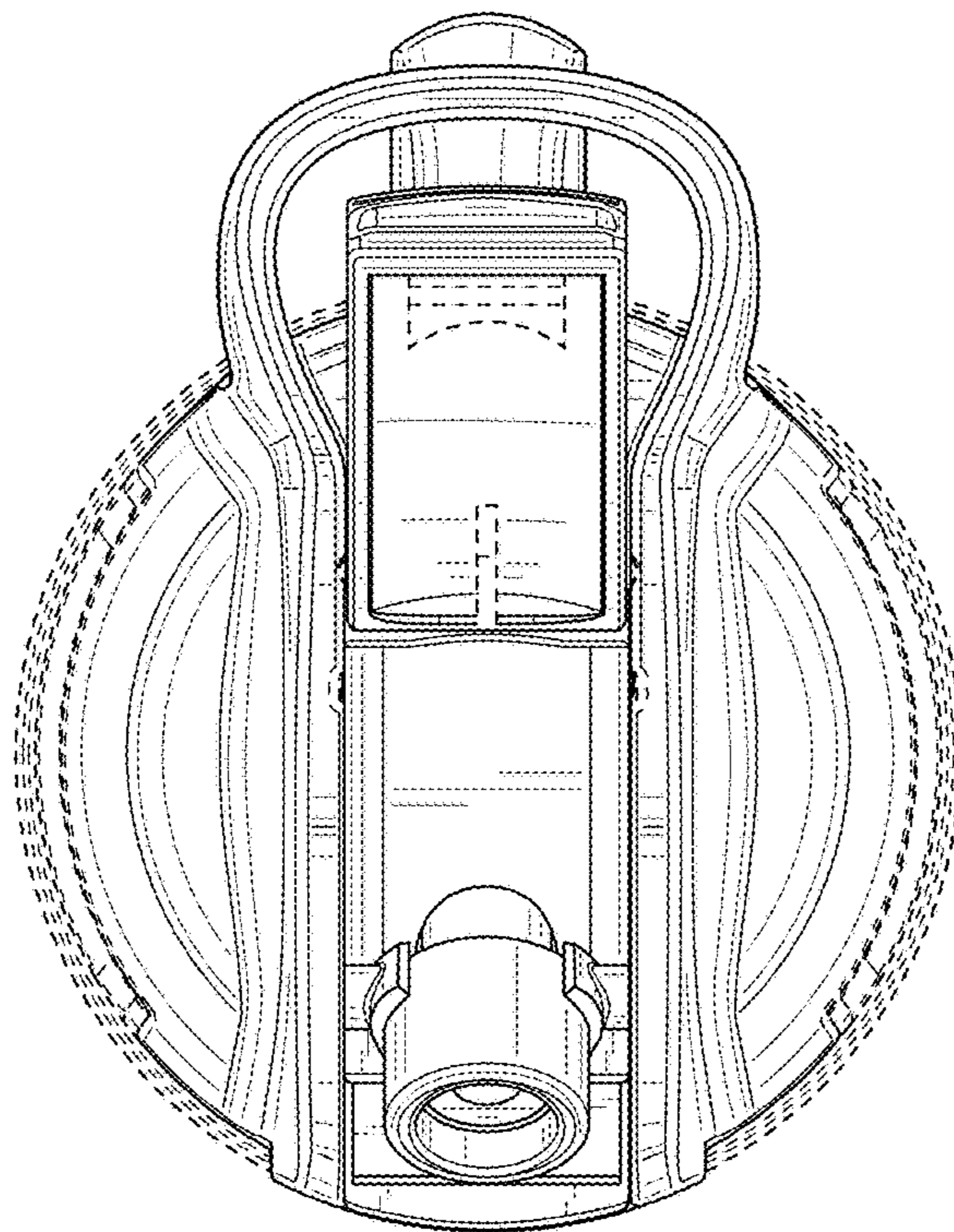


FIG. 9