



US00D857443S

(12) **United States Design Patent** (10) **Patent No.:** **US D857,443 S**
Hill (45) **Date of Patent:** **** Aug. 27, 2019**

(54) **BEVERAGE CONTAINER LID**

- (71) Applicant: **Pacific Market International, LLC**,
Seattle, WA (US)
- (72) Inventor: **Daniel Gordon Hill**, Seattle, WA (US)
- (73) Assignee: **Pacific Market International, LLC**,
Seattle, WA (US)
- (**) Term: **15 Years**

(21) Appl. No.: **29/577,480**

(22) Filed: **Sep. 13, 2016**

(51) **LOC (12) Cl.** **07-99**

(52) **U.S. Cl.**
USPC **D7/392.1; D9/447**

(58) **Field of Classification Search**
USPC D9/417, 434, 435, 443-450, 452, 453,
D9/455, 499, 682-685; D7/387, 392,
D7/392.1, 393, 396, 396.1, 396.2, 398,
D7/401.1, 507, 538; D3/202, 318;
D28/91.1; D23/213, 223, 225, 226
CPC .. A61J 1/00; A61J 1/1412; B65D 1/00; B65D
1/02; B65D 1/10; B65D 1/46; B65D
2585/56; B65D 2585/545; B65D 41/00;
B65D 41/38; B65D 41/56; B65D 41/62;
B65D 47/00; B65D 47/06; B65D 47/08;
B65D 2543/00046; B65D 2543/00092;
B65D 2543/00296; B65D 5/46; B65D
2251/00

See application file for complete search history.

(56) **References Cited**

U.S. PATENT DOCUMENTS

- D416,755 S * 11/1999 Trombly D7/391
- D421,719 S * 3/2000 Wells D9/438
- D485,759 S * 1/2004 Janky D7/392.1
- D486,734 S * 2/2004 Weber D7/392
- 6,752,287 B1 * 6/2004 Lin A47G 19/2272
220/254.9
- D525,826 S * 8/2006 Kugler D7/392.1
- D527,219 S * 8/2006 Trombly D7/392.1

(Continued)

OTHER PUBLICATIONS

“Yeti—Rambler™ 30 oz. Tumbler—Stainless Steel,” © 2016 Yeti ,
<<http://www.yeti.com/rambler-30>> [retrieved Sep. 19, 2016], 4
pages. Yeti product offered for sale as least as early as Mar. 17, 2016.

Primary Examiner — Michael A. Pratt
Assistant Examiner — Wendy L Arminio

(74) *Attorney, Agent, or Firm* — Davis Wright Tremaine
LLP; George C. Rondeau, Jr.

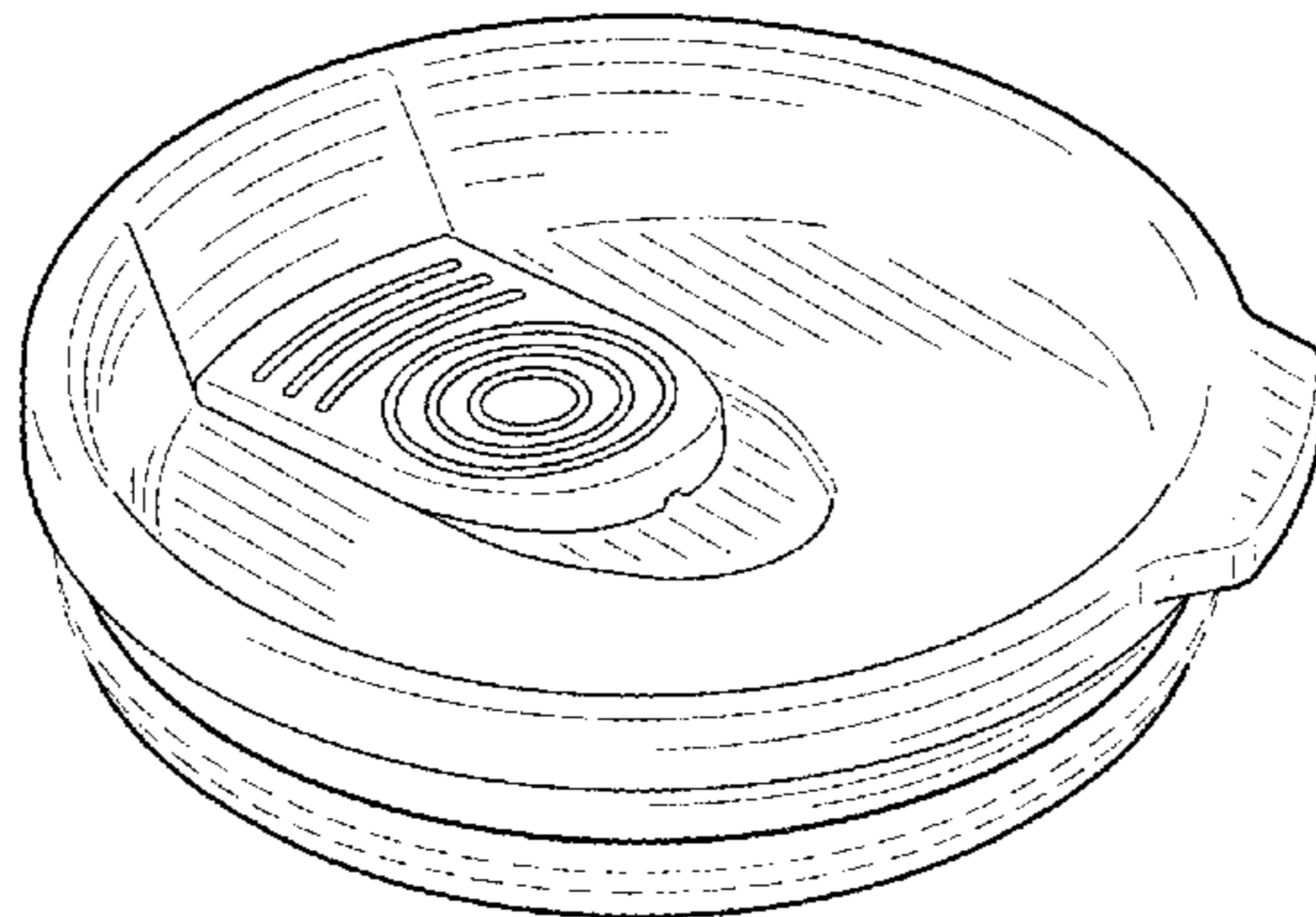
(57) **CLAIM**

The ornamental design for a beverage container lid, as
shown and described.

DESCRIPTION

FIG. 1 is a top perspective view of a beverage container lid
showing my new design;
FIG. 2 is a bottom perspective view thereof;
FIG. 3 is a front elevational view thereof;
FIG. 4 is a right side elevational view thereof;
FIG. 5 is a rear elevational view thereof;
FIG. 6 is a left side elevational view thereof;
FIG. 7 is a top plan view thereof;
FIG. 8 is a bottom plan view thereof;
FIG. 9 is a top perspective view of a second embodiment of
a beverage container lid showing my new design;
FIG. 10 is a bottom perspective view thereof;
FIG. 11 is a front elevational view thereof;
FIG. 12 is a right side elevational view thereof;
FIG. 13 is a rear elevational view thereof;
FIG. 14 is a left side elevational view thereof;
FIG. 15 is a top plan view thereof; and,
FIG. 16 is a bottom plan view thereof.
The broken lines depict portions of the beverage container
lid that form no part of the claimed design.

1 Claim, 8 Drawing Sheets



(56)

References Cited

U.S. PATENT DOCUMENTS

D529,379 S *	10/2006	Mengeu	D9/447	D751,341 S	3/2016	Seiders et al.	
D536,213 S *	2/2007	Schuler	D7/392.1	D756,705 S *	5/2016	Abrams D7/510
D583,191 S *	12/2008	Wong	D7/392.1	D758,792 S *	6/2016	Karussi D7/392.1
D584,106 S *	1/2009	Wong	D7/396.2	D761,619 S	7/2016	Seiders et al.	
D589,747 S *	4/2009	Wong	D7/396.1	D790,272 S *	6/2017	Han D7/396.2
D615,358 S *	5/2010	Wahl	D7/510	D796,256 S *	9/2017	Stover D7/396.2
D622,544 S *	8/2010	Gilbert	D7/510	D801,746 S *	11/2017	Thuma D7/392.1
D666,052 S *	8/2012	Trombly	D7/392.1	D802,362 S *	11/2017	Spivey D7/396.2
D673,807 S *	1/2013	Grider	D7/391	D803,619 S *	11/2017	Seiders D7/392.1
D698,201 S *	1/2014	Bradford	D7/510	D803,684 S *	11/2017	Seiders D9/449
8,640,904 B2 *	2/2014	Steininger	B65D 47/265 220/253	D804,905 S *	12/2017	Seiders D7/510
D732,337 S *	6/2015	Coon	D7/392.1	D808,722 S *	1/2018	Hill D7/510
D733,499 S *	7/2015	Perman	D7/536	D815,893 S *	4/2018	Seiders D7/396.2
D734,092 S *	7/2015	Kristinik	D7/392.1	D822,428 S *	7/2018	Thuma D7/392.1
D742,173 S *	11/2015	Perman	D7/507	D824,212 S *	7/2018	Seiders D7/396.2
D751,338 S	3/2016	Seiders et al.			D825,992 S *	8/2018	Sadhwani D7/510
D751,339 S	3/2016	Seiders et al.			2007/0272693 A1 *	11/2007	Richards B65D 17/502 220/359.2
D751,340 S	3/2016	Seiders et al.			2015/0266611 A1 *	9/2015	Dow B65D 43/162 220/269
					2017/0121074 A1 *	5/2017	Seiders A47G 19/2272

* cited by examiner

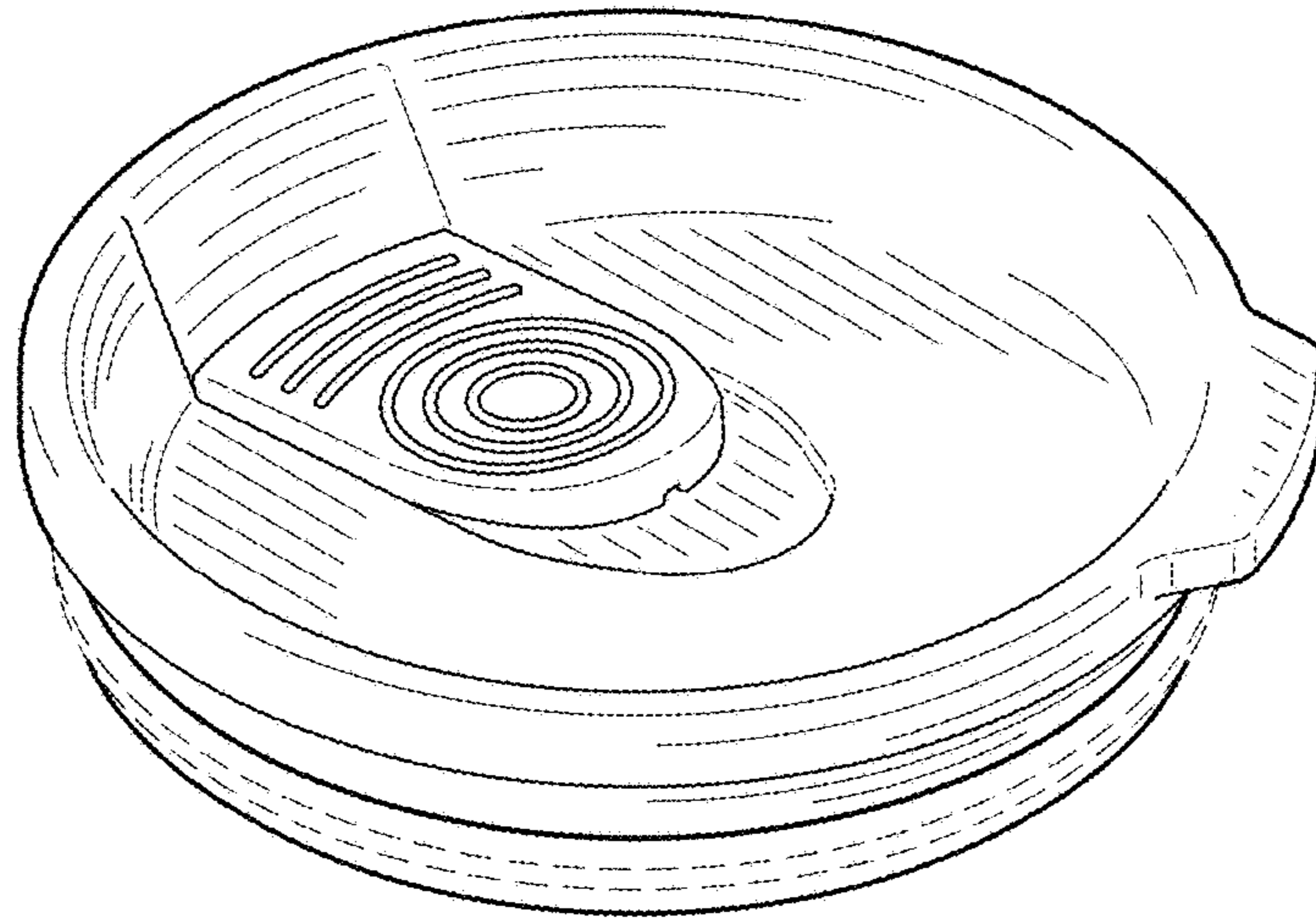


FIG. 1

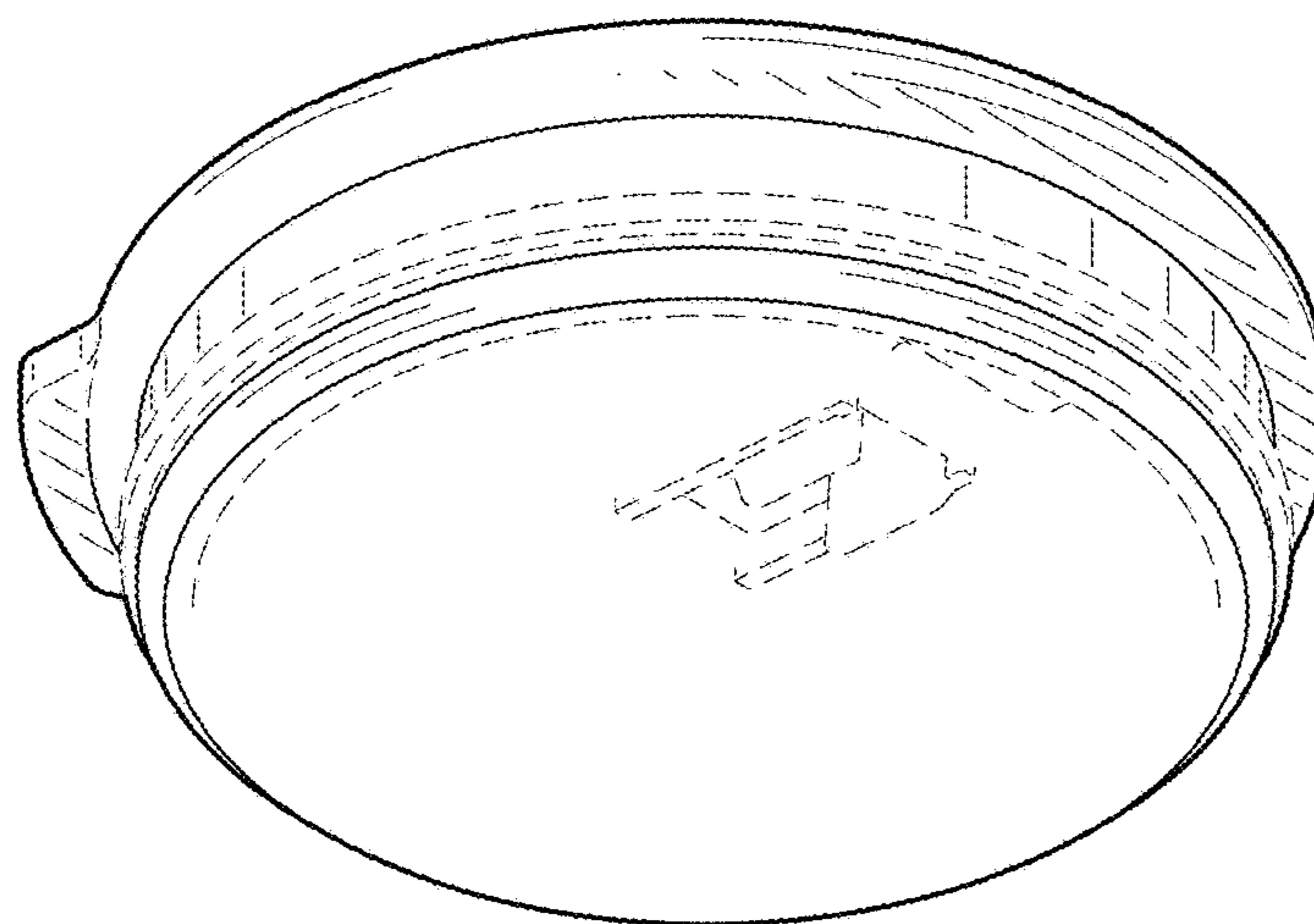


FIG. 2

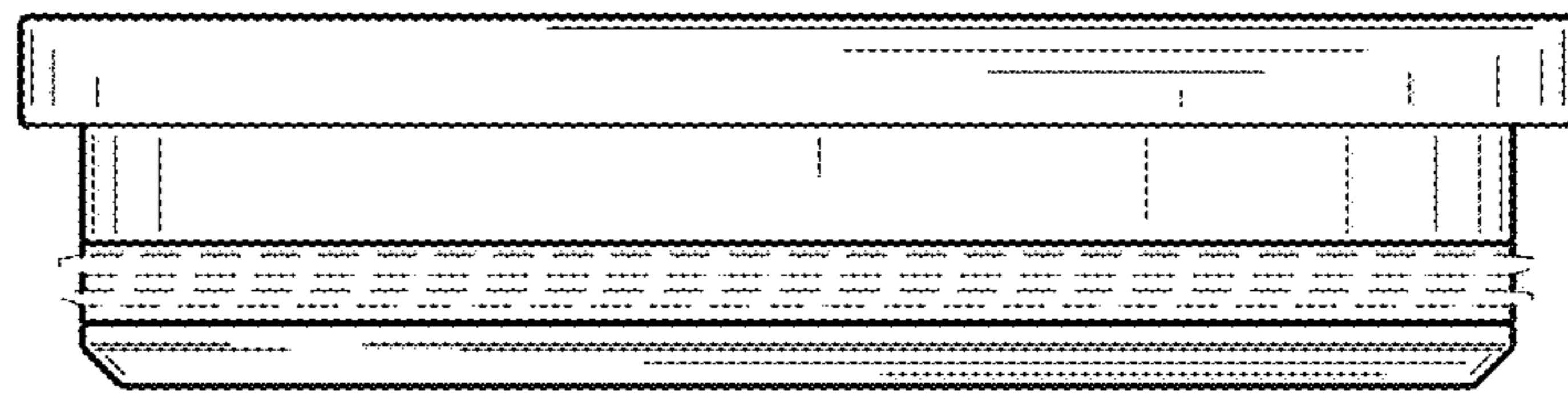


FIG. 3

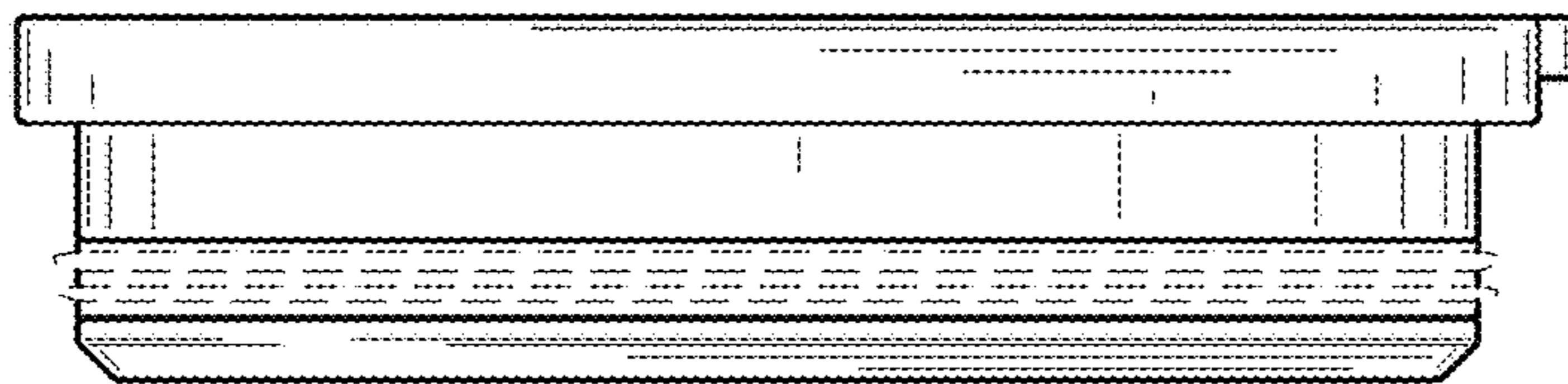


FIG. 4

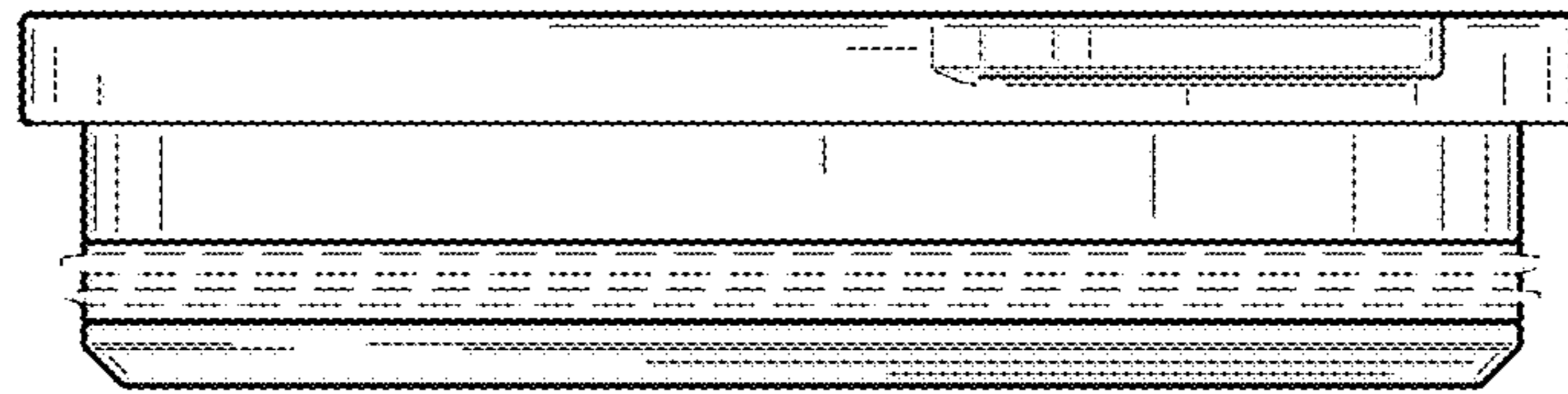


FIG. 5

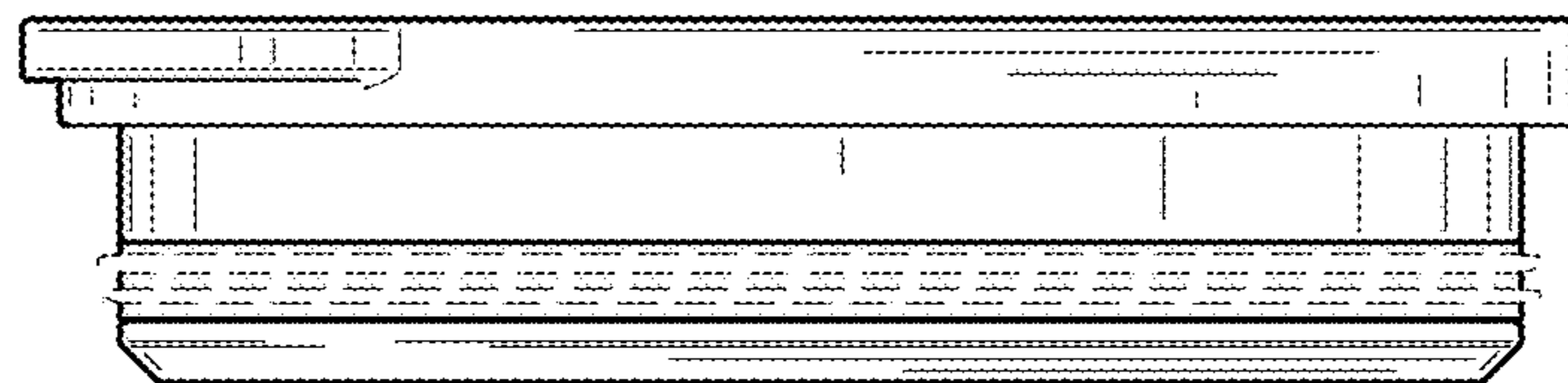


FIG. 6

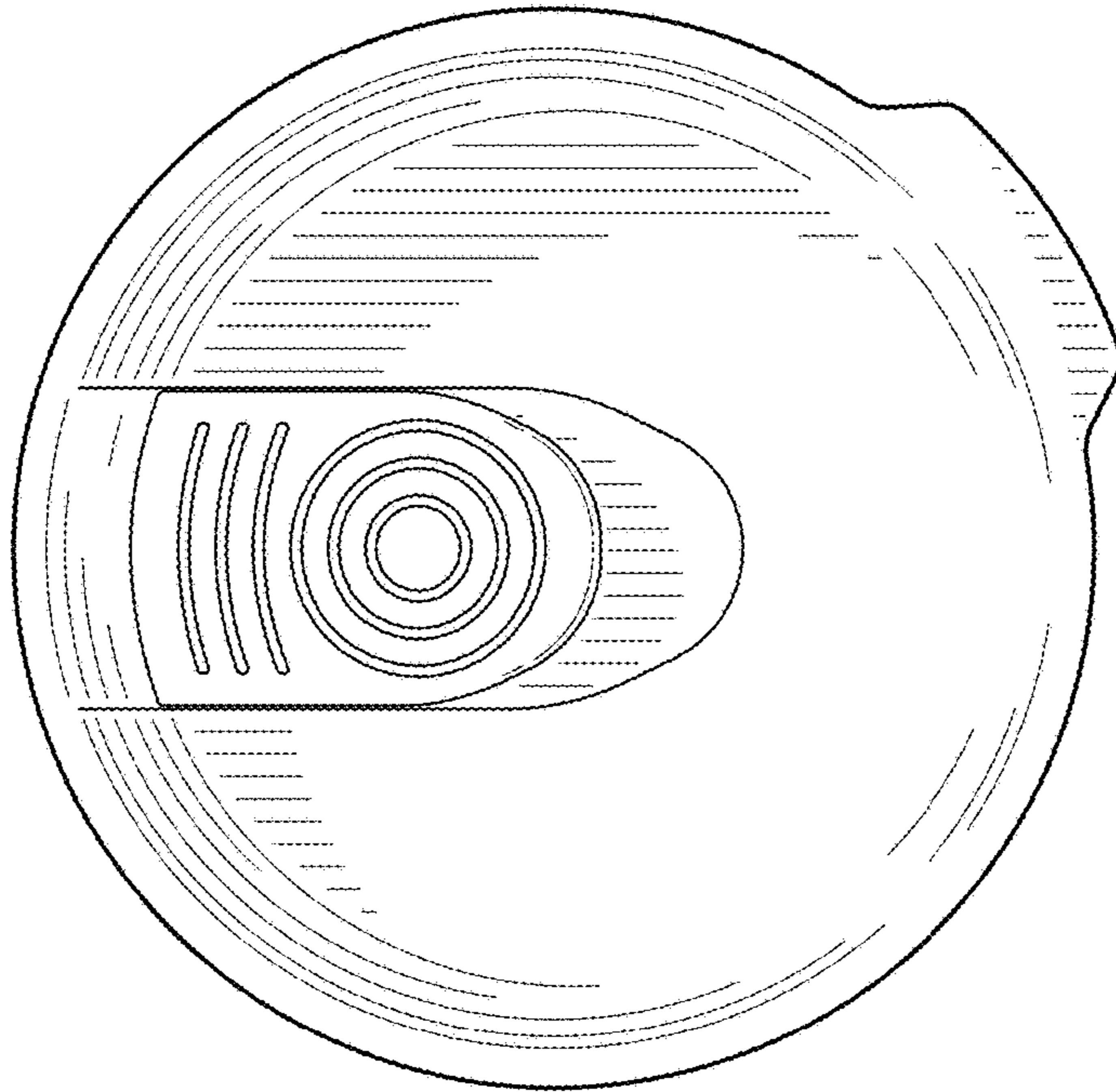


FIG. 7

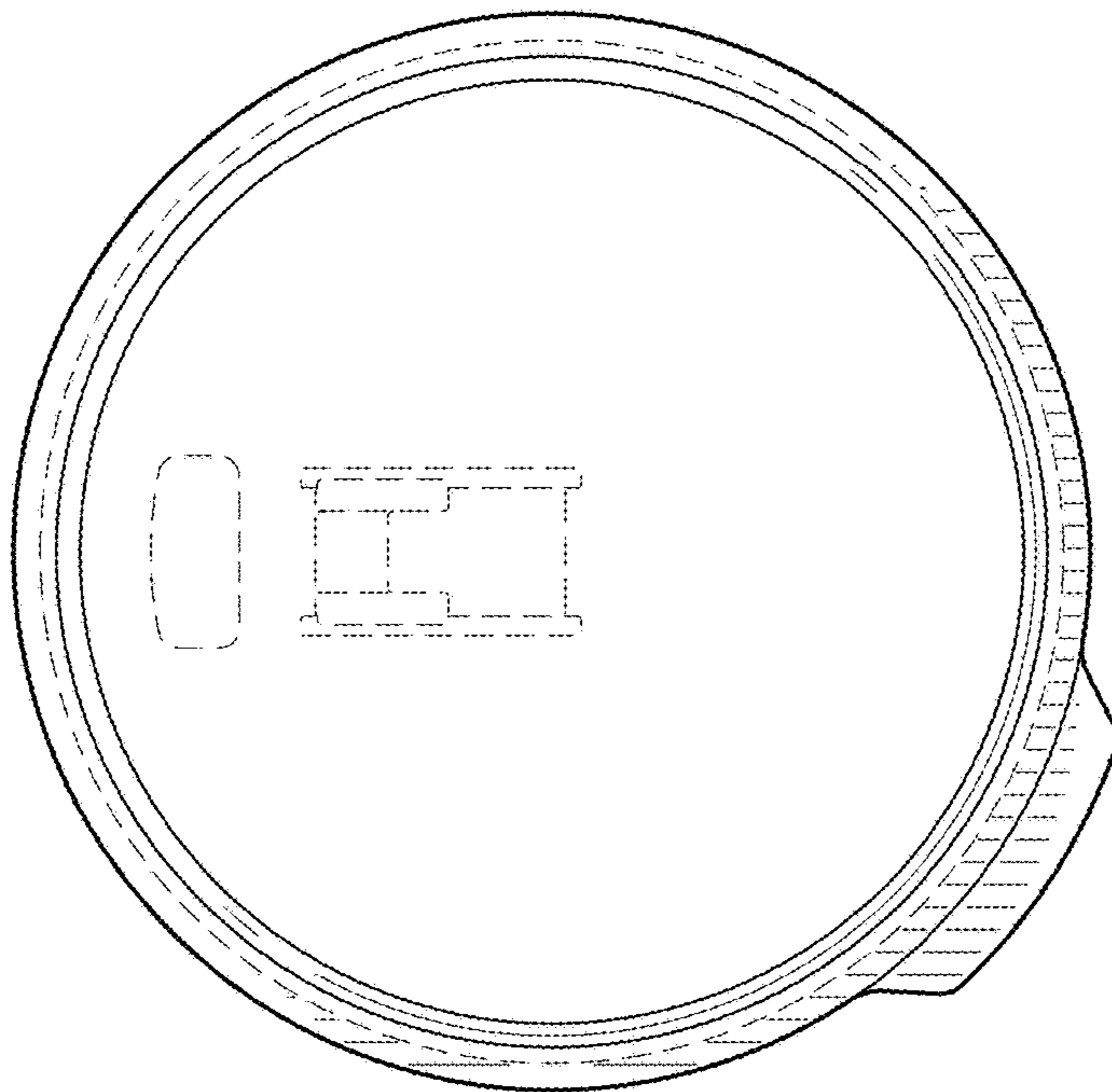


FIG. 8

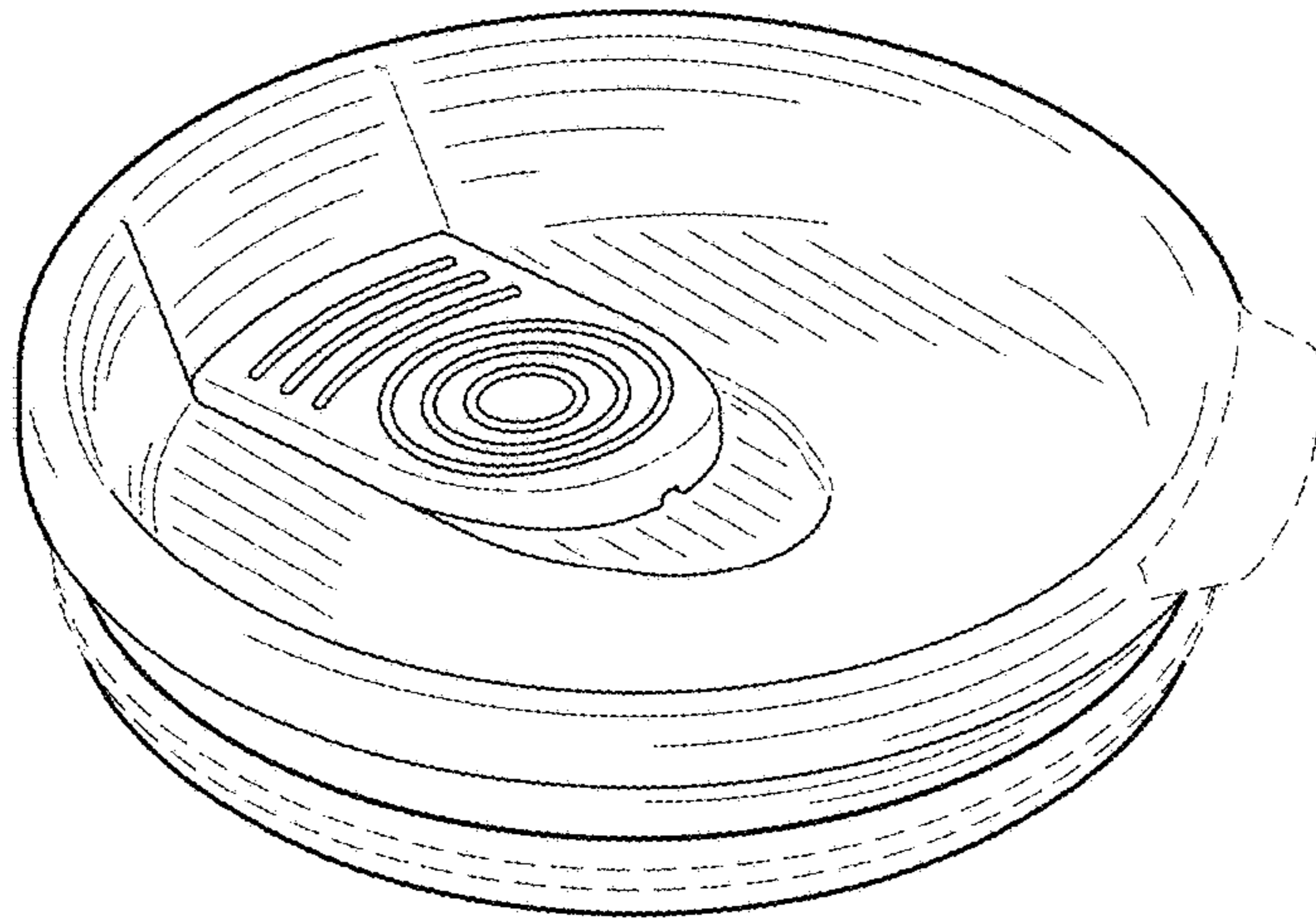


FIG. 9

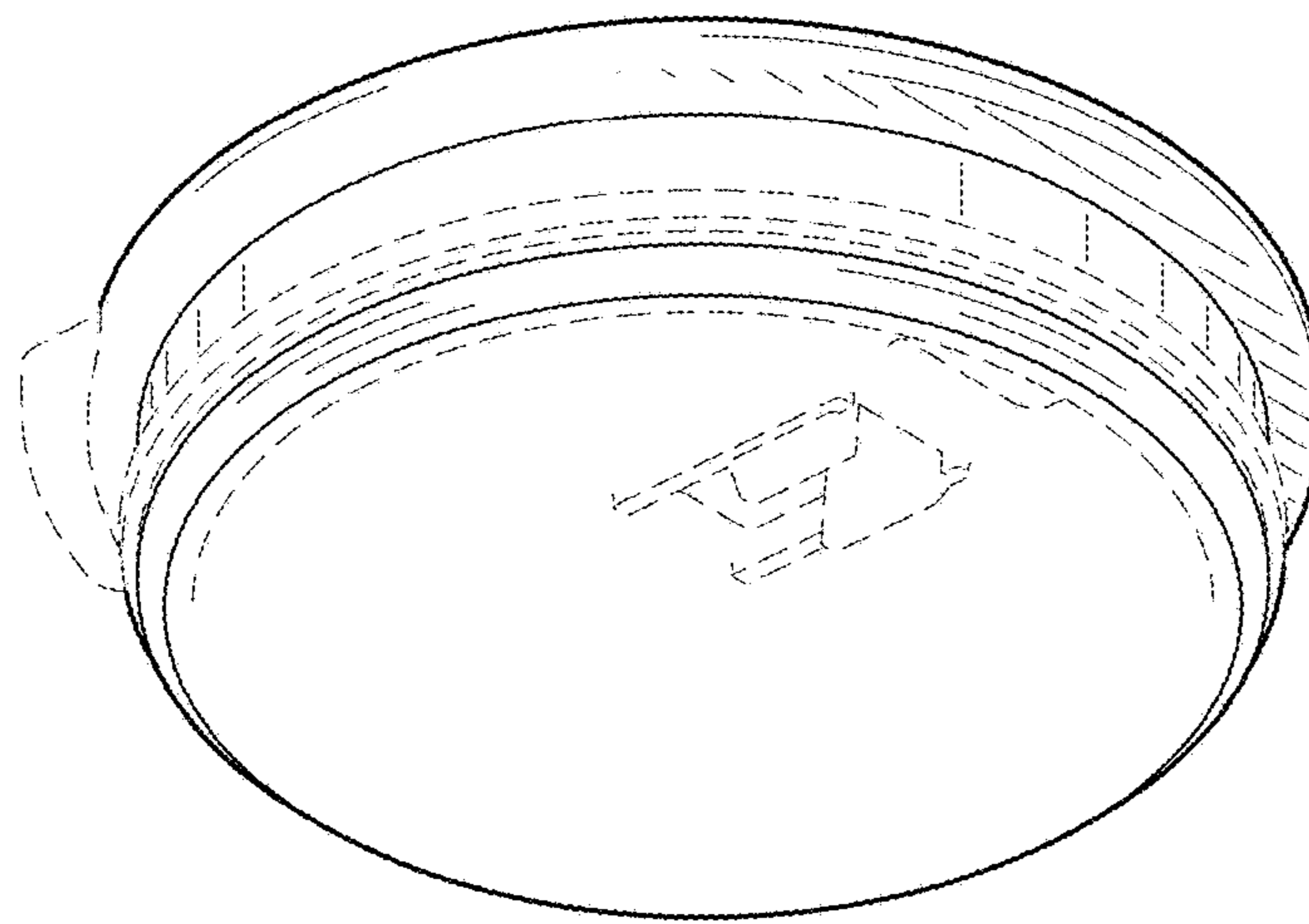


FIG. 10

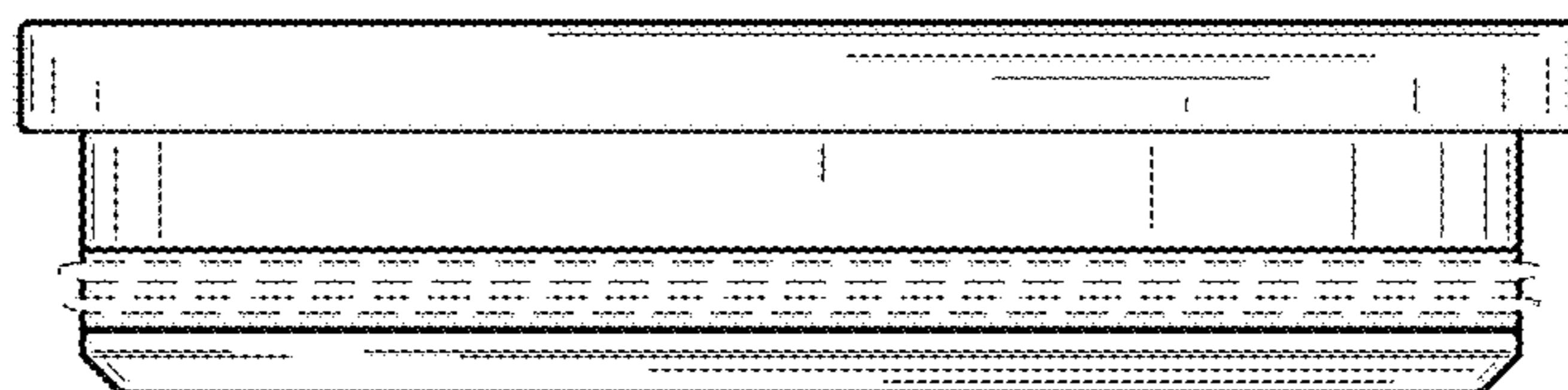


FIG. 11

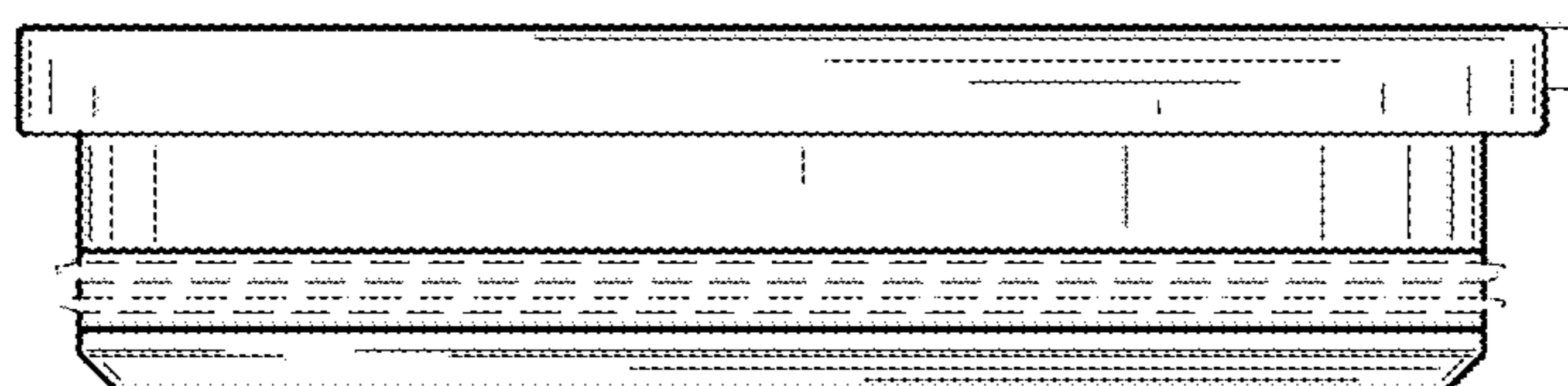


FIG. 12

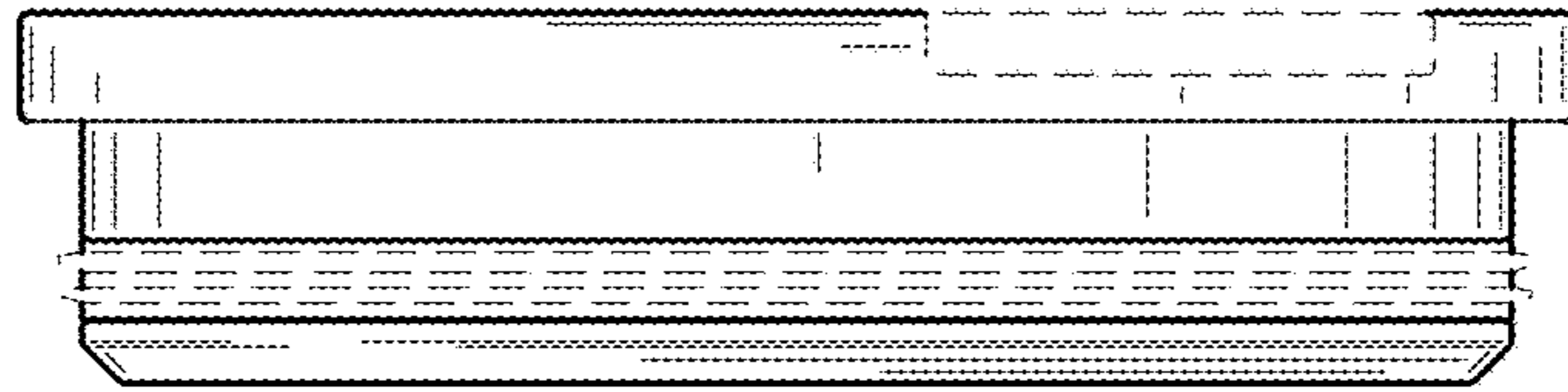


FIG. 13

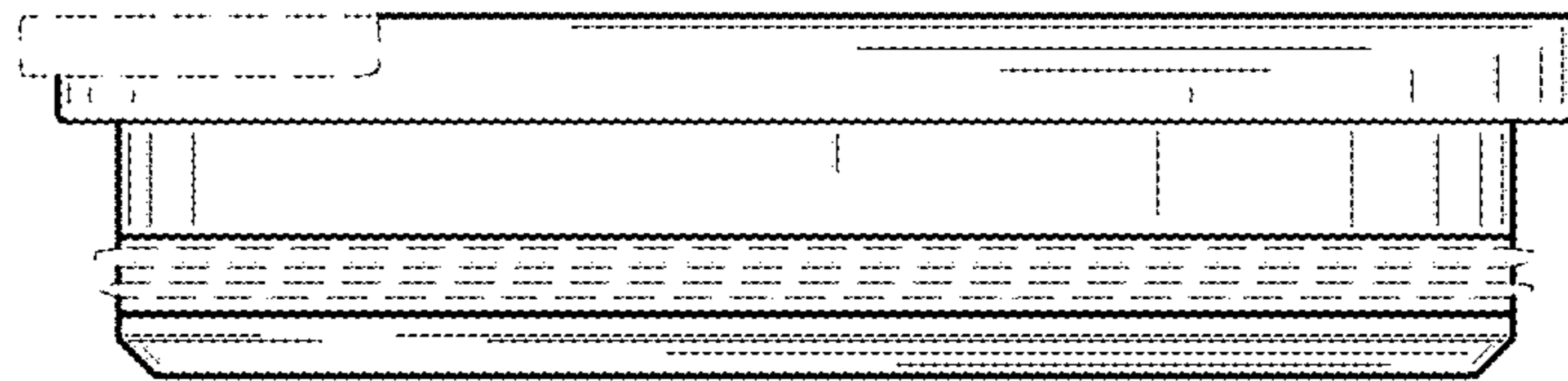


FIG. 14

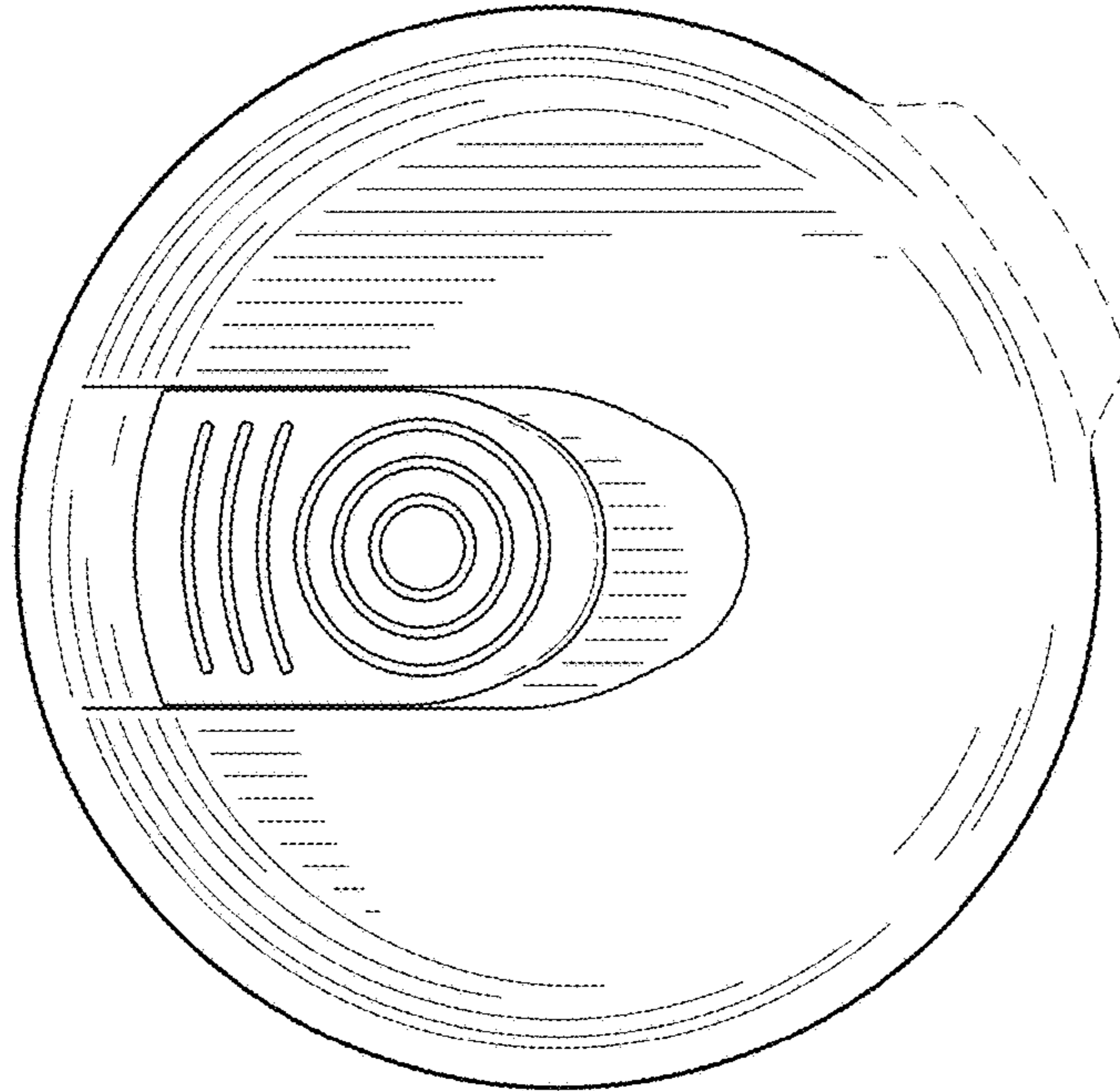


FIG. 15

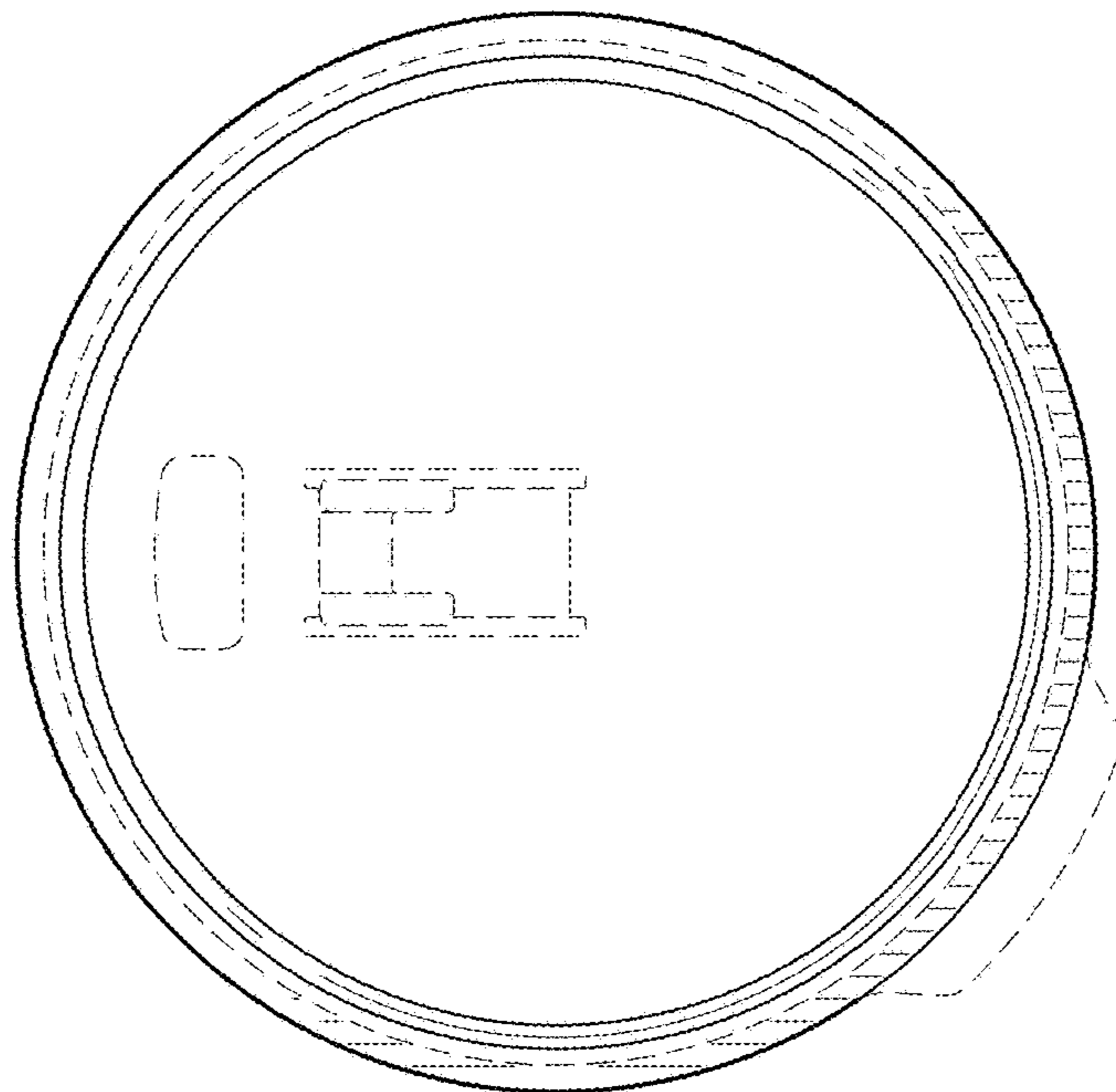


FIG. 16