



US00D857440S

(12) **United States Design Patent** (10) **Patent No.:** **US D857,440 S**
DeMars et al. (45) **Date of Patent:** **** Aug. 27, 2019**

- (54) **BARBEQUE GRILL** 3,276,440 A 10/1966 Farhad
- (71) Applicants: **Robert DeMars**, San Clemente, CA D219,693 S * 1/1971 Hahn D7/337
(US); **Alan Crawford**, Burbank, CA 5,865,099 A 2/1999 Waugh
(US); **Takuya Idehara**, South 5,906,193 A 5/1999 Leach et al.
Pasadena, CA (US); **Jim Keen**, D420,243 S 2/2000 Samaras
Thousand Oaks, CA (US); **Spencer** D463,196 S 9/2002 Hsu
Mackay, Agoura Hills, CA (US) D463,949 S 10/2002 Pai
D615,807 S 5/2010 Creel
D668,096 S 10/2012 Simms
D684,416 S 6/2013 Keiser
D714,090 S 9/2014 Harper
- (72) Inventors: **Robert DeMars**, San Clemente, CA D747,620 S * 1/2016 Chung D7/332
(US); **Alan Crawford**, Burbank, CA D747,909 S * 1/2016 Simms, II D7/332
(US); **Takuya Idehara**, South 9,237,828 B2 1/2016 Walters et al.
Pasadena, CA (US); **Jim Keen**, 9,380,910 B1 7/2016 Noel
Thousand Oaks, CA (US); **Spencer** D792,733 S * 7/2017 Benson D7/334
Mackay, Agoura Hills, CA (US) D822,423 S * 7/2018 Demars D7/334
- (**) Term: **15 Years** 2006/0054158 A1 3/2006 Nash
2009/0308373 A1 12/2009 Scott et al.
2010/0258105 A1 10/2010 Simms
2010/0258106 A1 10/2010 Simms
2011/0283000 A1 11/2011 Walters et al.
- (21) Appl. No.: **29/655,653**
- (22) Filed: **Jul. 5, 2018**

Related U.S. Application Data

- (62) Division of application No. 29/589,605, filed on Jan. 3, 2017, now Pat. No. Des. 822,423.
- (51) **LOC (12) Cl.** **07-02**
- (52) **U.S. Cl.**
USPC **D7/334**
- (58) **Field of Classification Search**
USPC D7/332-337, 402, 405, 406; 126/9 R,
126/9 A, 9 B
CPC A47J 37/07-37/0781; A23B 4/052; A23B
4/044; A23B 4/0523; A23B 4/056
See application file for complete search history.

References Cited

U.S. PATENT DOCUMENTS

- D201,416 S 6/1965 Sazegar
- D201,937 S 8/1965 Johnson

Primary Examiner — Brett Miller
(74) *Attorney, Agent, or Firm* — Cislo & Thomas, LLP

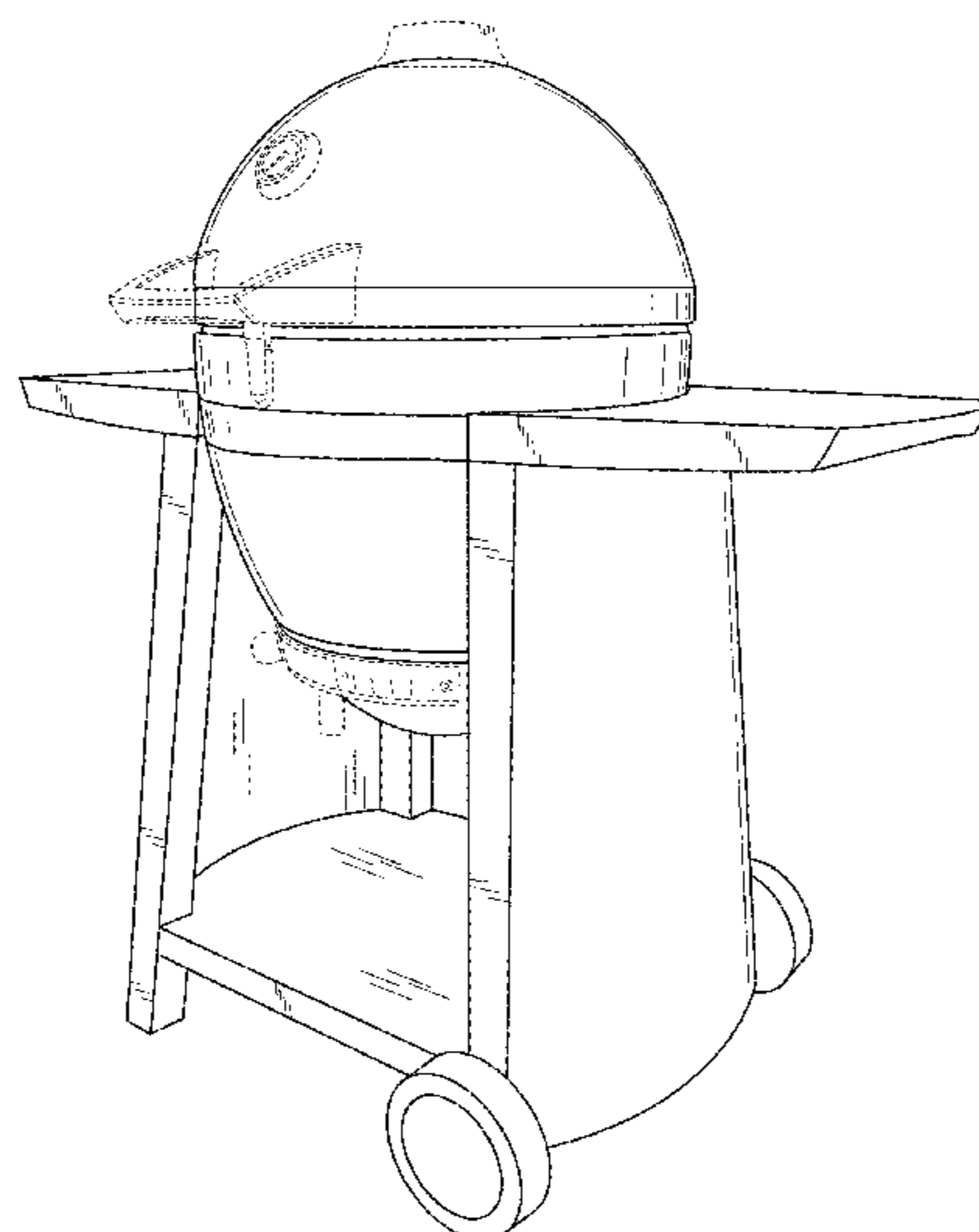
(57) **CLAIM**

The ornamental design for a barbeque grill, as shown and described.

DESCRIPTION

FIG. 1 is a front perspective view of the barbeque grill showing our new design;
FIG. 2 is rear perspective view thereof;
FIG. 3 is a front elevation view thereof;
FIG. 4 is a rear elevation view thereof;
FIG. 5 is a right side elevation view thereof;
FIG. 6 is a left side elevation view thereof; and,
FIG. 7 is a top plan view thereof.
The broken lines are for environmental purposes only and form no part of the claimed design.

1 Claim, 7 Drawing Sheets



(56)

References Cited

U.S. PATENT DOCUMENTS

2015/0305560 A1* 10/2015 Hamlin A47J 37/0713
126/25 R
2016/0029840 A1 2/2016 Walters et al.
2016/0174767 A1* 6/2016 Schlosser A47J 37/0704
126/25 R
2016/0220066 A1 8/2016 Roberts
2017/0164784 A1* 6/2017 Rummel A47J 37/0718
2017/0367534 A1* 12/2017 Bogazzi A47J 37/0786

* cited by examiner

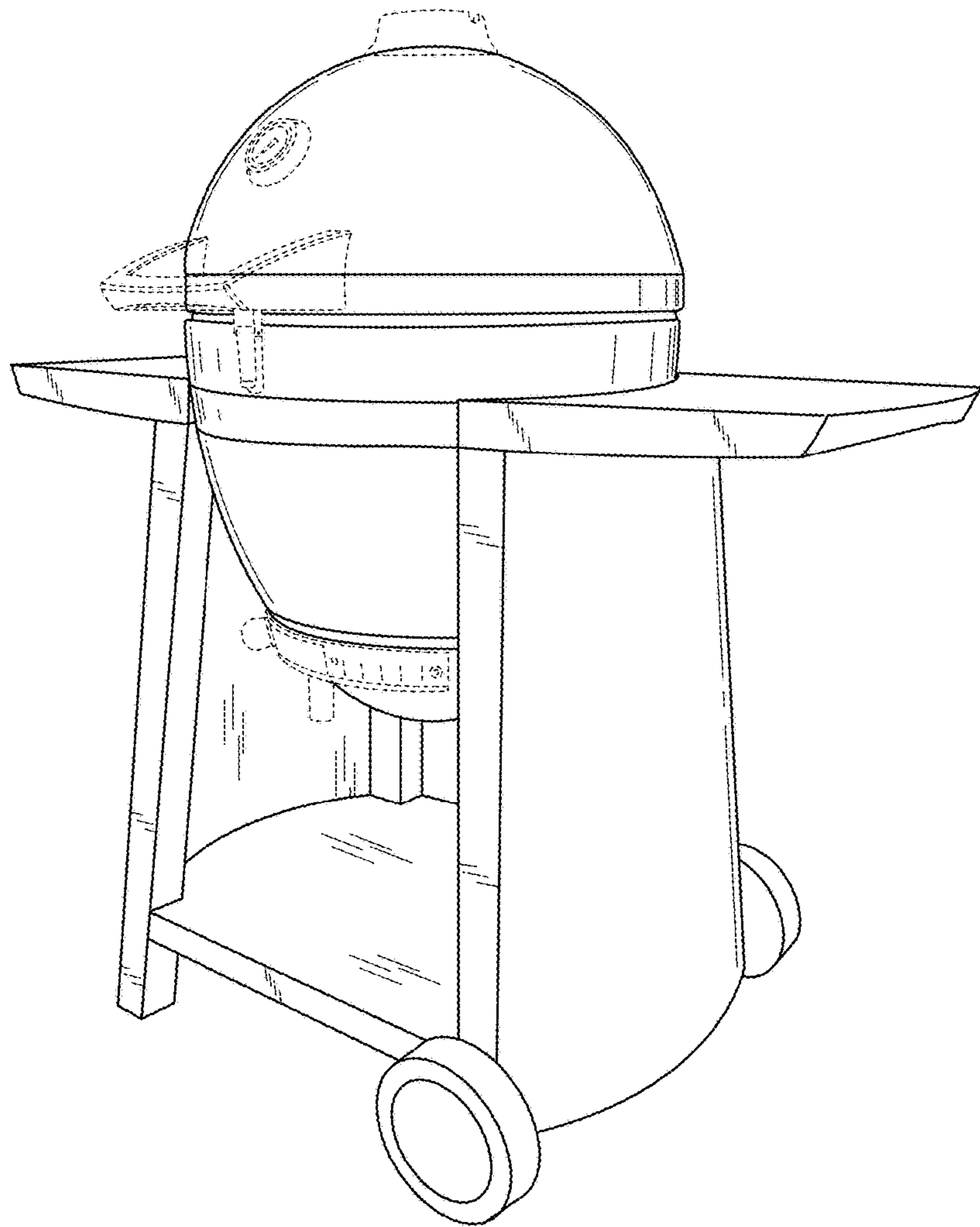


Fig. 1

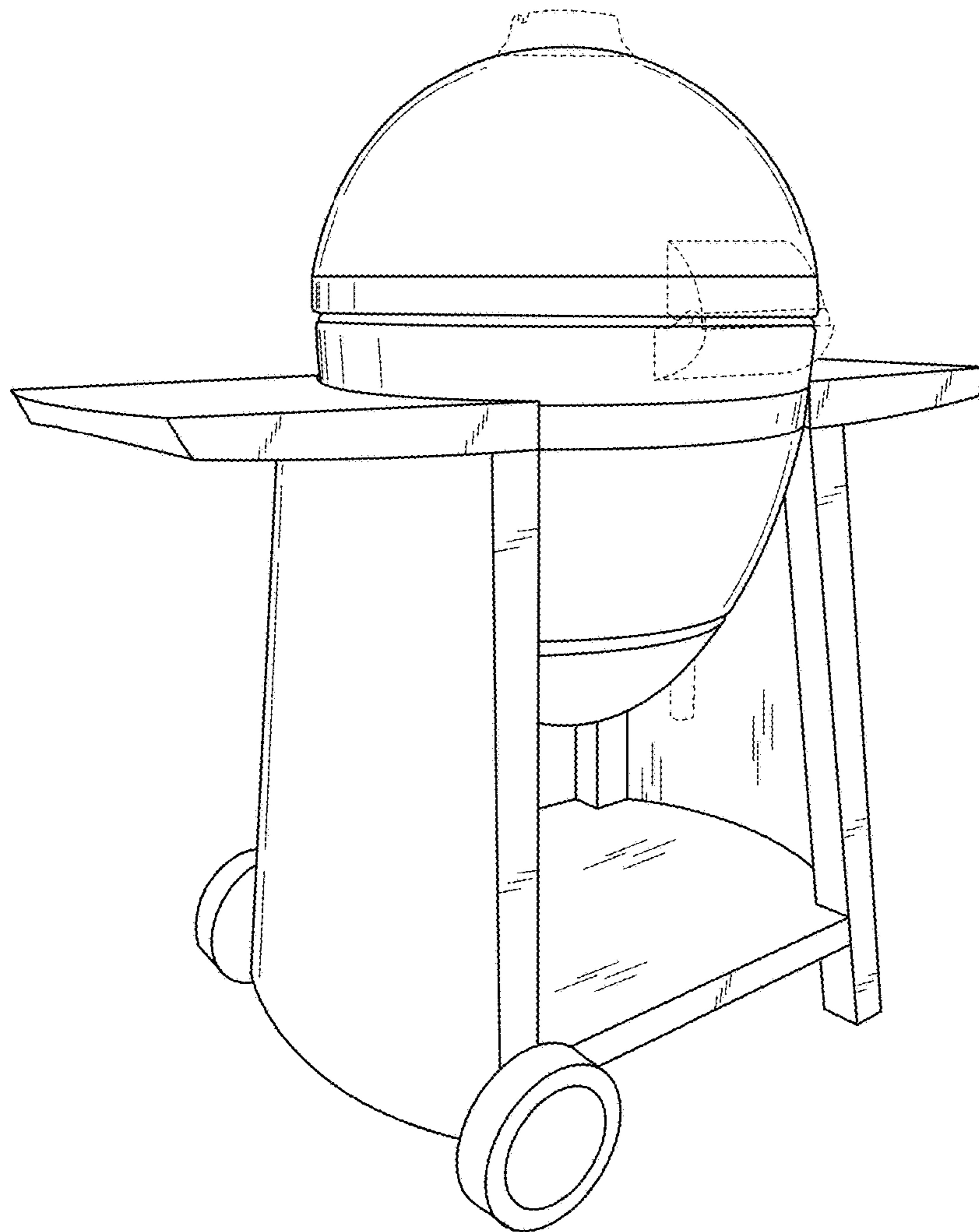


Fig. 2

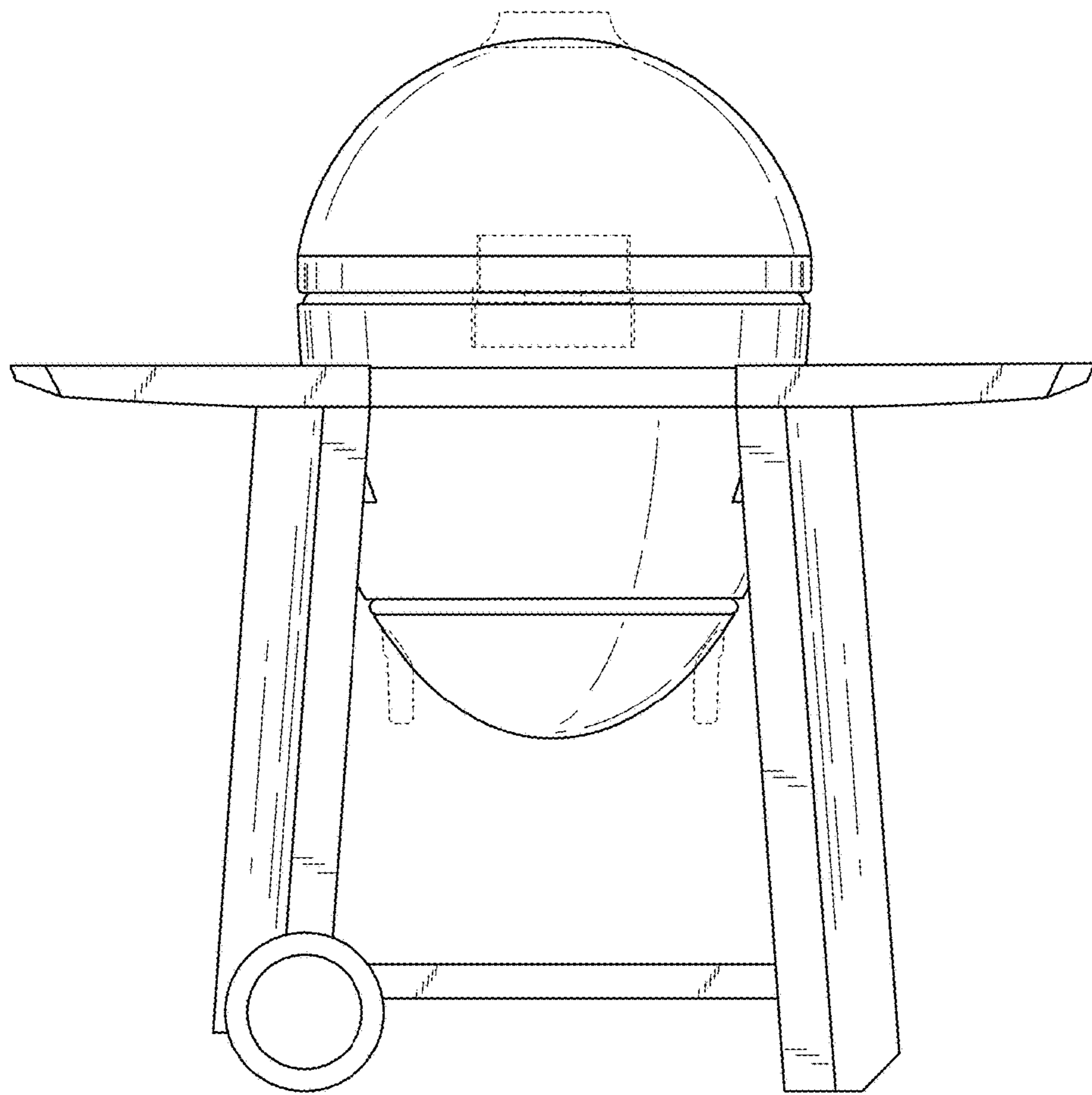


Fig. 3

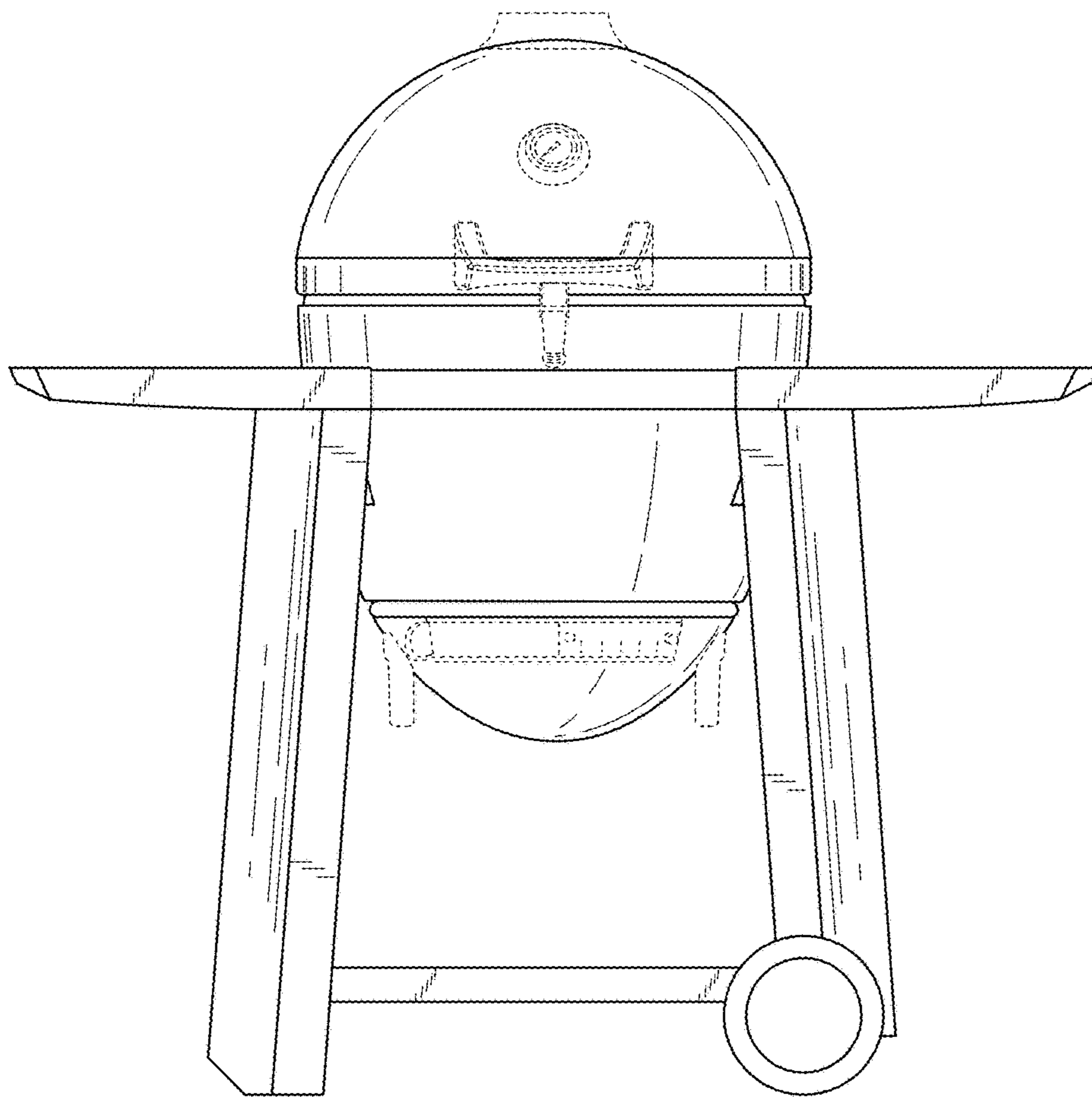


Fig. 4

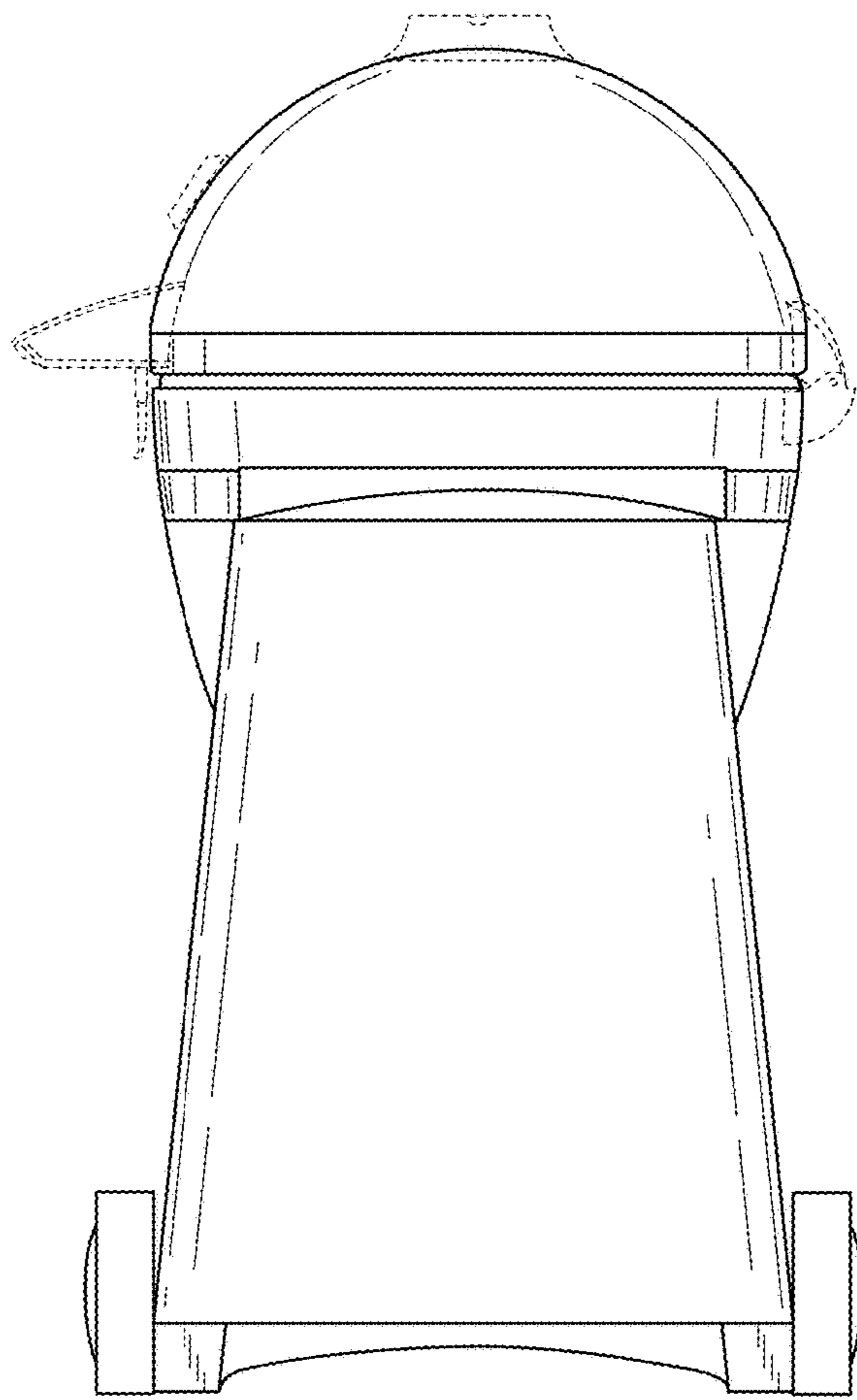


Fig. 5

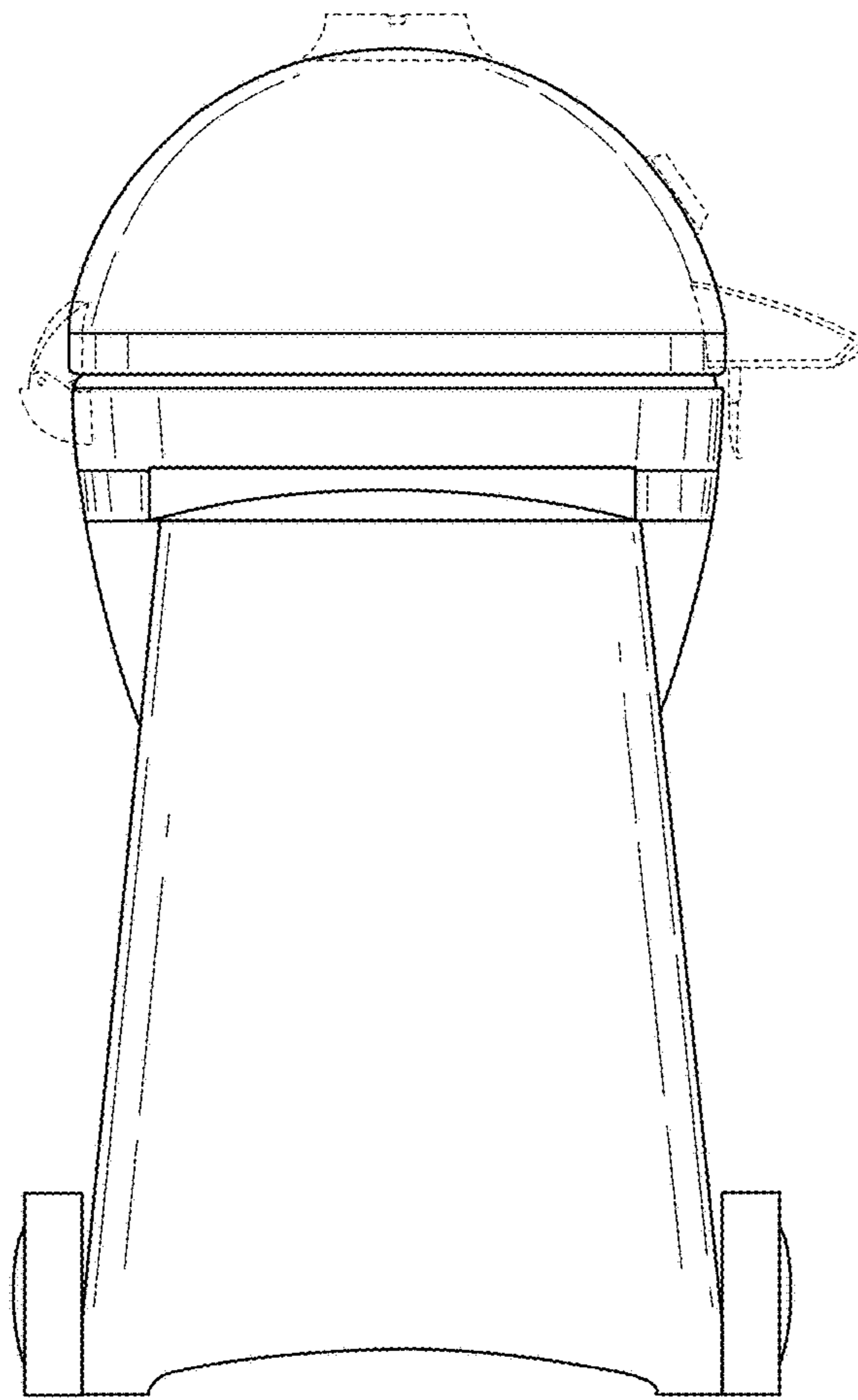


Fig. 6

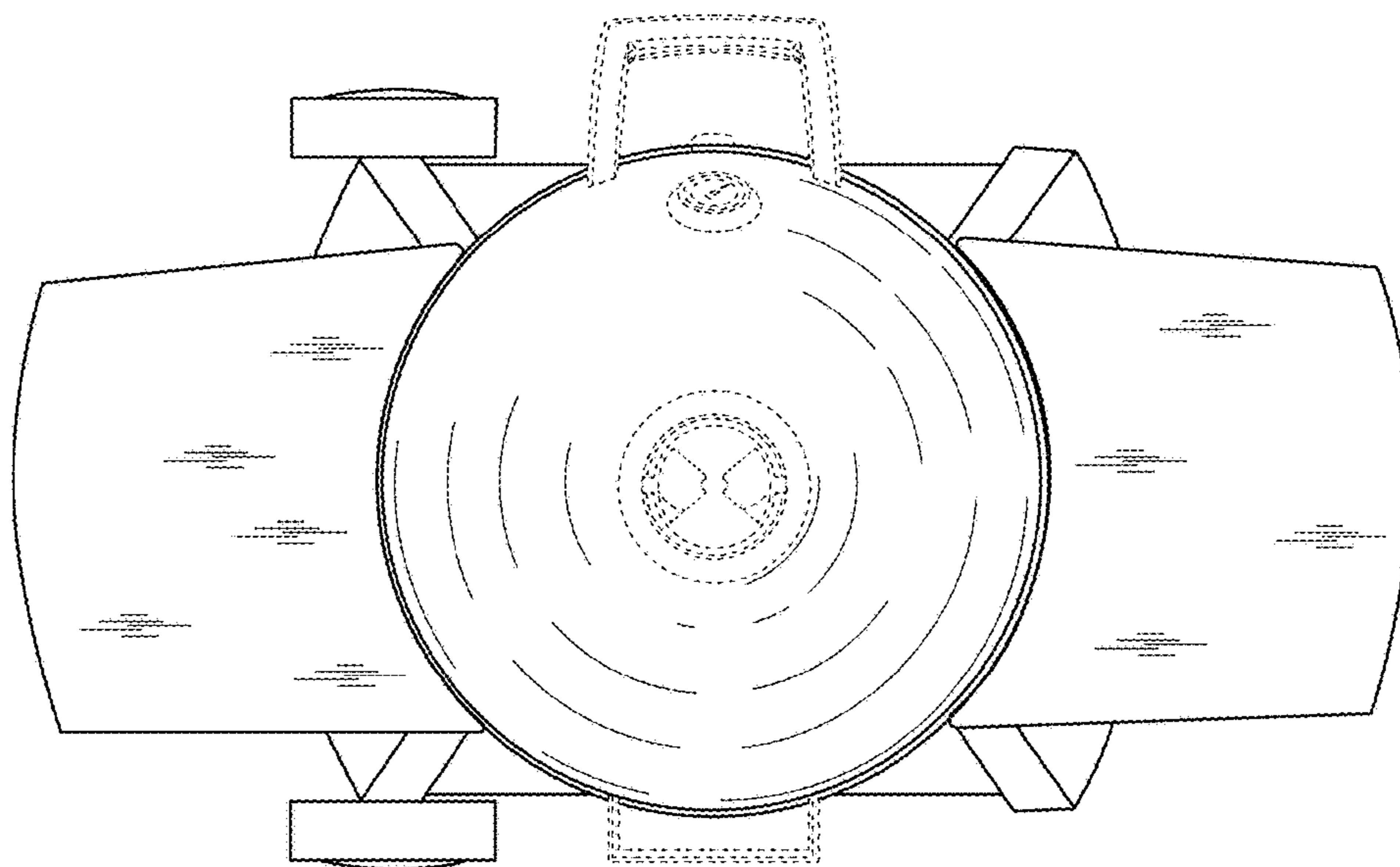


Fig. 7