



US00D857437S

(12) **United States Design Patent** (10) **Patent No.:** **US D857,437 S**
Kinoshita et al. (45) **Date of Patent:** **** Aug. 27, 2019**

(54) **CHAIR**
(71) Applicant: **Kokuyo Co., Ltd.**, Osaka (JP)
(72) Inventors: **Yojiro Kinoshita**, Osaka (JP); **Kazuo Oku**, Osaka (JP); **Takayoshi Kanou**, Osaka (JP); **Kenta Asano**, Osaka (JP); **Hideshi Hamaguchi**, Portland, OR (US); **Ippei Iwahara**, Portland, OR (US)

D584,908 S * 1/2009 Diffrient D6/716.5
D665,590 S * 8/2012 Wagner D6/366
D698,192 S * 1/2014 Giugiaro D6/366
D708,886 S * 7/2014 Braca D6/716.5
D710,640 S * 8/2014 Usumoto D6/366
D826,614 S * 8/2018 Chu D6/716.4

FOREIGN PATENT DOCUMENTS

JP 2018057640 A * 4/2018
JP 2018099338 A * 6/2018

* cited by examiner

Primary Examiner — Kevin K Rudzinski

Assistant Examiner — Paul D Bohannon

(74) *Attorney, Agent, or Firm* — The Webb Law Firm

(73) Assignee: **Kokuyo Co., Ltd.**, Osaka (JP)

(**) Term: **15 Years**

(21) Appl. No.: **29/623,746**

(22) Filed: **Oct. 26, 2017**

(30) **Foreign Application Priority Data**

Jun. 15, 2017 (JP) 2017-012887

(51) **LOC (12) Cl.** **06-06**

(52) **U.S. Cl.**
USPC **D6/716.4**

(58) **Field of Classification Search**
USPC D6/364, 379, 380, 708.16, 708.17,
D6/708.18, 708.23, 708.24, 709.18, 716,
D6/716.1, 716.2, 716.3, 716.4, 716.5,
D6/716.6, 716.7
CPC .. A47C 7/029; A47C 7/36; A47C 7/40; A47C
7/46; A47C 7/185; A47C 7/425; A47C
7/462

See application file for complete search history.

(56) **References Cited**

U.S. PATENT DOCUMENTS

D251,168 S * 2/1979 Perkey D6/601
D534,748 S * 1/2007 Chu D6/366

(57) **CLAIM**

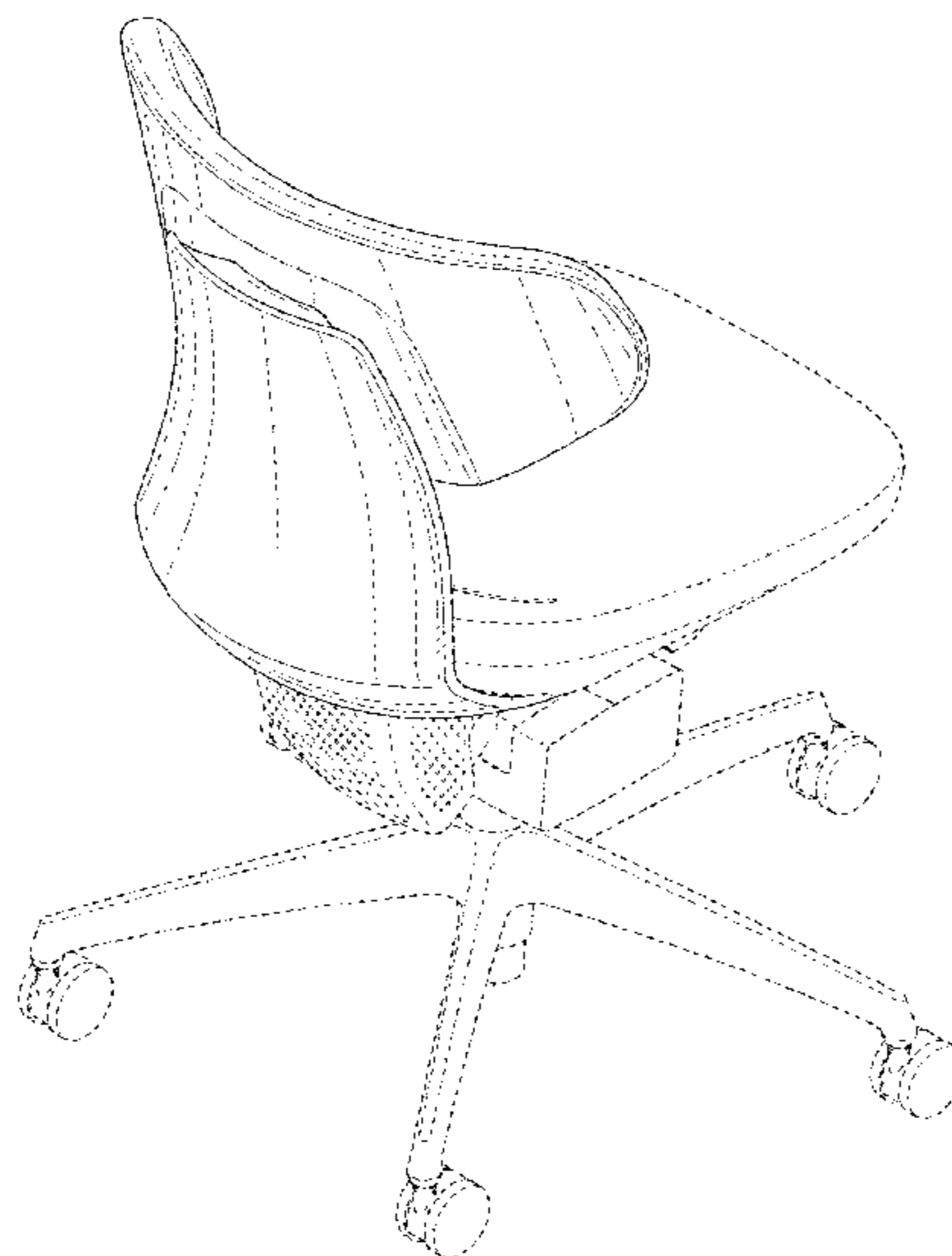
The ornamental design for a chair, as shown and described.

DESCRIPTION

FIG. 1 is an upper perspective view of a chair, showing our new design;
FIG. 2 is a front elevation view thereof;
FIG. 3 is a rear elevation view thereof;
FIG. 4 is a top view thereof;
FIG. 5 is a bottom view thereof;
FIG. 6 is a right side elevation view thereof;
FIG. 7 is a left side elevation view thereof; and,
FIG. 8 is an enlarged end view thereof taken along lines 8-8 shown in FIG. 2.

The portions of the chair shown in broken lines form no part of the claimed design.

1 Claim, 8 Drawing Sheets



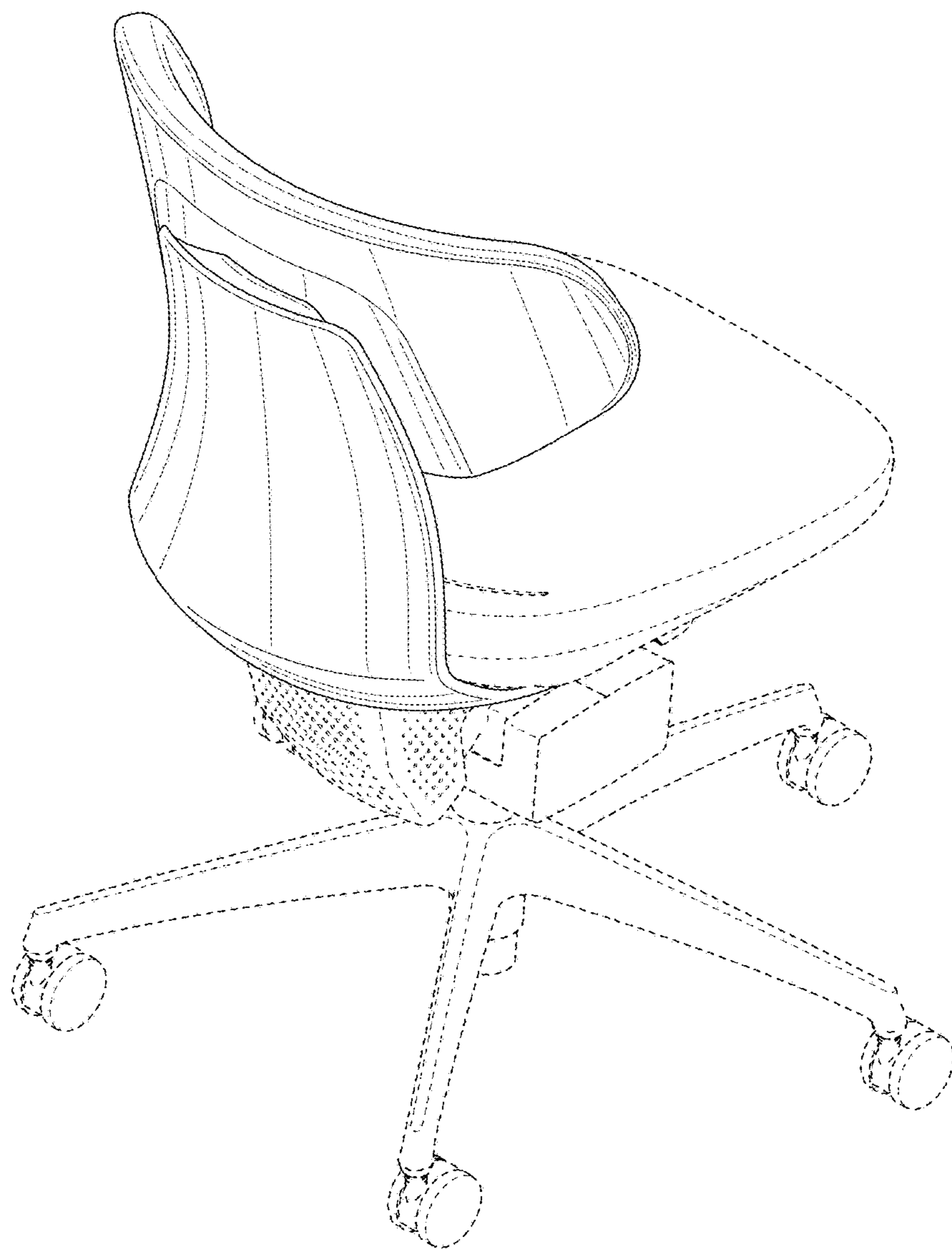


FIG. 1

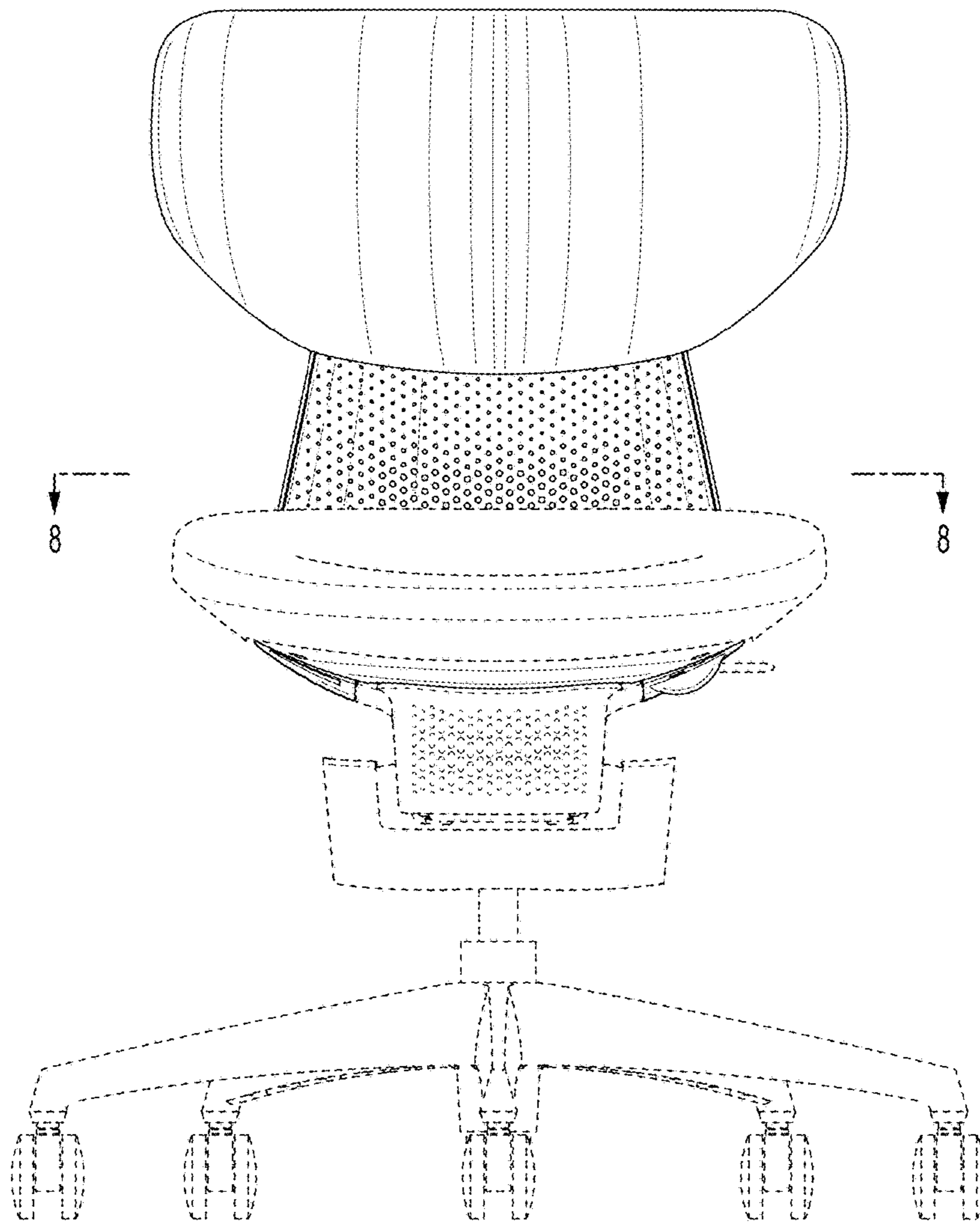


FIG. 2

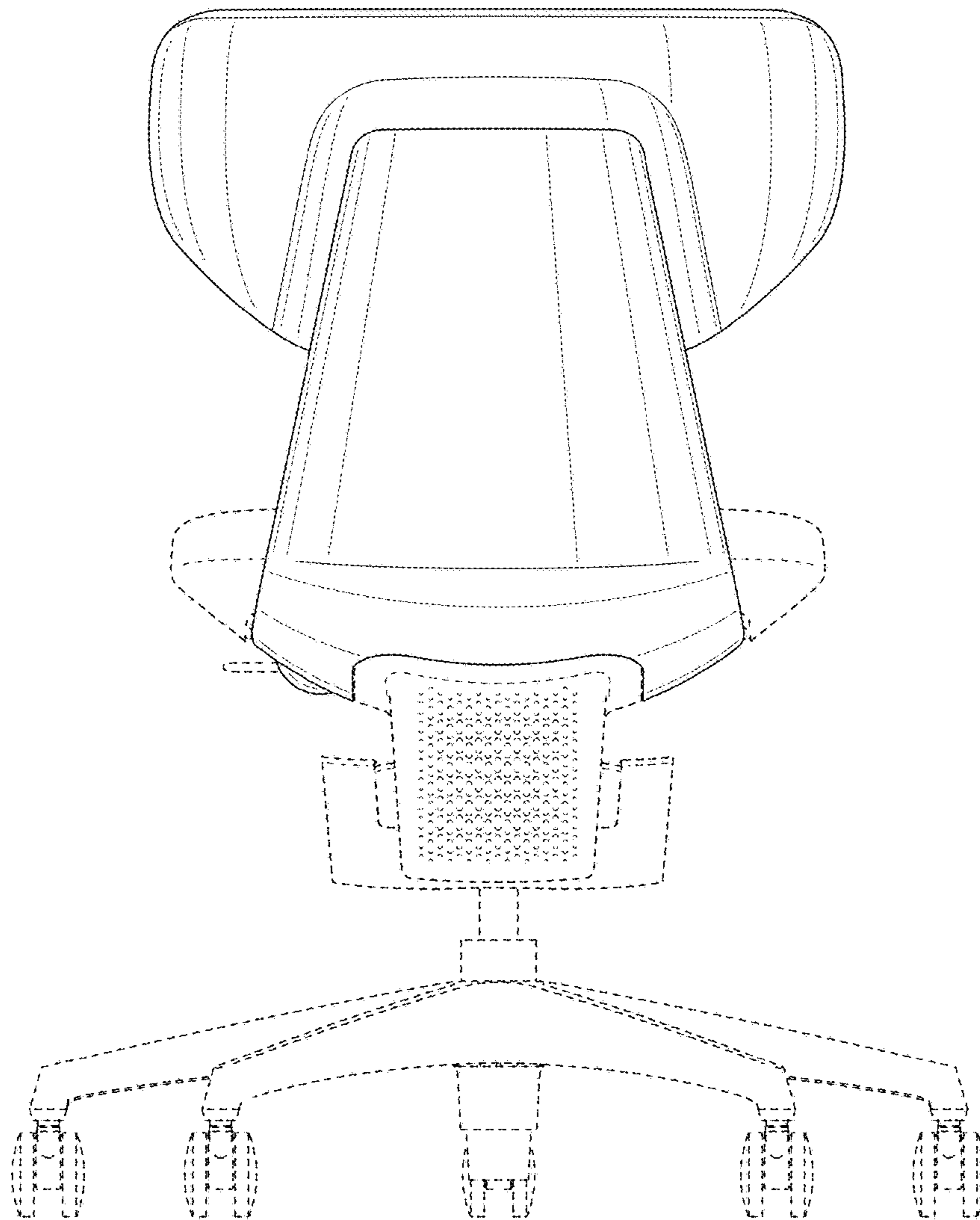


FIG. 3

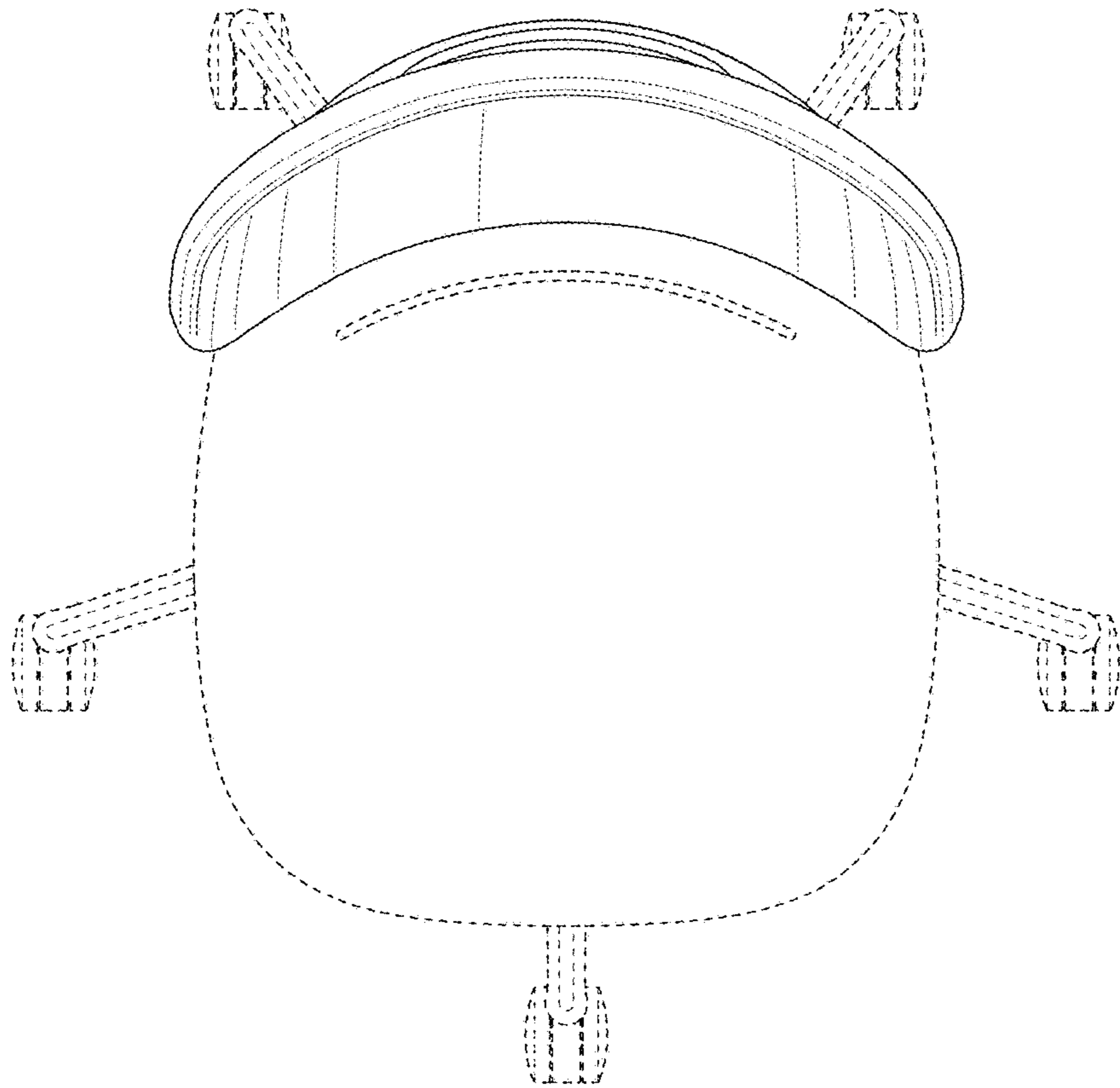


FIG. 4

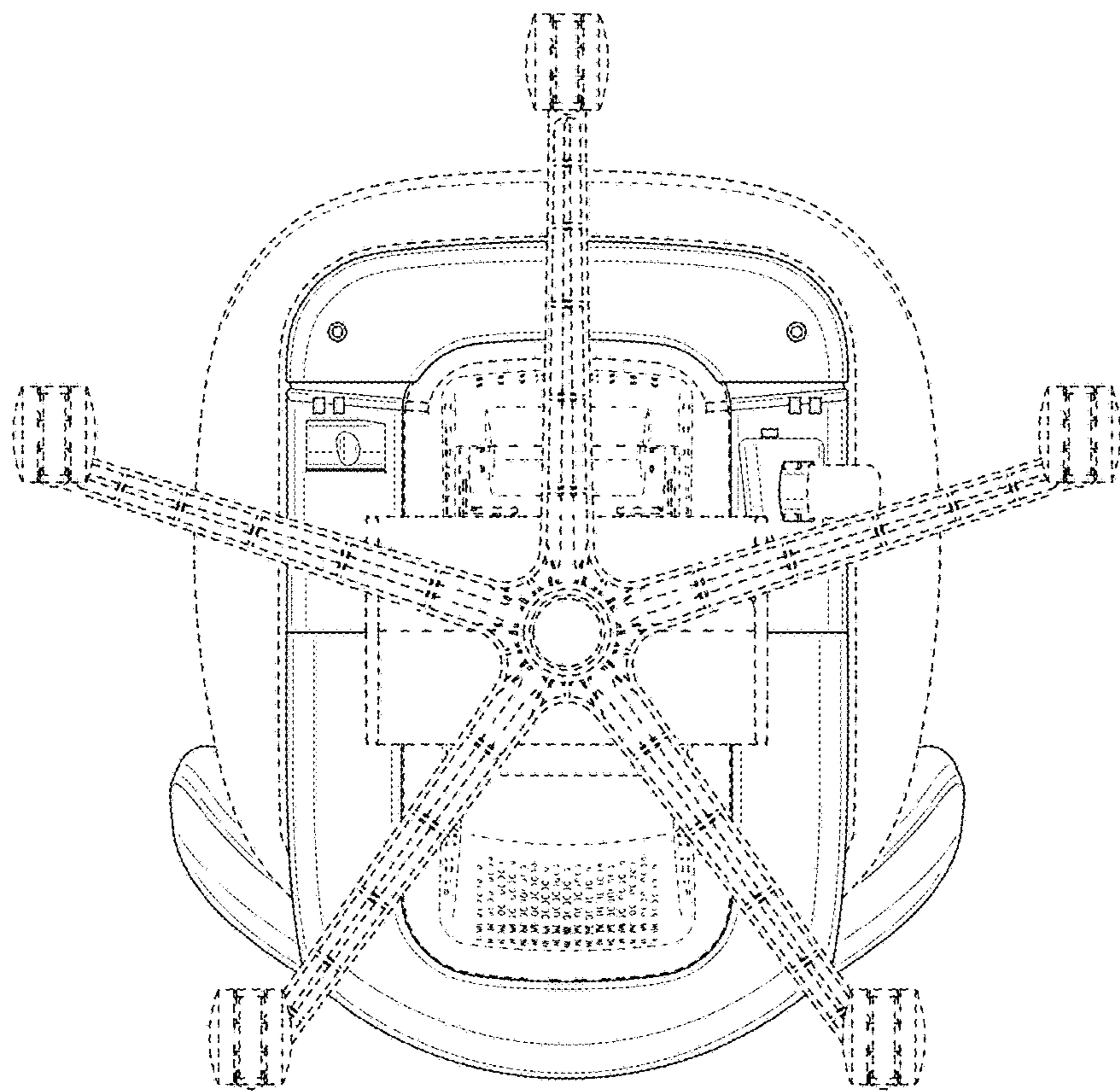


FIG. 5

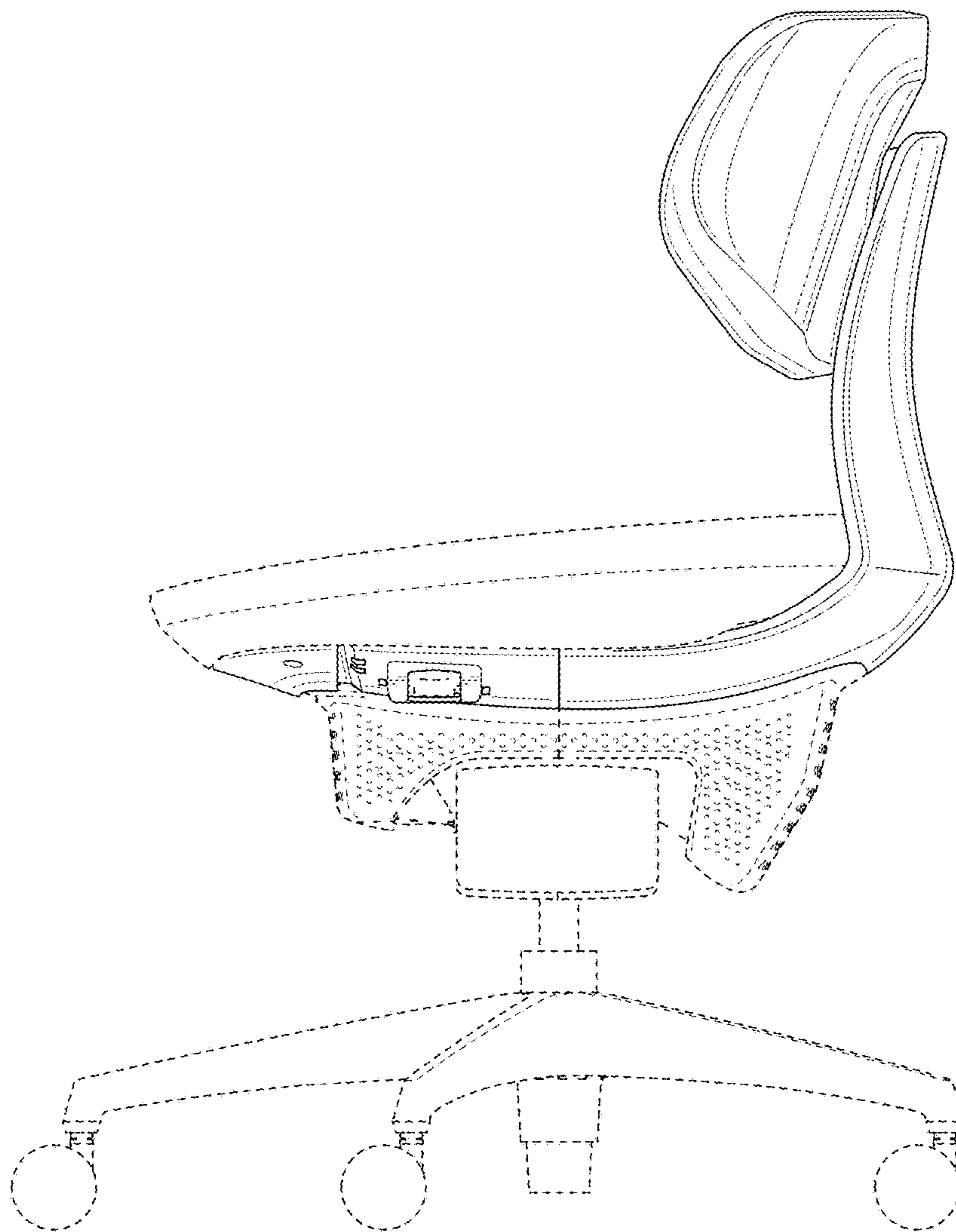


FIG. 6

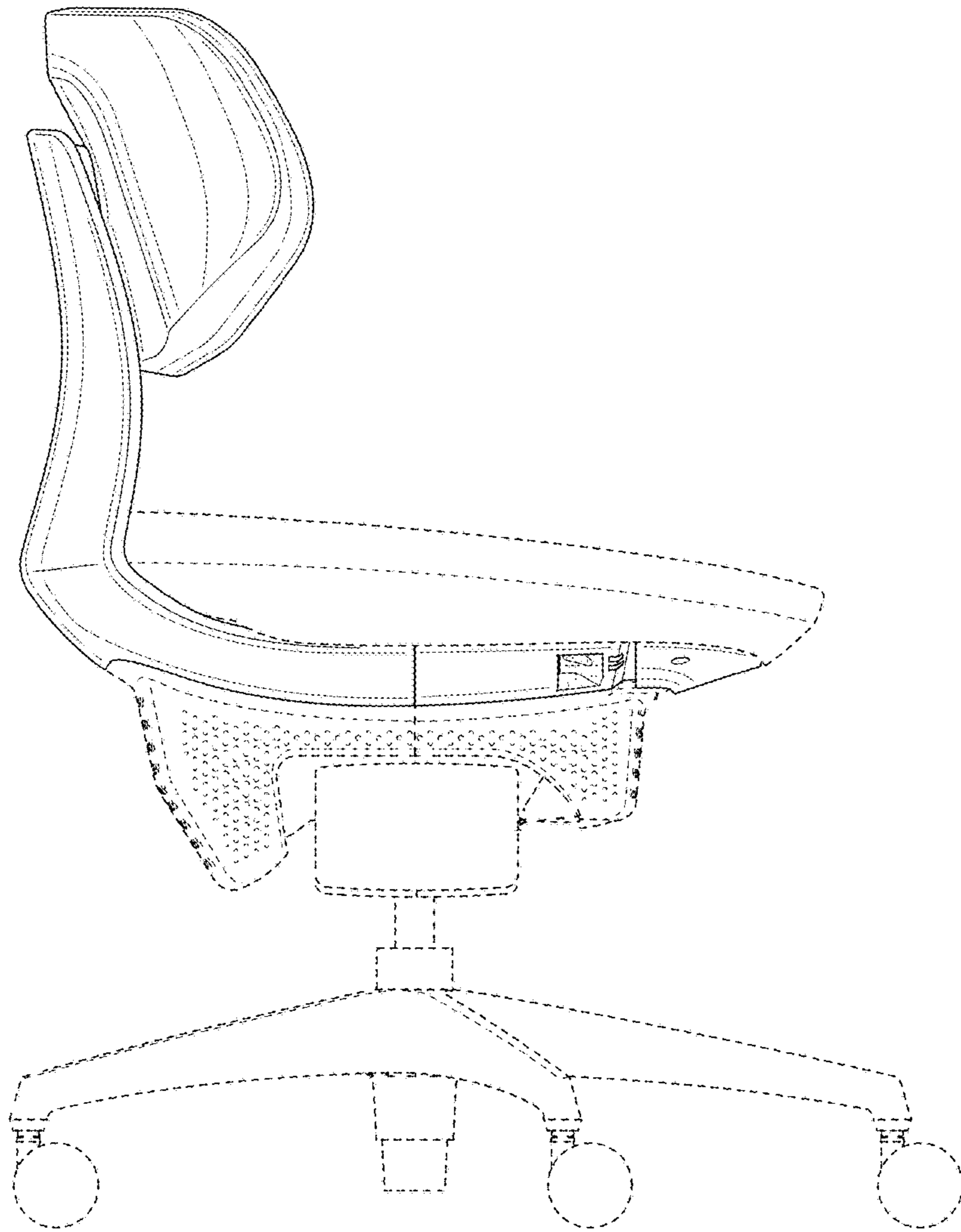


FIG. 7

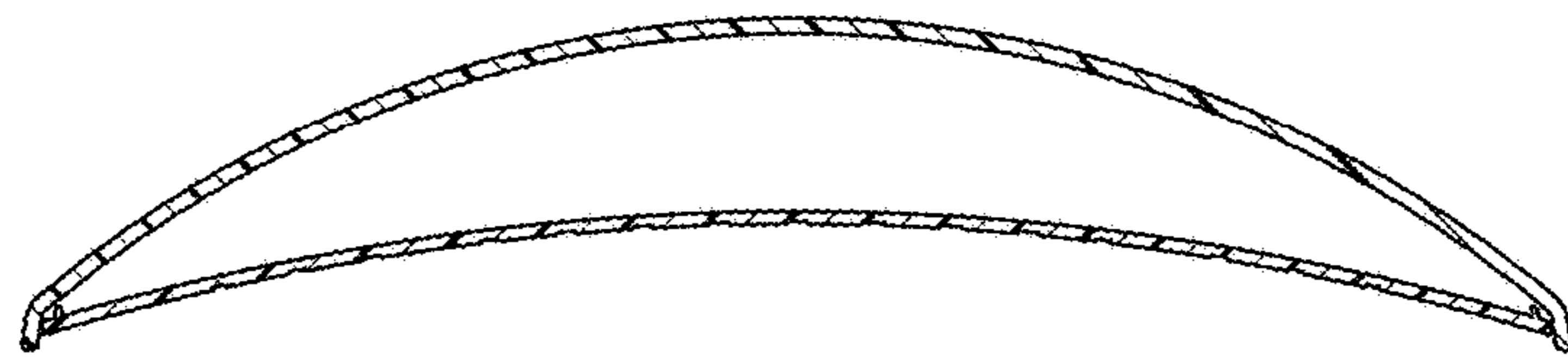


FIG. 8