



US00D857430S

(12) **United States Design Patent** (10) **Patent No.:** **US D857,430 S**
Ravid (45) **Date of Patent:** **** Aug. 27, 2019**

(54) **STAND**
(71) Applicants: **Itamar Eshet**, Bat Hefer (IL); **Yuval Ravid**, Bat Hefer (IL)
(72) Inventor: **Yuval Ravid**, Bat Hefer (IL)
(73) Assignees: **Itamar Eshet**, Bat Hefer (IL); **Yuval Ravid**, Bat Hefer (IL)
(**) Term: **15 Years**
(21) Appl. No.: **29/648,514**
(22) Filed: **May 22, 2018**
(51) **LOC (12) Cl.** **06-06**
(52) **U.S. Cl.**
USPC **D6/682.2**
(58) **Field of Classification Search**
USPC D6/672, 678, 678.2, 682, 682.1, 682.2,
D6/682.3, 683.4; D3/304-305, 313-316
CPC A47B 73/00; A47B 81/00; A47F 5/0018;
A47F 5/16; A47F 7/28; A47F 7/283
See application file for complete search history.

D647,667 S * 10/2011 Siklosi D30/130
D704,261 S * 5/2014 Kim D19/85
D705,618 S * 5/2014 Reid, Jr. D7/701
D762,404 S * 8/2016 Williams D6/682.2
D796,277 S * 9/2017 Stiffel D7/701
D813,578 S * 3/2018 Polvadore D6/682.2
D817,105 S * 5/2018 Stuart D7/600.1
D820,782 S * 6/2018 Wang D13/107
D821,122 S * 6/2018 Wang D6/682
D831,479 S * 10/2018 Lylyk D9/432
D840,100 S * 2/2019 Gonzalez D28/38
D847,269 S * 4/2019 Leung D21/470
2016/0303661 A1* 10/2016 Rooney B23B 49/02

* cited by examiner
Primary Examiner — Kelley A Donnelly
(74) *Attorney, Agent, or Firm* — The Roy Gross Law Firm, LLC; Roy Gross

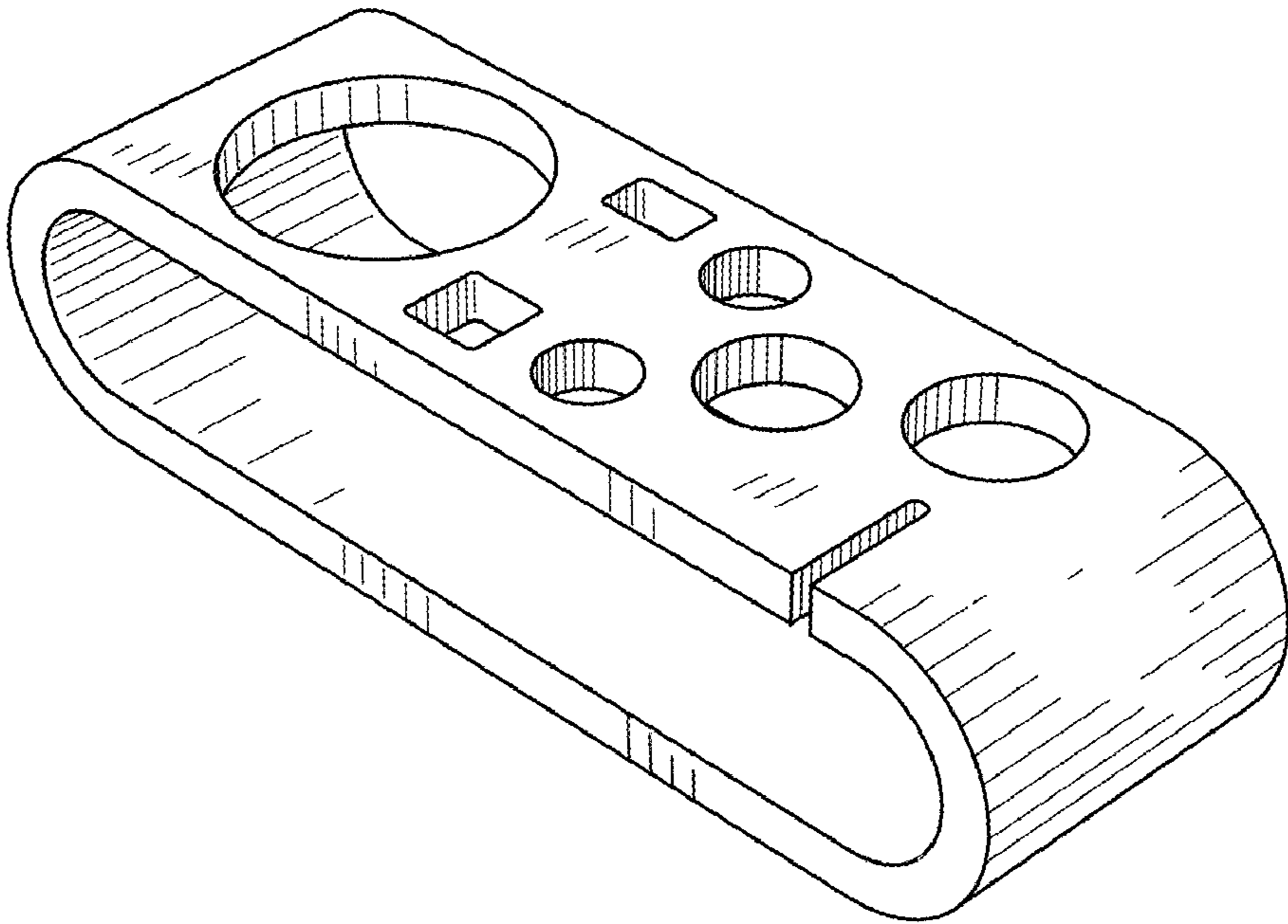
(57) **CLAIM**
The ornamental design for a stand, as shown and described.

DESCRIPTION

FIG. 1 is a front perspective view of a stand in accordance with the new design;
FIG. 2 is a right side view thereof;
FIG. 3 is a top view thereof;
FIG. 4 is a left side view thereof;
FIG. 5 is a bottom side view thereof; and,
FIG. 6 is a rear view thereof.

1 Claim, 2 Drawing Sheets

(56) **References Cited**
U.S. PATENT DOCUMENTS
D162,766 S * 4/1951 Wray 211/74
D289,974 S * 5/1987 Hamilton D9/418
D302,738 S * 8/1989 Doyle D28/38
4,973,018 A * 11/1990 Agor A47K 1/09
211/75
D381,515 S * 7/1997 Haynes D24/224
D505,841 S * 6/2005 Fiedeler D6/525



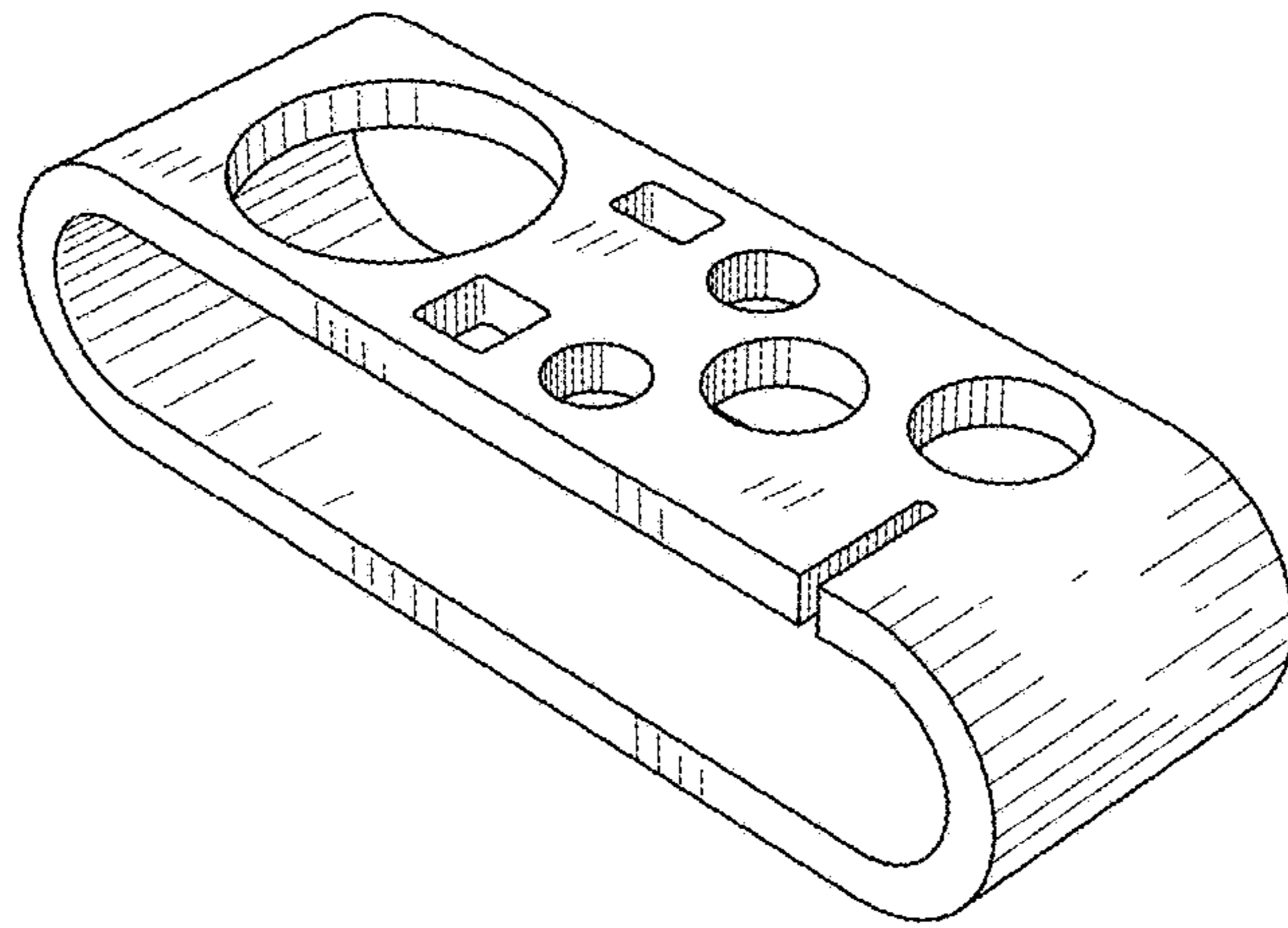


FIG. 1

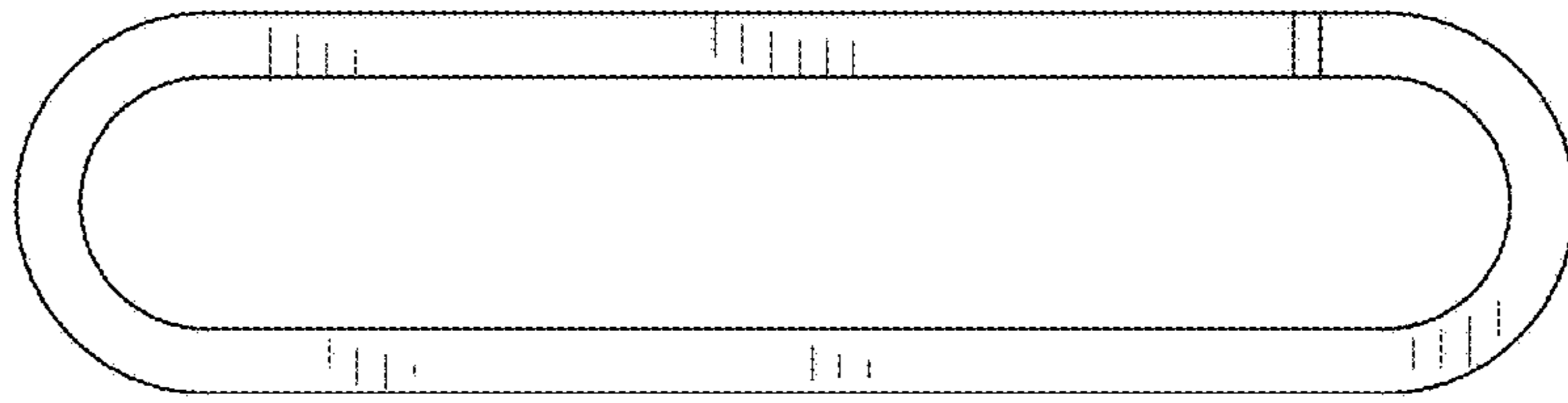


FIG. 2

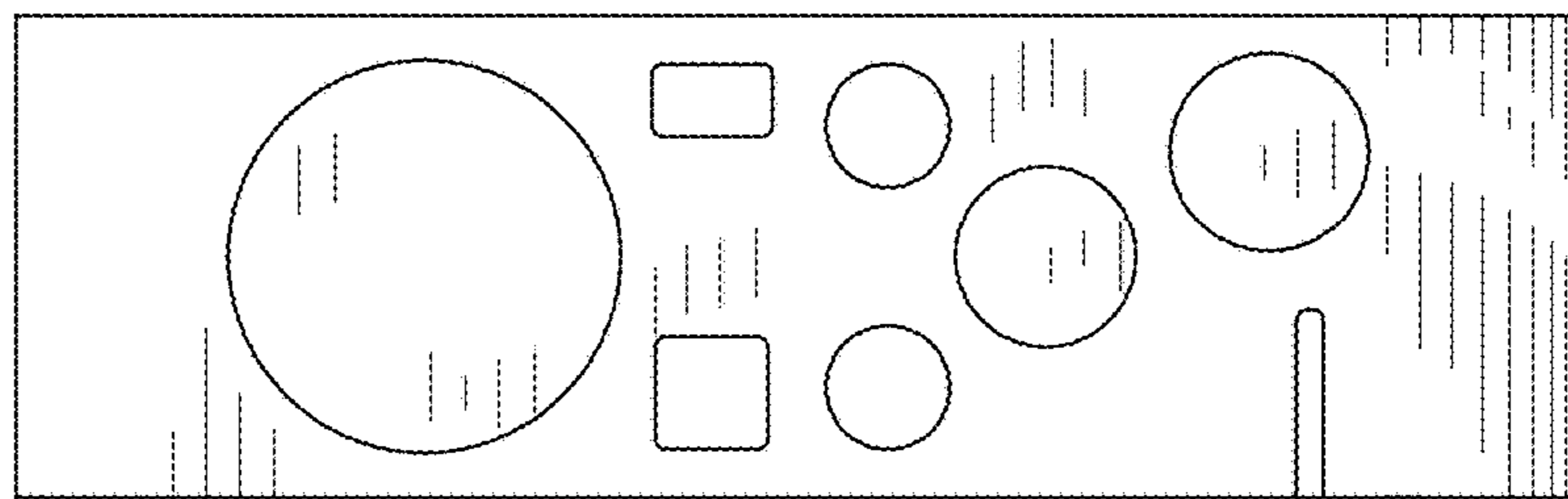


FIG. 3

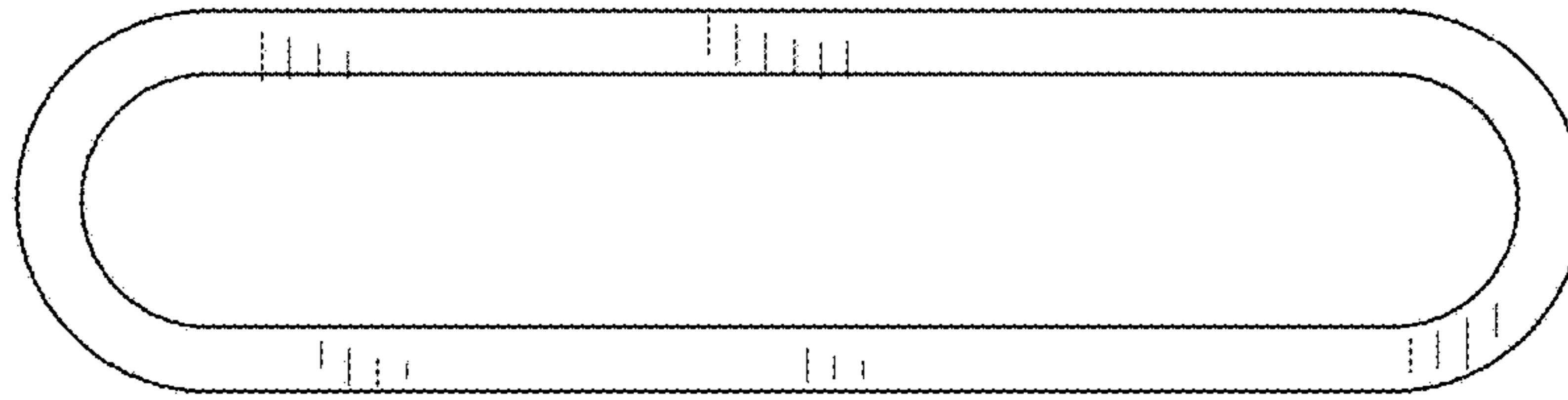


FIG. 4

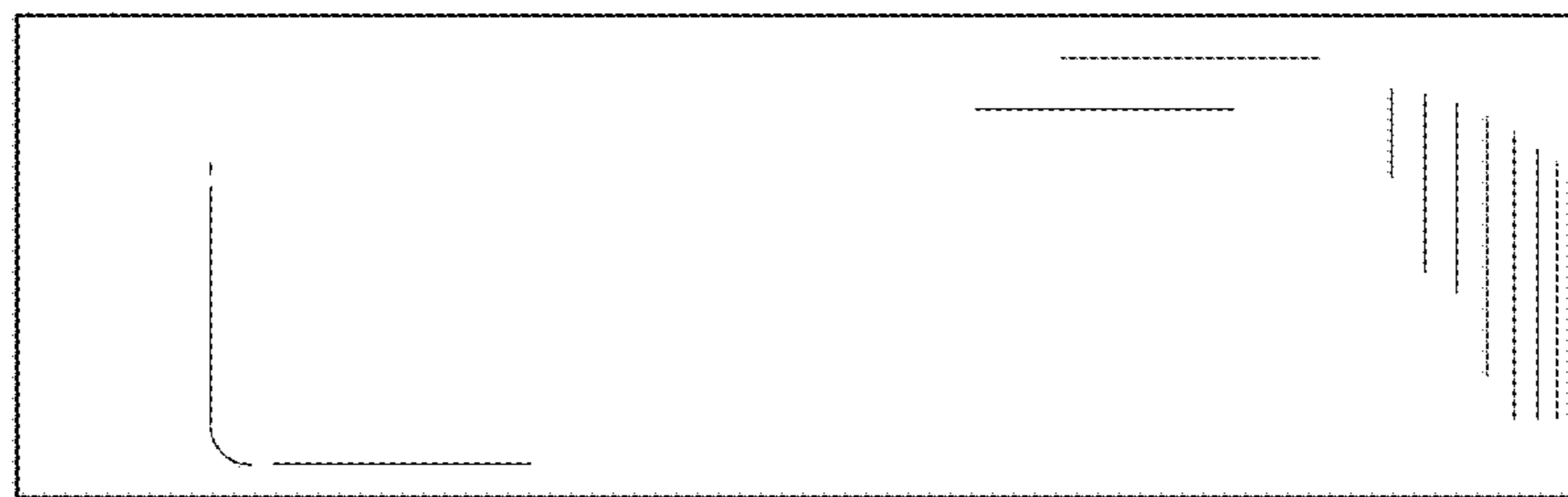


FIG. 5

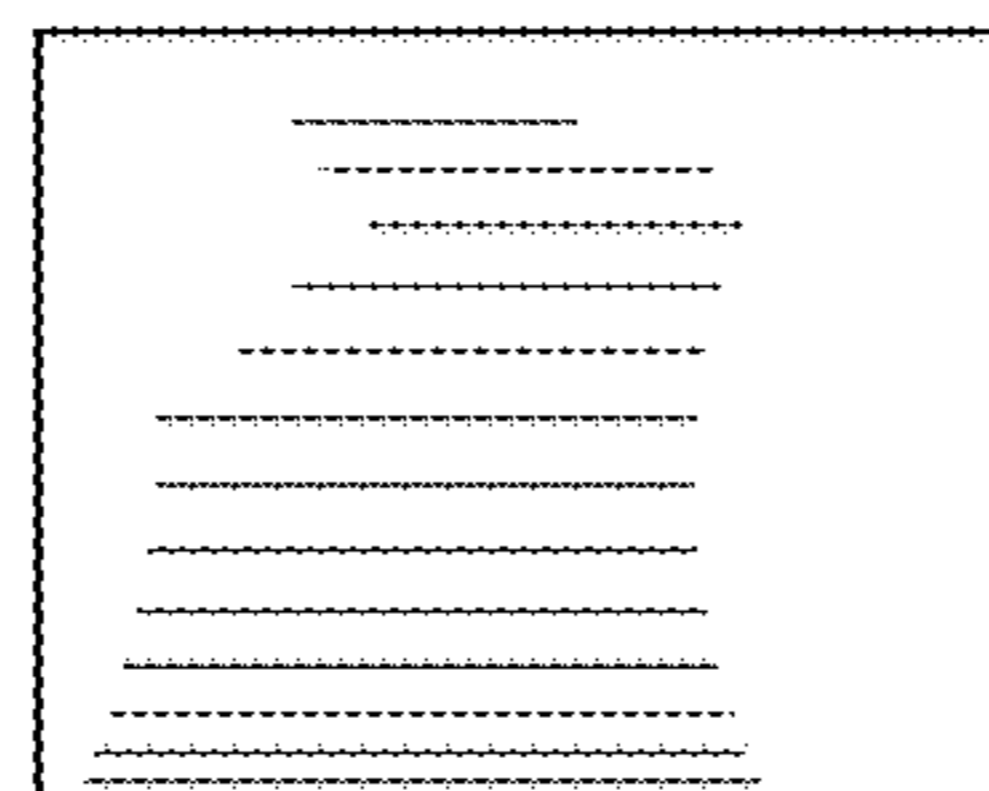


FIG. 6