



US00D857429S

(12) **United States Design Patent** (10) **Patent No.:** **US D857,429 S**
Kuehnast (45) **Date of Patent:** **** Aug. 27, 2019**

(54) **OBJECT ELEVATING DISPLAY STAND**

(71) Applicant: **Noah Kuehnast**, Long Beach, CA (US)

(72) Inventor: **Noah Kuehnast**, Long Beach, CA (US)

(**) Term: **15 Years**

(21) Appl. No.: **29/600,915**

(22) Filed: **Apr. 17, 2017**

(51) **LOC (12) Cl.** **06-04**

(52) **U.S. Cl.**

USPC **D6/681.1**

(58) **Field of Classification Search**

USPC D6/672, 674, 681, 681.1, 682, 682.3,
D6/682.5, 708.17, 512; D7/601, 388;
D11/131; D14/447

CPC . A47F 5/04; A47F 7/00; A47F 7/0071; A47B
2097/005

See application file for complete search history.

(56) **References Cited**

U.S. PATENT DOCUMENTS

D183,511 S *	9/1958	Chesney et al.	D6/681.1
D210,835 S *	4/1968	Rogers et al.	223/95
D242,413 S *	11/1976	Olson et al.	D6/347
4,149,337 A *	4/1979	Habisohn	A63H 33/28 131/198.1
D260,338 S *	8/1981	Savage	D6/681.1
D260,625 S *	9/1981	Schoolcraft	D11/131
D290,558 S *	6/1987	Zorrilla	D6/682.5
D300,790 S *	4/1989	Beckwith	D11/131
D328,573 S *	8/1992	Berry	D11/131
D335,401 S *	5/1993	Nations	D11/131
D356,906 S *	4/1995	Dardashti	D6/674
D365,249 S *	12/1995	Reisman	D7/601
D369,482 S *	5/1996	McArdle	D7/601
D385,751 S *	11/1997	Hollinger	D7/601
D491,952 S *	6/2004	Oddsens	D14/447
D496,180 S *	9/2004	Abruzzo	D6/681.1
D506,774 S *	6/2005	Stevens	D17/99

D524,111 S *	7/2006	Goodman	D7/601
D585,666 S *	2/2009	Hamasaki	D6/682
D613,524 S *	4/2010	Jeffers	D6/682
D628,830 S *	12/2010	Mono	D6/682.3
D637,043 S *	5/2011	Baquero	D7/601
D672,782 S *	12/2012	Gross	D14/447
D690,306 S *	9/2013	Malisse	D14/447
D690,969 S *	10/2013	Wilson	D6/682.5
D691,839 S *	10/2013	Dallenbach	D6/681.1
D694,069 S *	11/2013	Goodman	D7/601
D697,373 S *	1/2014	Goodman	D7/601
D698,203 S *	1/2014	Goodman	D7/601
D714,775 S *	10/2014	Yoo	D14/253
D716,597 S *	11/2014	Muller	D6/708.17

(Continued)

OTHER PUBLICATIONS

Molded Desktop Base, Applicant's Product Documentation.
(Continued)

Primary Examiner — John Windmuller

Assistant Examiner — Steven J Czyz

(74) *Attorney, Agent, or Firm* — Patrick Reilly

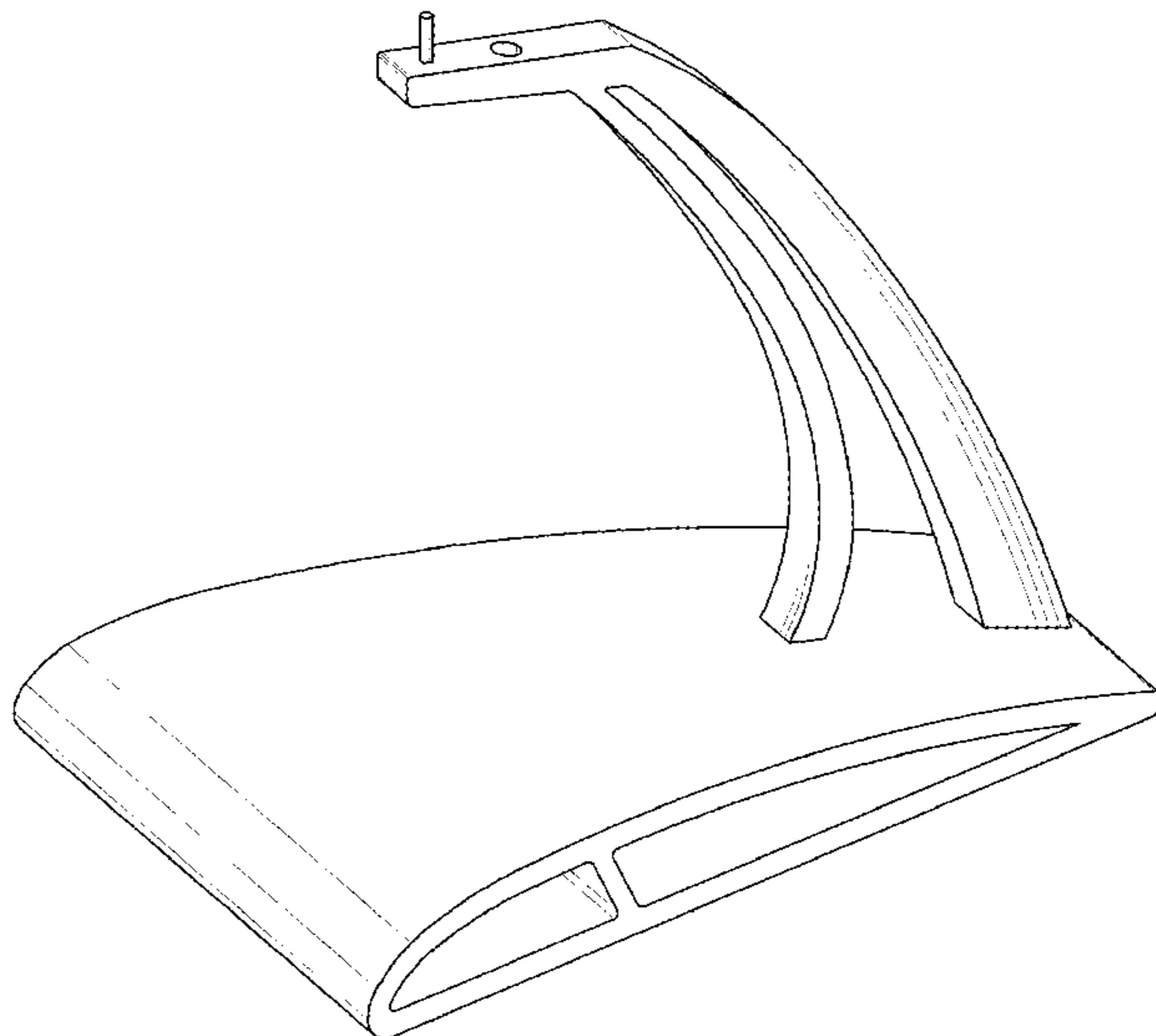
(57) **CLAIM**

The ornamental design for an object elevating display stand,
as shown and described.

DESCRIPTION

FIG. 1 is a top right perspective view of an object elevating display stand;
FIG. 2 is a front elevation view thereof;
FIG. 3 is a rear elevation view thereof;
FIG. 4 is a right side elevation view with the left side elevation view being a mirror image thereof;
FIG. 5 is a top plan view thereof; and,
FIG. 6 is a bottom plan view thereof.
The broken lines depict portions of the article that form no part of the claimed design.

1 Claim, 6 Drawing Sheets



(56)

References Cited

U.S. PATENT DOCUMENTS

D737,606 S * 9/2015 King D6/682
D744,789 S * 12/2015 Millstein D6/512
D760,723 S * 7/2016 Won D14/447
D760,724 S * 7/2016 Kang D14/447
D766,046 S * 9/2016 Guindi D7/601
D766,666 S * 9/2016 Joseph D7/601
D784,056 S * 4/2017 Van Herpe D6/682
D799,464 S * 10/2017 Zaihui D14/252

OTHER PUBLICATIONS

Clear Plex Desktop Base, Applicant's Product Documentation.
Curved Desktop Base, Applicant's Product Documentation.
Base Attached to Model Airplane, Applicant's Product Documentation.
Sales Literature, Applicant's Product Literature.

* cited by examiner

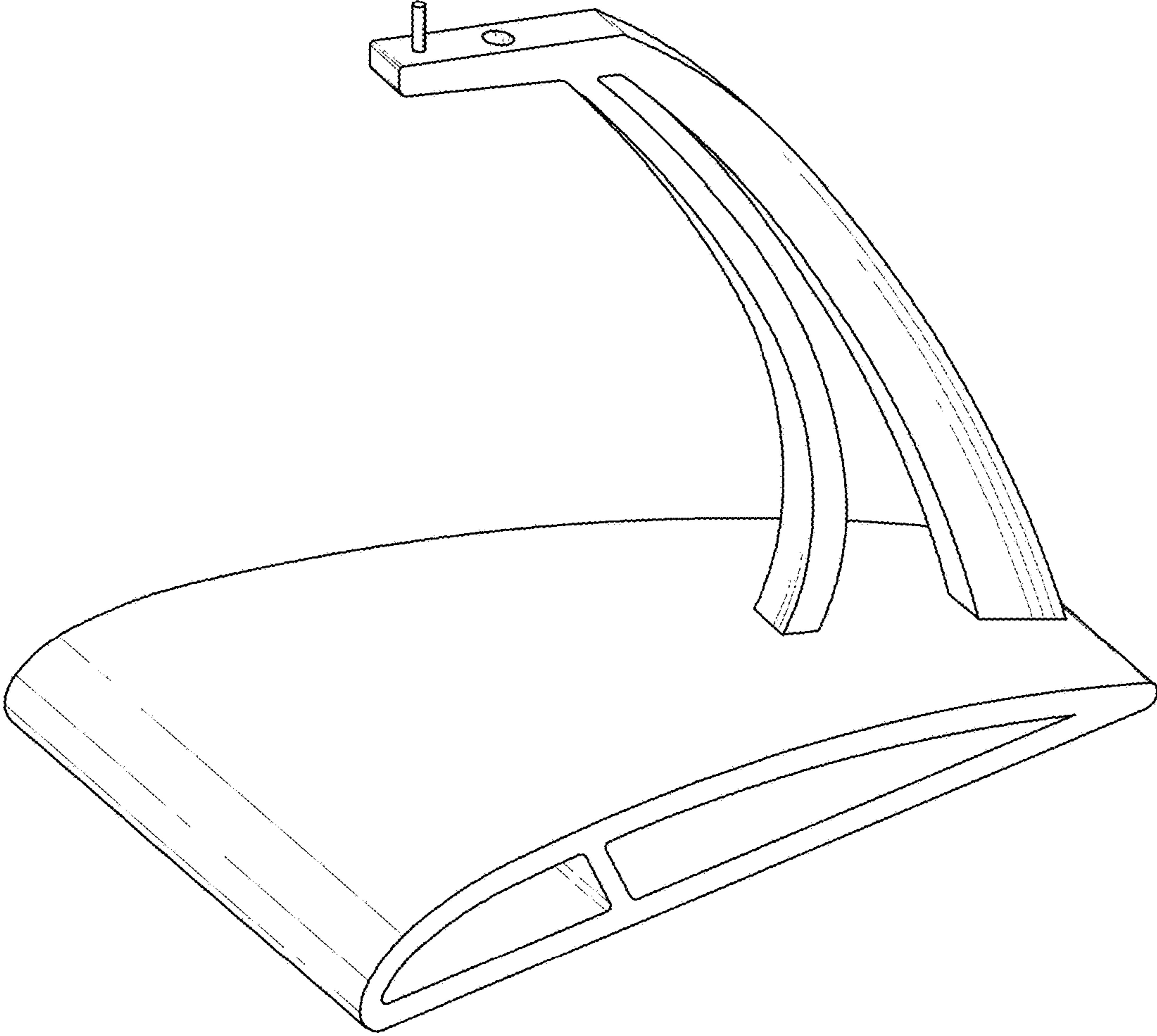


Figure 1

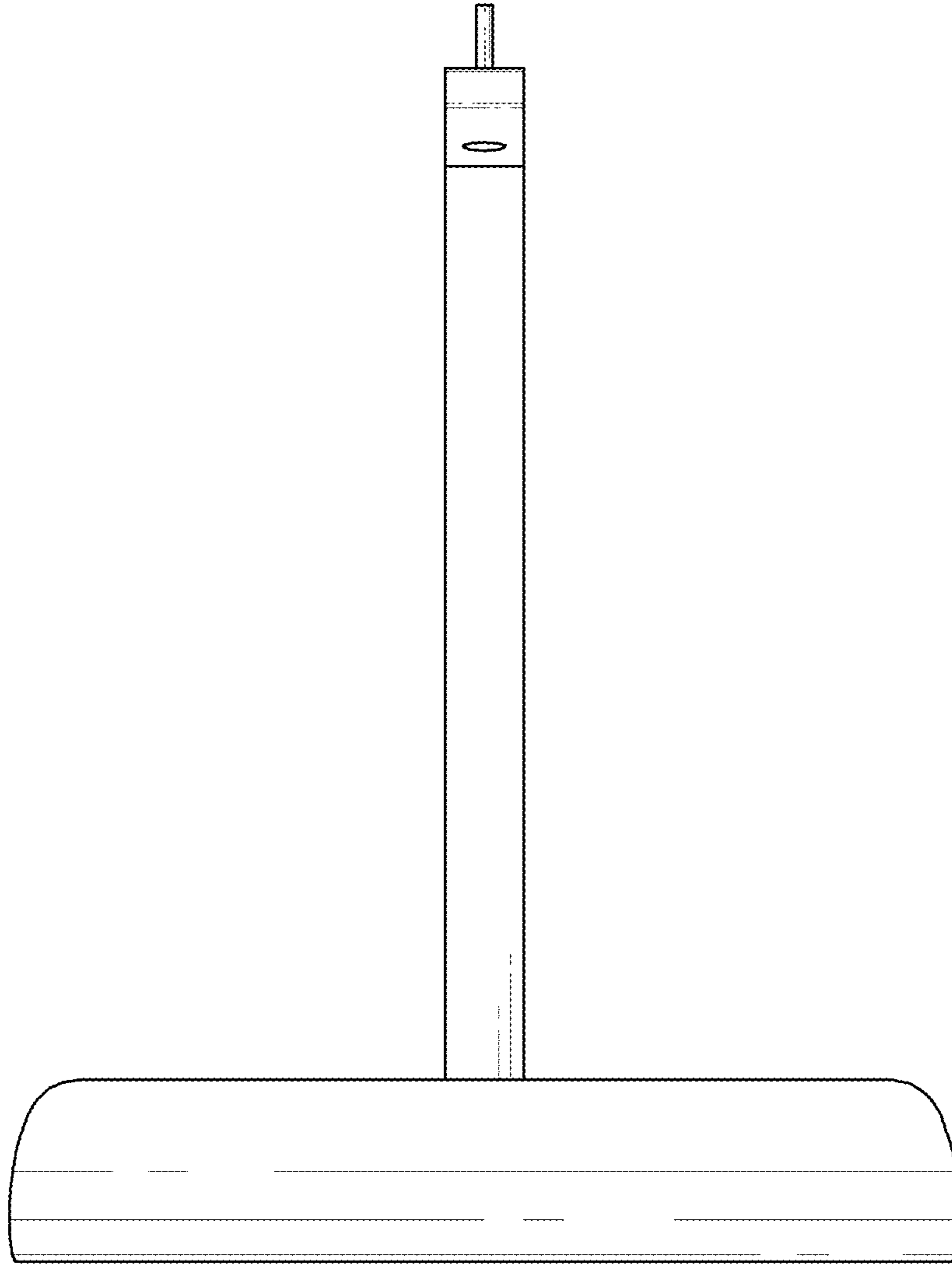


Figure 2

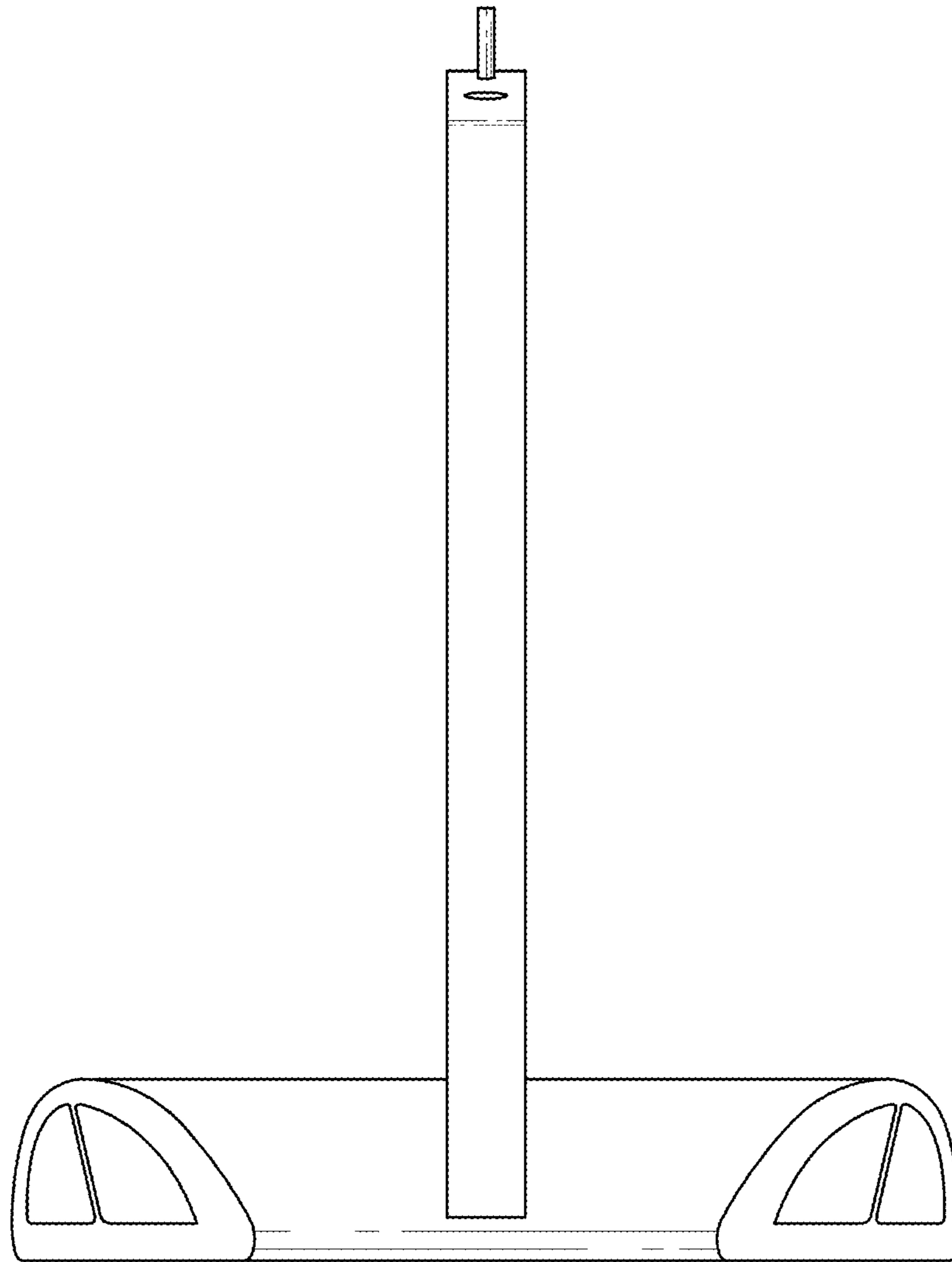


Figure 3

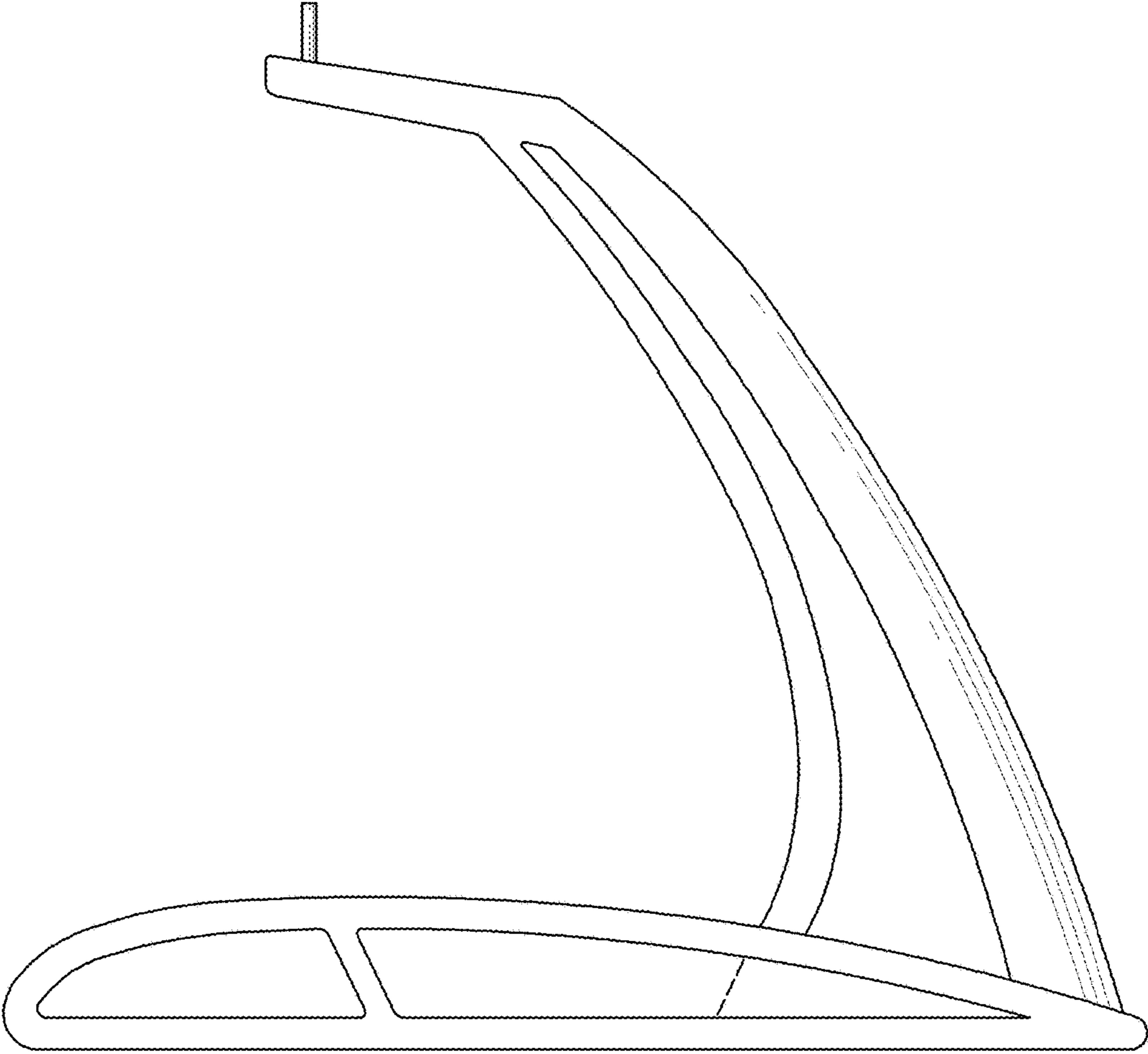


Figure 4

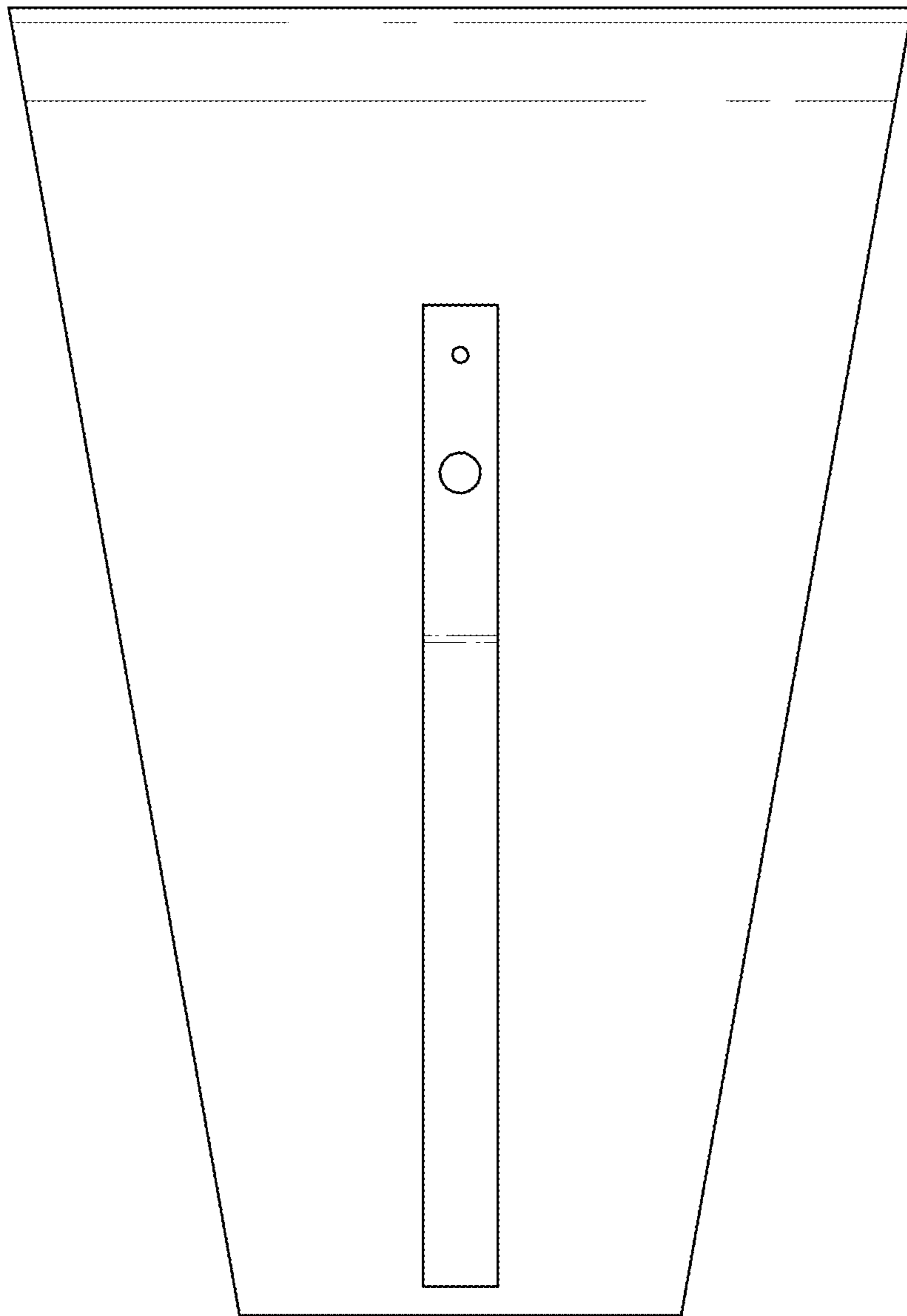


Figure 5

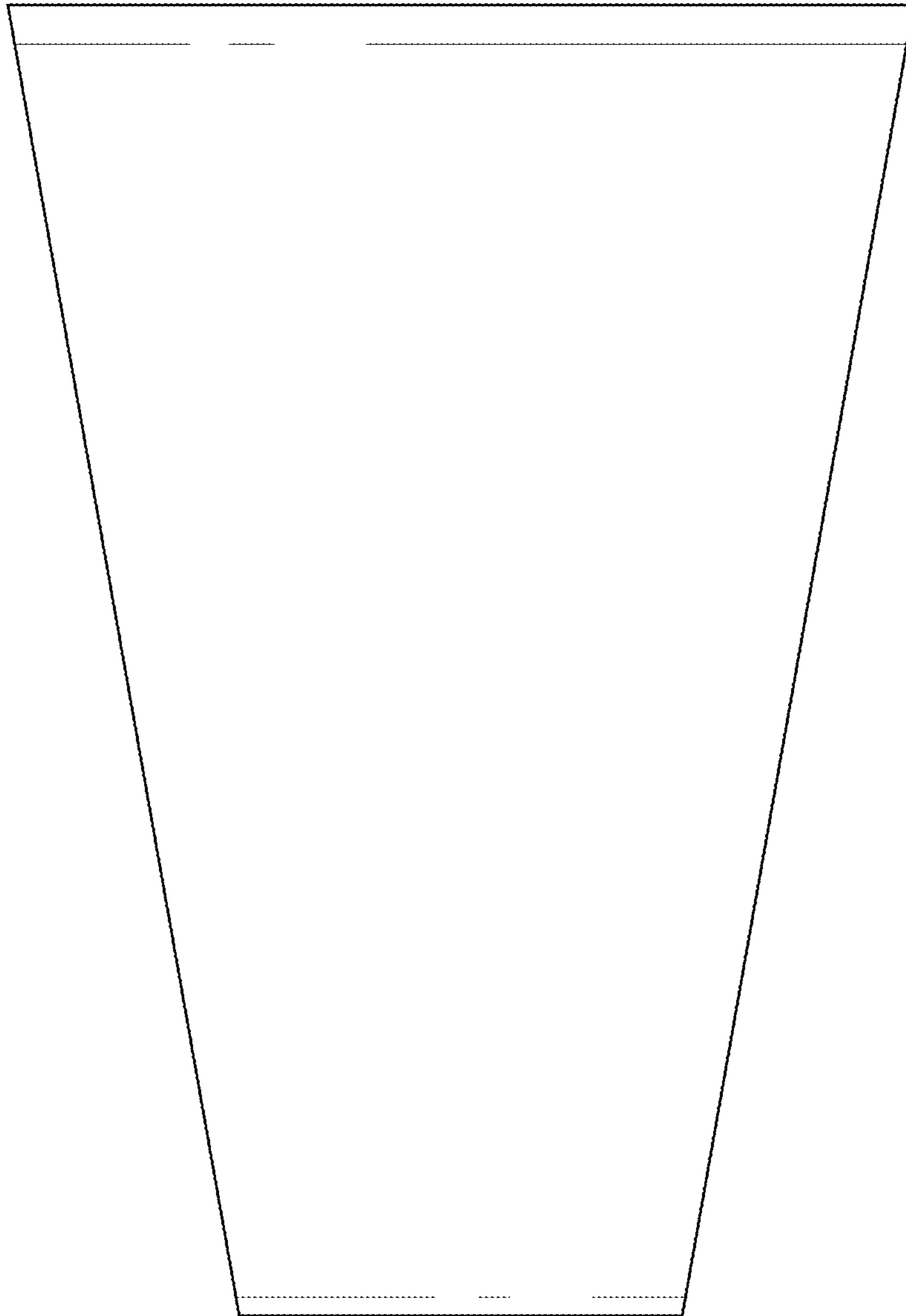


Figure 6