



US00D857427S

(12) **United States Design Patent** (10) **Patent No.:** **US D857,427 S**
Bird (45) **Date of Patent:** **** Aug. 27, 2019**

(54) **DISPLAY RACK**
(71) Applicant: **Brad Bird**, Medley, FL (US)
(72) Inventor: **Brad Bird**, Medley, FL (US)
(**) Term: **15 Years**
(21) Appl. No.: **29/638,045**
(22) Filed: **Feb. 23, 2018**
(51) **LOC (12) Cl.** **06-06**
(52) **U.S. Cl.**
USPC **D6/675**
(58) **Field of Classification Search**
USPC D6/315, 329, 672, 673, 675, 675.1, 682,
D6/512
CPC A47B 47/00; A47B 47/0058; A47B 47/06;
A47F 5/00; A47F 5/0018; A47F 5/0062;
A47F 3/00
See application file for complete search history.

D783,321 S * 4/2017 Levy D6/680.2
D817,041 S * 5/2018 Olvera D6/672
D825,228 S * 8/2018 Grupenhof D6/675

* cited by examiner

Primary Examiner — Kelley A Donnelly
(74) *Attorney, Agent, or Firm* — Gregory L. Mayback

(57) **CLAIM**

The ornamental design for a display rack, as shown and described.

DESCRIPTION

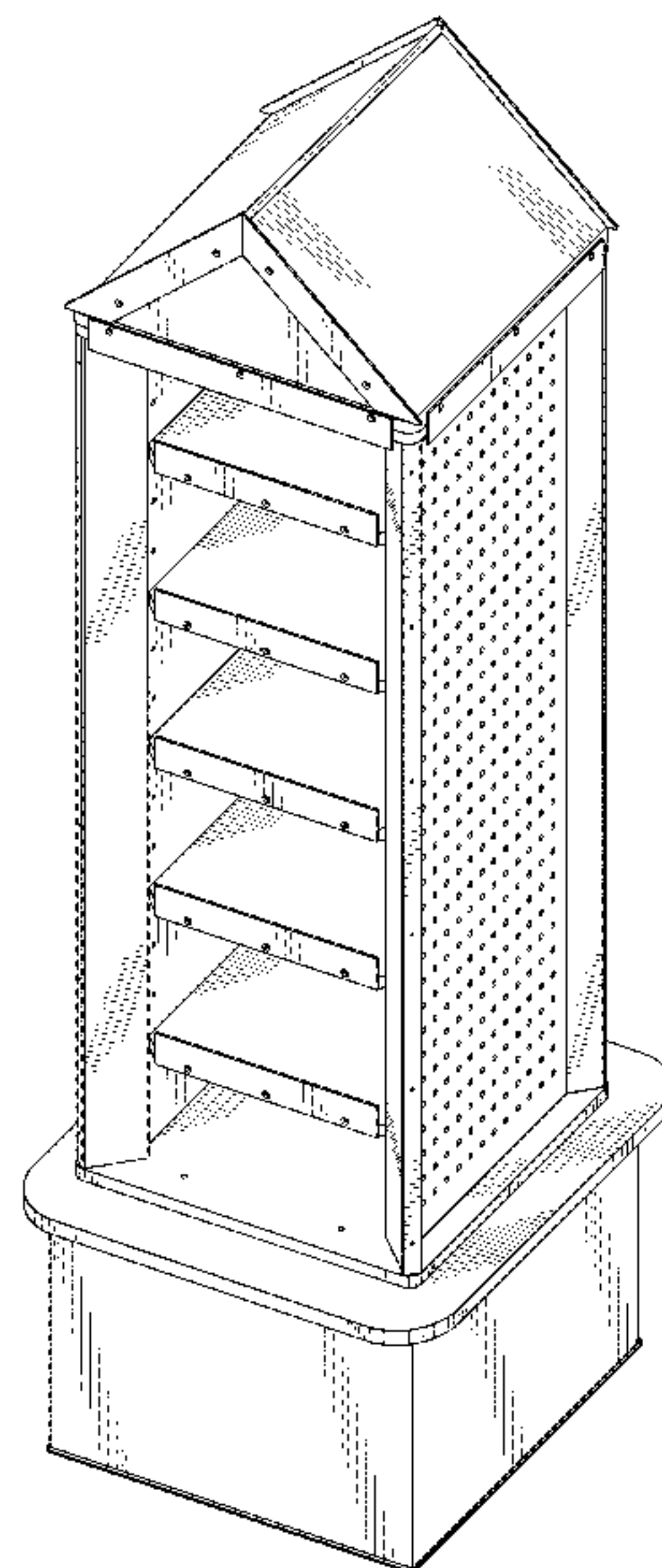
FIG. 1 is a front perspective view of a display rack showing my new design;
FIG. 2 is a front elevation view thereof;
FIG. 3 is a rear elevation view thereof;
FIG. 4 is a left side elevation view thereof;
FIG. 5 is a right side elevation view thereof;
FIG. 6 is a top plan view thereof;
FIG. 7 is a bottom plan view thereof;
FIG. 8 is a front perspective view thereof with the base turned approximately forty-five degrees with respect to the upper portion;
FIG. 9 is a front perspective view of the display rack of FIG. 8 with a roof and base skirt in dashed lines; and,
FIG. 10 is a front perspective view of the display rack of FIG. 8 with a thatched roof in dashed lines in an exploded view above.
The dashed broken lines in FIG. 7 indicating casters are for illustrative purposes only and form no part of the claimed design.
The dashed broken lines in FIGS. 9 and 10 indicating a thatched roof are for illustrative purposes only and form no part of the claimed design.
The dashed broken lines in FIG. 9 indicating thatched base side walls are for illustrative purposes only and form no part of the claimed design.

(56) **References Cited**

U.S. PATENT DOCUMENTS

D314,292 S * 2/1991 Nyman D6/680.2
D314,296 S * 2/1991 Mason D6/675.1
D382,420 S * 8/1997 Woodward D6/680.2
D382,421 S * 8/1997 Burchett D6/680
D383,332 S * 9/1997 Schneider D6/674
D385,130 S * 10/1997 Woodward D6/680.2
D446,625 S * 8/2001 Ballard D99/30
D496,194 S * 9/2004 Mason D6/682.2
7,131,543 B2 * 11/2006 Mason A47F 5/0018
211/59.2
D690,139 S * 9/2013 Trinh D6/672
D731,823 S * 6/2015 Kelinske D6/675.1
D745,298 S * 12/2015 Workman D6/705
9,215,940 B2 * 12/2015 Hawkins A47F 5/0006
D747,902 S * 1/2016 Matloff D6/678.1
D775,871 S * 1/2017 Volz D6/675.1

1 Claim, 8 Drawing Sheets



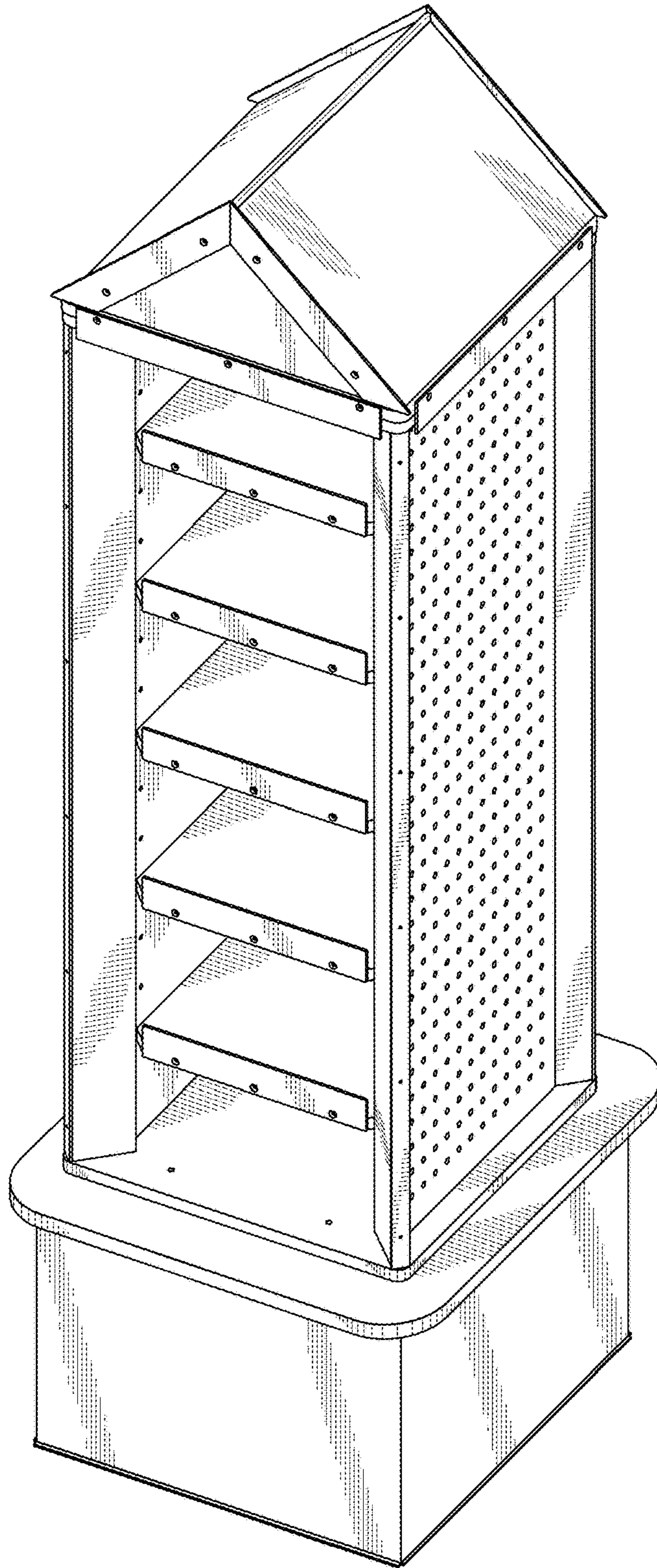


FIG. 1

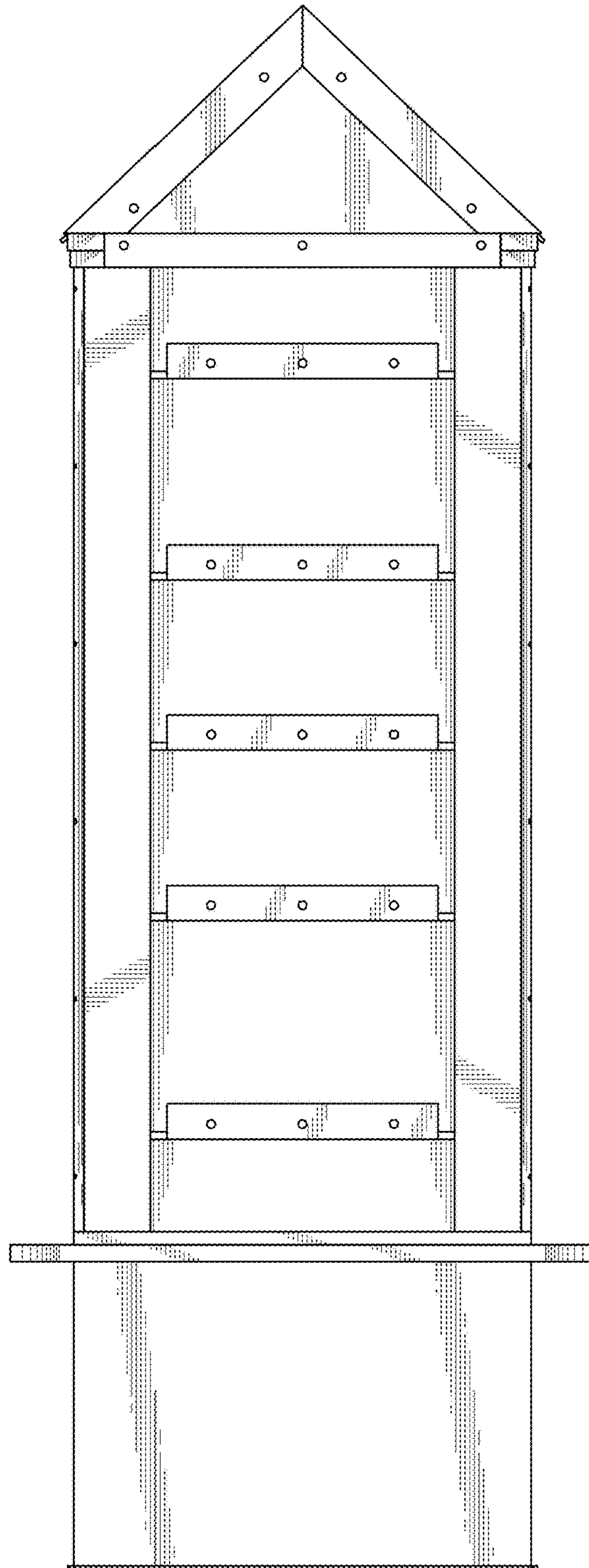


FIG. 2

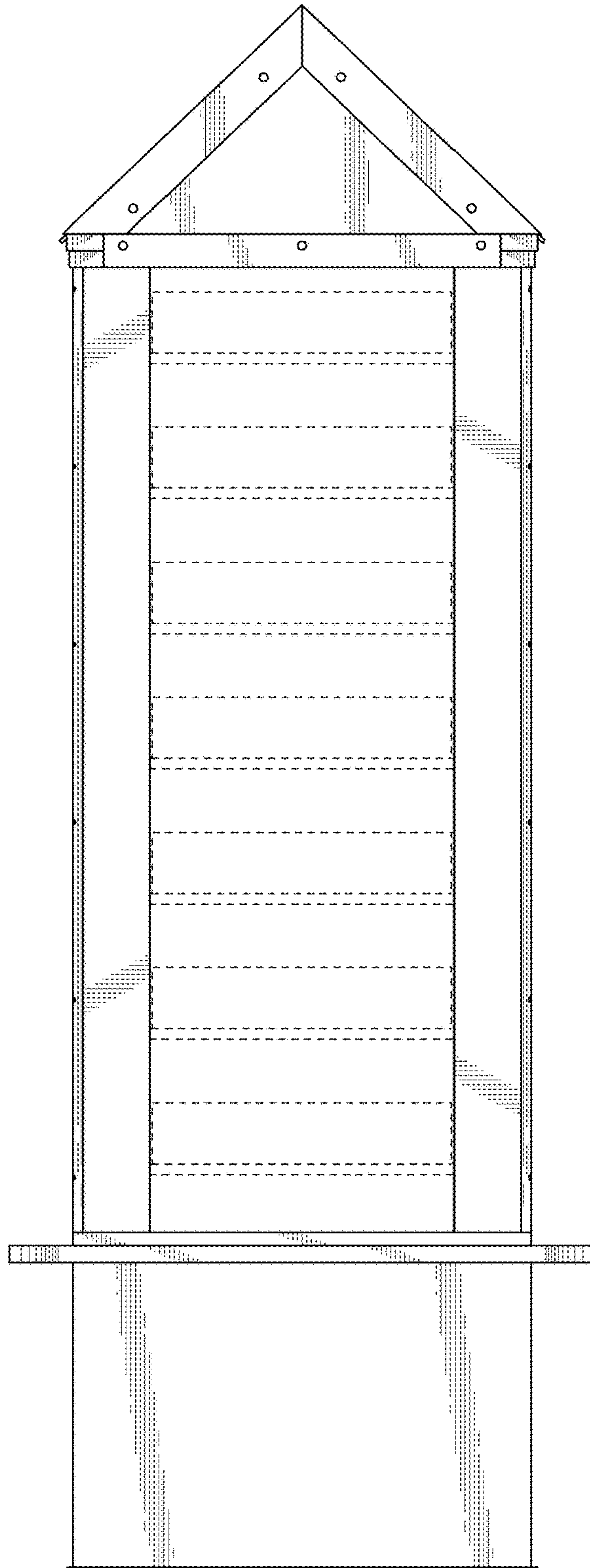


FIG. 3

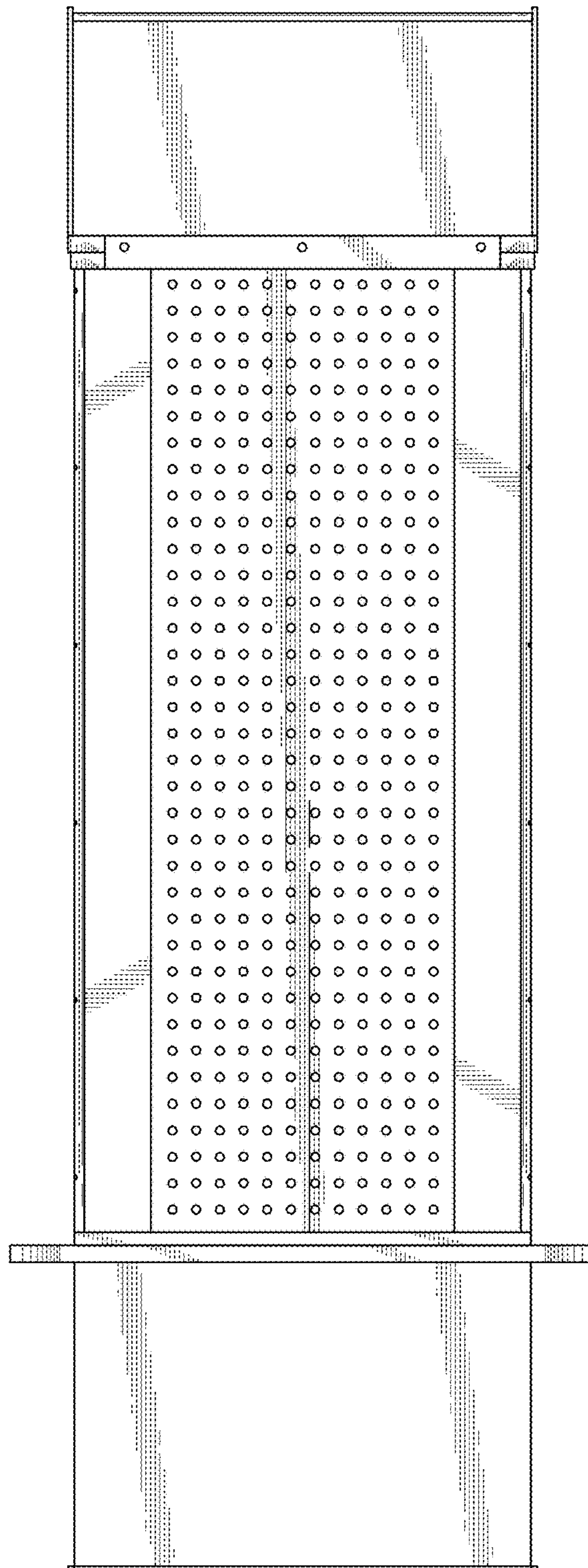


FIG. 4

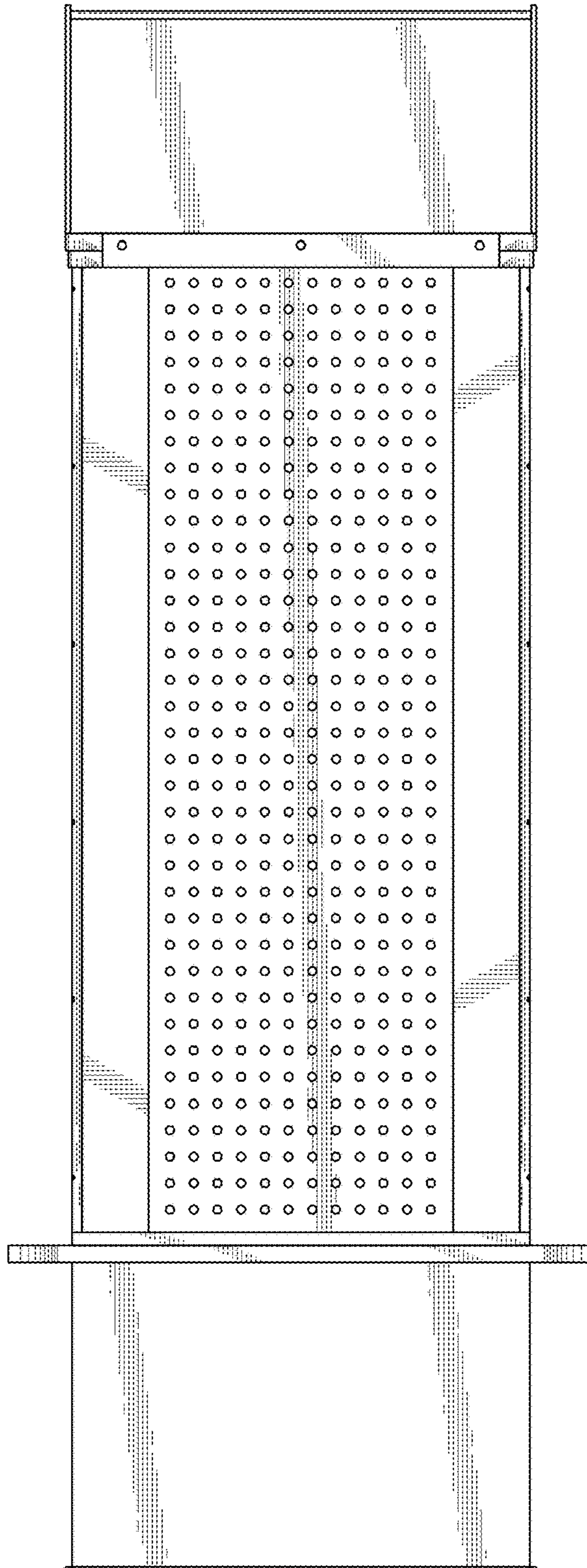


FIG. 5

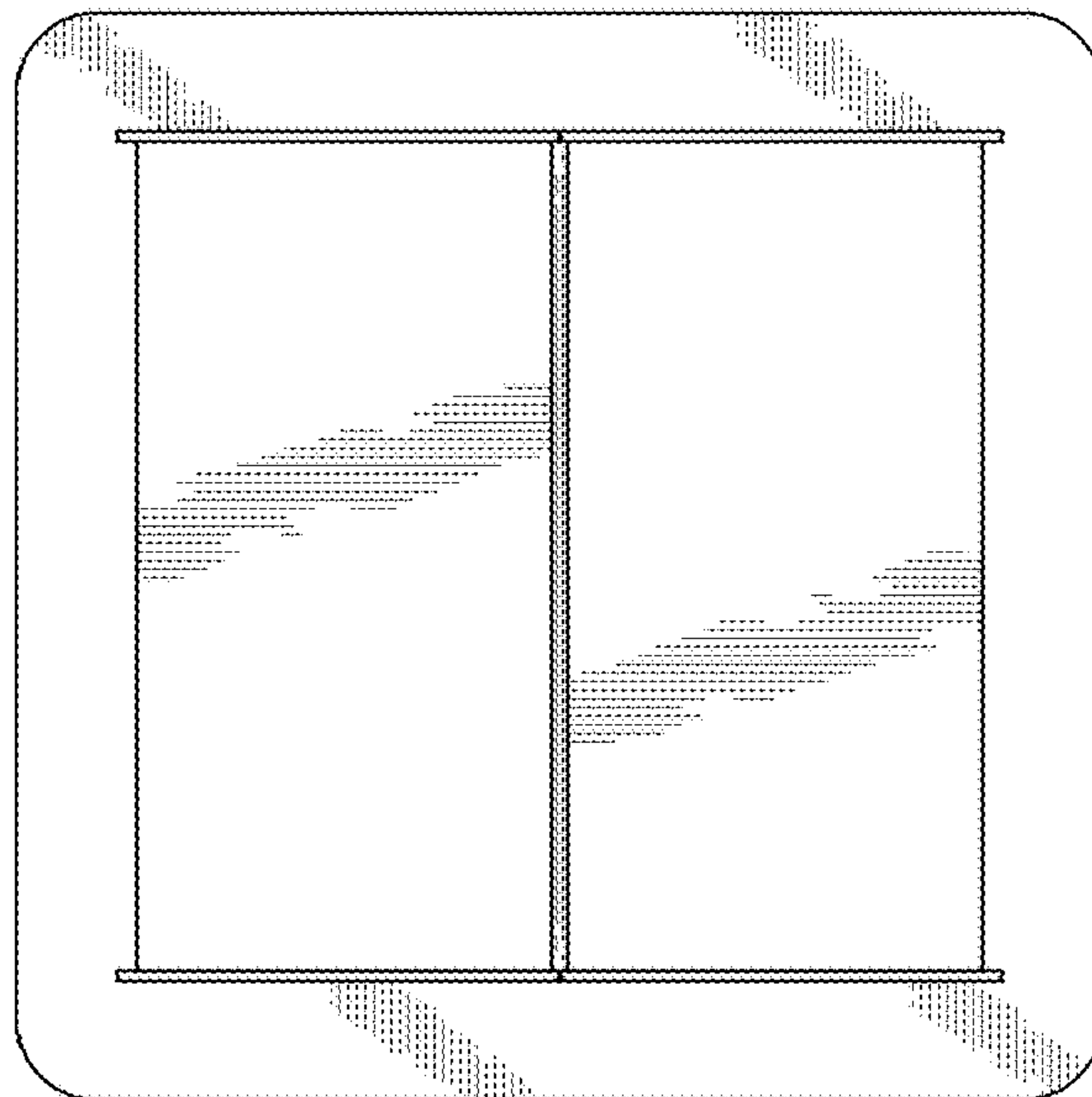


FIG. 6

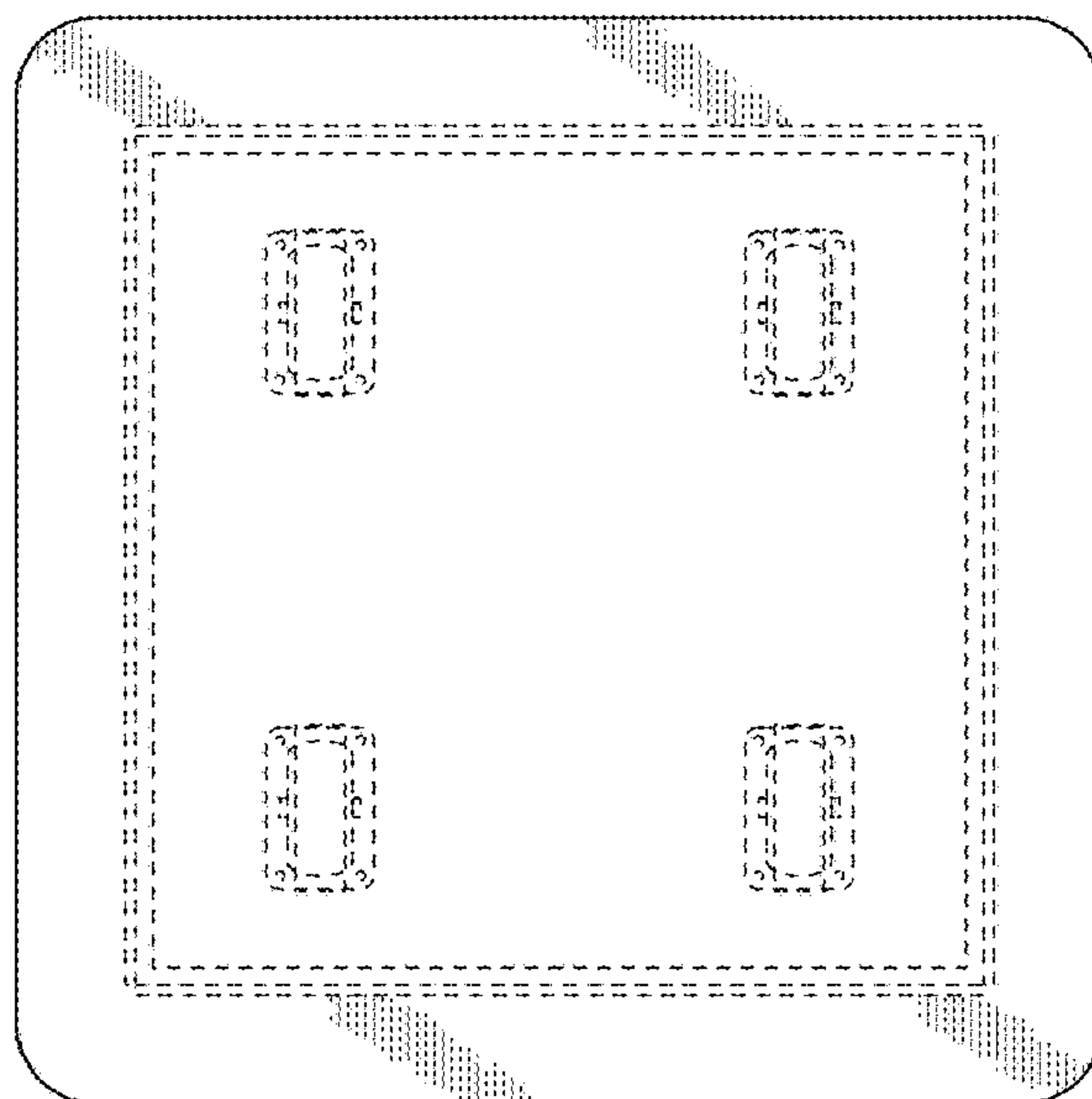


FIG. 7

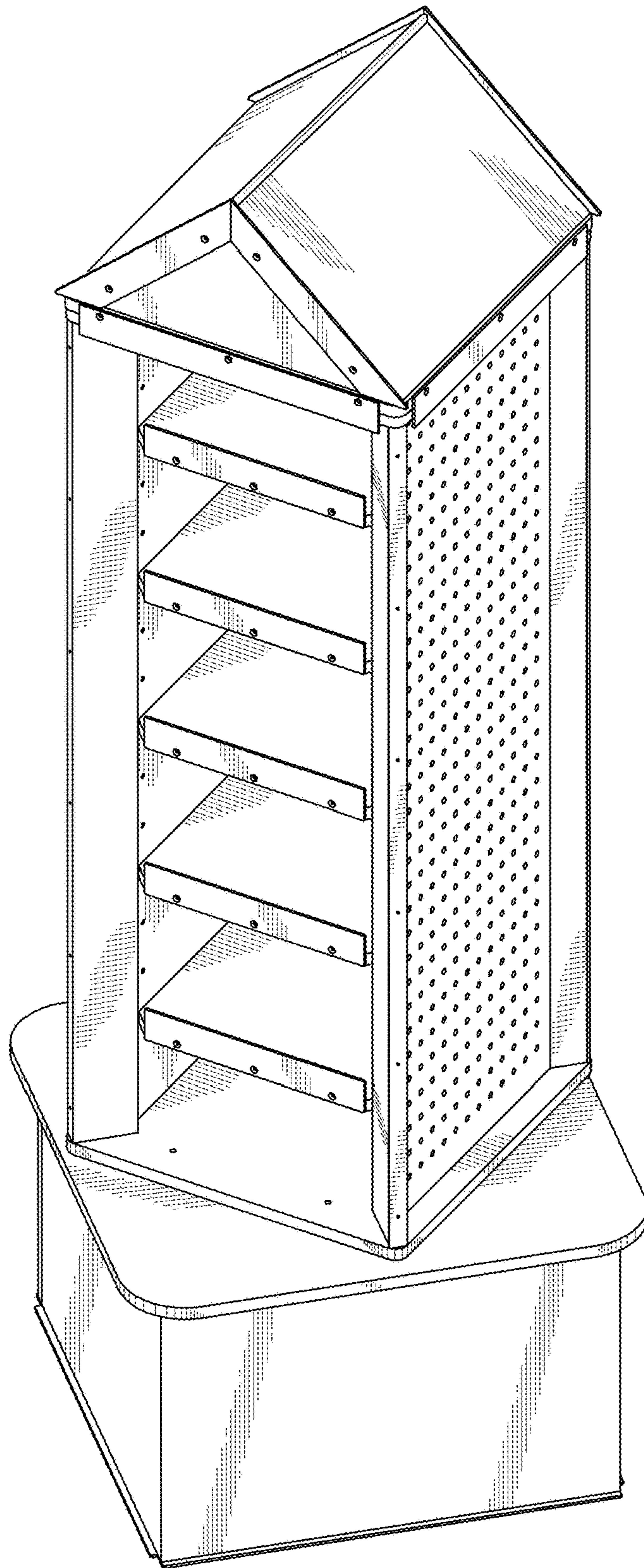


FIG. 8

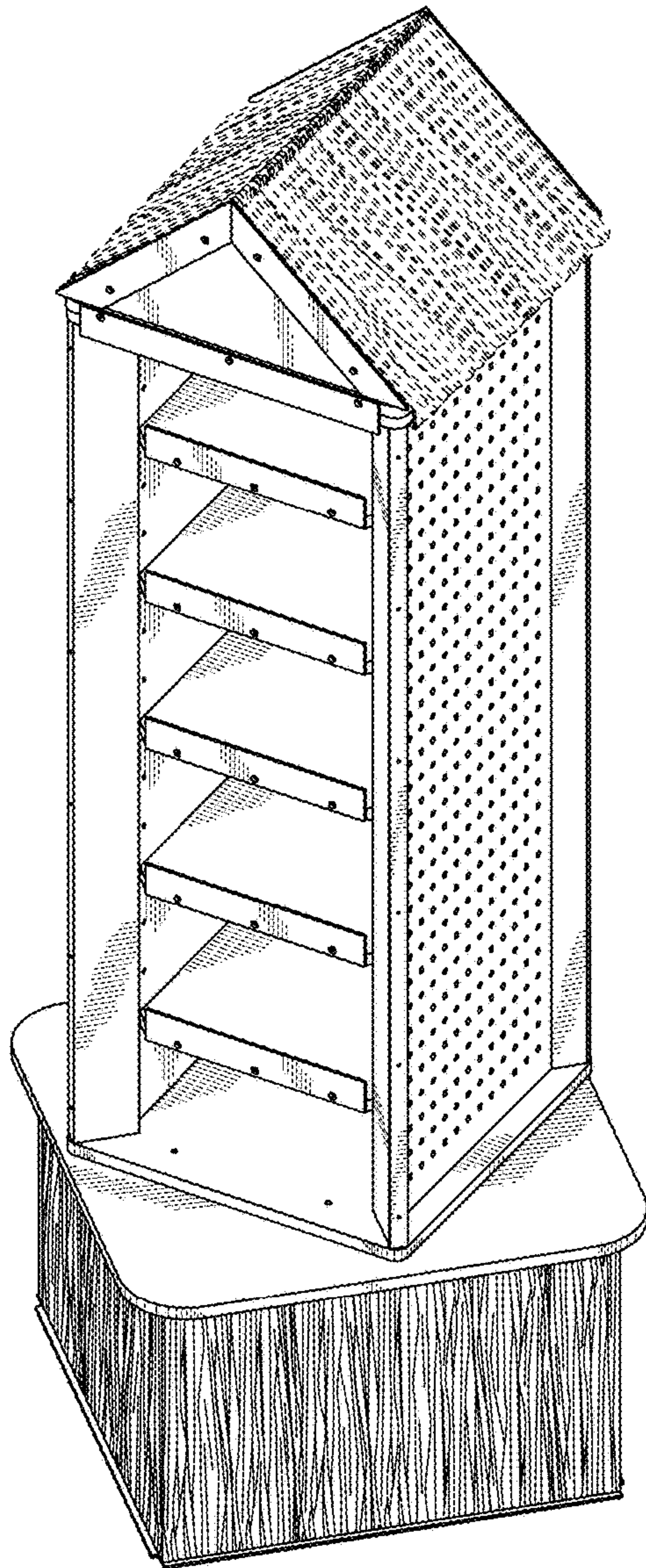


FIG. 9

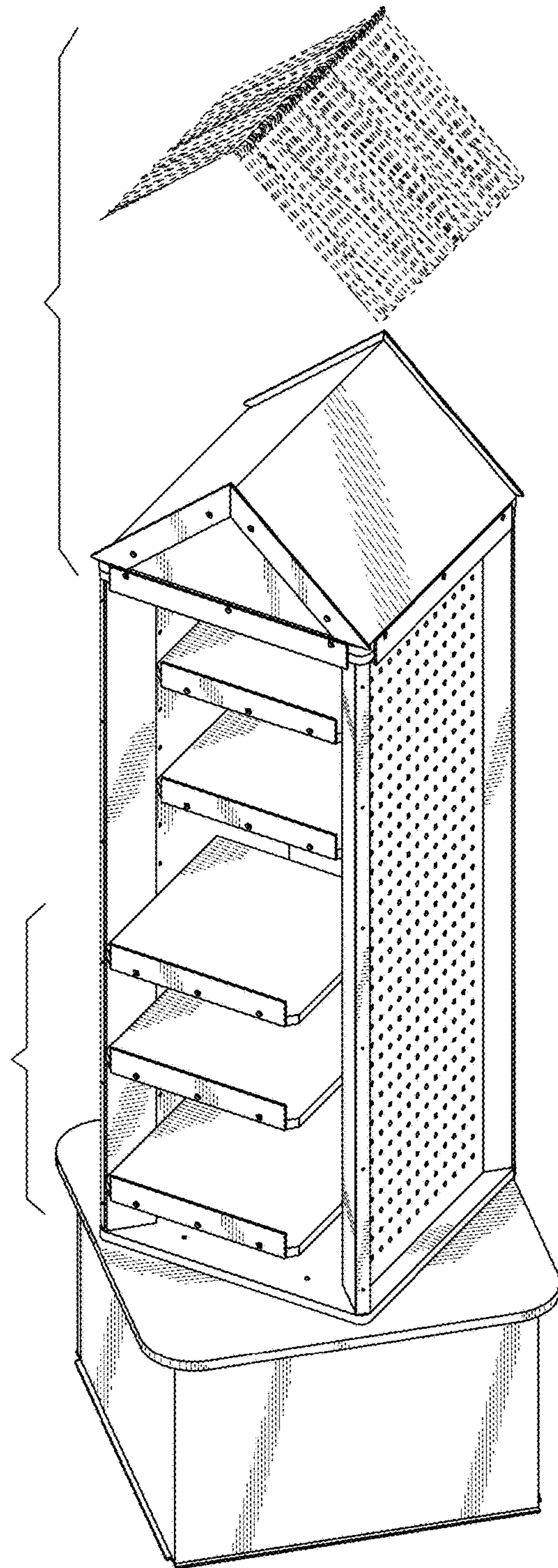


FIG. 10