



US00D857426S

(12) **United States Design Patent**
Chen

(10) **Patent No.:** **US D857,426 S**

(45) **Date of Patent:** **** Aug. 27, 2019**

- (54) **VANITY CABINET**
- (71) Applicant: **Cambium Business Group, Inc.**,
Buena Park, CA (US)
- (72) Inventor: **Yanxin Chen**, Buena Park, CA (US)
- (73) Assignee: **Cambium Business Group, Inc.**,
Buena Park, CA (US)
- (**) Term: **15 Years**
- (21) Appl. No.: **29/621,022**
- (22) Filed: **Oct. 3, 2017**
- (51) **LOC (12) Cl.** **06-06**
- (52) **U.S. Cl.**
USPC **D6/663**
- (58) **Field of Classification Search**
USPC D6/407, 657, 661, 663, 664, 664.1,
D6/668.2, 671, 671.1, 671.4, 675, 675.1,
D6/675.5, 683.1, 691.1, 691.8, 691.9,
D6/702, 703; D14/168, 184; D15/85;
D8/310
CPC ... A47B 47/024; A47B 87/008; A47B 87/002;
A47B 88/48; A47B 88/90; A47B
2210/19; A47B 47/04; A47B 67/04; A47B
87/00; A47B 88/00; A47B 88/75; A47F
3/0413; A47F 5/116; A47F 5/0018; A47F
9/00; A47F 7/02; Y10T 428/24694; F25D
21/14; F25D 23/069; F25D 2400/10;
E05B 65/463
See application file for complete search history.

(56) **References Cited**

U.S. PATENT DOCUMENTS

- 650,699 A * 5/1900 Williams A47B 47/04
312/264
- 681,155 A * 8/1901 Tobey A47B 47/04
292/26

- 2,414,095 A * 1/1947 Dewey A47B 88/483
312/204
- 2,441,678 A * 5/1948 Tietje A47B 88/463
312/273
- D199,923 S * 12/1964 Schlage D8/310
- D200,002 S * 1/1965 Kendrick D8/310
- 3,647,271 A * 3/1972 Allred A47B 88/57
312/334.39
- 3,653,734 A * 4/1972 Ungaro A47B 47/04
206/509
- 3,703,324 A * 11/1972 Smith A47B 46/005
217/60 R
- D231,170 S * 4/1974 Carter D6/671.1
- D245,561 S * 8/1977 Robinson D6/671.4
- D247,079 S * 1/1978 Otema D6/661
- 4,082,351 A * 4/1978 Chrones E05B 13/001
16/414

(Continued)

Primary Examiner — Kevin K Rudzinski
Assistant Examiner — Paul D Bohannon
 (74) *Attorney, Agent, or Firm* — Robert J. Lauson, Esq.;
 Lauson & Associates

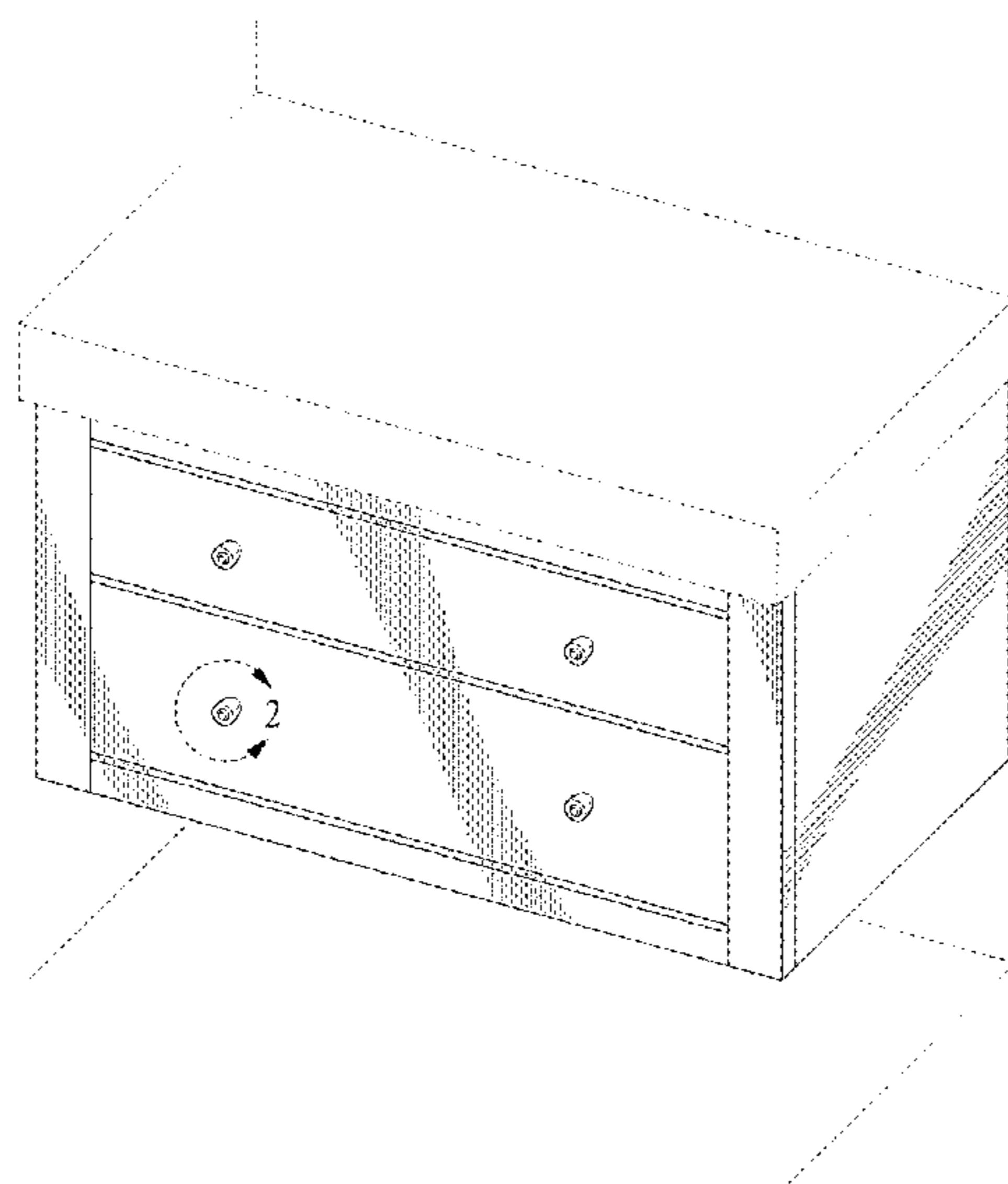
(57) **CLAIM**

I claim the ornamental design for a vanity cabinet, as shown and described.

DESCRIPTION

FIG. 1 is a perspective view of the vanity cabinet.
 FIG. 2 is a perspective view of a knob on the vanity cabinet.
 FIG. 3 is a front view of the vanity cabinet; and,
 FIG. 4 is a left side elevation view of the vanity cabinet with the right side elevation view being a mirror image thereof. The broken lines shown are for the purpose of illustrating the environment related to the claimed design and forms no part of the claimed design.
 The bottom and rear of the vanity cabinet form no part of the design.

1 Claim, 2 Drawing Sheets



(56)

References Cited

U.S. PATENT DOCUMENTS

5,671,985 A *	9/1997	Grieser	E05B 65/463				
				312/217				
D401,081 S *	11/1998	Zaidman	D6/671.1				
D416,720 S *	11/1999	Draheim	D6/705.5				
D417,347 S *	12/1999	Draheim	D6/671.1				
D424,832 S *	5/2000	Lacroix	D6/671.1				
D440,074 S *	4/2001	Hutton	D6/671.1				
D443,439 S *	6/2001	de Blois	D6/671.1				
D480,893 S *	10/2003	Berry	D6/668.2				
D482,902 S *	12/2003	Restemayer	D6/669				
D488,328 S *	4/2004	Stanton	D6/671.1				
D492,518 S *	7/2004	Lenger	D6/708				
D502,025 S *	2/2005	McDaniel	D6/671.1				
D504,251 S *	4/2005	Kreiss	D6/671.1				
D509,377 S *	9/2005	Katz	D6/668.2				
D513,371 S *	1/2006	Juneau	D6/671.1				
D518,353 S *	4/2006	Van Handel	D8/300				
D528,824 S *	9/2006	Grosfillex	D6/671				
D533,731 S *	12/2006	Boerner	D6/657				
D534,009 S *	12/2006	Juneau	D6/657				
D538,550 S *	3/2007	Canin	D6/671				
D564,790 S *	3/2008	Draheim	D6/671.1				
D569,127 S *	5/2008	Kanthasamy	D6/657				
D577,930 S *	10/2008	Thompson	D6/667				
D597,816 S *	8/2009	Thompson	D8/300				
D601,402 S *	10/2009	Jackson	D8/310				
D604,959 S *	12/2009	Good	D6/657				
D609,496 S *	2/2010	Kanthasamy	D6/671.1				
D628,406 S *	12/2010	Wahl	D6/657				
D654,721 S *	2/2012	Sexton	D6/671.1				
8,506,109 B2 *	8/2013	Stukenberg	A47F 7/02				
				362/132				
D720,163 S *	12/2014	Burden	D6/671.1				
D722,788 S *	2/2015	Everson	D6/657				
D722,792 S *	2/2015	Everson	D6/671.1				
8,967,743 B2 *	3/2015	Bernett	A47B 17/00				
				312/265.6				
D784,736 S *	4/2017	Chen	D6/671.1				
D790,883 S *	7/2017	Schönherr	D6/663				
D790,890 S *	7/2017	Everson	D6/671.1				
D804,863 S *	12/2017	Chen	D6/671				

* cited by examiner

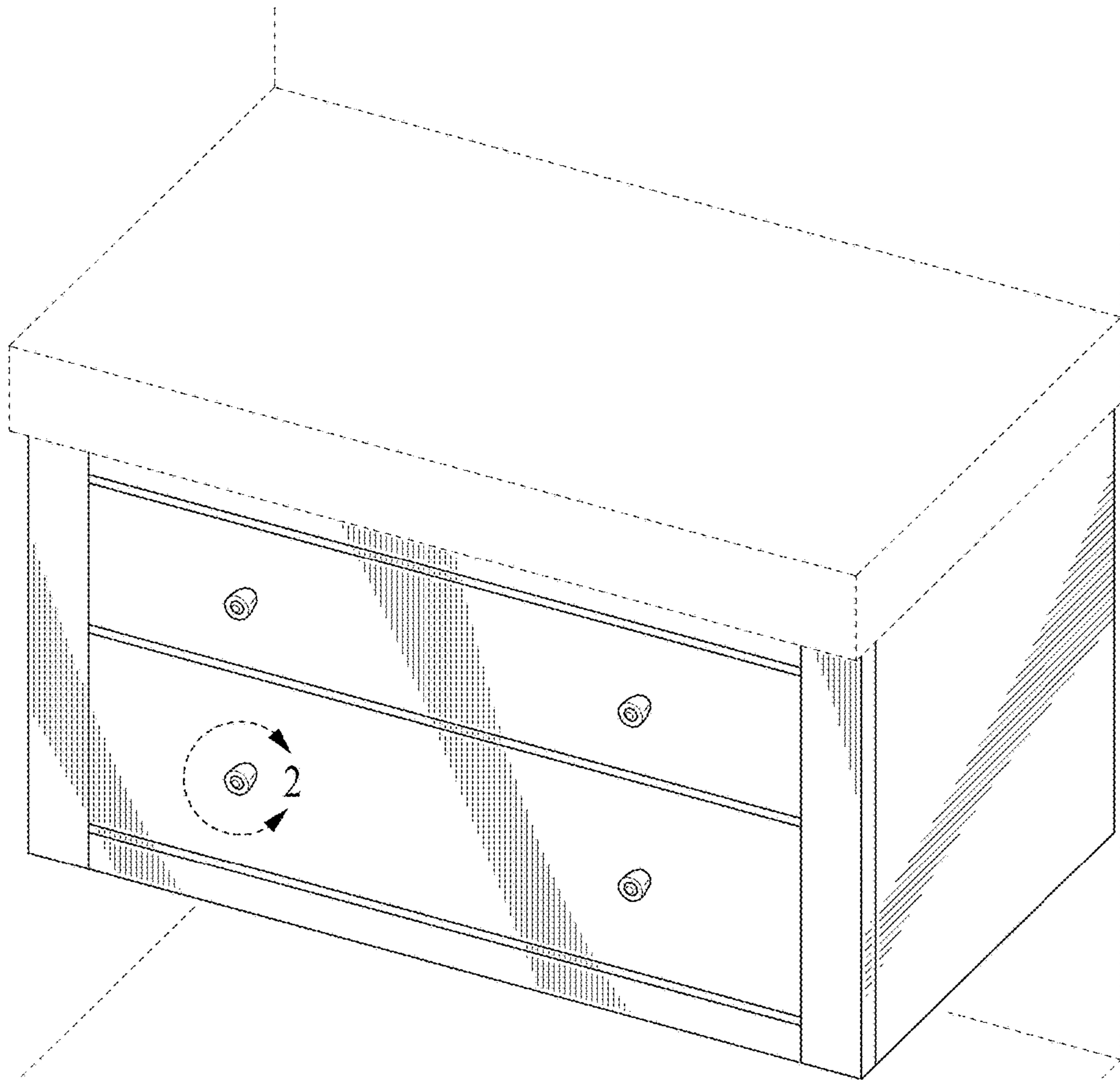


FIG. 1

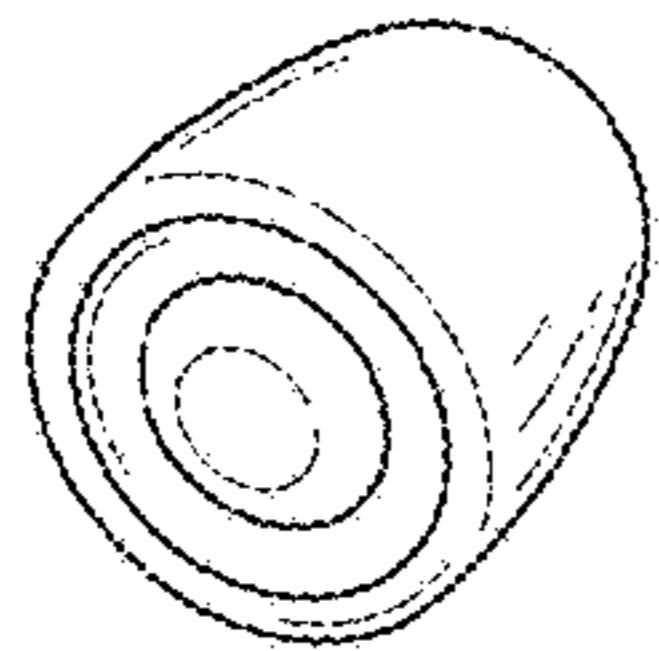


FIG. 2

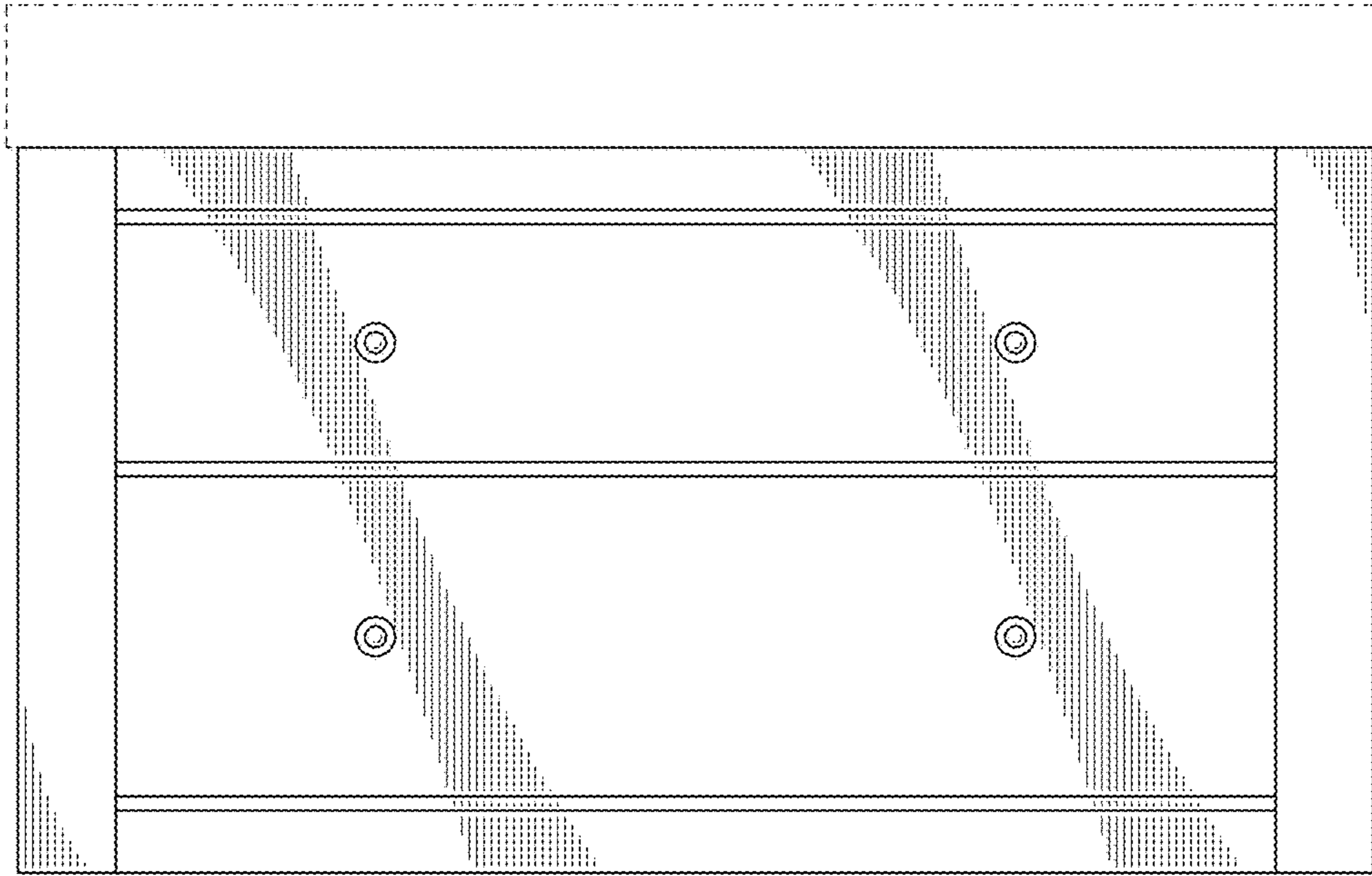


FIG. 3

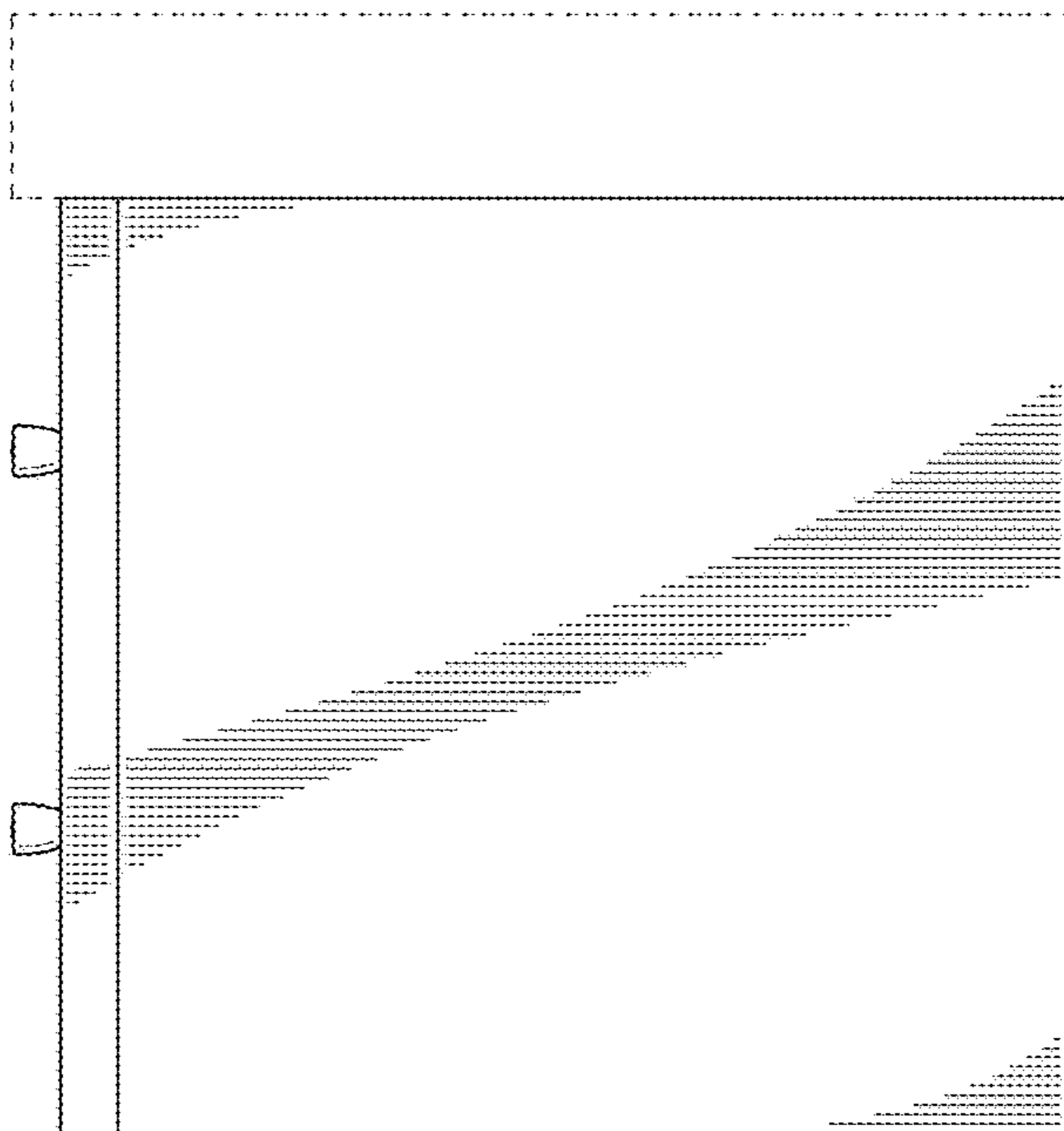


FIG. 4