



US00D857425S

(12) **United States Design Patent** (10) **Patent No.:** **US D857,425 S**  
**Crutcher et al.** (45) **Date of Patent:** **\*\* Aug. 27, 2019**

(54) **KITCHEN GARDEN SINGLE-CABINET**

(71) Applicant: **Carter-Hoffmann LLC**, Mundelein, IL (US)

(72) Inventors: **Michael Clay Crutcher**, Mundelein, IL (US); **Richard Paddock**, Mundelein, IL (US)

(73) Assignee: **Carter-Hoffman LLC**, Mundelein, IL (US)

(\*\*) Term: **15 Years**

(21) Appl. No.: **29/648,003**

(22) Filed: **May 17, 2018**

(51) **LOC (12) Cl.** ..... **06-04**

(52) **U.S. Cl.**  
USPC ..... **D6/661**

(58) **Field of Classification Search**  
USPC ..... D6/657, 659, 661, 663, 669, 671, 671.1, D6/683.1, 672, 673, 675; D15/81, 85, D15/88; D7/601

CPC ..... A47B 31/00; A47B 46/00; A47B 47/00; A47B 47/022; A47B 47/05; A47B 55/00; A47B 71/00; A47B 67/00; A47B 67/02; A47B 67/04; A47B 73/00; A47B 81/00; A47F 3/00; A47F 3/001; A47F 3/005; A47F 3/0434; A47F 5/08; A47F 7/0078

See application file for complete search history.

(56) **References Cited**

**U.S. PATENT DOCUMENTS**

|             |         |               |
|-------------|---------|---------------|
| D186,448 S  | 10/1959 | Powell et al. |
| 3,106,801 A | 10/1963 | Risacher      |
| D243,985 S  | 4/1977  | Brown         |
| 4,244,145 A | 1/1981  | Polacsek      |
| 4,291,494 A | 9/1981  | Knablein      |
| D265,316 S  | 7/1982  | Trulaske      |
| D273,298 S  | 4/1984  | Trulaske      |
| 4,543,744 A | 10/1985 | Royster       |

|              |         |                |       |        |
|--------------|---------|----------------|-------|--------|
| D327,591 S * | 7/1992  | Gogan          | ..... | D6/661 |
| 5,251,399 A  | 10/1993 | Rasmussen      |       |        |
| 5,283,974 A  | 2/1994  | Graf, Jr.      |       |        |
| 5,295,593 A  | 3/1994  | Strum          |       |        |
| 5,430,972 A  | 7/1995  | Wianecki       |       |        |
| D364,053 S   | 11/1995 | Hayashi et al. |       |        |
| D365,110 S   | 12/1995 | Klein, III     |       |        |
| D366,587 S   | 1/1996  | Underdahl      |       |        |
| 5,555,676 A  | 9/1996  | Lund           |       |        |

(Continued)

**OTHER PUBLICATIONS**

A Best Kitchen. [https://www.akitchen.com/store/carter-hoffmann-gc42.html?gclid=EAlalQobChMI34P86\\_Xf4QIVz8DICH2sRA23EAQYCCABEGKNMvD\\_BwE](https://www.akitchen.com/store/carter-hoffmann-gc42.html?gclid=EAlalQobChMI34P86_Xf4QIVz8DICH2sRA23EAQYCCABEGKNMvD_BwE). "Carter-Hoffmann Gardenchef Herb & Microgreen Growing Cabinet Automated Growing System for Chefs—GC42". Date Unknown: Viewed Apr. 2019 (Year: 2019).\*

(Continued)

*Primary Examiner* — R. Johnson

(74) *Attorney, Agent, or Firm* — Brinks Gilson & Lione

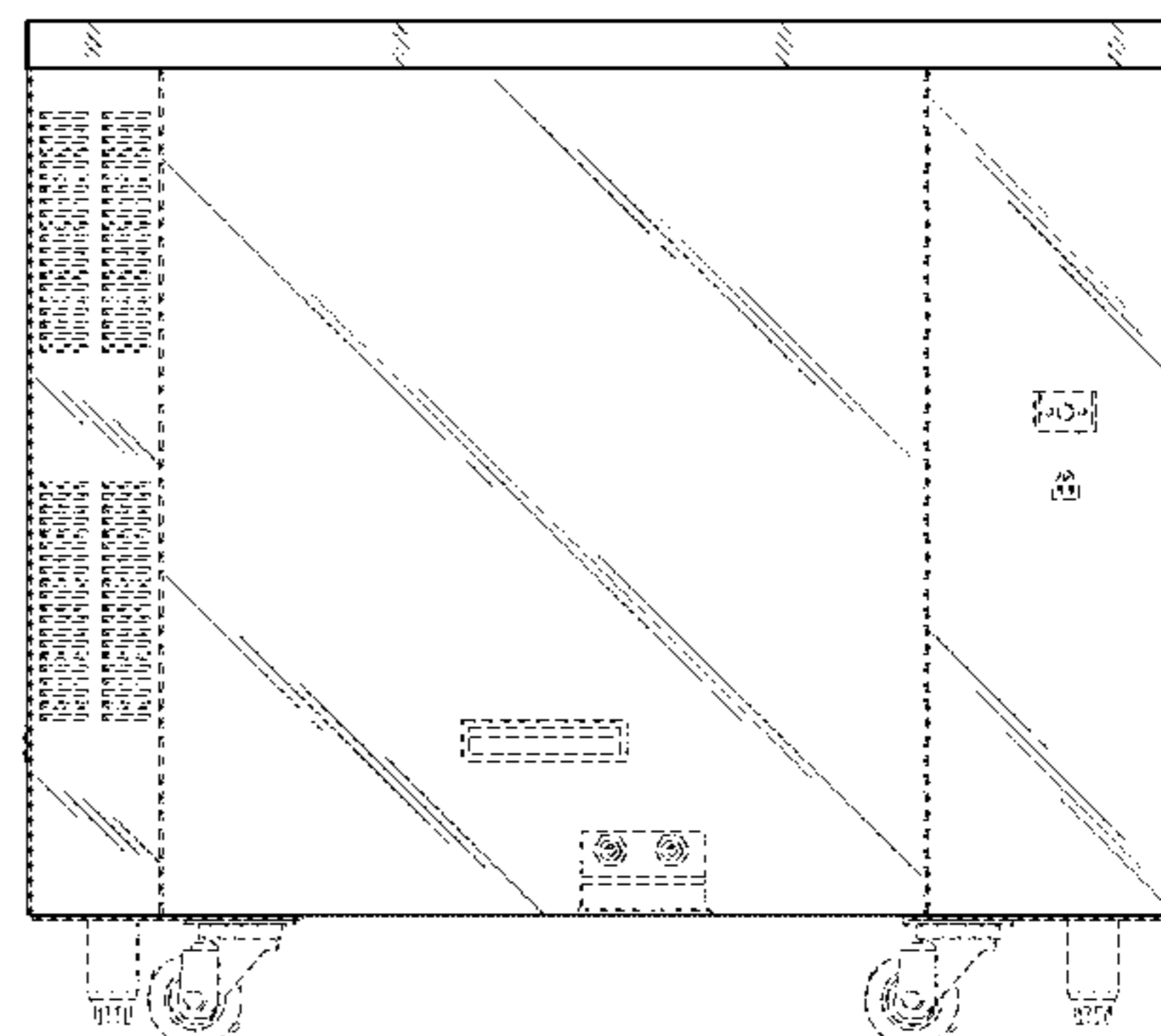
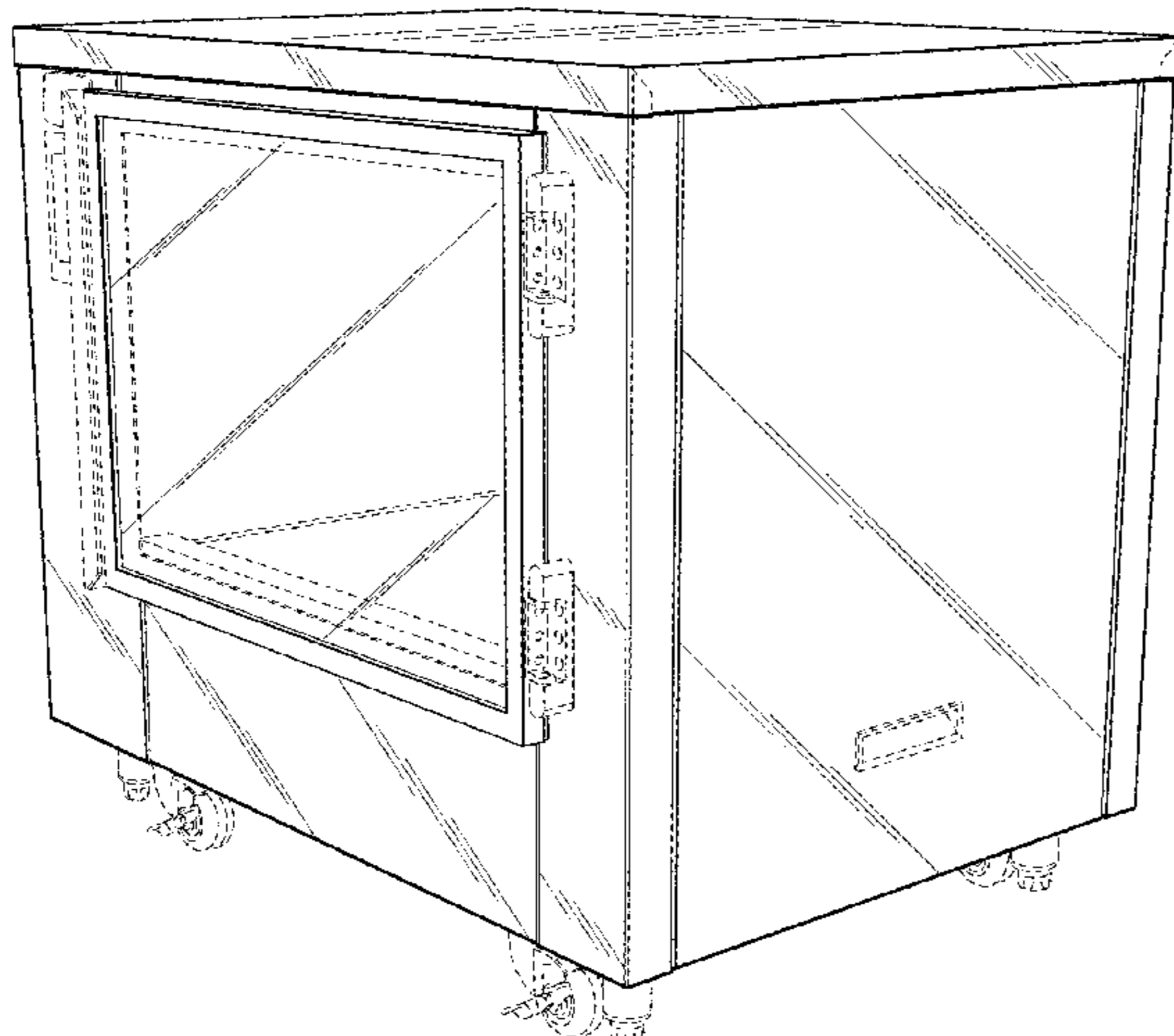
(57) **CLAIM**

We claim the ornamental design for a kitchen garden single-cabinet, as shown and described.

**DESCRIPTION**

FIG. 1 is a top-right perspective view of a new design for a kitchen garden single-cabinet;  
FIG. 2 is a front elevation view thereof;  
FIG. 3 is a right side elevation view thereof;  
FIG. 4 is a left side elevation view thereof;  
FIG. 5 is a top plan view thereof;  
FIG. 6 is a rear elevation view thereof;  
FIG. 7 a bottom plan view thereof; and,  
FIG. 8 is a bottom-left perspective view thereof.  
Broken lines in the drawings are for the purpose of illustrating portions of the article that form no part of the presently-claimed design.

**1 Claim, 5 Drawing Sheets**



(56)

References Cited

U.S. PATENT DOCUMENTS

D377,800 S 2/1997 Branz et al.  
 D402,138 S \* 12/1998 Trulaske, Sr. .... D6/661  
 D410,230 S \* 5/1999 Witte ..... D14/371  
 D416,713 S 11/1999 Trulaske, Sr.  
 D420,368 S 2/2000 Bardin et al.  
 6,233,870 B1 5/2001 Horibata  
 D449,843 S 10/2001 Kim  
 D453,169 S \* 1/2002 Ma ..... D15/81  
 D461,972 S \* 8/2002 Everett ..... D6/663  
 6,536,157 B2 3/2003 Wijbenga  
 6,725,598 B2 4/2004 Yoneda et al.  
 6,748,696 B1 6/2004 Davidson  
 D512,081 S \* 11/2005 Chang ..... D15/81  
 D524,830 S 7/2006 Lei et al.  
 D539,312 S \* 3/2007 Kim ..... D15/81  
 D550,256 S 9/2007 Lei et al.  
 7,516,574 B2 4/2009 Gottlieb  
 7,617,057 B2 11/2009 May et al.  
 D627,374 S \* 11/2010 Yang ..... D15/81  
 D627,375 S 11/2010 Yang  
 7,823,324 B2 11/2010 Townsley  
 D630,231 S \* 1/2011 Yang ..... D15/81  
 7,975,428 B2 7/2011 Townsley  
 7,987,632 B2 8/2011 May et al.  
 D659,724 S 5/2012 Wolfe  
 D659,725 S 5/2012 Wolfe  
 8,166,700 B2 5/2012 Townsley  
 8,181,387 B2 5/2012 Loebl et al.  
 8,234,812 B1 8/2012 Colless et al.  
 8,261,486 B2 9/2012 Bissonnette et al.  
 8,327,580 B2 12/2012 Miyahara  
 D675,846 S 2/2013 Monaldi et al.  
 8,438,779 B2 5/2013 Townsley  
 8,443,546 B1 5/2013 Darin  
 8,468,741 B2 6/2013 Lewis  
 8,505,238 B2 8/2013 Luebbbers  
 8,910,419 B1 12/2014 Oberst  
 9,101,096 B1 8/2015 Lewis  
 D743,452 S 11/2015 Zubieta  
 9,243,789 B1 1/2016 Chow  
 9,265,205 B2 2/2016 Cheng et al.  
 D755,259 S 5/2016 Rautavuori  
 D757,127 S 5/2016 Rautavuori  
 9,345,201 B2 5/2016 Sakura et al.  
 9,357,715 B2 6/2016 Cottrell  
 9,357,718 B1 6/2016 Lehman  
 D788,185 S 5/2017 Wolfe et al.  
 D826,291 S \* 8/2018 Lim ..... D15/81  
 D829,024 S \* 9/2018 Mejia ..... D6/661  
 D829,471 S \* 10/2018 Fortmann ..... D6/661  
 2002/0184820 A1 12/2002 Mauney

2005/0246954 A1 11/2005 Bissonnette et al.  
 2005/0246955 A1 11/2005 Bissonnette et al.  
 2005/0257424 A1 11/2005 Bissonnette et al.  
 2006/0179711 A1 8/2006 Bissonnette et al.  
 2006/0254138 A1 11/2006 Bissonnette et al.  
 2006/0272210 A1 12/2006 Bissonnette et al.  
 2007/0271841 A1 11/2007 Bissonnette et al.  
 2008/0078118 A1 4/2008 Bissonnette et al.  
 2008/0155894 A1 7/2008 Bissonnette et al.  
 2008/0222949 A1 9/2008 Bissonnette et al.  
 2008/0276534 A1 11/2008 Bissonnette et al.  
 2008/0282610 A1 11/2008 Bissonnette et al.  
 2009/0025287 A1 1/2009 Yu  
 2010/0088953 A1 4/2010 Oosterling  
 2010/0275512 A1 11/2010 Nien  
 2011/0219683 A1 9/2011 Sutton  
 2011/0252705 A1 10/2011 Van Gemert et al.  
 2012/0042568 A1 2/2012 Gary  
 2012/0167460 A1 7/2012 Julian  
 2013/0063326 A1 3/2013 Riegel  
 2014/0026474 A1 1/2014 Kulas  
 2014/0053463 A1 2/2014 Abdessamad  
 2014/0070685 A1 \* 3/2014 Yantis ..... F24C 15/02  
 312/319.2  
 2014/0144078 A1 5/2014 Daegan  
 2014/0208642 A1 7/2014 Henman  
 2014/0259920 A1 9/2014 Wilson  
 2015/0096225 A1 4/2015 Gervais  
 2015/0237810 A1 8/2015 Van Gemert et al.  
 2015/0305259 A1 10/2015 Galassi  
 2016/0007545 A1 1/2016 Yen  
 2016/0029574 A1 2/2016 He  
 2016/0109107 A1 4/2016 Grajcar  
 2016/0113222 A1 4/2016 Hori  
 2016/0128288 A1 5/2016 Pettinelli et al.  
 2016/0157439 A1 6/2016 Greene et al.  
 2016/0183477 A1 6/2016 Kao et al.

OTHER PUBLICATIONS

Hubert. [https://www.hubert.com/product/42064?CAWELAID=120051210000069880&CATARGETID=120051210000227116&cadevice=c&gclid=EAla1QobChM134P86\\_Xf4QIVz8DICH2sRA23EAQYAyABEgLjfd\\_BwE](https://www.hubert.com/product/42064?CAWELAID=120051210000069880&CATARGETID=120051210000227116&cadevice=c&gclid=EAla1QobChM134P86_Xf4QIVz8DICH2sRA23EAQYAyABEgLjfd_BwE). "Carter Hoffman 1 Door GardenChef™ Herb Growing Cabinet". Date Unknown: Apr. 2019 (Year: 2019).  
 The Image Fixer. <http://theimagefixer.com/editor/>. "Superbox CFL Grow Cabinet". Copyright 2016 (Year: 2016).  
 The Urban Cultivator Commercial User Manual, (undated), available online before the filing of the present application, 25 pgs.

\* cited by examiner

FIG. 1

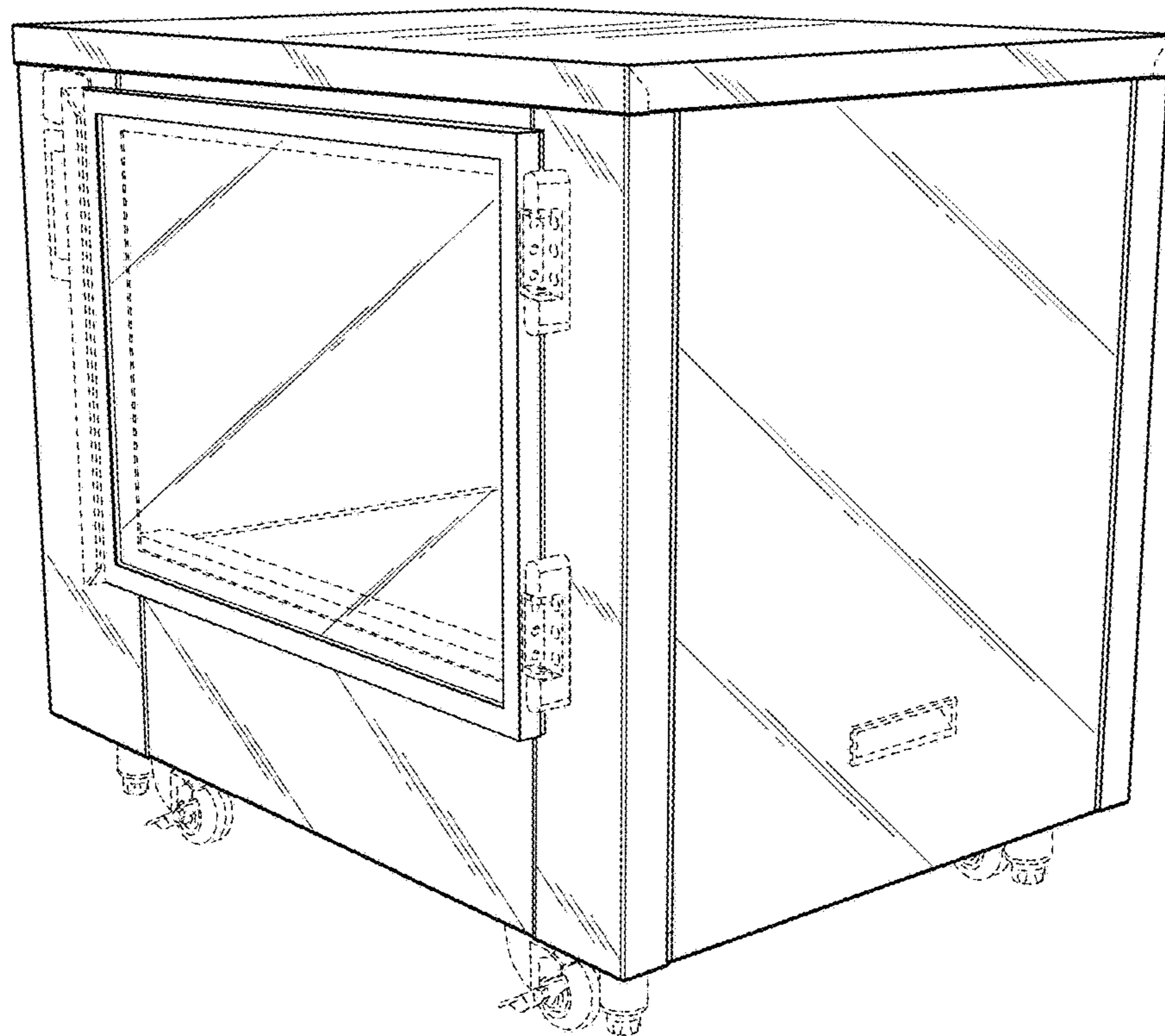


FIG. 2

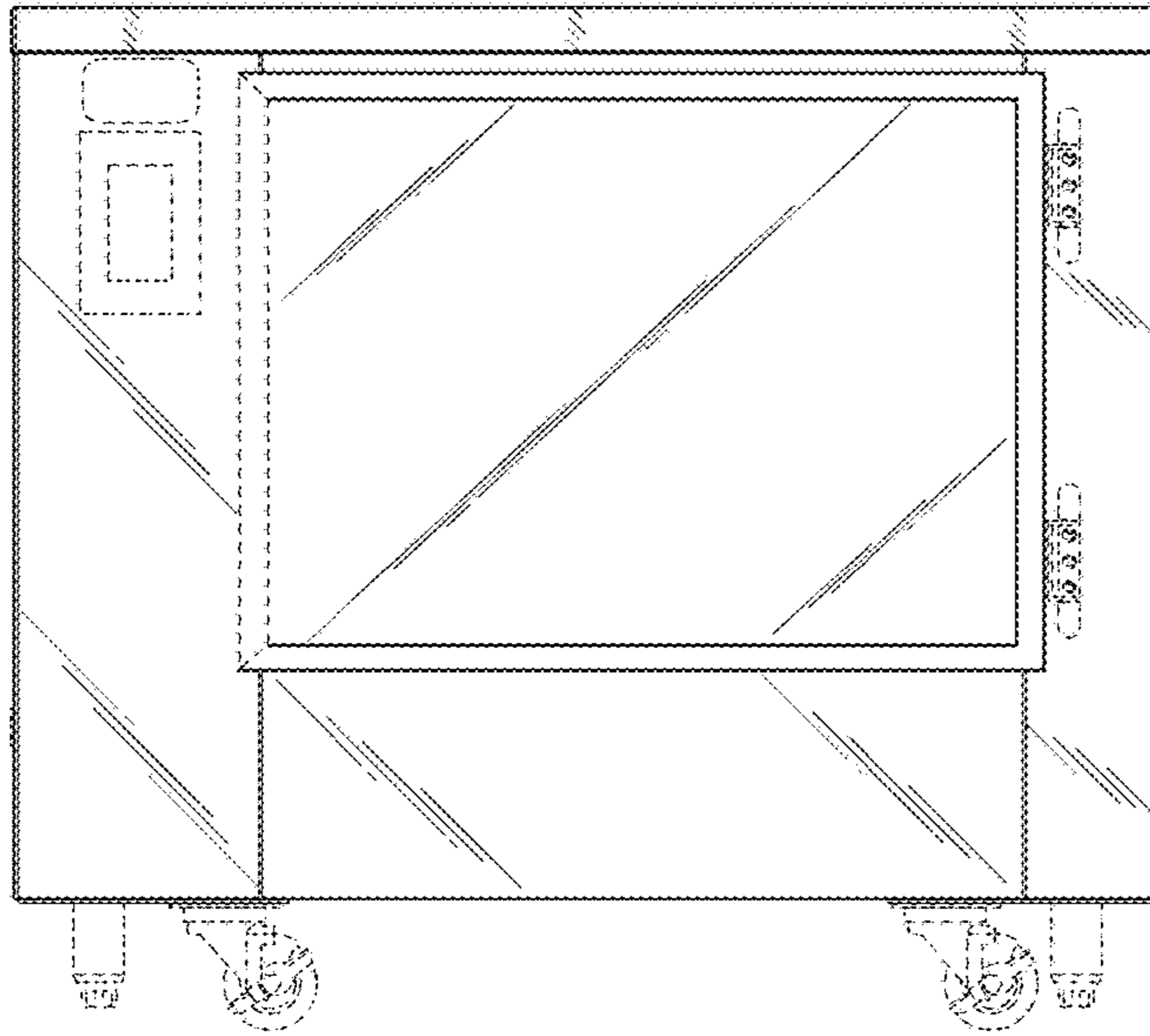


FIG. 3

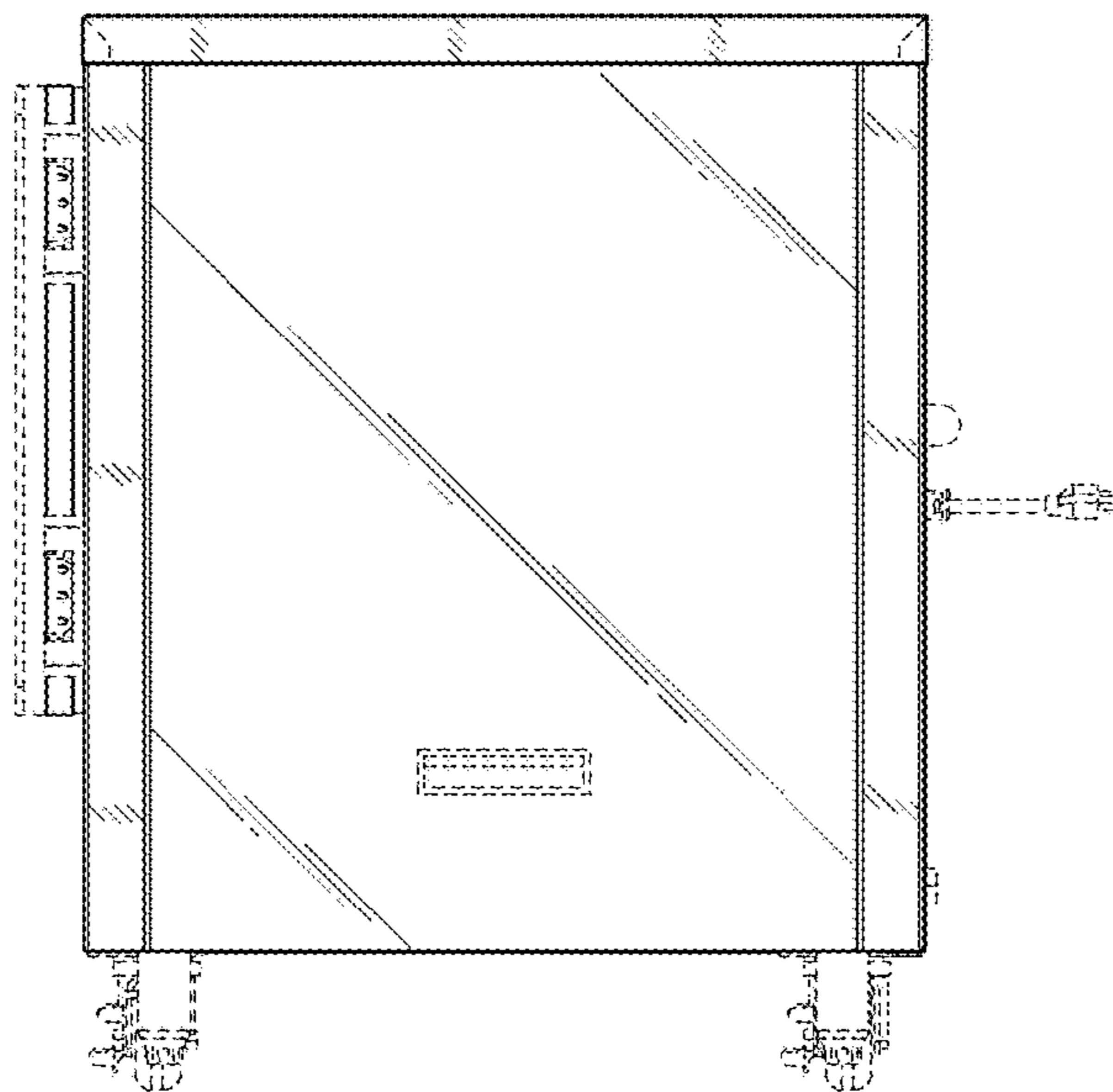


FIG. 4

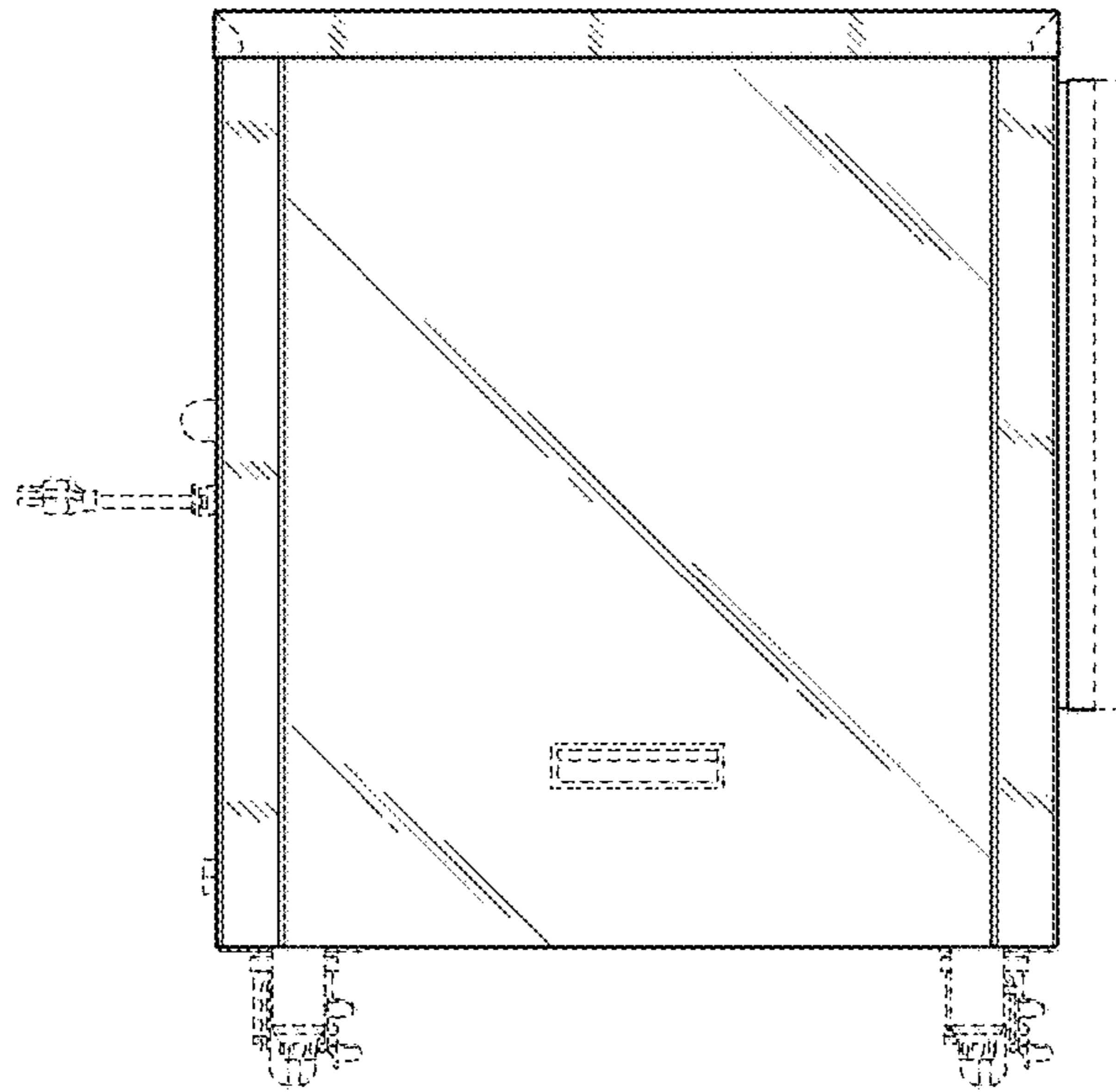


FIG. 5

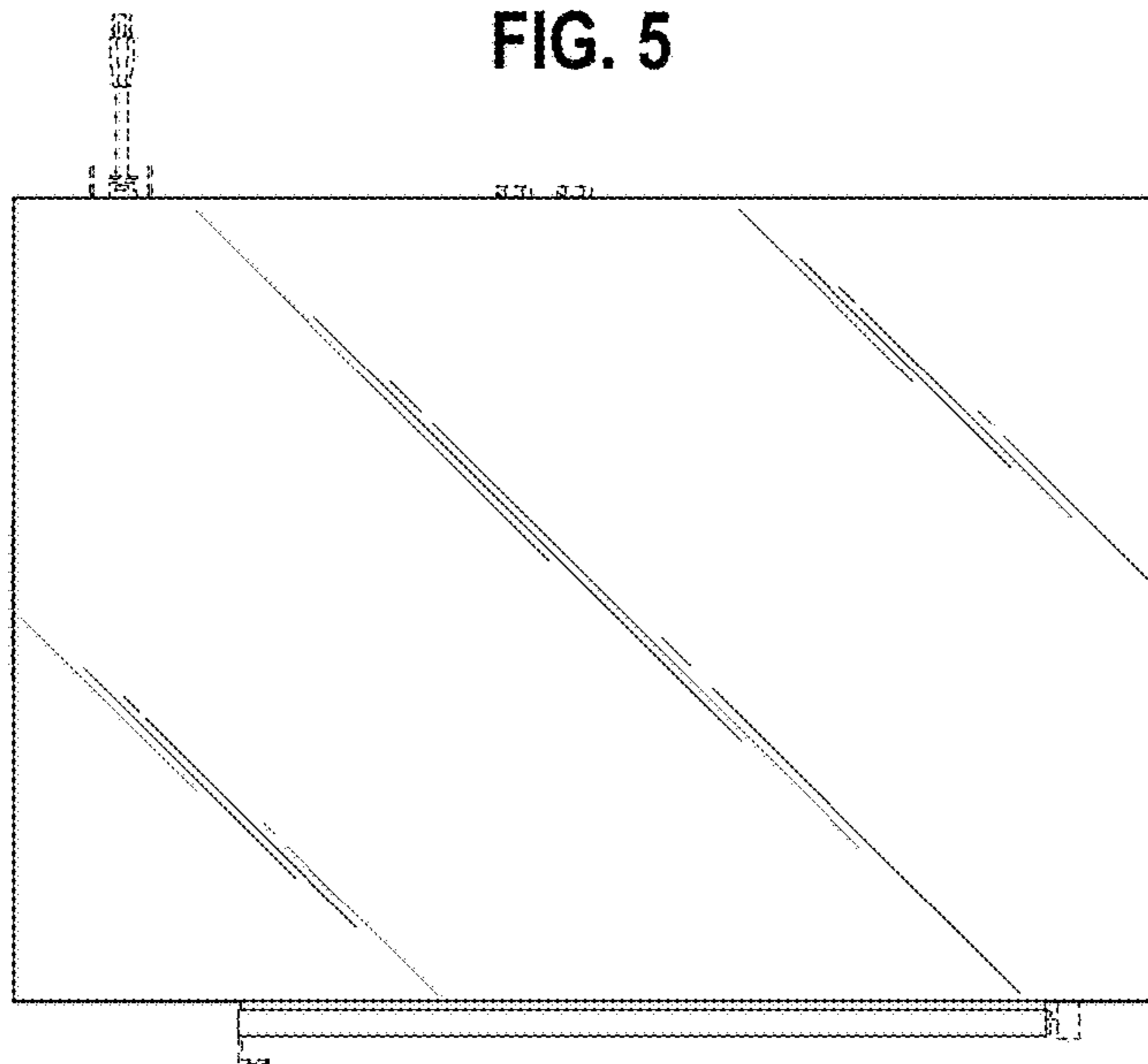


FIG. 6

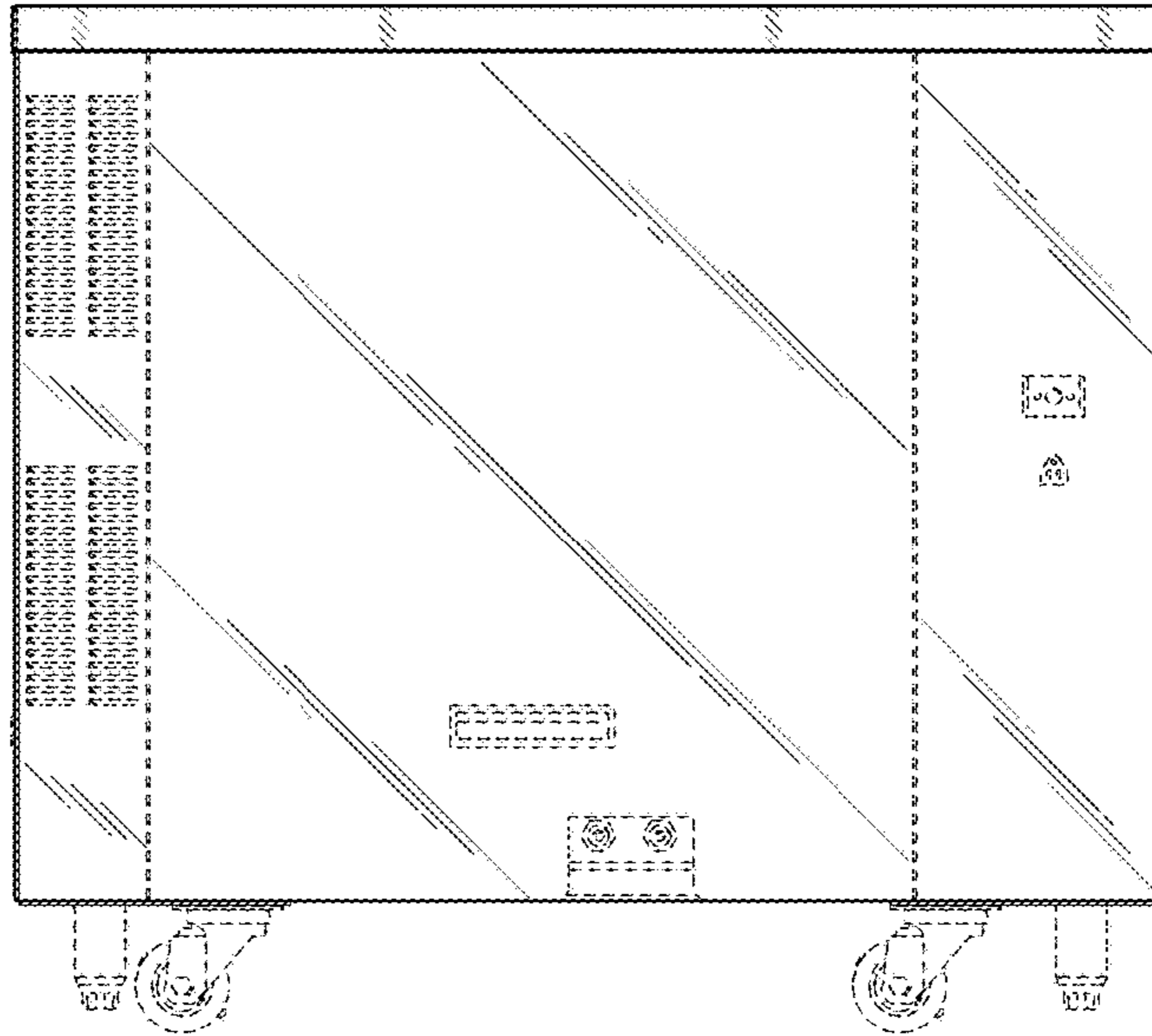


FIG. 7

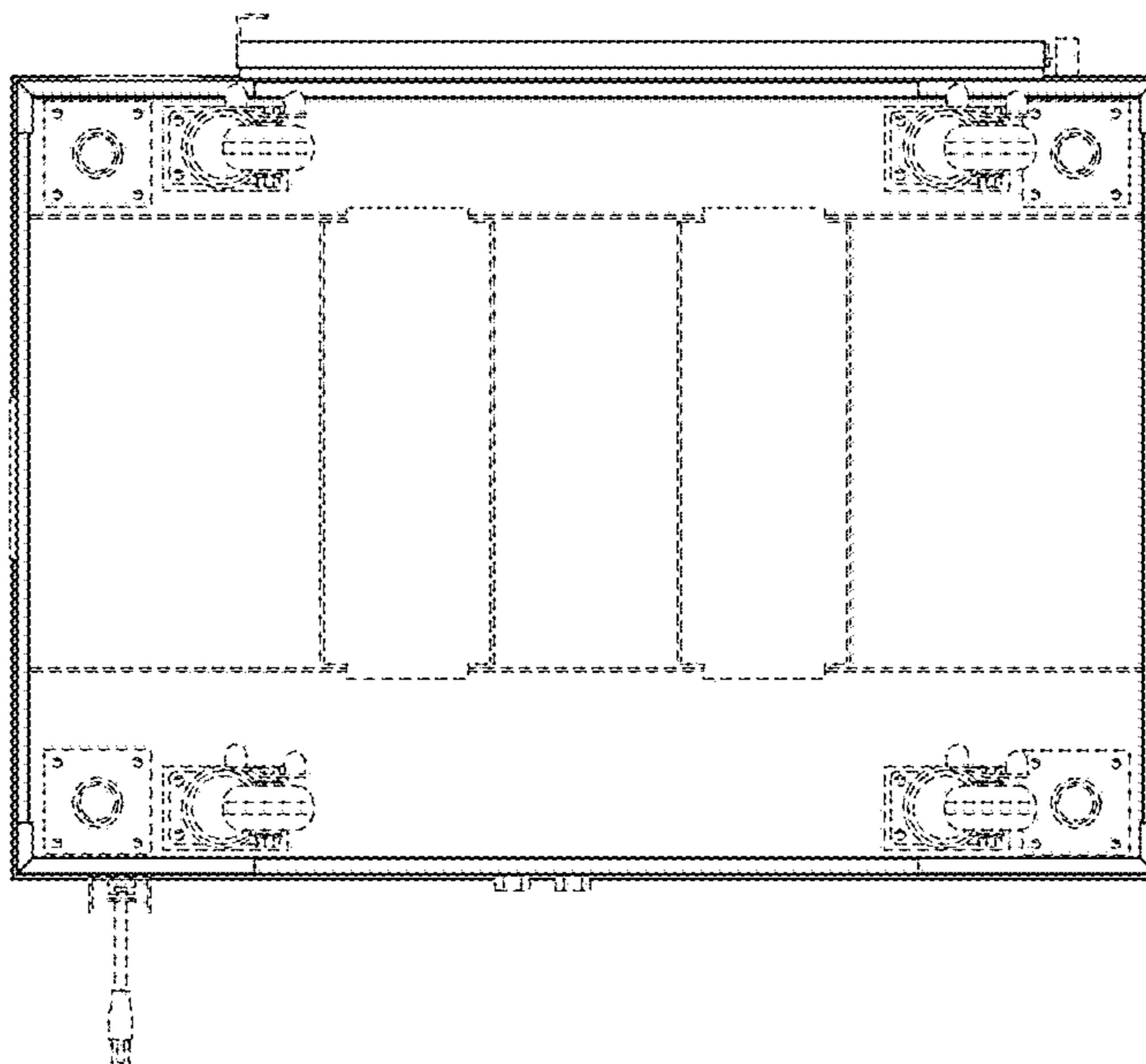


FIG. 8

