

US00D857424S

(12) **United States Design Patent** (10) **Patent No.:** **US D857,424 S**
Solterbeck (45) **Date of Patent:** **** Aug. 27, 2019**

(54) **BUFFET BASE WITH WALL UNIT**

(71) Applicant: **William D. Solterbeck**, Hampton, VA
(US)

(72) Inventor: **William D. Solterbeck**, Hampton, VA
(US)

(**) Term: **15 Years**

(21) Appl. No.: **29/620,976**

(22) Filed: **Sep. 21, 2017**

(51) **LOC (12) Cl.** **06-04**

(52) **U.S. Cl.**
USPC **D6/657**

(58) **Field of Classification Search**
USPC D6/657, 661, 662.1, 664, 665, 668.2,
D6/671.1, 702

CPC H05K 9/0062; E05C 19/001; A47B 55/02;
A47B 3/00; A47B 81/005; A47B 81/00;
A47B 81/06; A47B 67/02; A47B 77/02;
A47B 47/05; A47B 47/0066; A47B
87/005; A47B 87/0292; A47B 43/00;
A47G 1/12; B42F 17/00; G09F 1/12;
A47F 3/002; A47F 5/08; A45C 11/16

See application file for complete search history.

(56) **References Cited**

U.S. PATENT DOCUMENTS

D28,768 S *	5/1898	Murray	D6/662.1
D158,432 S *	5/1950	Bevelacqua	D6/662.1
D181,661 S *	12/1957	Lubberts et al.	D6/657
D232,140 S *	7/1974	Keller	D6/671.1
D232,141 S *	7/1974	Keller	D6/671.1
D233,578 S *	11/1974	Keller	D6/671.1
D235,042 S *	5/1975	Donner	D6/671.1
D241,210 S *	8/1976	Eisen	D6/671.1
D258,333 S *	2/1981	Brown	D6/665
D263,265 S *	3/1982	Henley, Jr.	D6/671.1
D295,702 S *	5/1988	Huffstetler	D6/661
D311,830 S *	11/1990	Huffstetler	D6/661

D334,305 S *	3/1993	Wheeless	D6/671.1
D351,074 S *	10/1994	Ferguson	D6/671.1
D428,280 S *	7/2000	Walters, III	D6/668.2
D450,475 S *	11/2001	Vaaler	D6/668.2
D453,882 S *	2/2002	Petri	D6/657
D459,615 S *	7/2002	Stanton	D6/668.2
D468,937 S *	1/2003	Berry, Jr.	D6/661
D490,626 S *	6/2004	Risdon	D6/668.2
D490,627 S *	6/2004	Cook	D6/664.1
D513,137 S *	12/2005	De Blaay	D6/657
D523,258 S *	6/2006	De Blaay	D6/671.1
D554,891 S *	11/2007	Thompson	D6/662.1
D560,409 S *	1/2008	Draheim	D6/675
D571,584 S *	6/2008	Thompson	D6/702

* cited by examiner

Primary Examiner — Kevin K Rudzinski

Assistant Examiner — Paul D Bohannon

(74) *Attorney, Agent, or Firm* — Jeffrey F. Riddle

(57) **CLAIM**

The ornamental design for a buffet base with wall unit, as shown and described.

DESCRIPTION

FIG. 1 is a front elevation of the buffet base with wall unit showing our new design;

FIG. 2 is a top plan view of the buffet base with wall unit in FIG. 1;

FIG. 3 is a left elevation view of the buffet base with wall unit in FIG. 1;

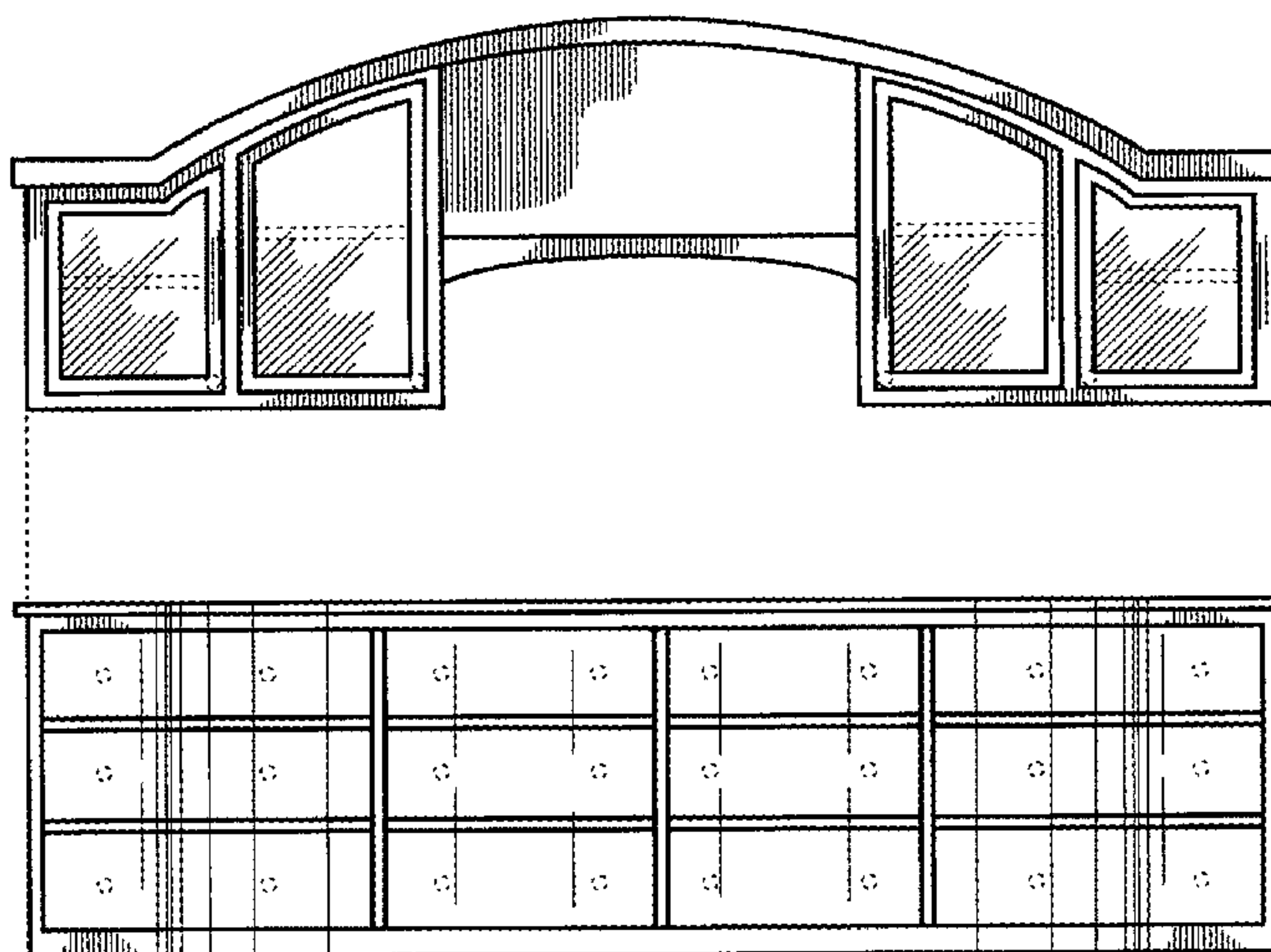
FIG. 4 is a right elevation view of the buffet base with wall unit in FIG. 1;

FIG. 5 is a bottom plan view of the buffet base with wall unit in FIG. 1; and,

FIG. 6 is a back elevation view of the buffet base with wall unit in FIG. 1.

The dash-dash broken lines shown in the drawings represent portions of the article and form no part of the claimed design.

1 Claim, 3 Drawing Sheets



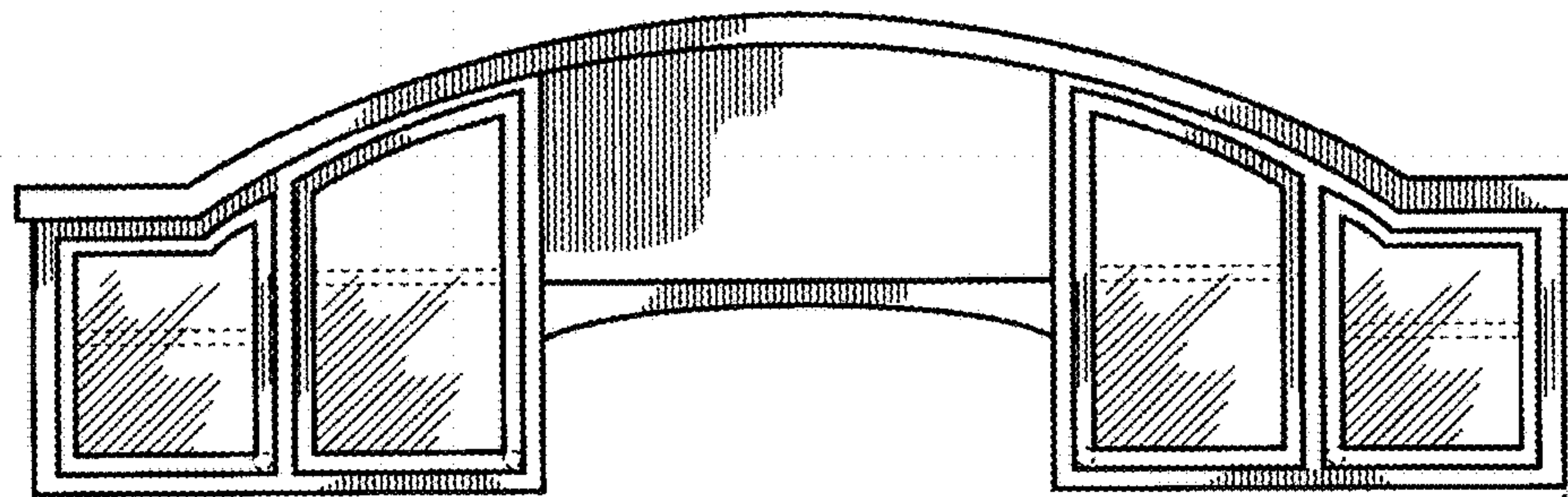


FIG. 1

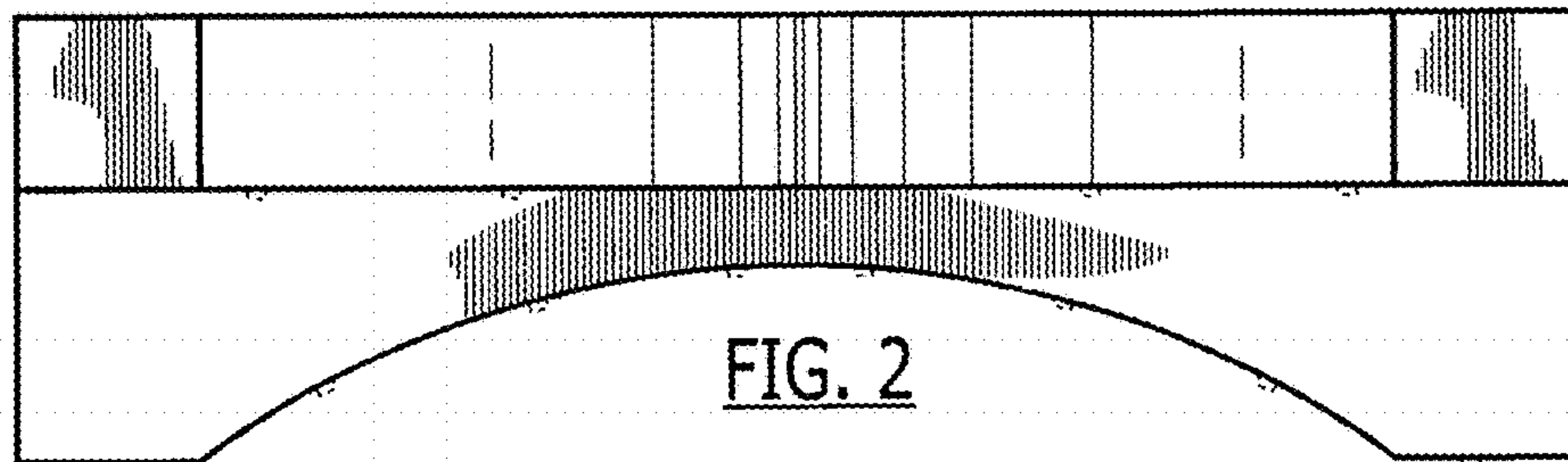


FIG. 2

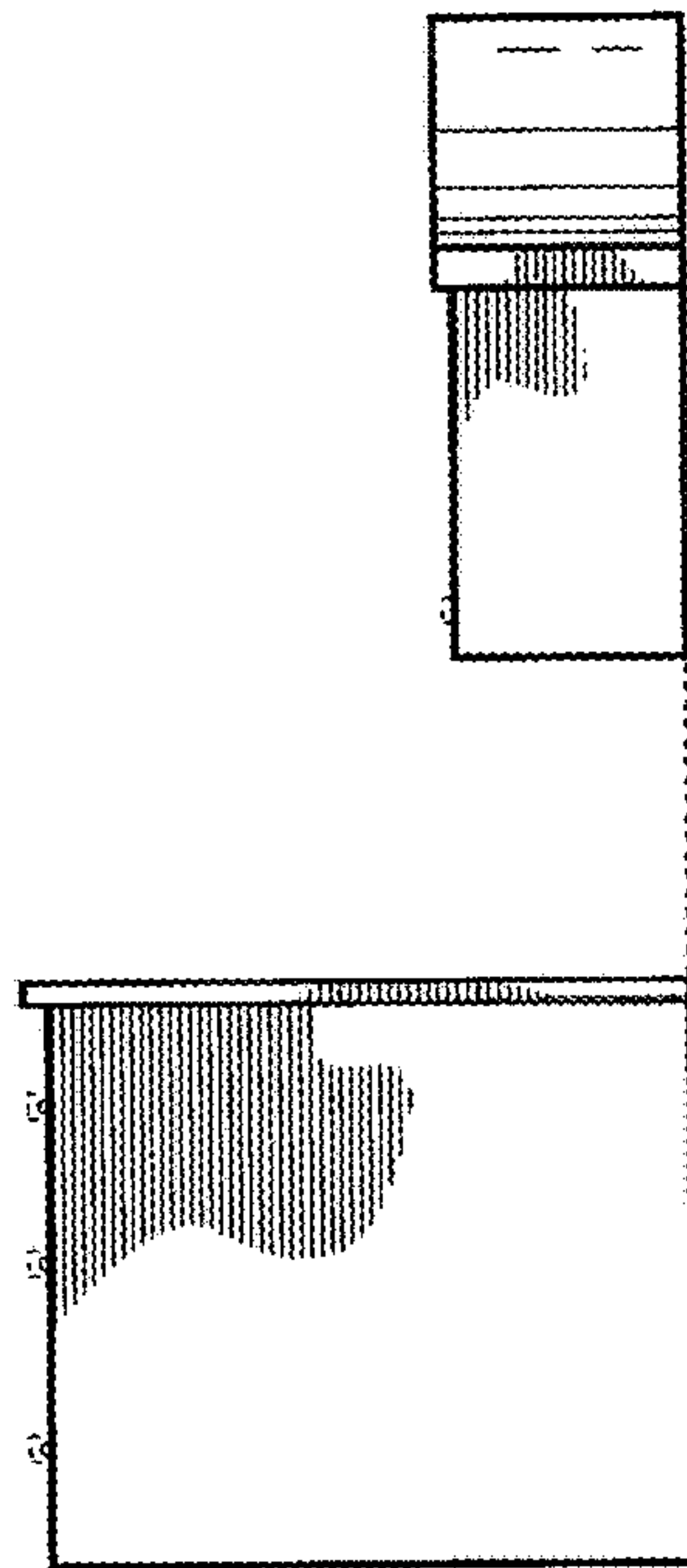


FIG. 3

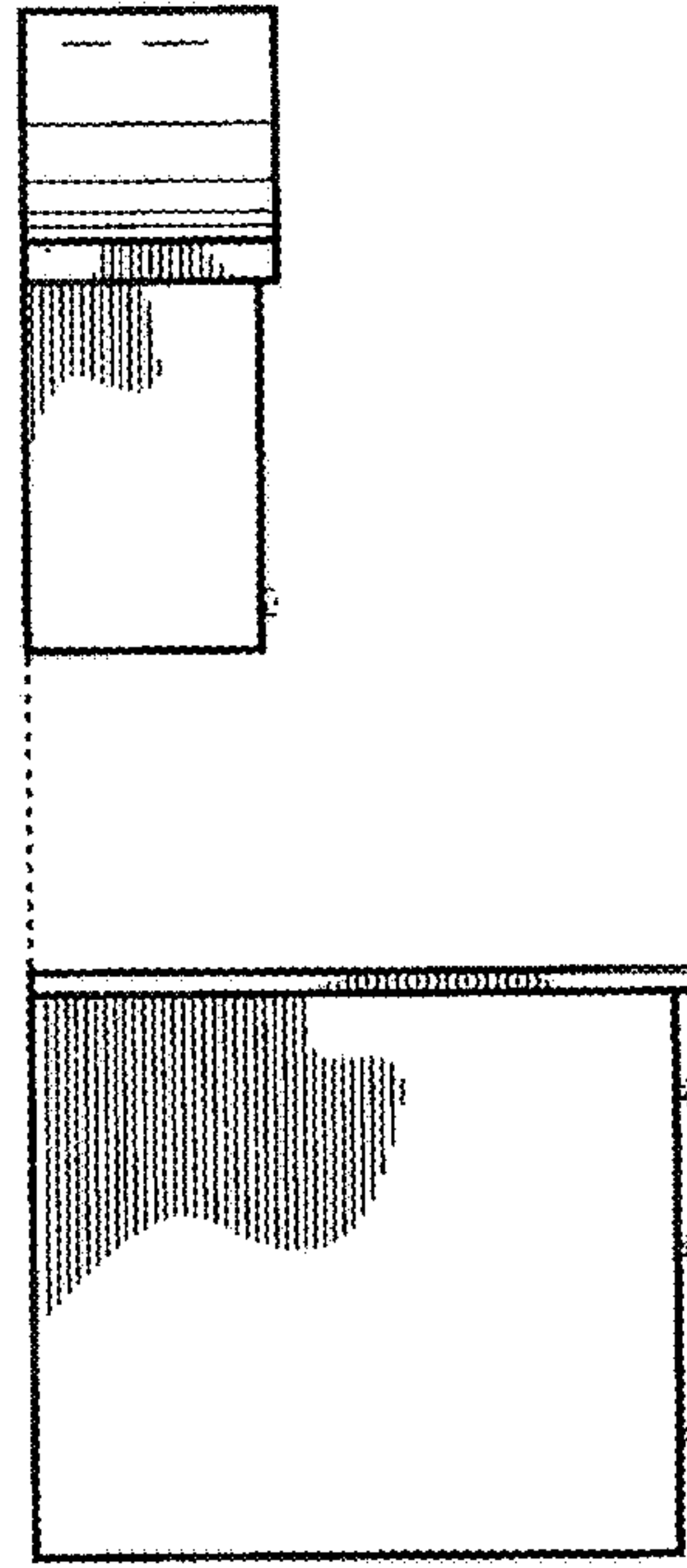


FIG. 4

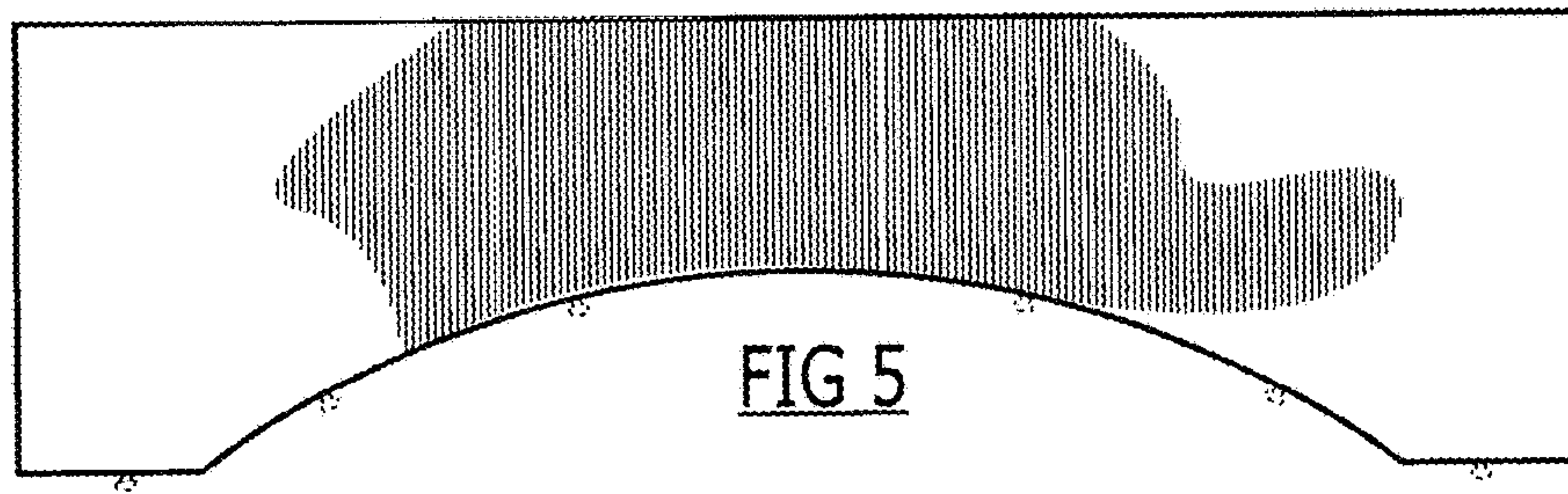


FIG 5

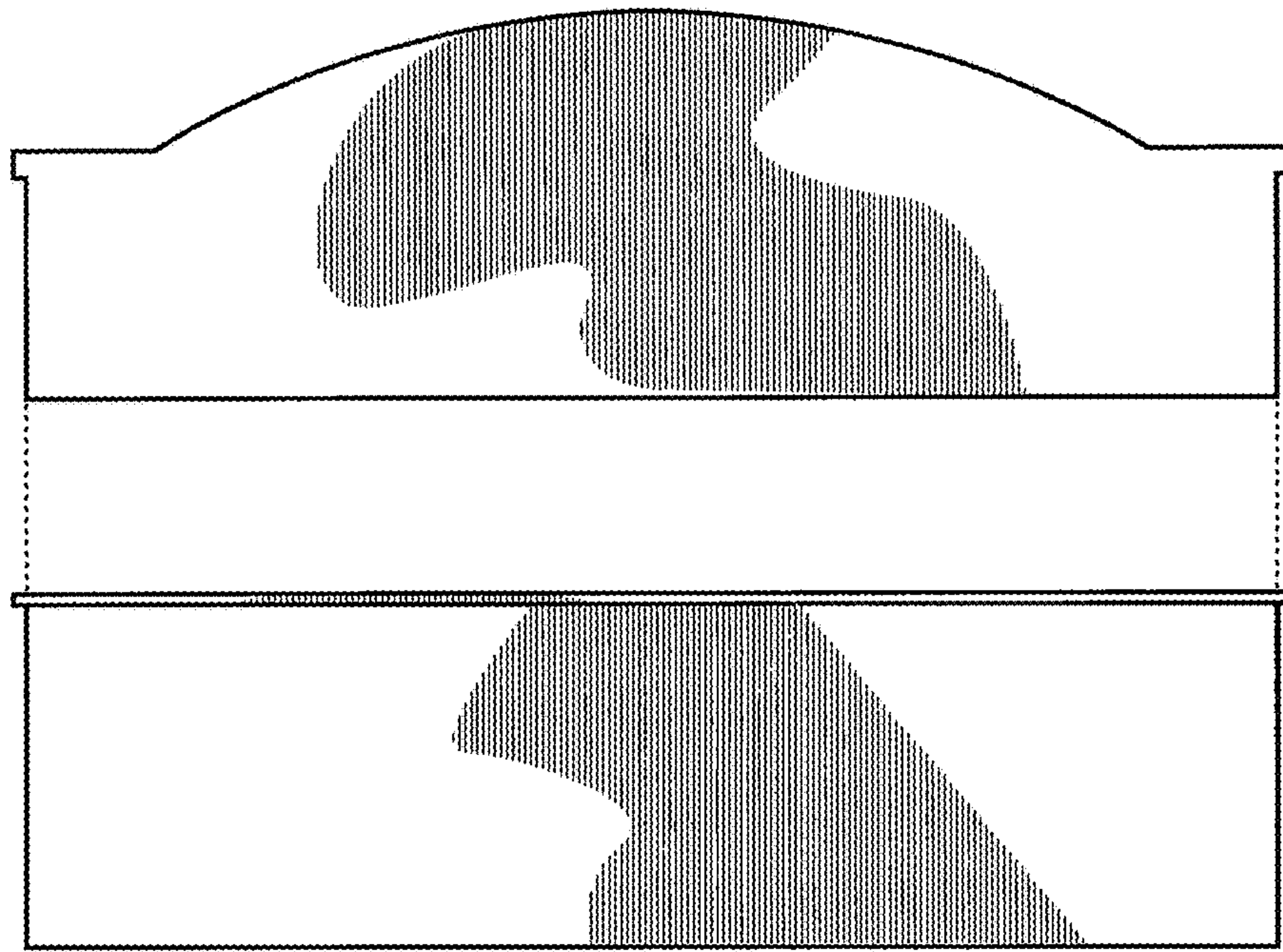


FIG 6