



US00D857422S

(12) **United States Design Patent**
Trieu et al.

(10) **Patent No.:** **US D857,422 S**

(45) **Date of Patent:** **** Aug. 27, 2019**

(54) **BABY CHANGING PAD**

(71) Applicants: **Diana Trieu**, Rosemead, CA (US);
Hong Thi Nguyen, Lakewood, CA (US)

(72) Inventors: **Diana Trieu**, Rosemead, CA (US);
Hong Thi Nguyen, Lakewood, CA (US)

(**) Term: **15 Years**

(21) Appl. No.: **29/639,843**

(22) Filed: **Mar. 9, 2018**

(51) **LOC (12) Cl.** **06-09**

(52) **U.S. Cl.**
USPC **D6/596**

(58) **Field of Classification Search**
USPC D6/595-597, 582, 601, 603, 604, 606
CPC . A47G 9/00; A47G 9/06; A47G 9/062; A47G 9/083; A47G 9/086; A47G 9/10; A47G 9/1027; A47G 9/1054; A47G 9/1063; A47G 9/1072; A47G 2009/1018; A47C 17/64; A47C 21/026
See application file for complete search history.

(56) **References Cited**

U.S. PATENT DOCUMENTS

D329,148 S * 9/1992 Hwang D6/368
D501,112 S * 1/2005 Kasatshko D21/809

D598,229 S * 8/2009 Allen D6/596
D617,600 S * 6/2010 Corneh D6/596
2014/0090175 A1* 4/2014 Thrailkill A47D 15/008
5/655
2016/0120325 A1* 5/2016 Paoletti A47D 11/00
297/118
2018/0368587 A1* 12/2018 Trieu A47D 15/008

* cited by examiner

Primary Examiner — R. Johnson

(74) *Attorney, Agent, or Firm* — Dunlap Bennett & Ludwig PLLC

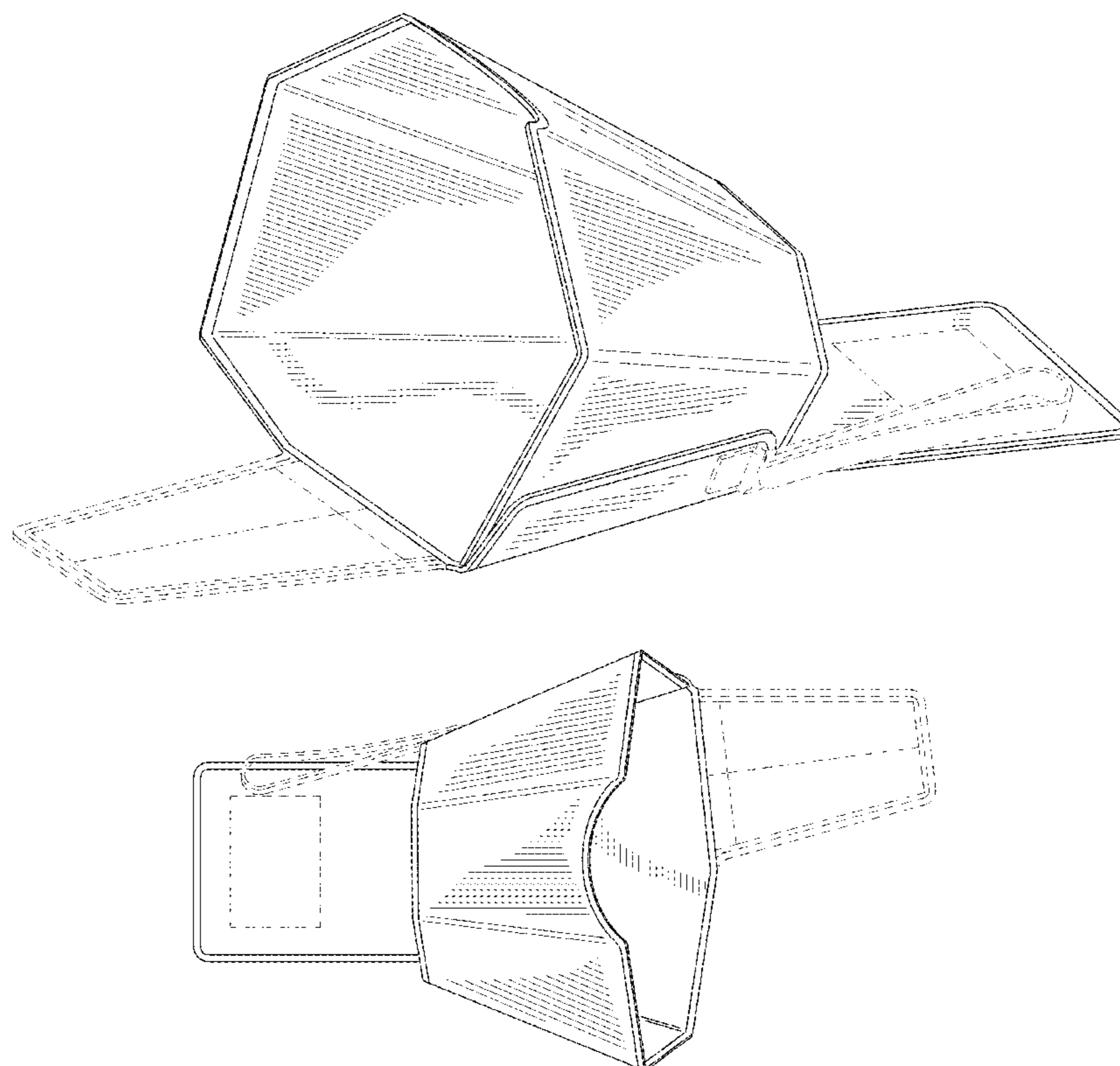
(57) **CLAIM**

The ornamental design for a baby changing pad, as shown and described.

DESCRIPTION

FIG. 1 is a perspective view of a baby changing pad; FIG. 2 is a top plan view thereof; FIG. 3 is a bottom plan view thereof; FIG. 4 is a right side elevation view thereof; FIG. 5 is a left side elevation view thereof; FIG. 6 is a front elevation view thereof; and, FIG. 7 is a rear elevation view thereof. The broken lines shown in the drawings depict portions of pockets, a pillow, and a strap that form no part of the claimed invention.

1 Claim, 4 Drawing Sheets



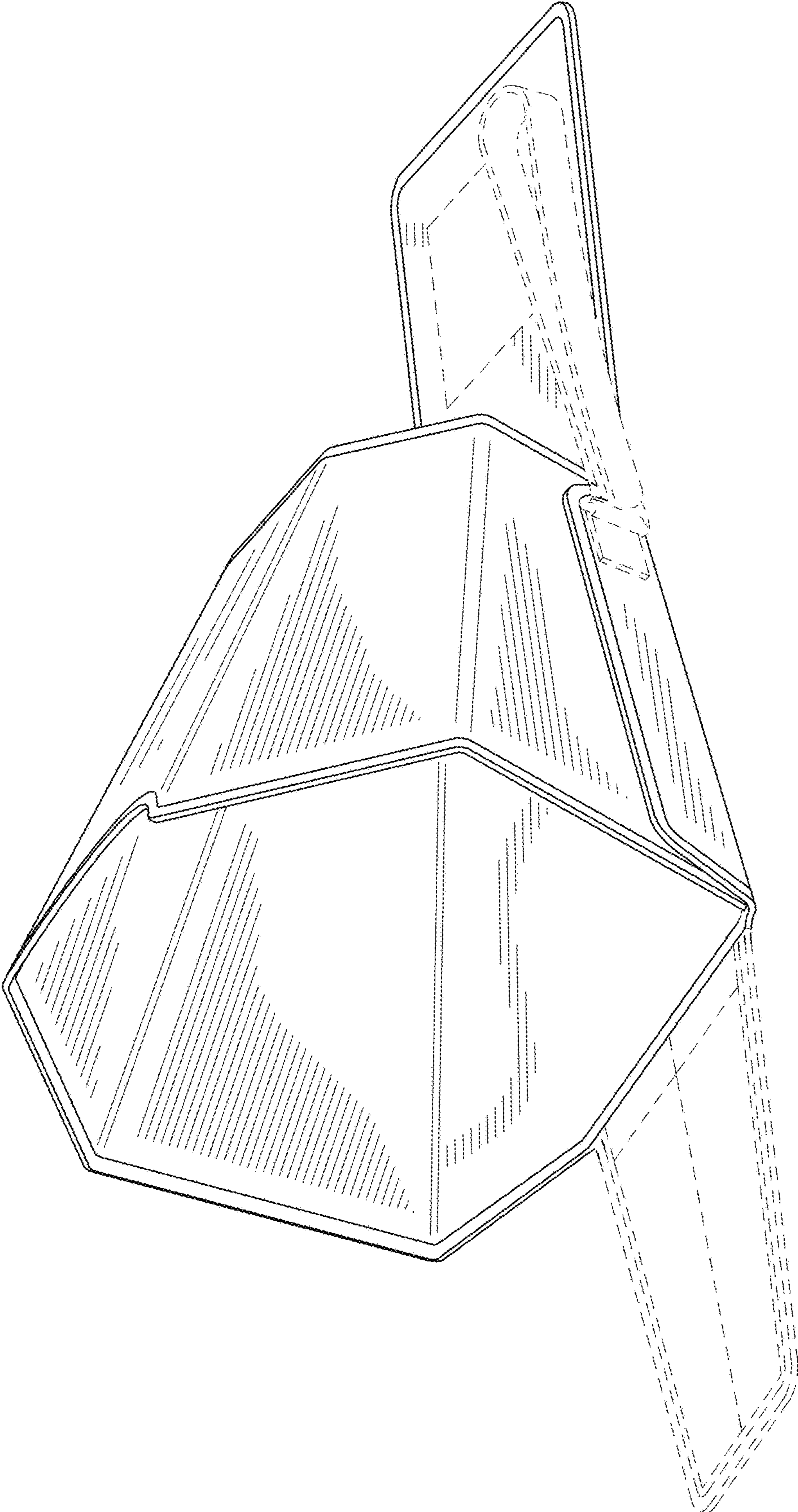


FIG.1

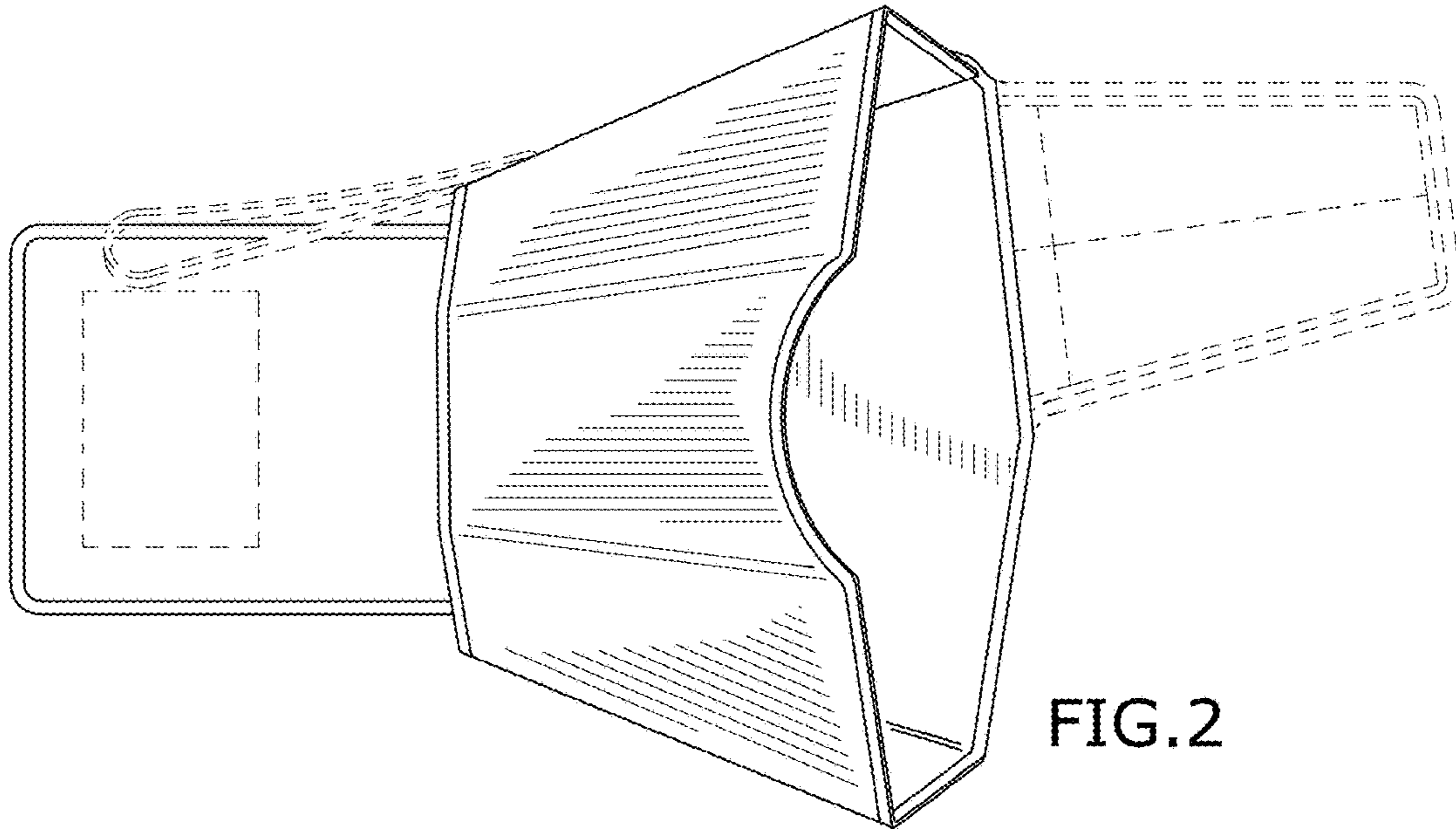


FIG. 2

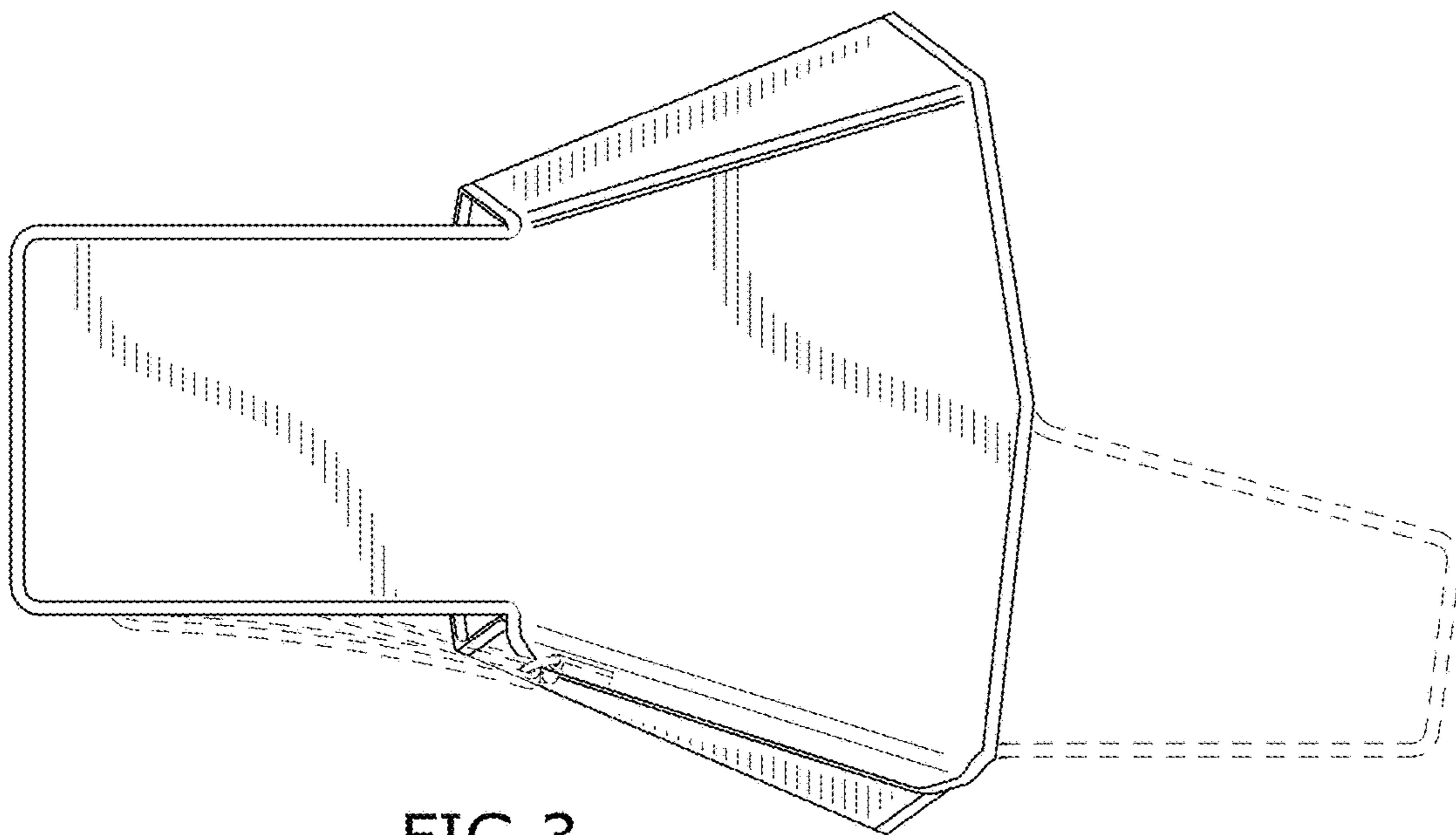


FIG. 3

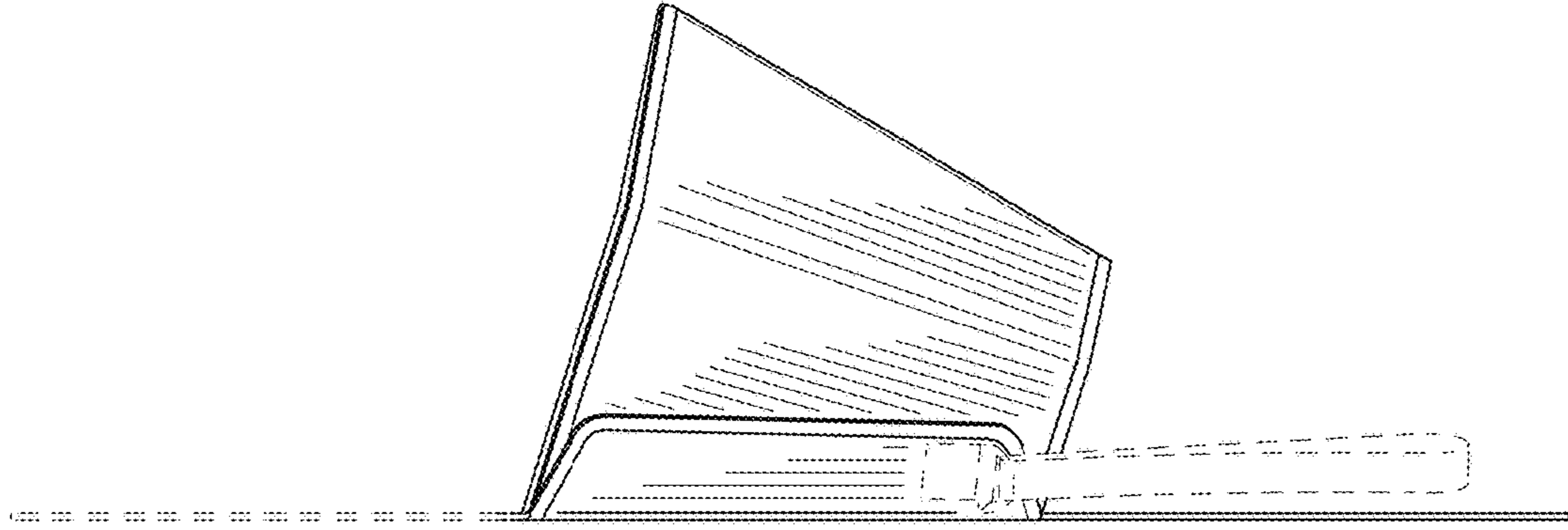


FIG. 4

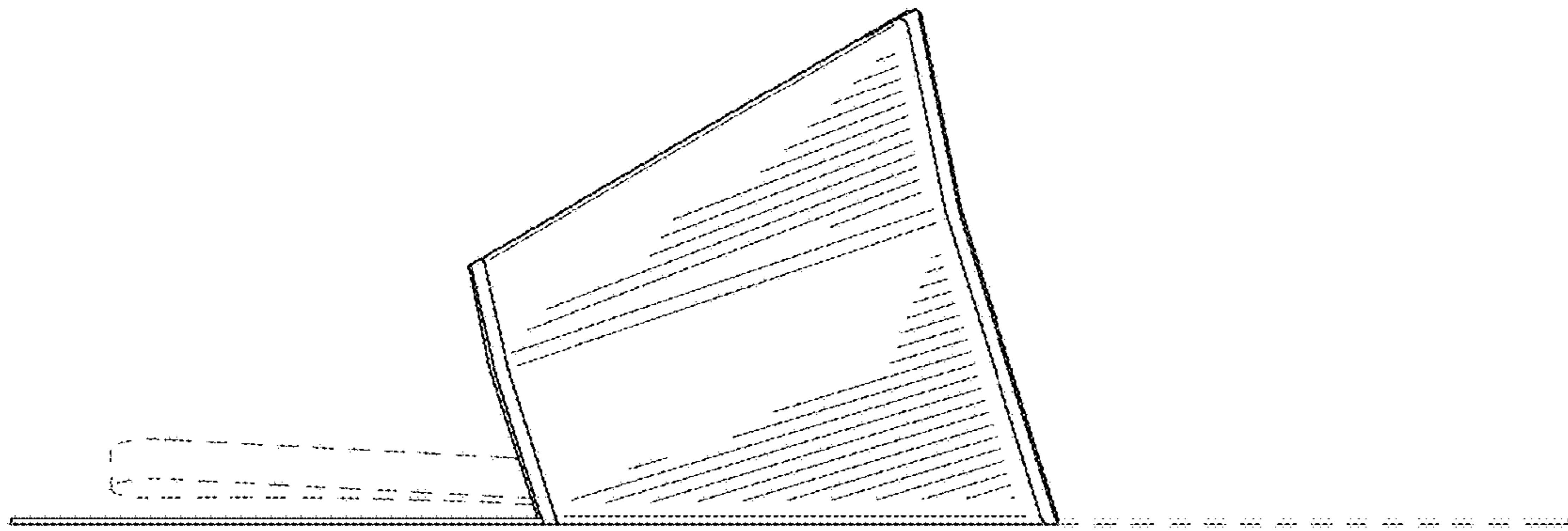


FIG. 5

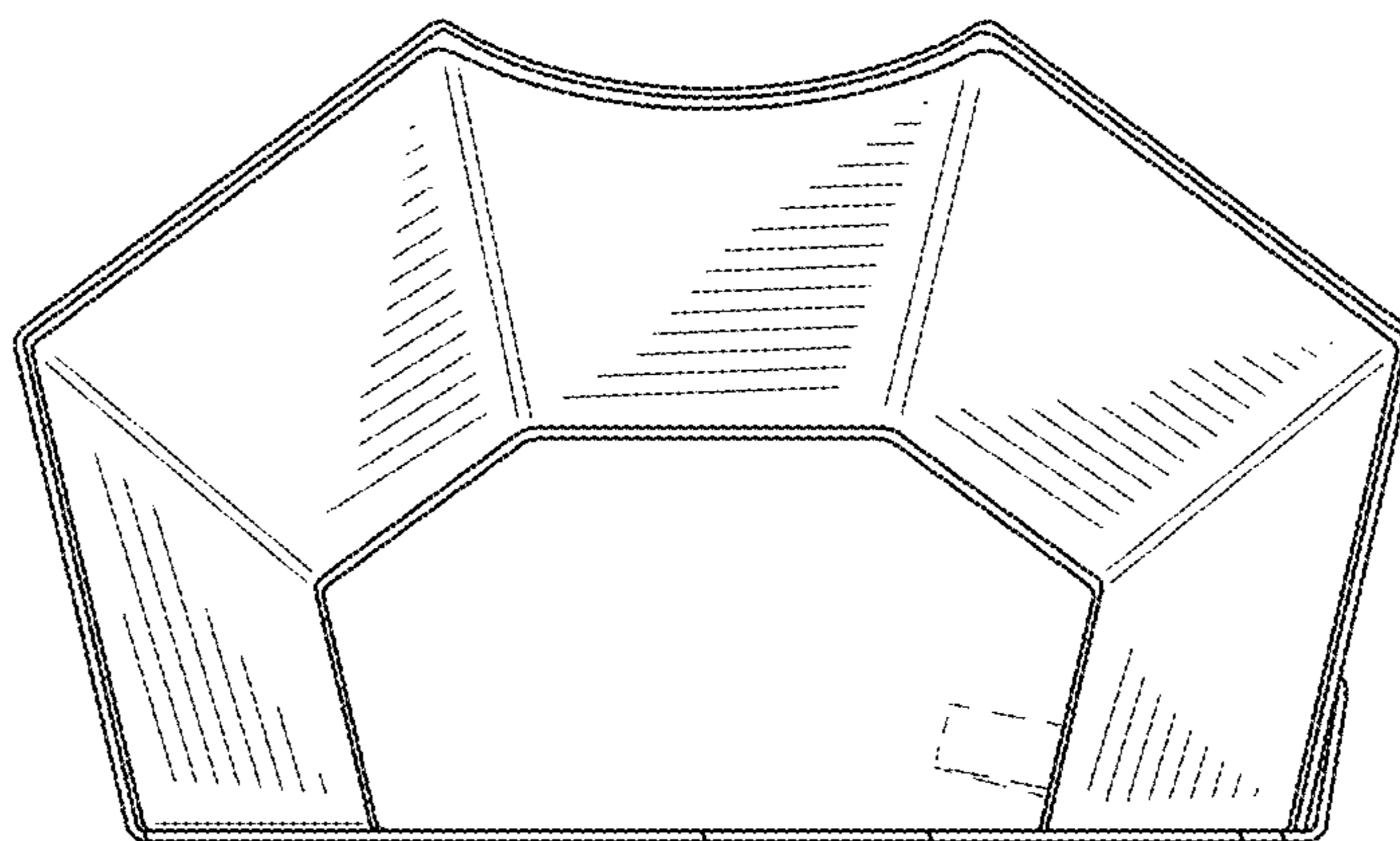


FIG. 6

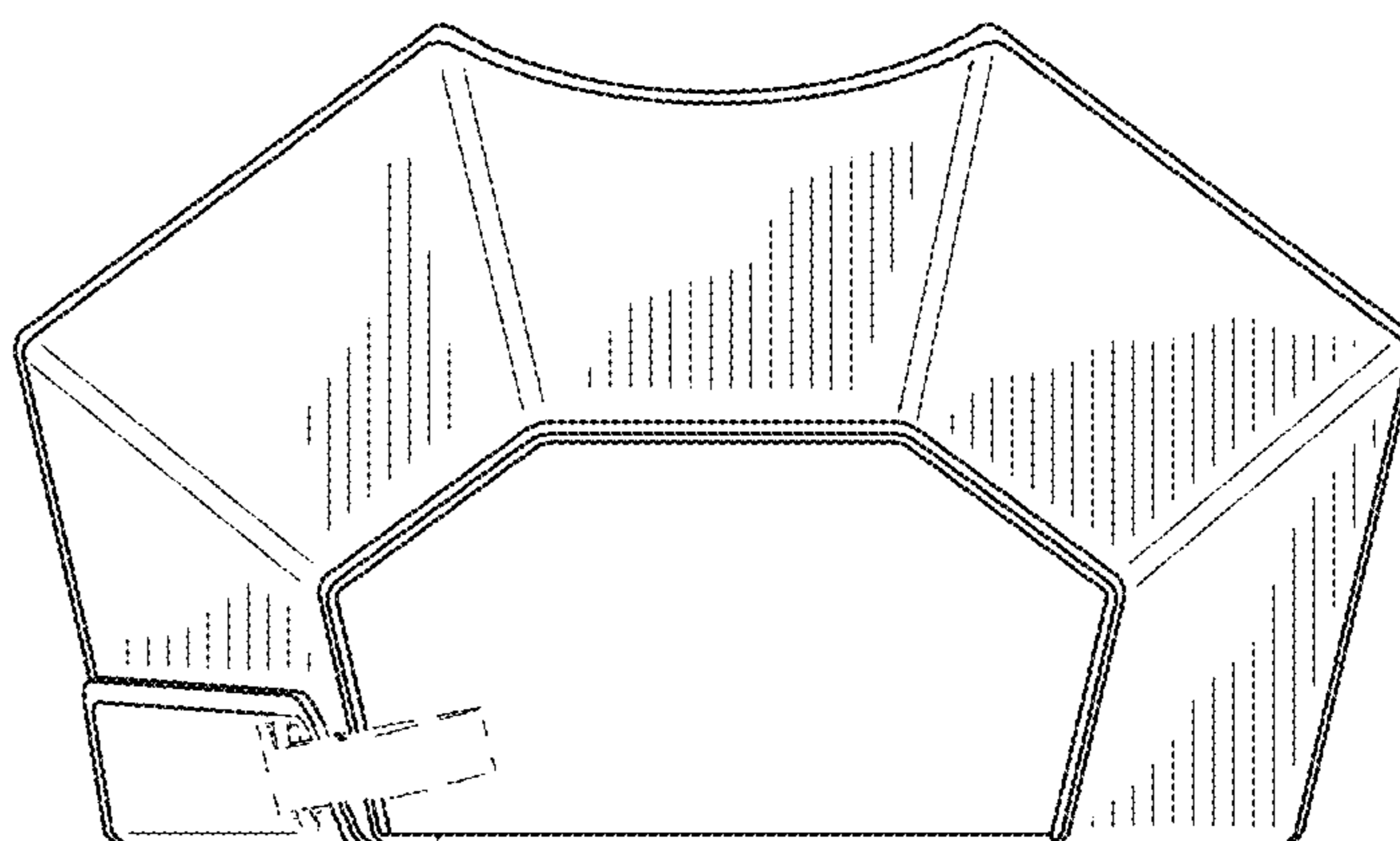


FIG. 7