



US00D857418S

(12) **United States Design Patent** (10) **Patent No.:** **US D857,418 S**  
**Garland et al.** (45) **Date of Patent:** **\*\* Aug. 27, 2019**

(54) **TISSUE HOLDER**

(71) Applicant: **DELTA FAUCET COMPANY**,  
 Indianapolis, IN (US)

(72) Inventors: **Celine Kwok Garland**, Zionsville, IN  
 (US); **Song Qing Liao**, Guangdong  
 (CN)

(73) Assignee: **DELTA FAUCET COMPANY**,  
 Indianapolis, IN (US)

(\*\*) Term: **15 Years**

(21) Appl. No.: **29/630,213**

(22) Filed: **Dec. 20, 2017**

(51) **LOC (12) Cl.** ..... **06-04**

(52) **U.S. Cl.**  
 USPC ..... **D6/523**

(58) **Field of Classification Search**  
 USPC ..... D6/518–523, 546, 549; 206/389;  
 242/520, 555, 595, 597; 211/123, 124;  
 248/309.1, 309.2  
 CPC ..... A47K 10/12; A47K 10/38; A47K 10/22;  
 A47K 10/40; A47K 2010/3233; A47K  
 2010/3863

See application file for complete search history.

(56) **References Cited**

U.S. PATENT DOCUMENTS

D696,042 S	*	12/2013	Starck	.....	D6/520
D796,224 S	*	9/2017	McDonnell	.....	D6/522
D797,468 S	*	9/2017	Andrew	.....	D6/540
D811,117 S	*	2/2018	Garland	.....	D6/523

\* cited by examiner

*Primary Examiner* — Wan Laymon

*Assistant Examiner* — Mark Booker

(74) *Attorney, Agent, or Firm* — Edgar A. Zarins; Nirav D. Parikh

(57) **CLAIM**

The ornamental design for a tissue holder, as shown and described.

**DESCRIPTION**

FIG. 1 is a perspective view of a tissue holder showing our new design;

FIG. 2 is a first end view thereof, the opposite end being a mirror image of the end shown;

FIG. 3 is a front elevational view thereof;

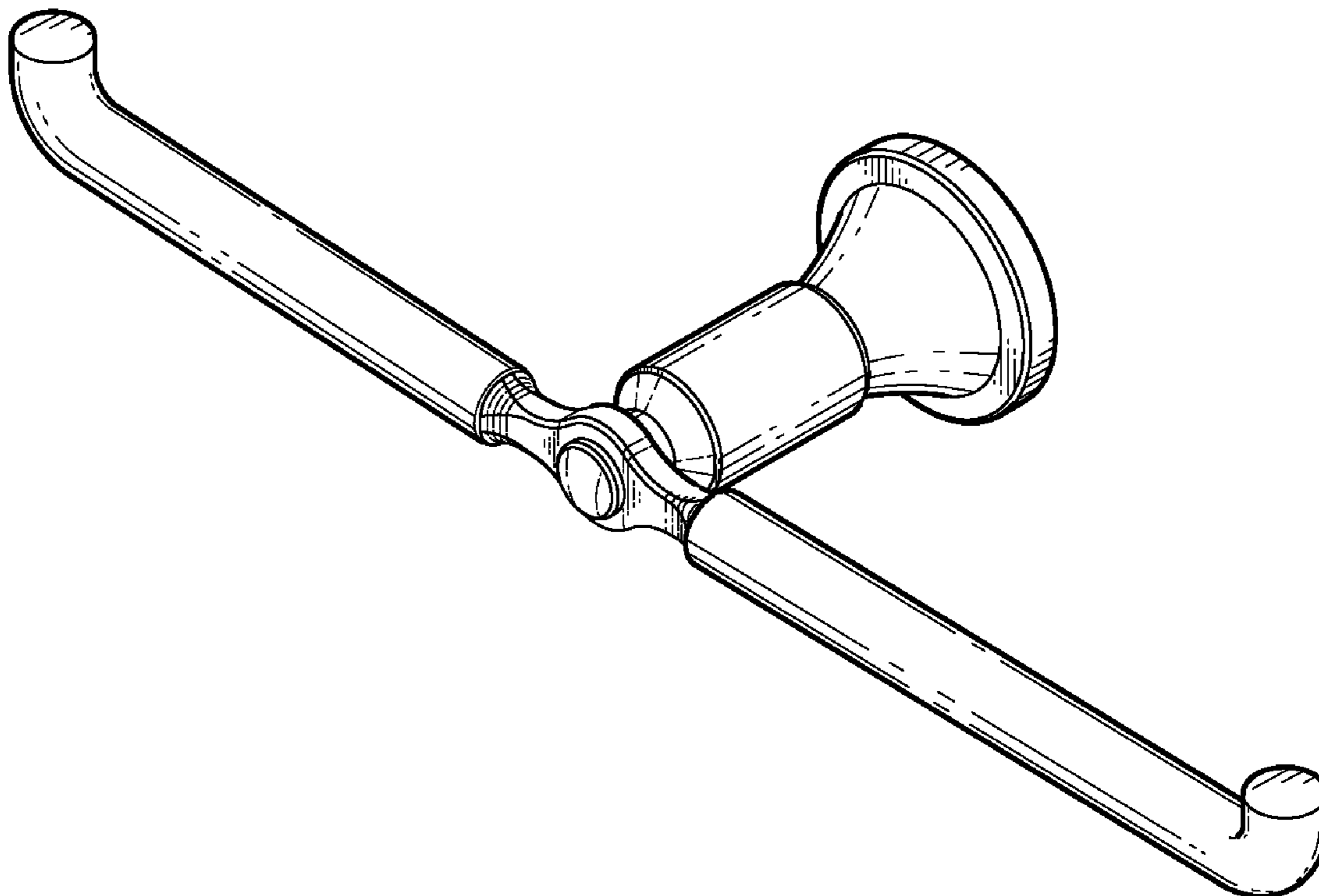
FIG. 4 is a rear view thereof;

FIG. 5 is a top plan view thereof; and,

FIG. 6 is a bottom view thereof.

The broken-line disclosure in the view represents a portion of the tissue holder in which the claimed design is embodied, but which forms no part of the claimed design.

**1 Claim, 2 Drawing Sheets**



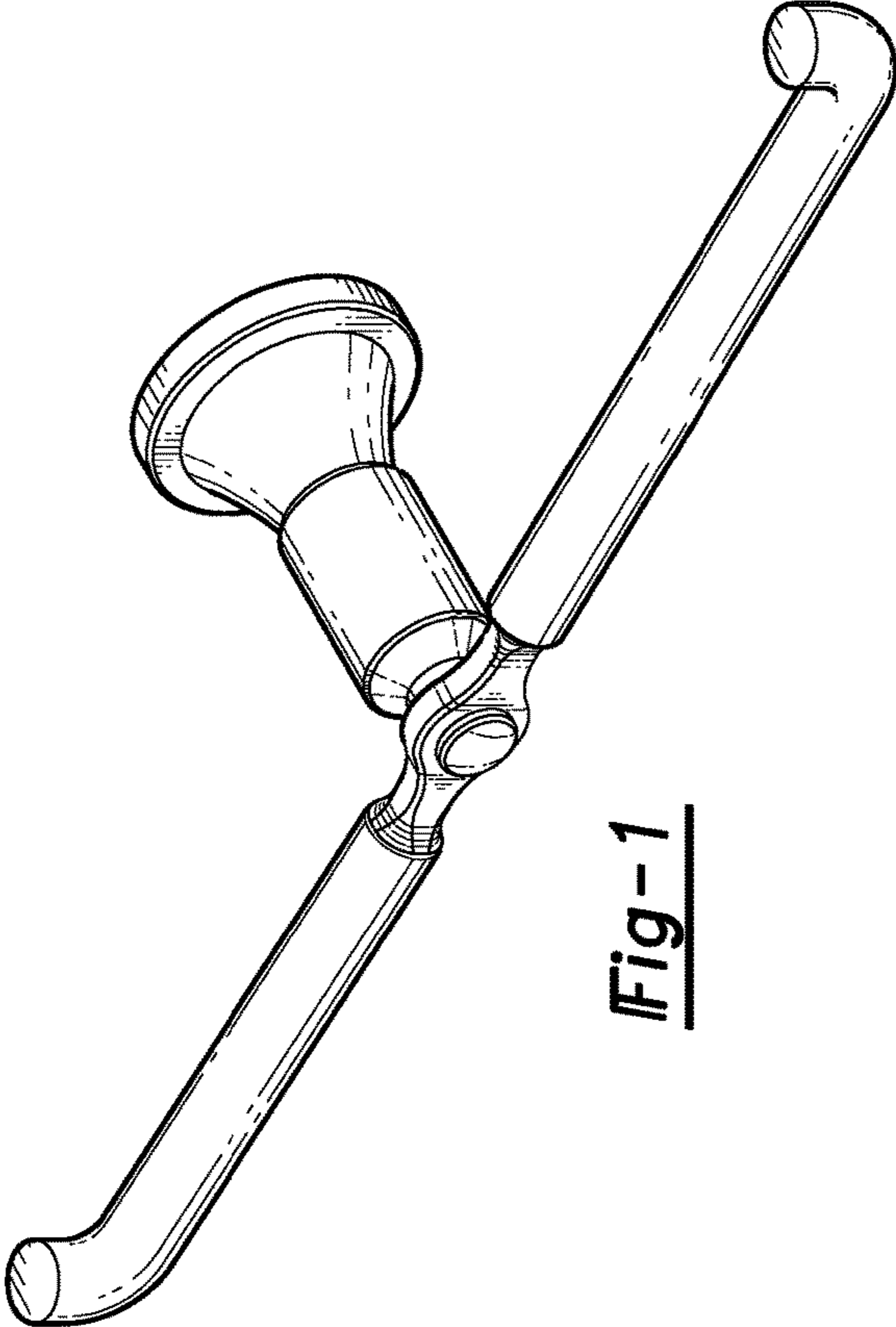


Fig-1

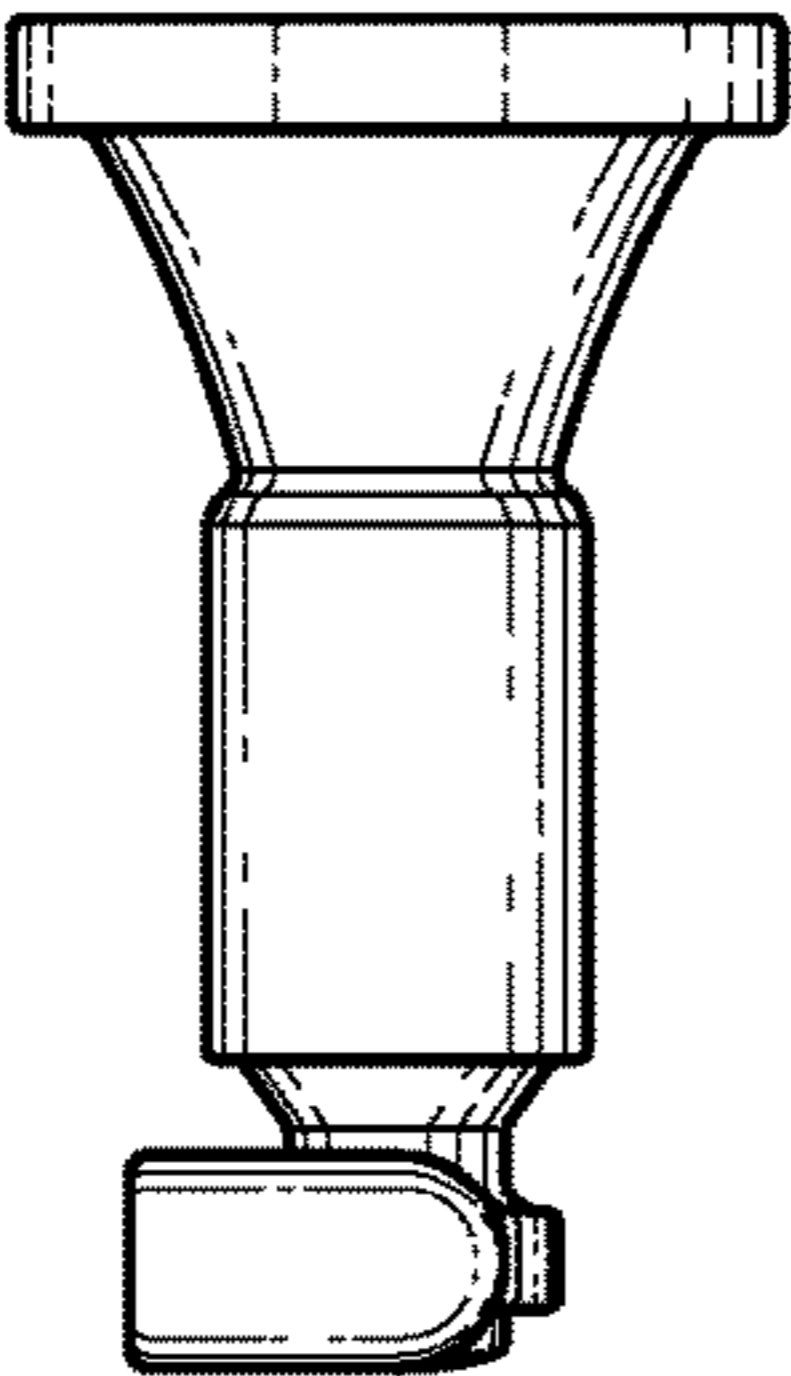


Fig-2

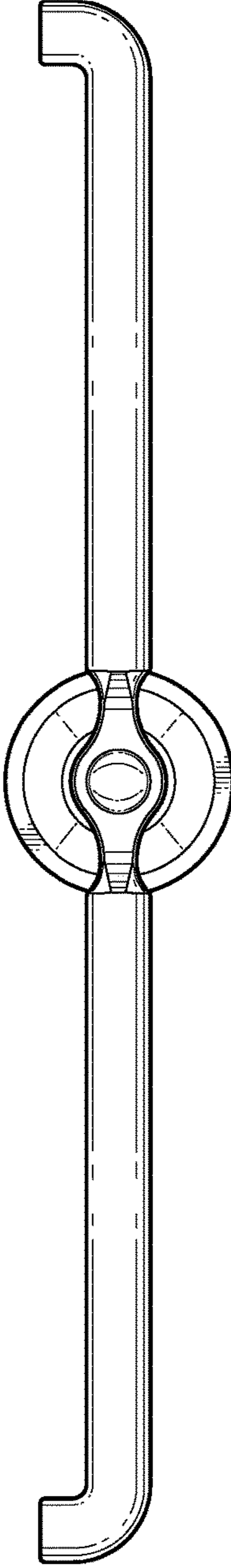


Fig-3

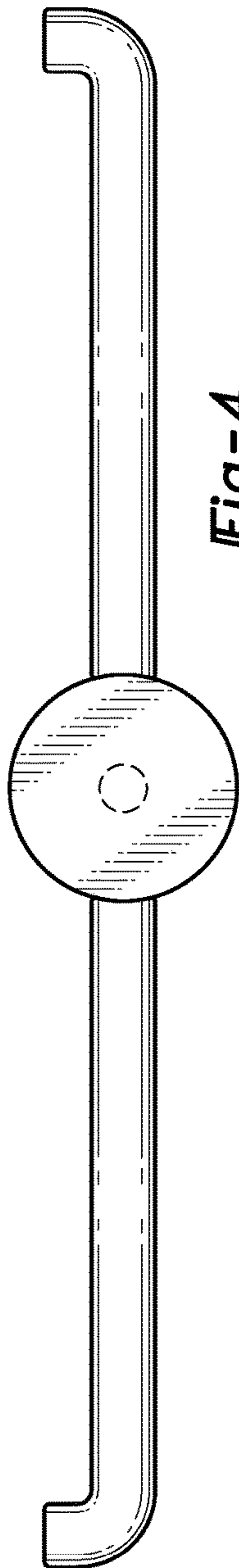


Fig-4

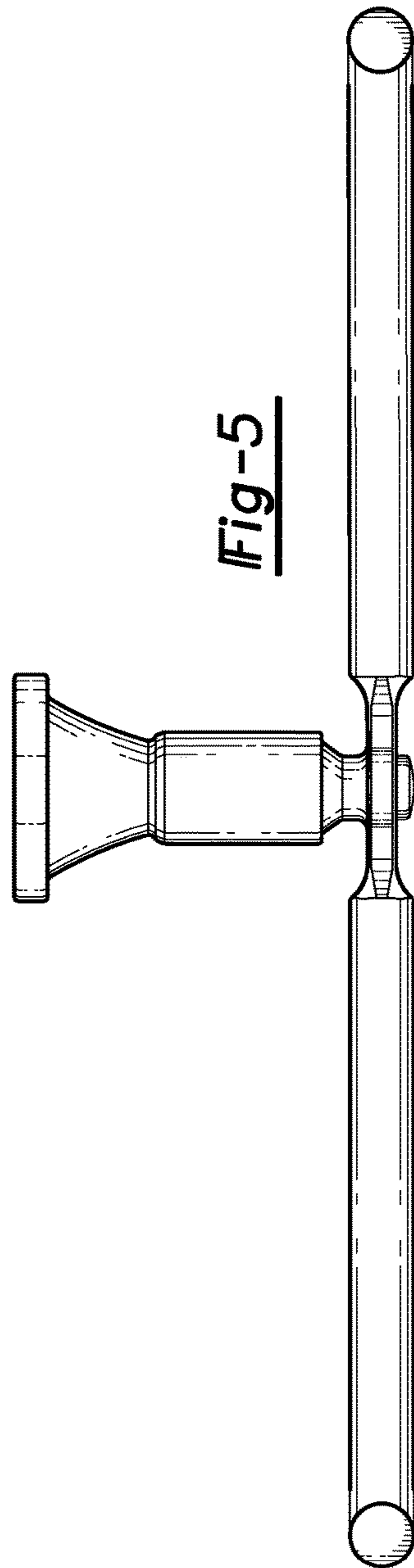


Fig-5

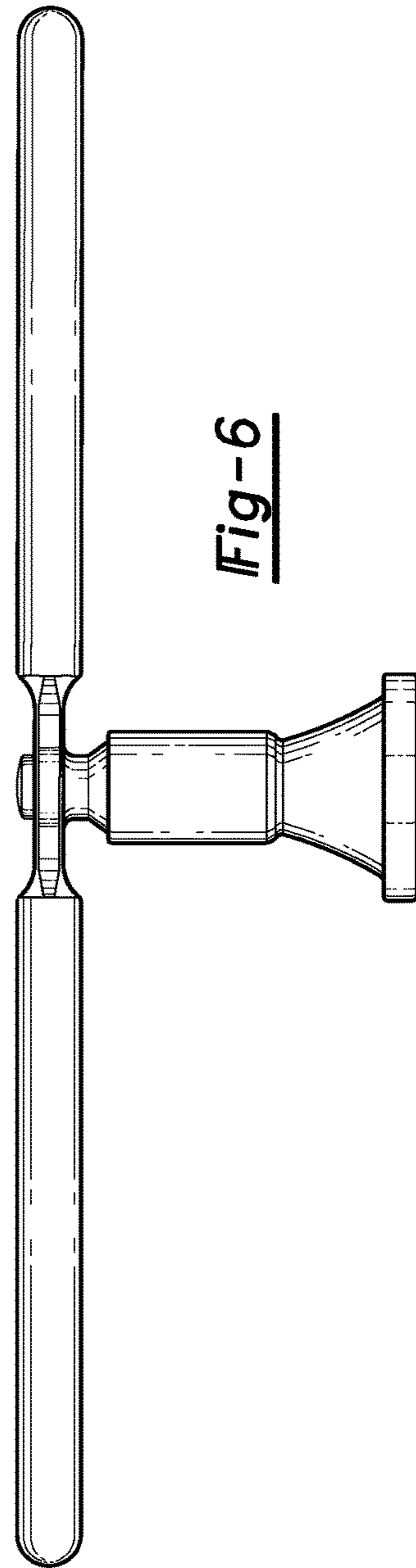


Fig-6