



US00D857416S

(12) **United States Design Patent**
Tran

(10) **Patent No.:** **US D857,416 S**

(45) **Date of Patent:** **** *Aug. 27, 2019**

(54) **CHAIR**

(71) Applicant: **Plascene Inc.**, Oxnard, CA (US)

(72) Inventor: **Minh Dat Duy Tran**, Huntington Beach, CA (US)

(*) Notice: This patent is subject to a terminal disclaimer.

(**) Term: **15 Years**

(21) Appl. No.: **29/626,873**

(22) Filed: **Nov. 21, 2017**

(51) **LOC (12) Cl.** **06-01**

(52) **U.S. Cl.**
USPC **D6/380**

(58) **Field of Classification Search**
USPC D6/334-336, 368, 374, 376, 379, 380,
D6/716, 716.1, 716.2, 716.3, 716.4
CPC A47C 3/04; A47C 4/02; A47C 4/03; A47C
4/08; A47C 4/024; A47C 4/028; A47C
5/12; A47C 7/16
See application file for complete search history.

(56) **References Cited**

U.S. PATENT DOCUMENTS

D214,315 S * 6/1969 Bartholomew D6/374
D219,032 S * 10/1970 Christenson, Jr. D6/374

D265,151 S * 6/1982 Roner D6/368
D474,620 S * 5/2003 Striebel D6/380
D481,550 S * 11/2003 Astle D6/380
D560,384 S * 1/2008 Stauber D6/374
D647,321 S * 10/2011 Garfinkle D6/380
D673,395 S * 1/2013 Piretti D6/376
D679,515 S * 4/2013 Hsu D6/374
D779,223 S * 2/2017 Duvigneau D6/374
D813,563 S * 3/2018 Morrison D6/380

* cited by examiner

Primary Examiner — Mimoso De

(74) *Attorney, Agent, or Firm* — Michael N. Cohen;
Cohen IP Law Group, P.C.

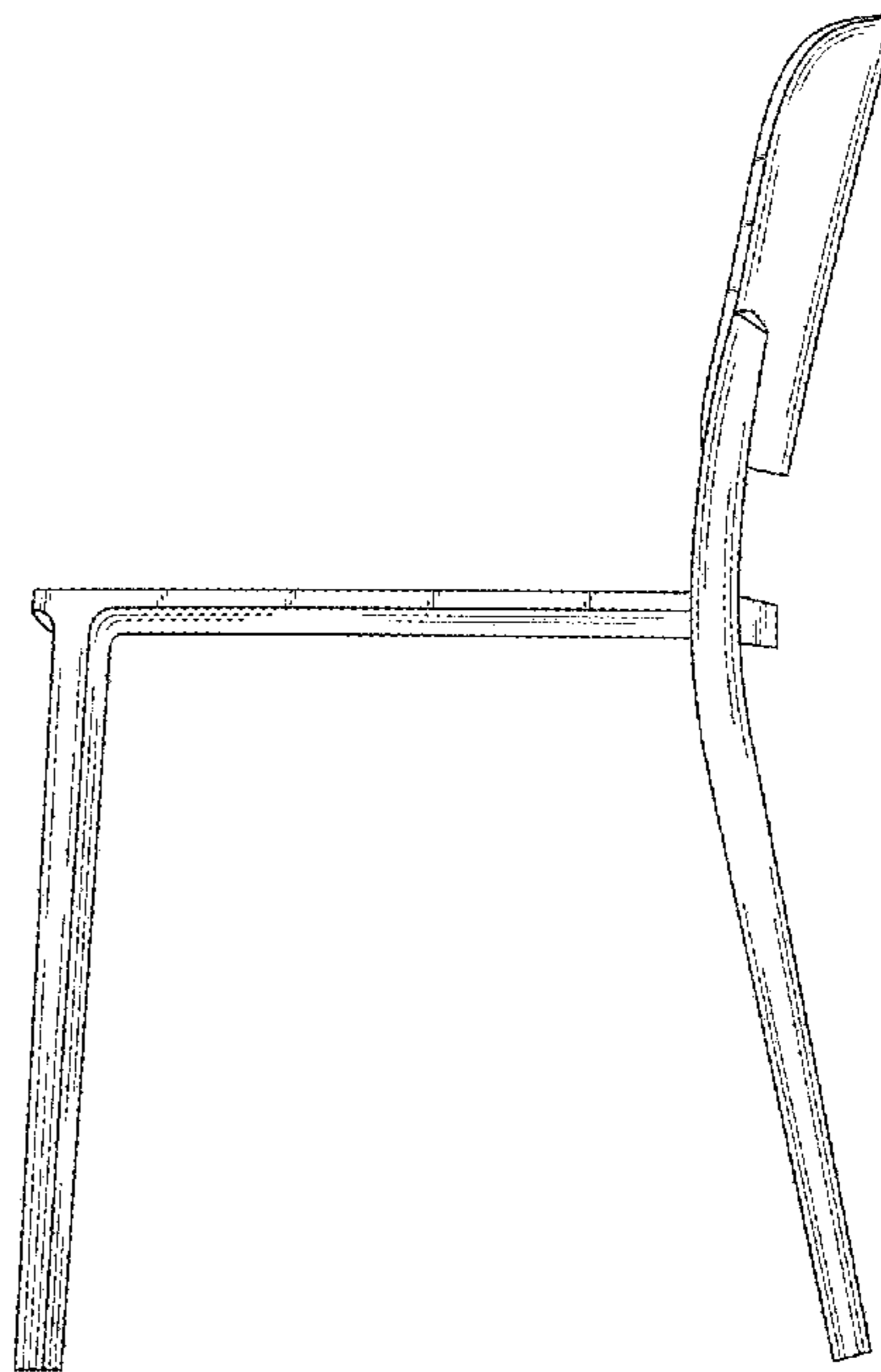
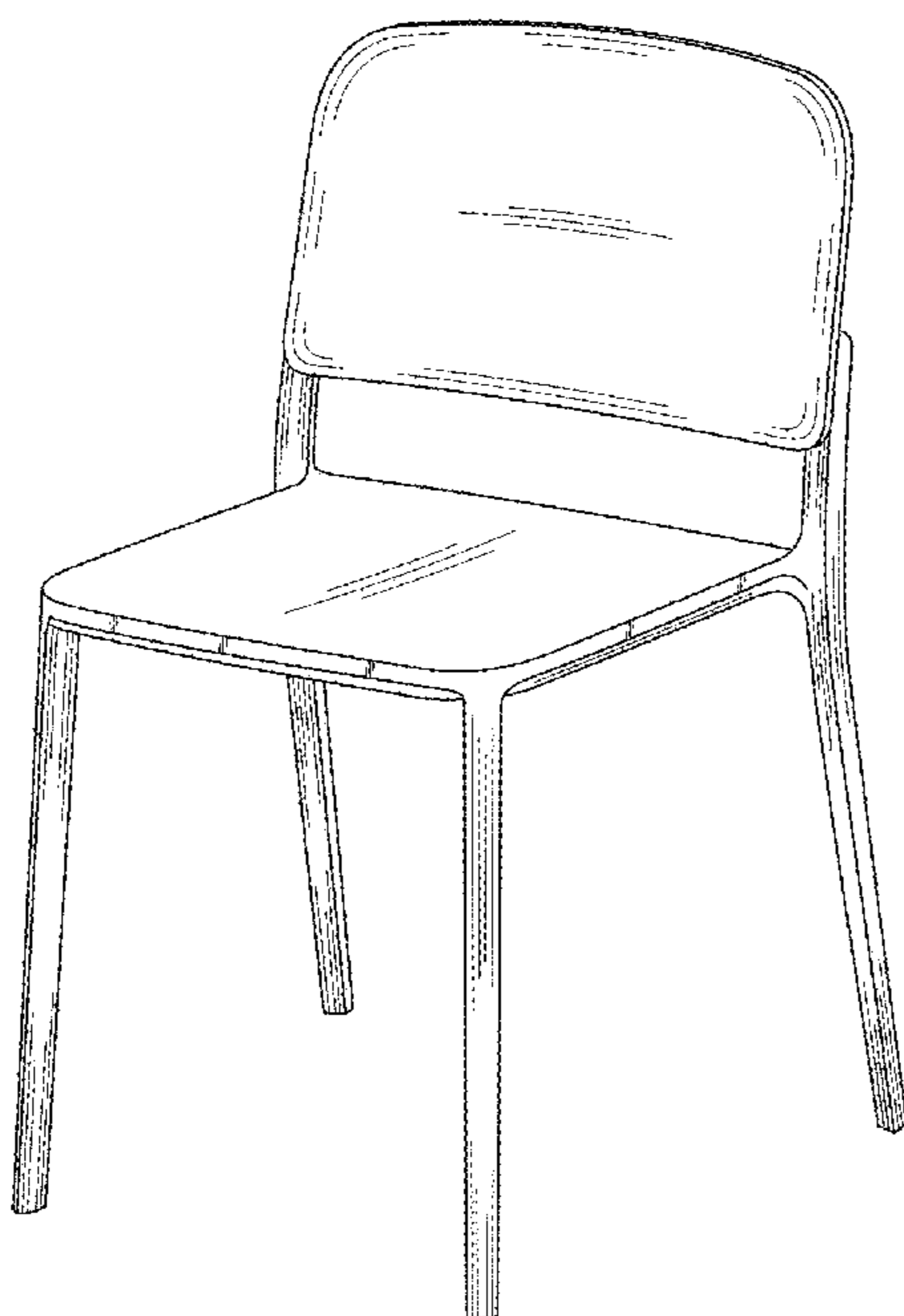
(57) **CLAIM**

I claim the ornamental design for a chair, as shown and described.

DESCRIPTION

FIG. 1 is a side perspective view of a chair;
FIG. 2 is a front view of FIG. 1;
FIG. 3 is a back view of FIG. 1;
FIG. 4 is a top view of FIG. 1;
FIG. 5 is a bottom view of FIG. 1; and,
FIG. 6 is a side view of FIG. 1.

1 Claim, 6 Drawing Sheets



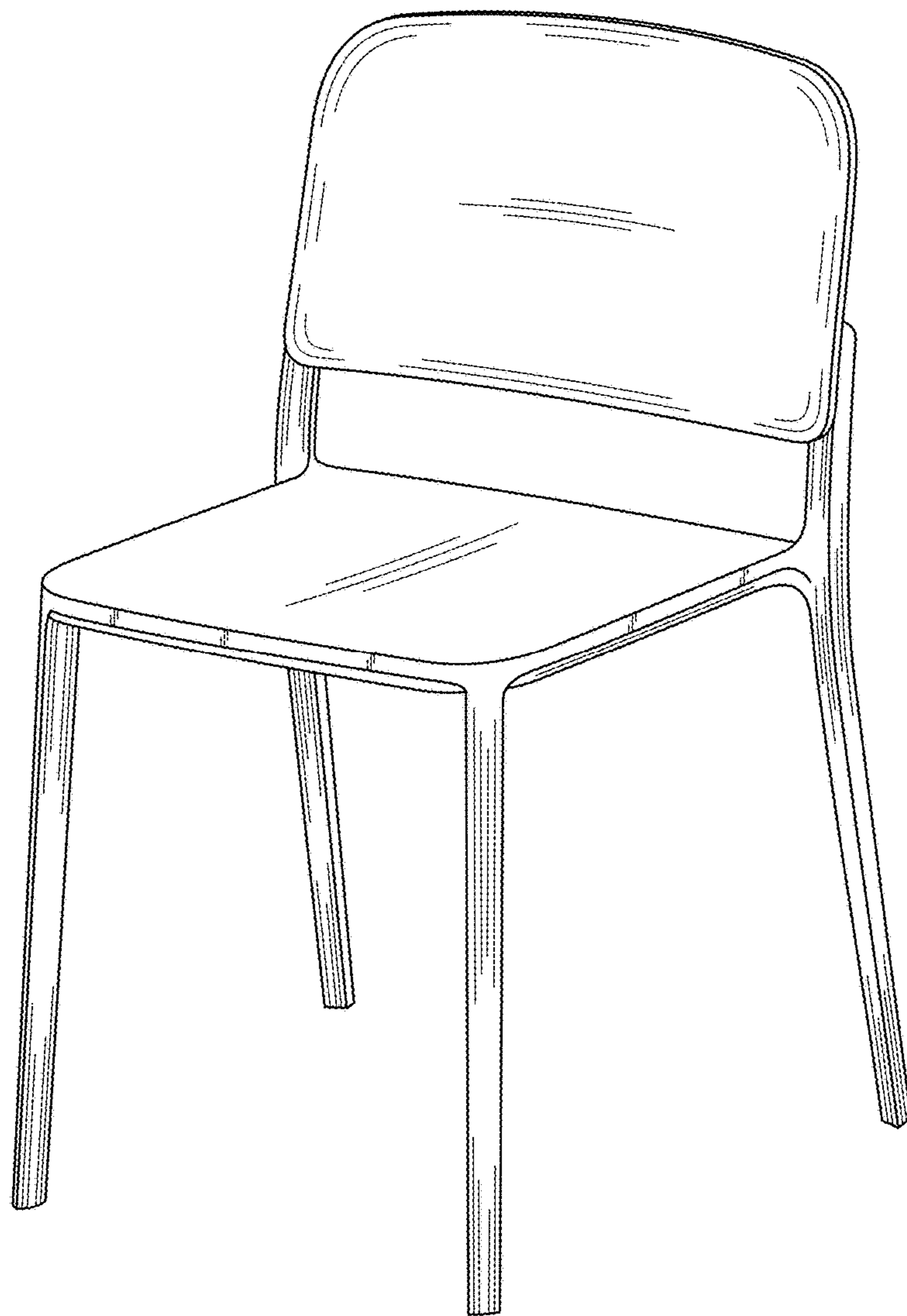


FIG. 1

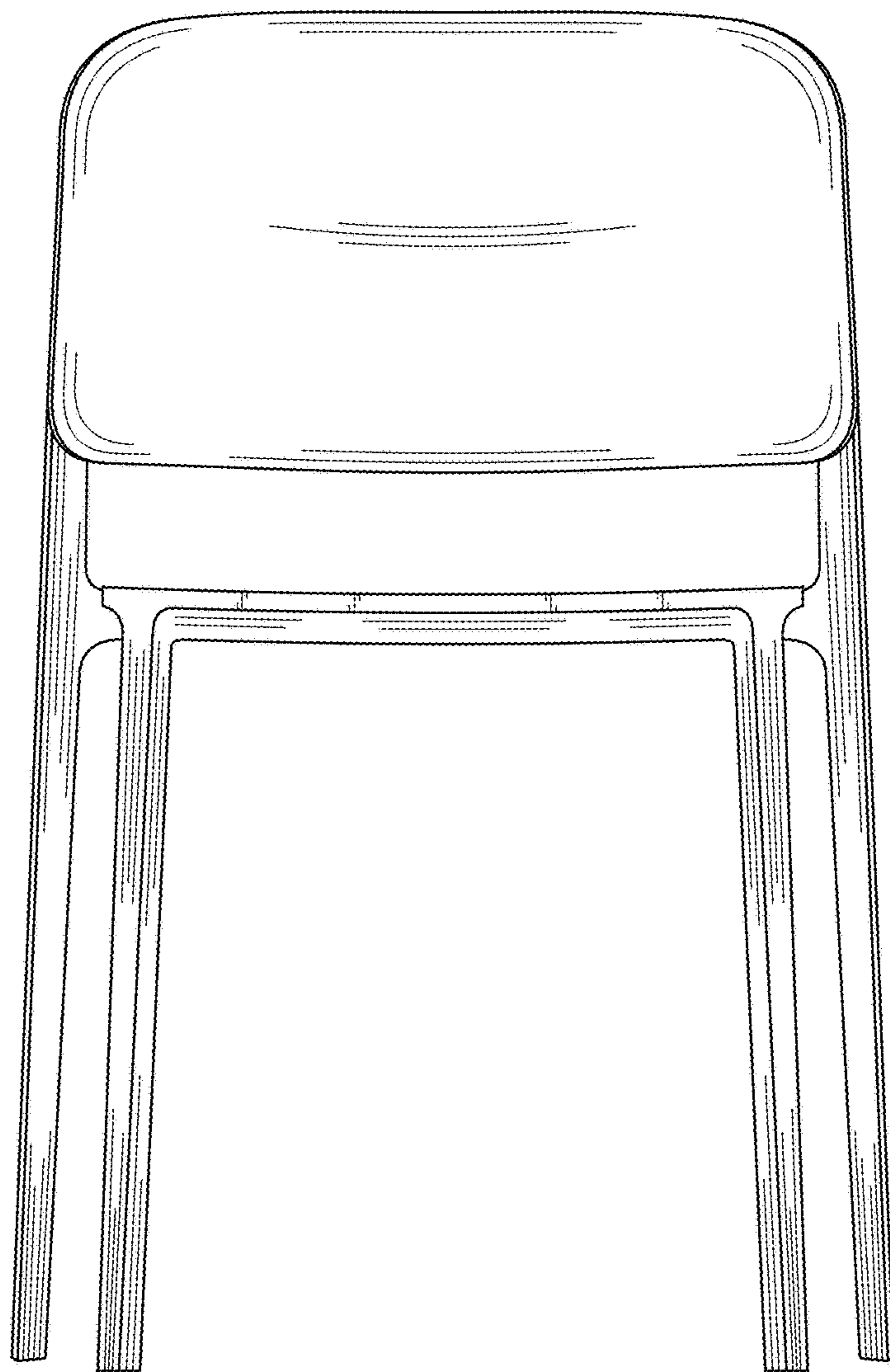


FIG. 2

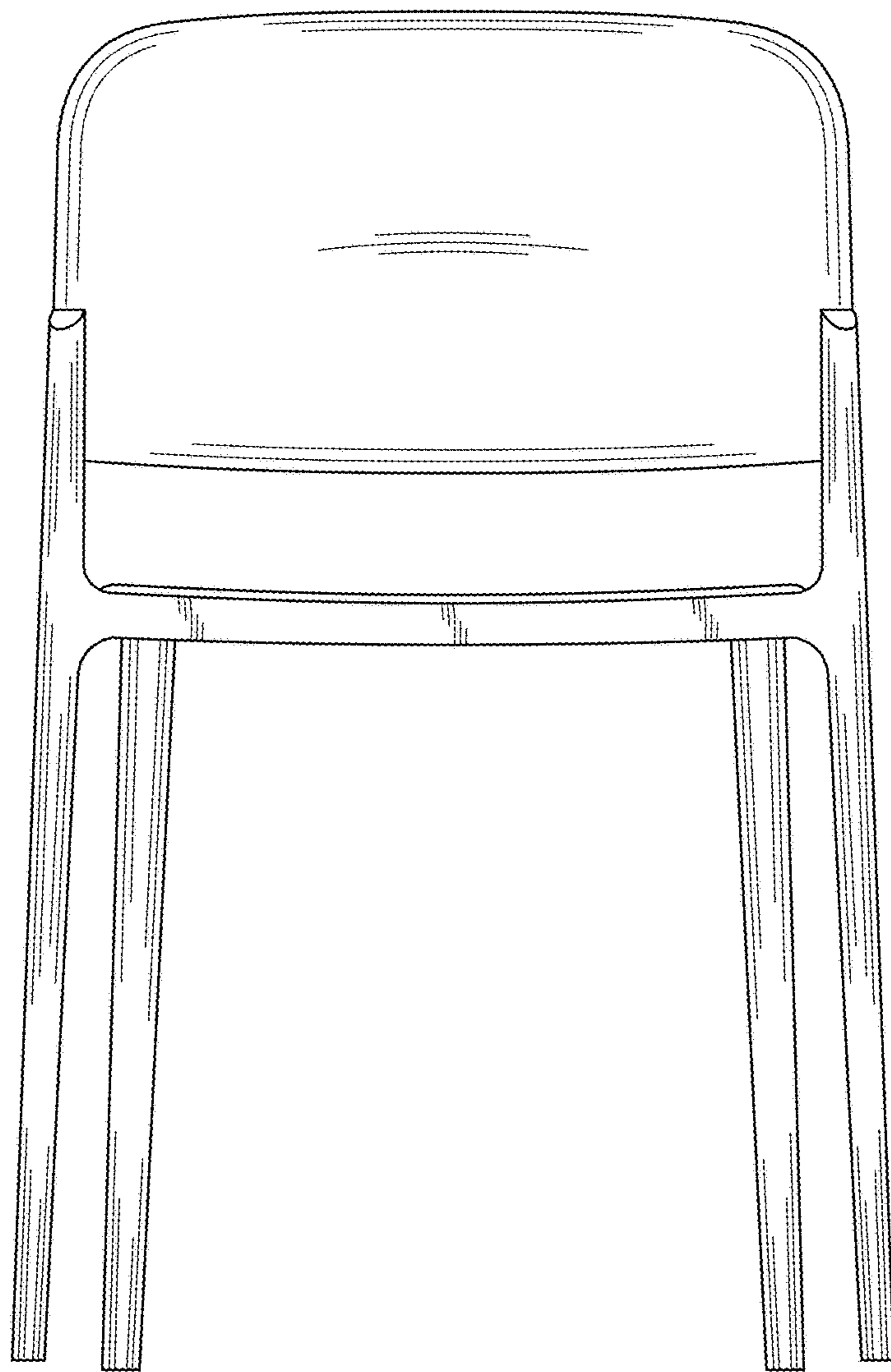


FIG. 3

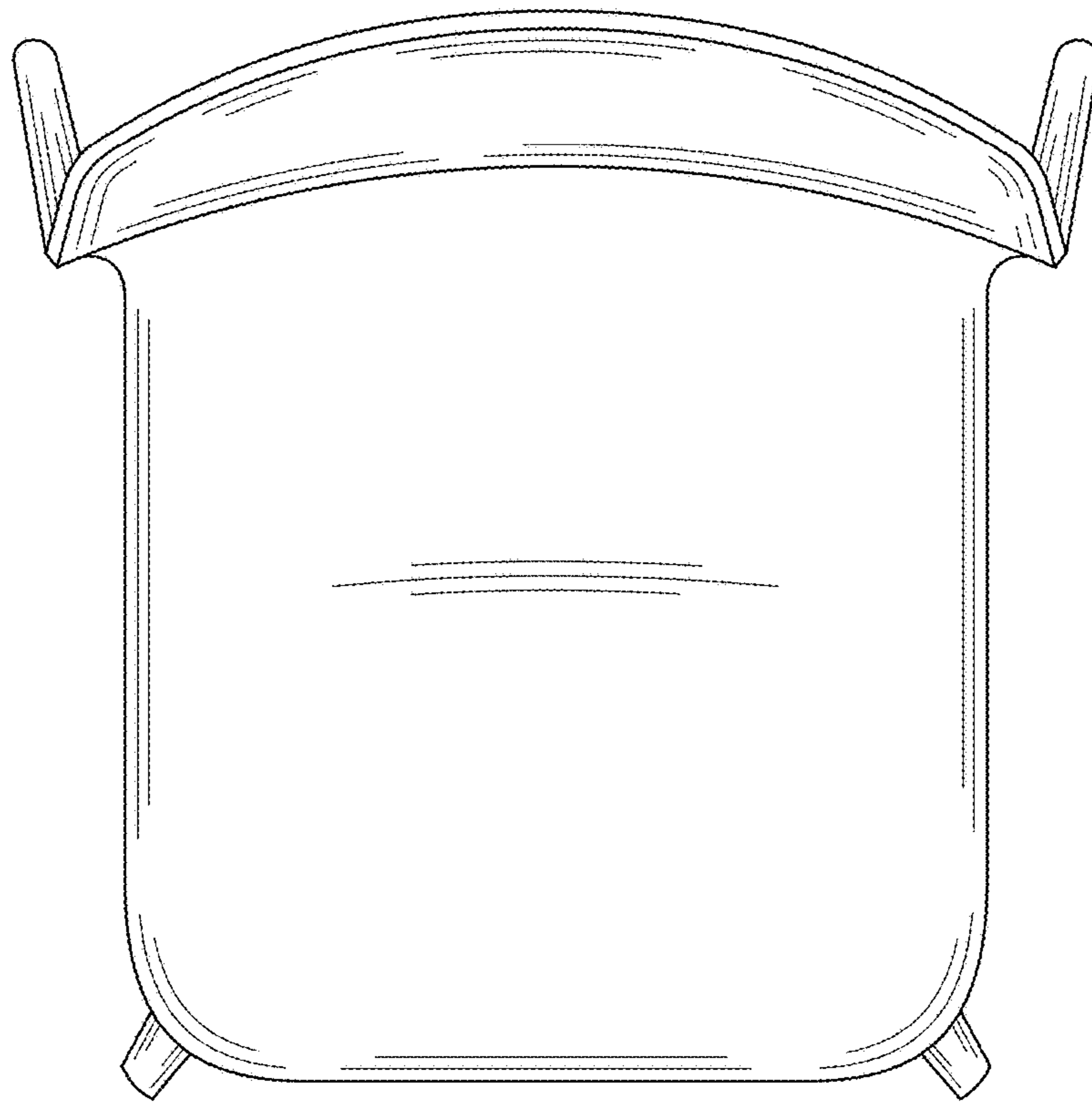


FIG. 4

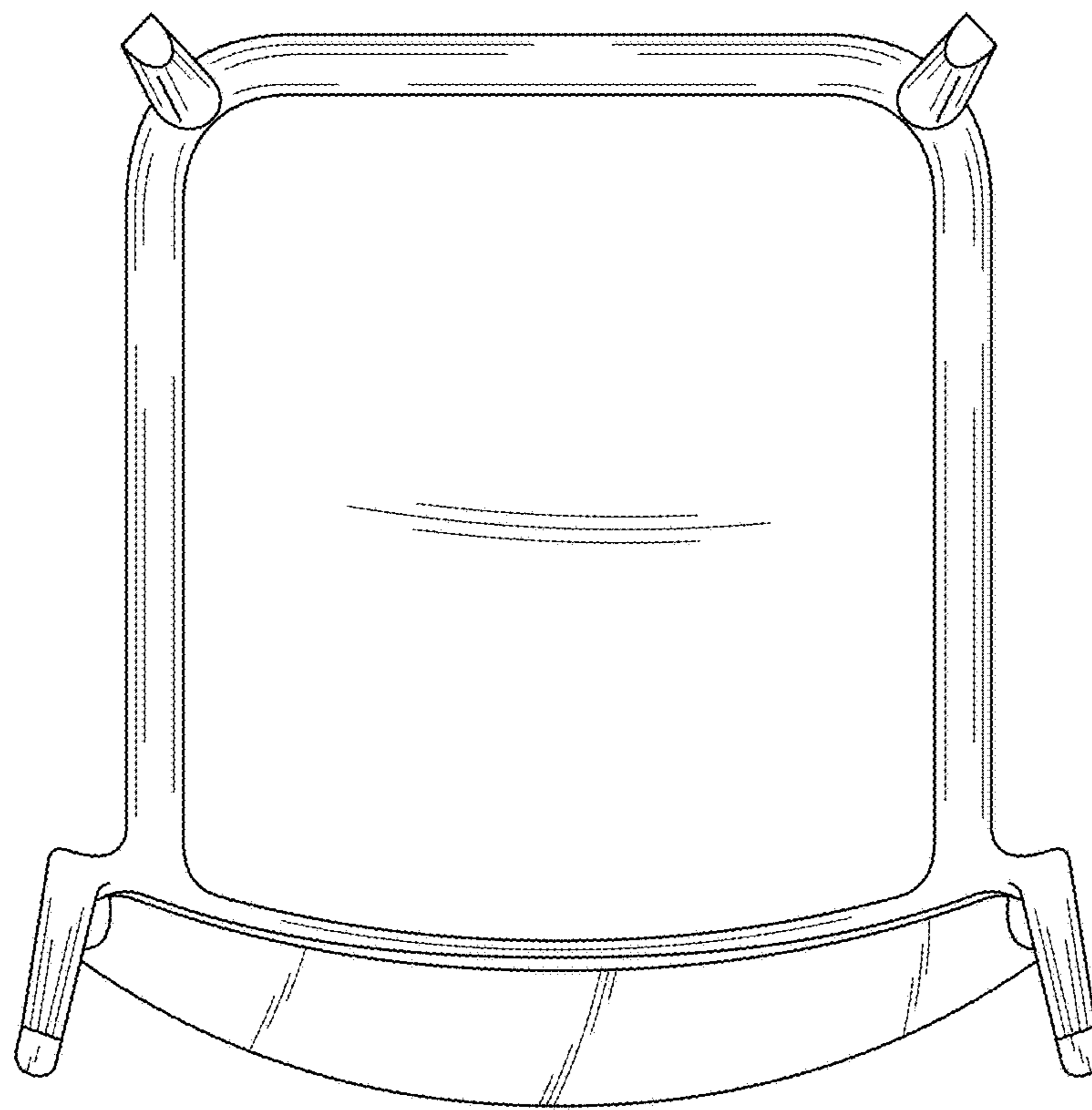


FIG. 5

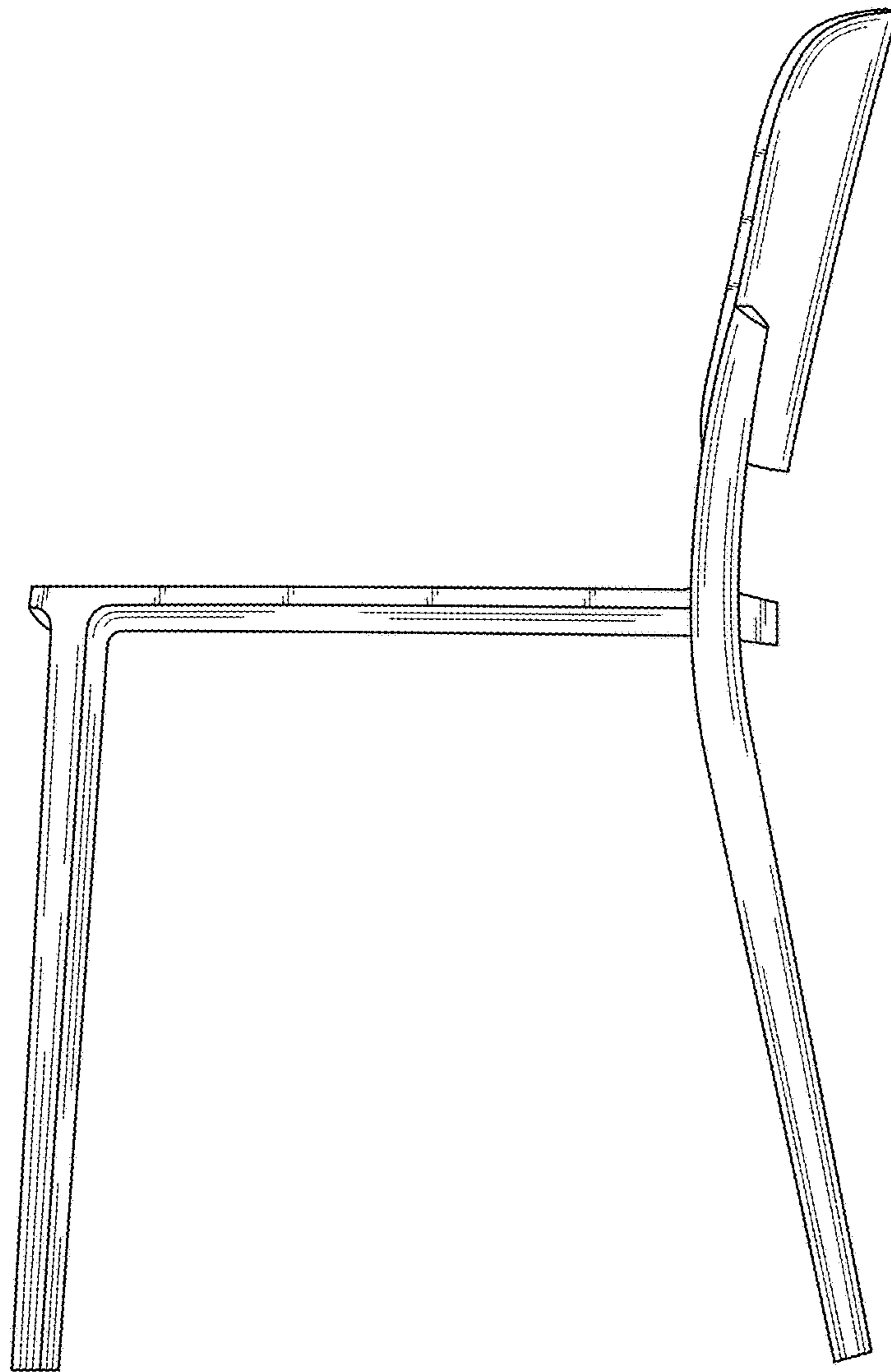


FIG. 6