



US00D857414S

(12) **United States Design Patent**
Inovero

(10) **Patent No.:** **US D857,414 S**

(45) **Date of Patent:** **** Aug. 27, 2019**

(54) **SWIVEL CHAIR**

(71) Applicant: **Bond Manufacturing Co., Inc.**,
Antioch, CA (US)

(72) Inventor: **Trisha Inovero**, Caloocan (PH)

(73) Assignee: **Bond Manufacturing Co., Inc.**,
Antioch, CA (US)

(**) Term: **15 Years**

(21) Appl. No.: **29/669,828**

(22) Filed: **Nov. 12, 2018**

Related U.S. Application Data

(63) Continuation of application No. 29/605,878, filed on
May 31, 2017, now Pat. No. Des. 833,163.

(51) **LOC (12) Cl.** **06-01**

(52) **U.S. Cl.**

USPC **D6/365**

(58) **Field of Classification Search**

USPC D6/334-336, 344, 364, 365, 366, 370,
D6/374, 379, 716, 716.1, 716.2, 716.3,
D6/716.4

CPC A47C 1/032; A47C 3/18; A47C 4/028;
A47C 7/021; A47C 7/18; A47C 7/24

See application file for complete search history.

(56) **References Cited**

U.S. PATENT DOCUMENTS

D299,986 S * 2/1989 Doughty D6/365
D300,090 S * 3/1989 Frinier D6/344

D335,038 S * 4/1993 Tseng D6/365
D335,039 S * 4/1993 Tseng D6/365
D340,361 S * 10/1993 Tseng D6/344
D414,947 S * 10/1999 Liu D6/365
D474,904 S * 5/2003 Ciabatti D6/370
D530,934 S * 10/2006 Tseng D6/365
D588,370 S * 3/2009 Vallet D6/365
D761,032 S * 7/2016 Asner D6/370
D833,163 S * 11/2018 Inovero D6/365

* cited by examiner

Primary Examiner — Mimosa De

(74) *Attorney, Agent, or Firm* — Weide & Miller, Ltd.

(57) **CLAIM**

The ornamental design for a swivel chair, as shown and
described.

DESCRIPTION

FIG. 1 is a perspective view of a swivel chair showing the
new design.

FIG. 2 is a perspective view of a swivel chair showing the
new design

FIG. 3 is a front view of the design shown in FIG. 1.

FIG. 4 is a back view of the design shown in FIG. 1.

FIG. 5 is a right-side view of the design shown in FIG. 1.

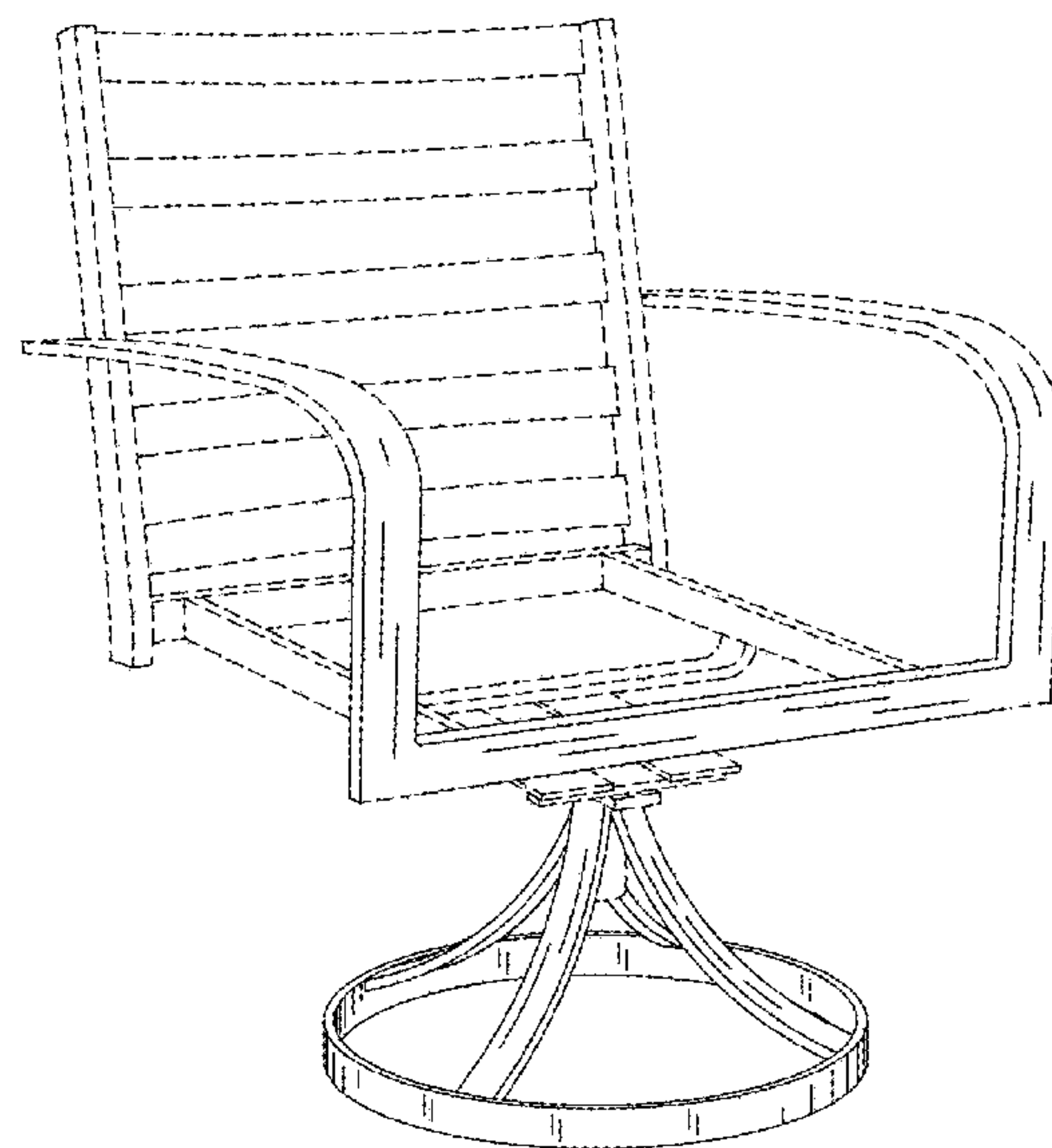
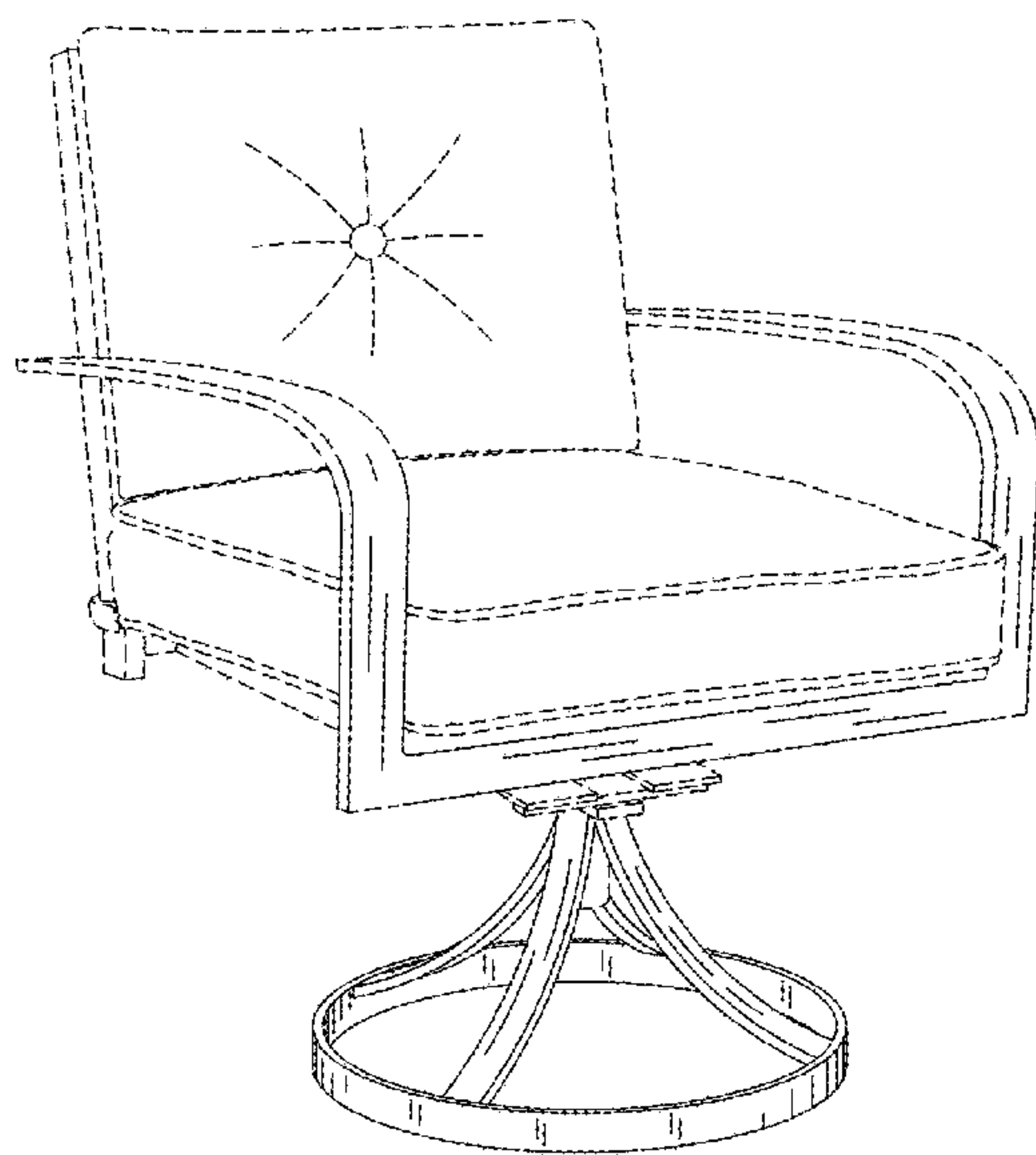
FIG. 6 is a left-side view of the design shown in FIG. 1.

FIG. 7 is a top view of the design shown in FIG. 1; and,

FIG. 8 is a bottom view of the design shown in FIG. 1.

The broken lines indicate unclaimed portions of the article
and form no part of the claimed design.

1 Claim, 8 Drawing Sheets



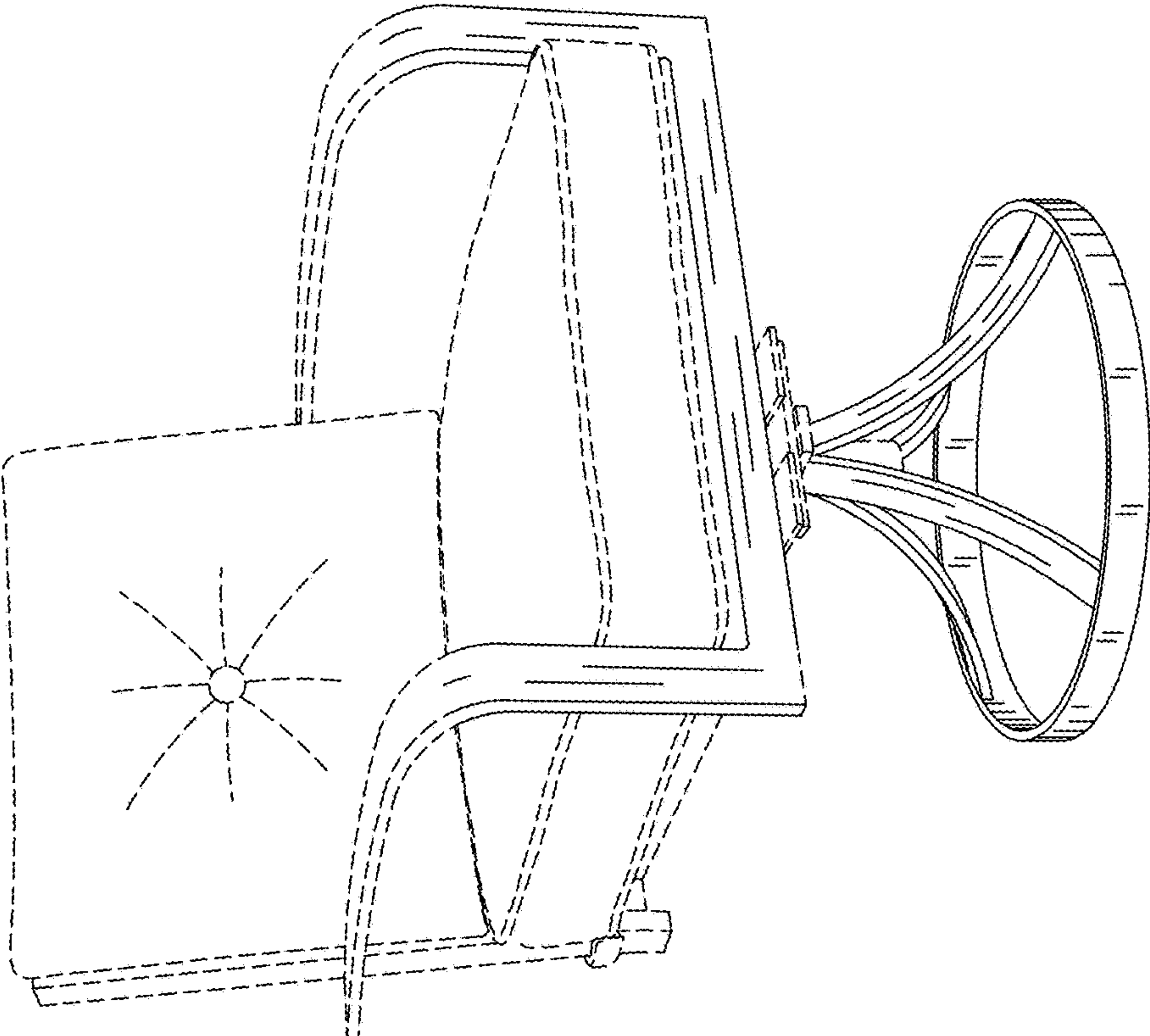


FIG. 1

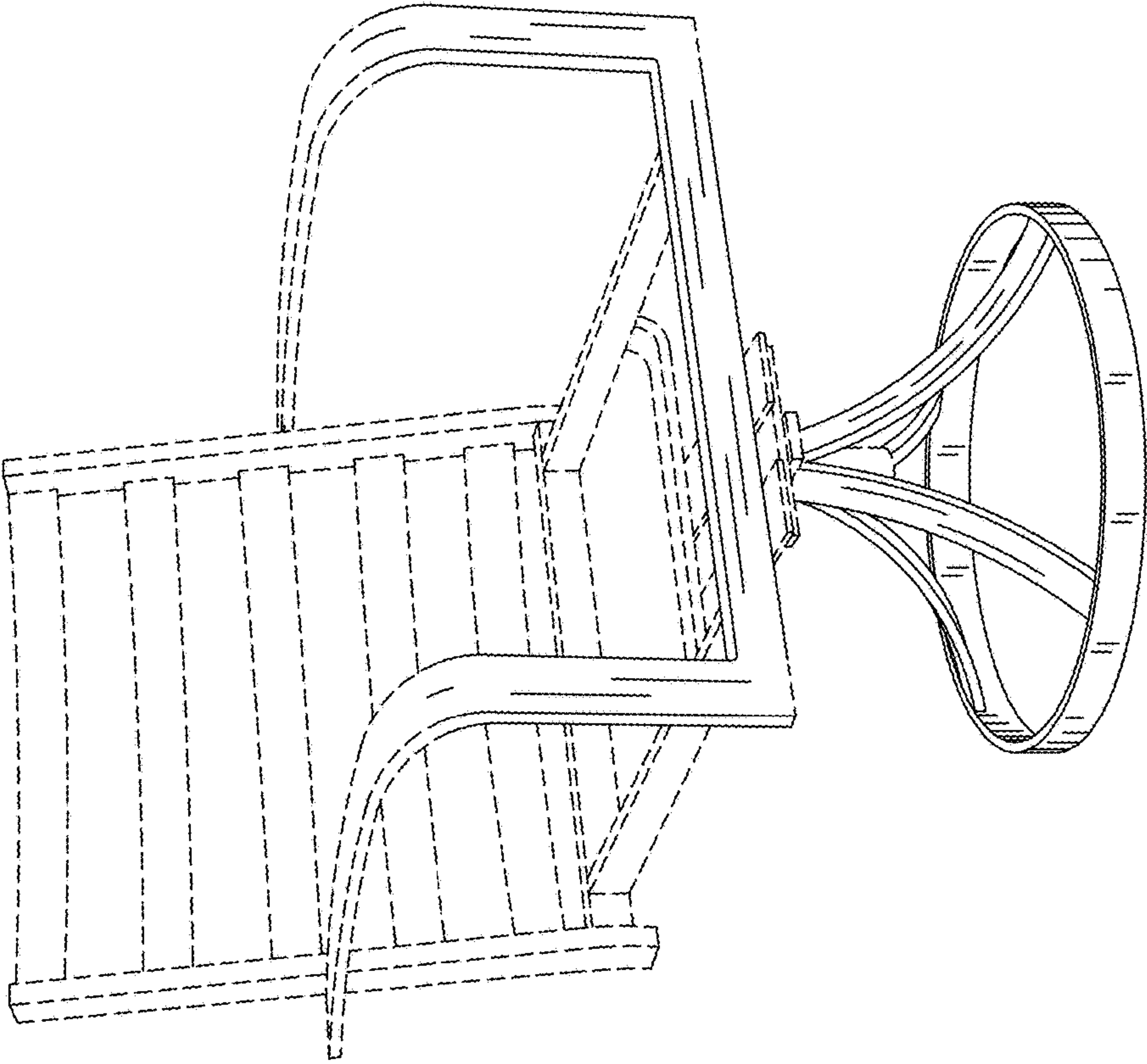


FIG. 2

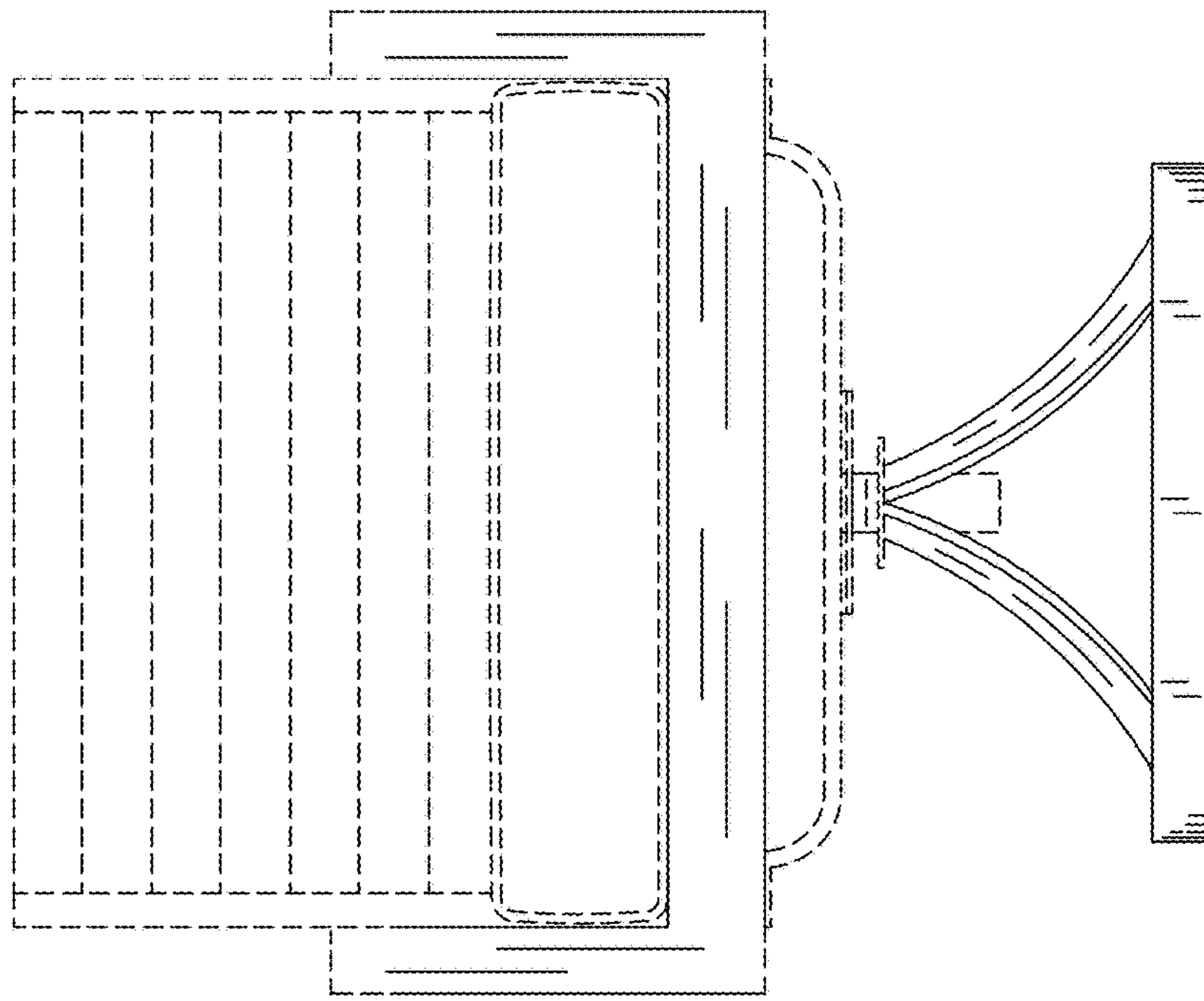


FIG. 3

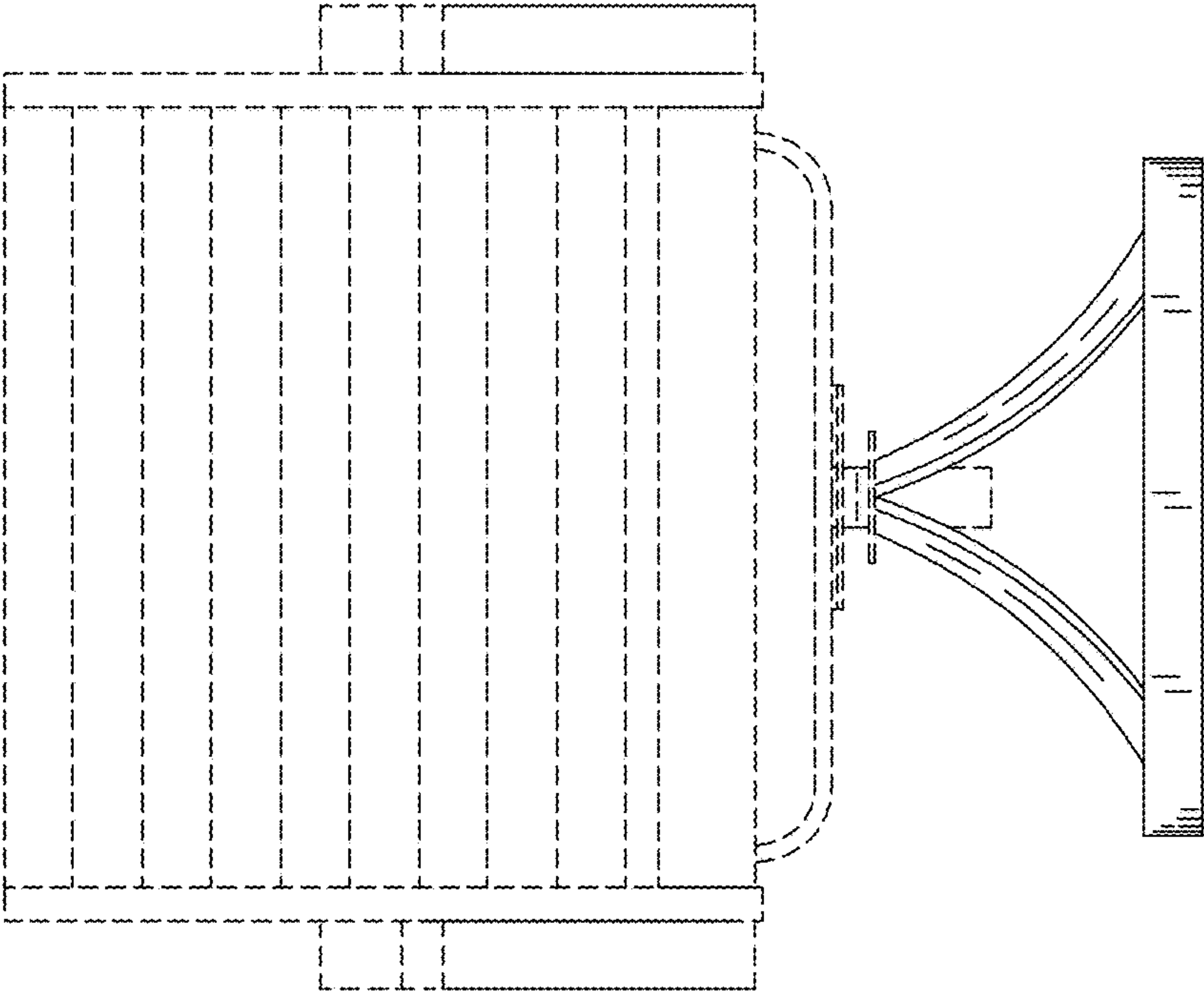


FIG. 4

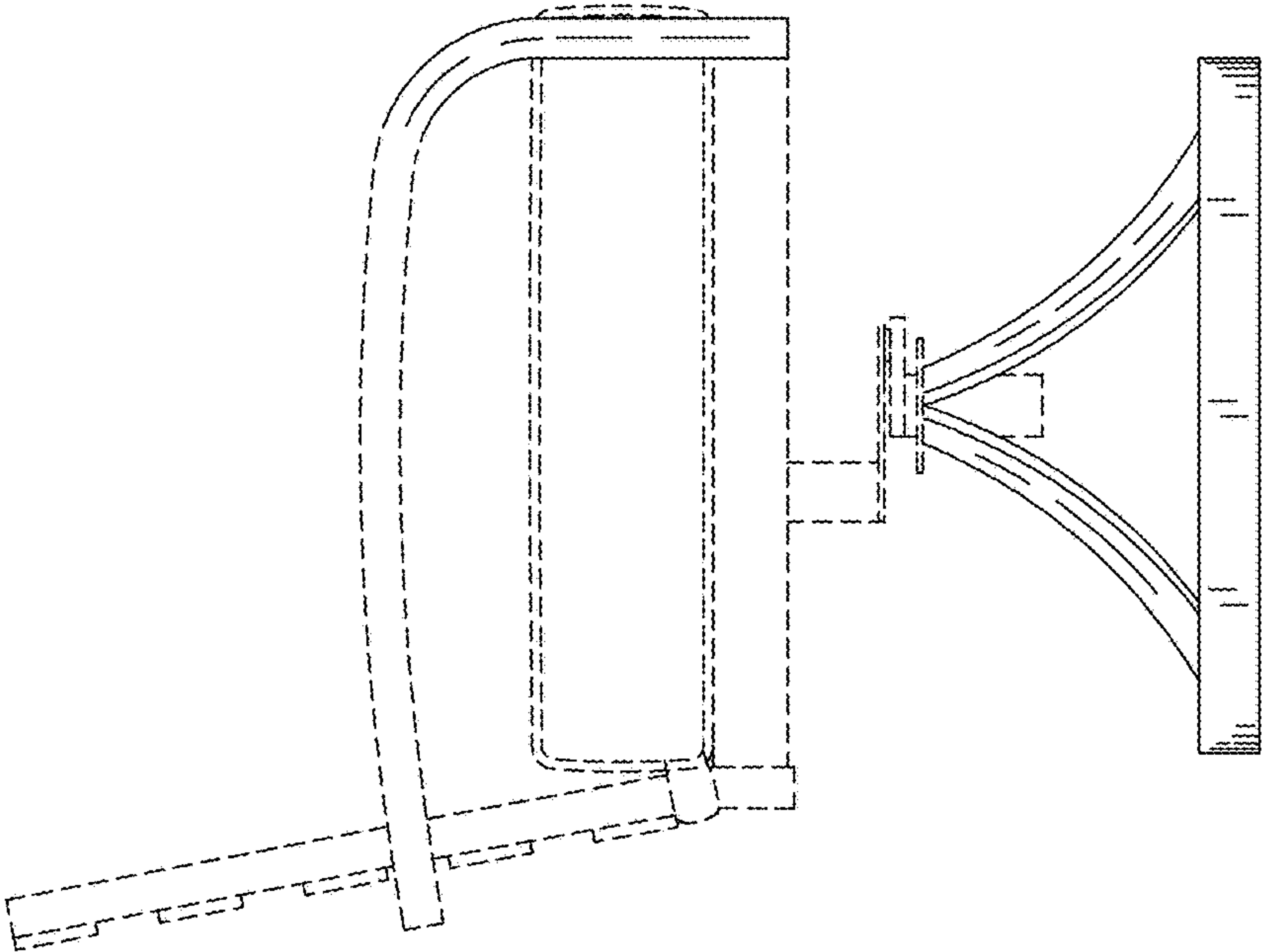


FIG. 5

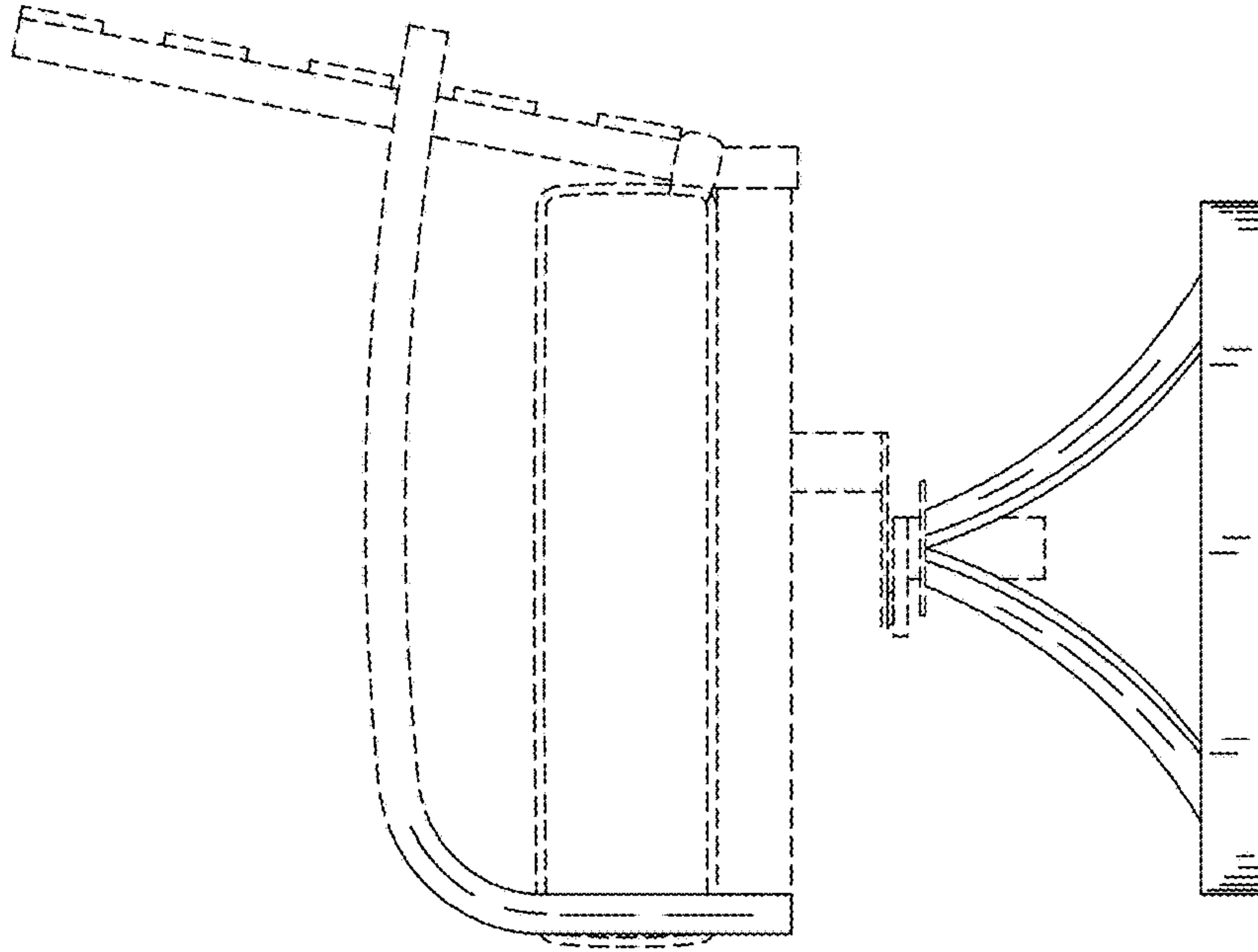


FIG. 6

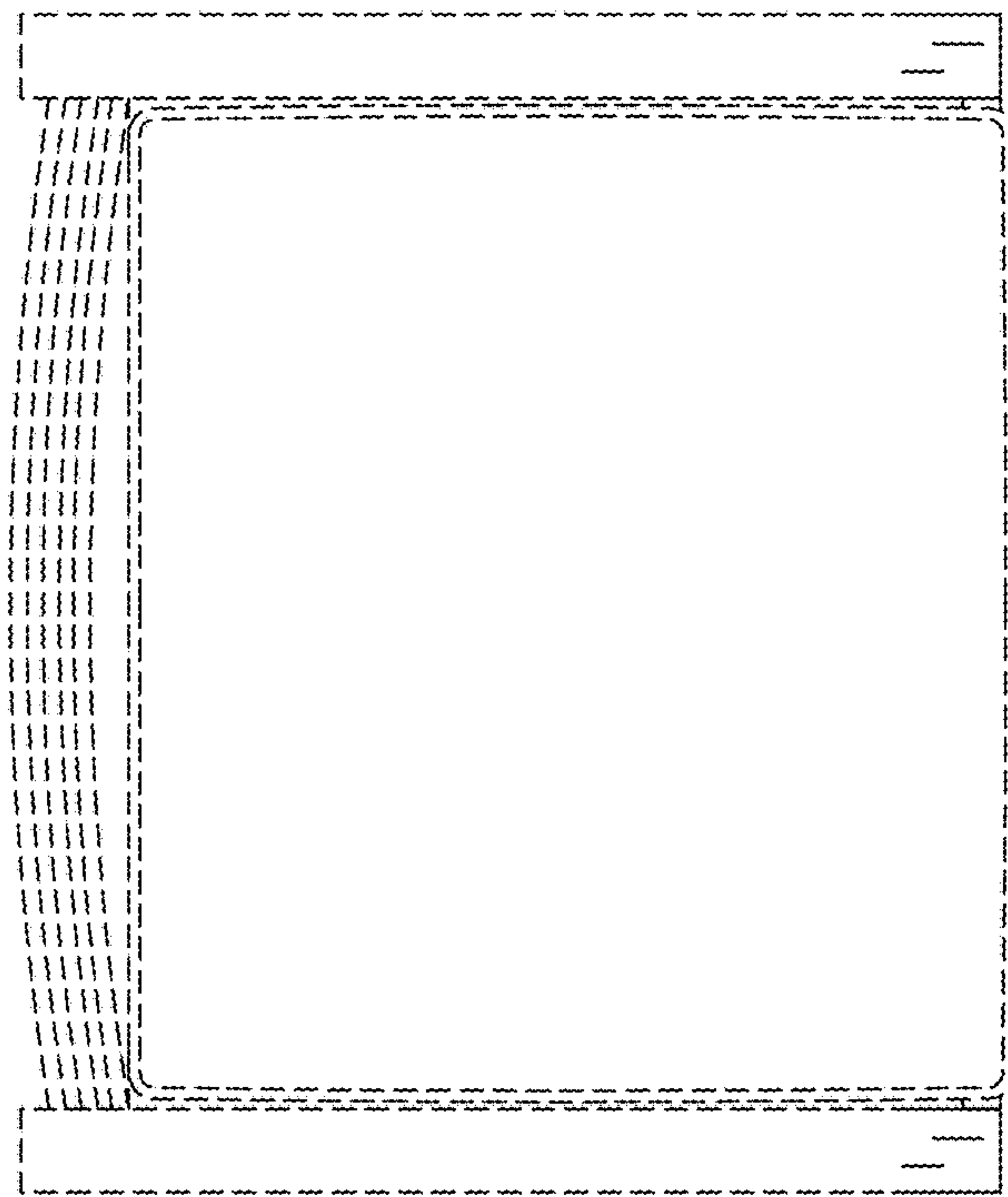


FIG. 7

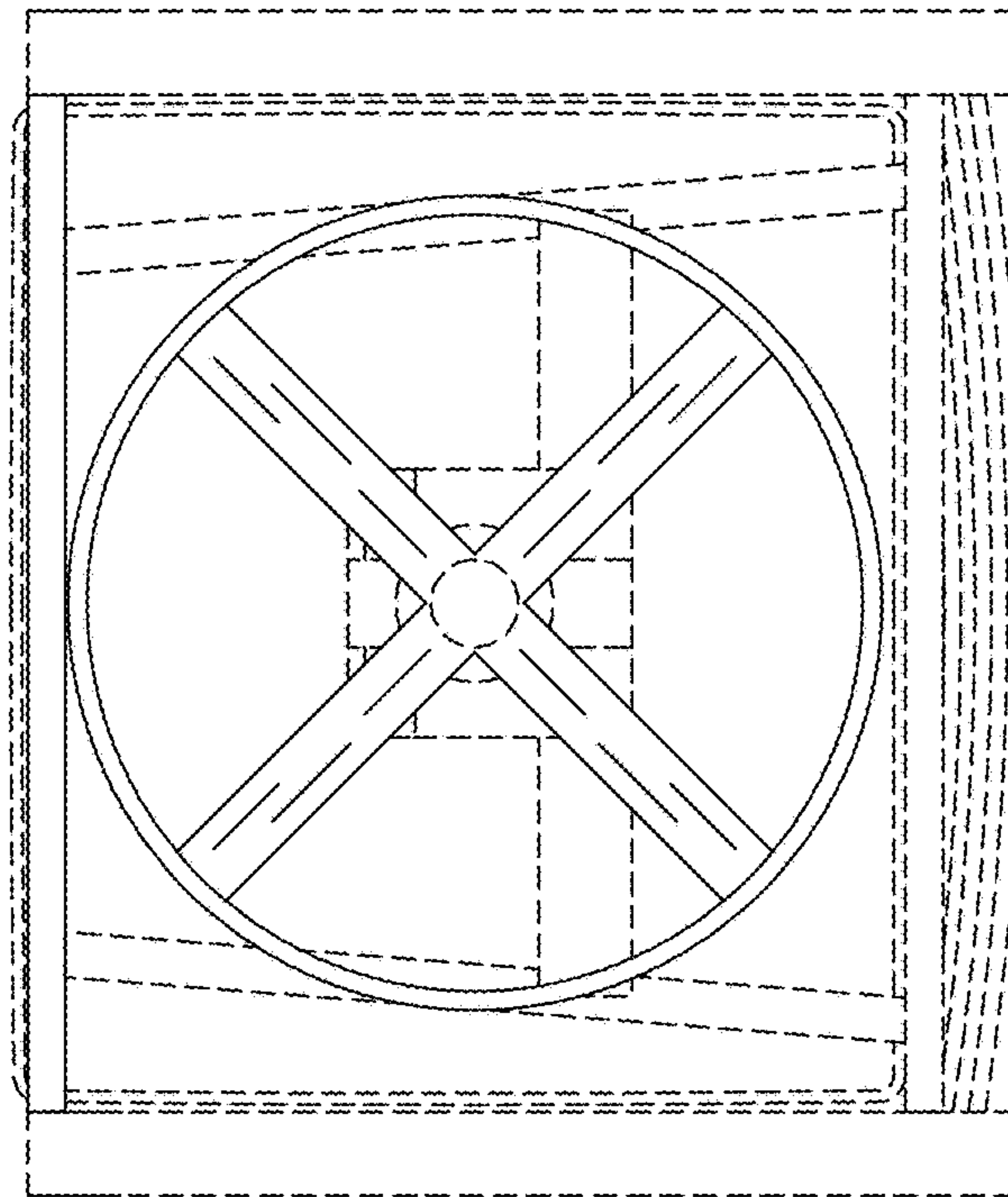


FIG. 8