



US00D857411S

(12) **United States Design Patent**  
**Dow et al.**

(10) **Patent No.:** **US D857,411 S**  
(45) **Date of Patent:** **\*\* Aug. 27, 2019**

- (54) **ROCKING CHAIR**
- (71) Applicants: **Jack F. Dow**, Bowie, TX (US); **Donna K. Dow**, Bowie, TX (US)
- (72) Inventors: **Jack F. Dow**, Bowie, TX (US); **Donna K. Dow**, Bowie, TX (US)
- (\*\*) Term: **15 Years**
- (21) Appl. No.: **29/677,537**
- (22) Filed: **Jan. 22, 2019**
- (51) **LOC (12) Cl.** ..... **06-01**
- (52) **U.S. Cl.**  
USPC ..... **D6/348**
- (58) **Field of Classification Search**  
USPC ..... D6/334-336, 344, 348, 370, 371, 373,  
D6/374, 376, 716, 716.1, 716.2, 716.3,  
D6/716.4  
CPC .. A47C 3/02; A47C 4/03; A47C 3/023; A47C  
3/029; A47C 4/022; A47C 7/16; A47D  
13/02  
See application file for complete search history.

- D545,579 S \* 7/2007 Stilwell ..... D6/344
- D680,339 S 4/2013 Asner
- D761,030 S 7/2016 Proserpio
- 9,586,084 B2 3/2017 Duke
- D816,357 S 5/2018 Hagan et al.

**OTHER PUBLICATIONS**

Pair of Woodard Wrought Iron Rocking Chairs. Product listing [online]. © 1stdibs, Inc. 2019 [retrieved on May 23, 2018]. Retrieved from the Internet: <URL:https://www.1stdibs.com/furniture/seating/rocking-chairs/pair-of-woodard-wrought-iron-rocking-chairs/id-f\_4458653/>.

Rocker Wrought Iron Outdoor Patio Porch New Furniture Rocking Chair Backyard NEW. Product listing [online]. Copyright © 1995-2019 eBay Inc. [retrieved on May 23, 2018]. Retrieved from the Internet: <URL:https://www.ebay.com/it/Wood-Rocking-Chair-Porch-Rocker-Patio-Deck-Garden-Backyard-Furniture-White-New-/302741283157?oid=271314690390>.

(Continued)

*Primary Examiner* — Mimosa De  
(74) *Attorney, Agent, or Firm* — Cramer Patent & Design, PLLC; Aaron R. Cramer

(57) **CLAIM**

The ornamental design for a rocking chair, as shown and described.

**DESCRIPTION**

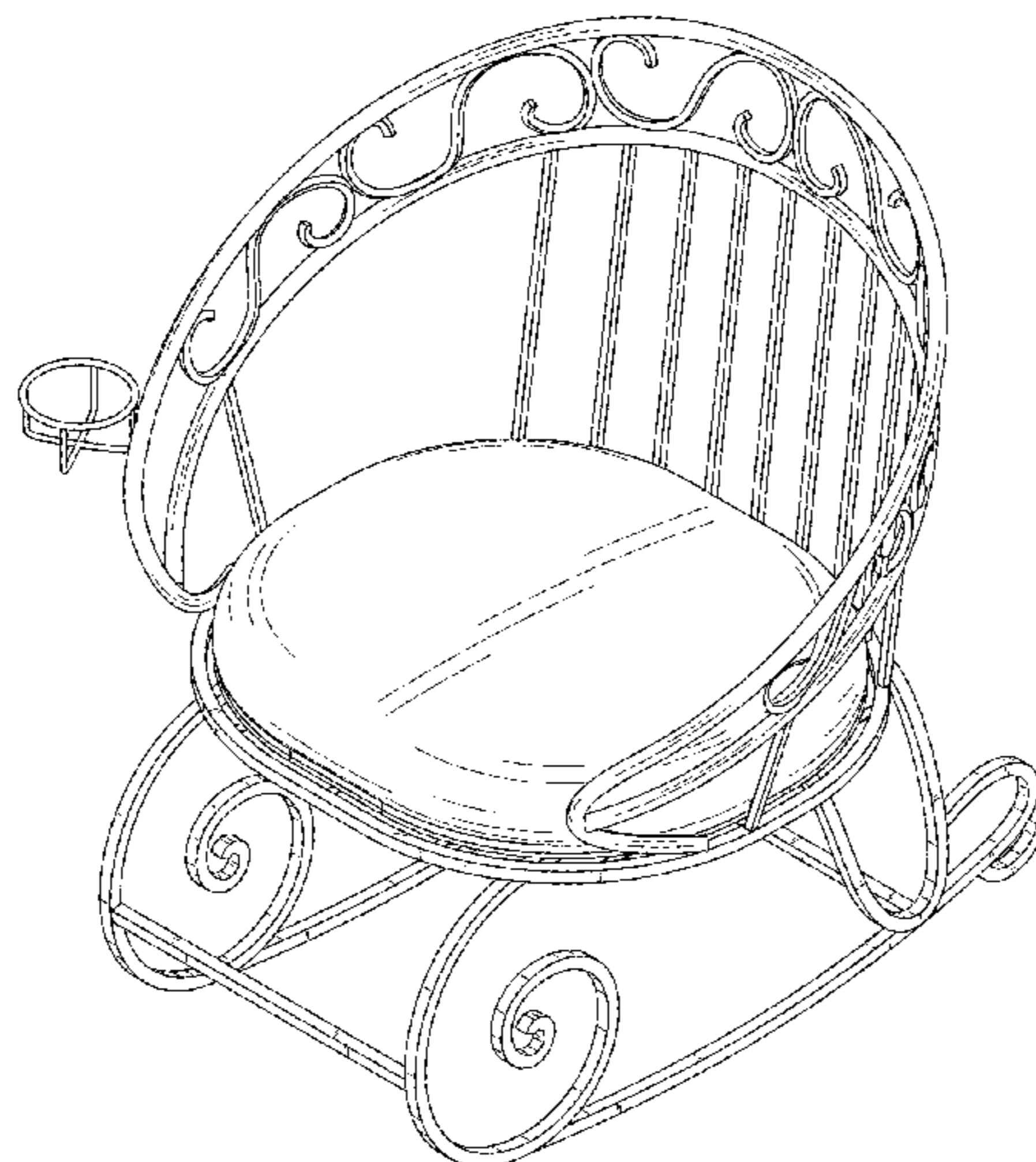
FIG. 1 is a perspective top front right view of a rocking chair, showing our new design;  
FIG. 2 is a perspective top rear left view thereof;  
FIG. 3 is a front elevation view thereof;  
FIG. 4 is a rear elevation view thereof;  
FIG. 5 is a right elevation view thereof;  
FIG. 6 is a left elevation view thereof;  
FIG. 7 is a top plan view thereof; and,  
FIG. 8 is a bottom plan view thereof.

**1 Claim, 8 Drawing Sheets**

(56) **References Cited**

**U.S. PATENT DOCUMENTS**

- D9,887 S \* 4/1877 Goodwin ..... D6/348
- D35,681 S \* 2/1902 Schumacher ..... 297/271.6
- D98,698 S \* 2/1936 Terker ..... 297/411.42
- D101,569 S \* 10/1936 Vavrik ..... D6/348
- 2,274,117 A \* 2/1942 Zerbee ..... A47C 3/02  
297/302.1
- D141,550 S \* 6/1945 Edelson ..... 297/271.6
- D241,289 S \* 9/1976 Lishman ..... D6/348
- D254,829 S \* 4/1980 Gass ..... D6/347
- D266,118 S \* 9/1982 Wexler ..... D6/348
- D418,321 S \* 1/2000 Regensburg ..... D6/372
- D435,980 S \* 1/2001 Lin ..... D6/376
- D445,582 S \* 7/2001 Rehmert ..... D6/376



(56)

**References Cited**

## OTHER PUBLICATIONS

1950s Red Metal Mesh and Black Iron Frame Child Rocker. Product listing [online]. © 1stdibs, Inc. 2019 [retrieved on May 23, 2018]. Retrieved from the Internet: <URL:[https://www.1stdibs.com/furniture/seating/rocking-chairs/1950s-red-metal-mesh-black-iron-frame-child-rocker/id-f\\_1156082/](https://www.1stdibs.com/furniture/seating/rocking-chairs/1950s-red-metal-mesh-black-iron-frame-child-rocker/id-f_1156082/)>.

Mid Century Salterini White Wrought Iron Rocking Chair Rocker by John Salterini. Product listing [online]. © 1stdibs, Inc. 2019 [retrieved on May 23, 2018]. Retrieved from the Internet: <URL:<https://www.1stdibs.com/search/furniture/?q=rare%20salterini%20rocking>>.

Vintage Outdoor Wrought Iron Metal Kids Childs Rocking Chair. Product listing [online]. Pinterest.com [retrieved on May 23, 2018]. Retrieved from the Internet: <URL:<https://www.pinterest.com/pin/336081190915557296/>>.

ZENY Patio Rocking Chair Wrought Iron Porch Decorative Metal Glider Rocker Outdoor Backyard Garden High Back Seat. Product listing [online]. Copyright 2018 © Wall's Backyard [retrieved on May 23, 2018]. Retrieved from the Internet: <URL:<https://wallsbackyard.com/product/zeny-patio-rocking-chair-wrought-iron-porch-decorative-metal-glider-rocker-outdoor-backyard-garden-high-back-seat/>>.

Bastille-wrought-iron-rocking-chair. Product [online]. Copyright 2018 © Wall's Backyard [retrieved on May 23, 2018]. Retrieved from the Internet: <URL:<http://www.primrose.co.uk/bastille-wrought-iron-rocking-chair-pi-1783.html>>.

\* cited by examiner

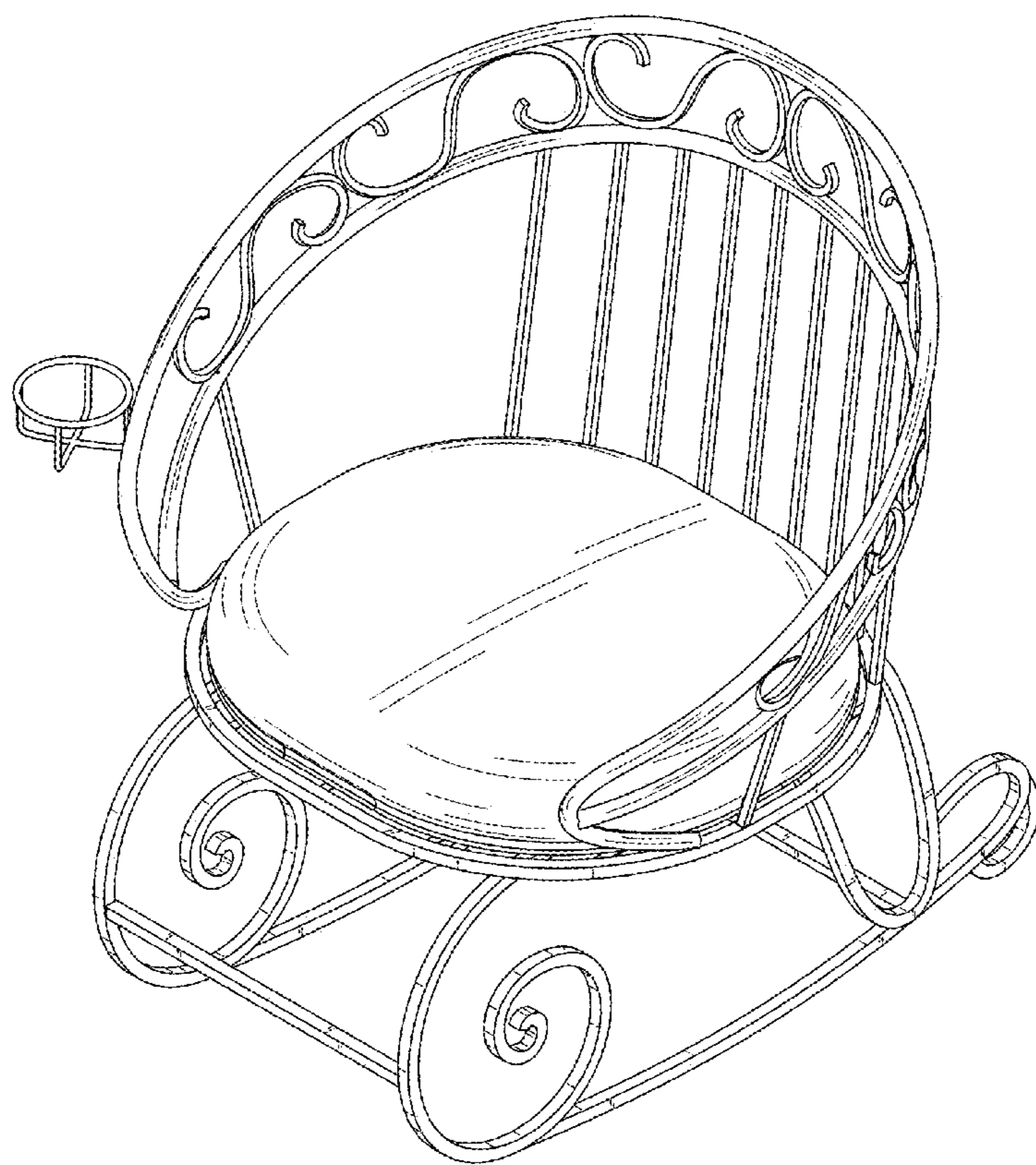


FIG. 1

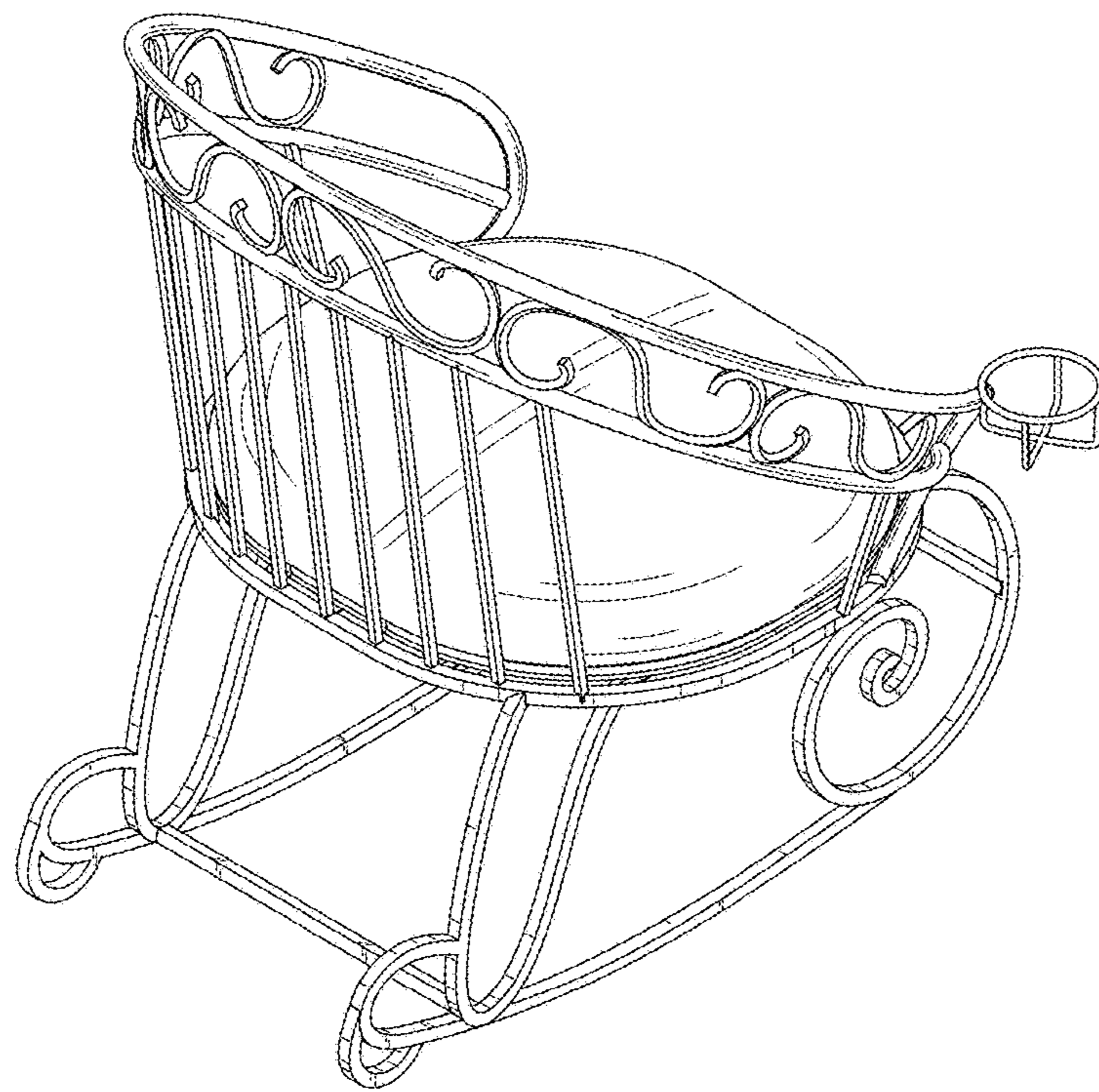


FIG. 2

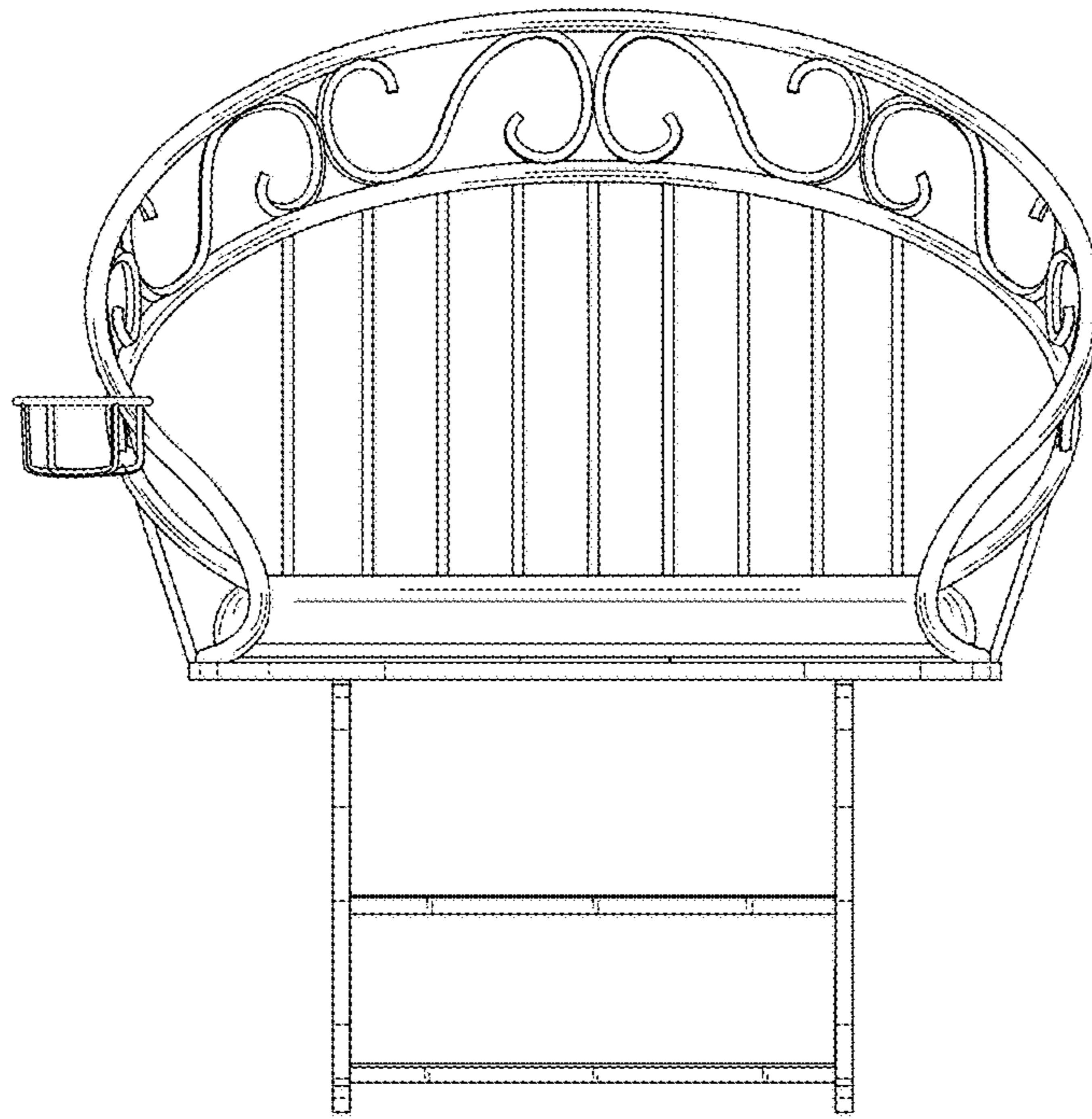


FIG. 3

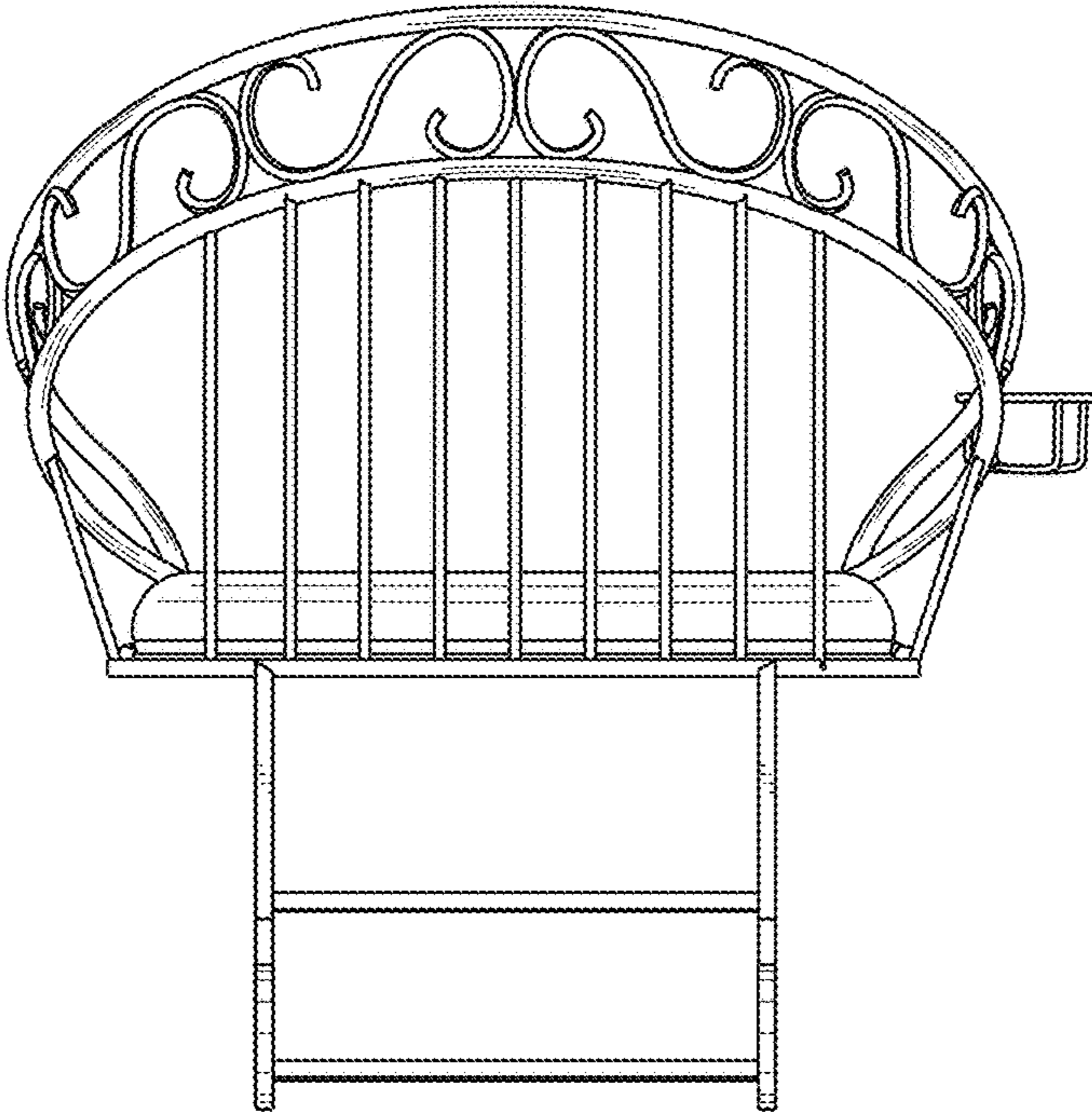


FIG. 4

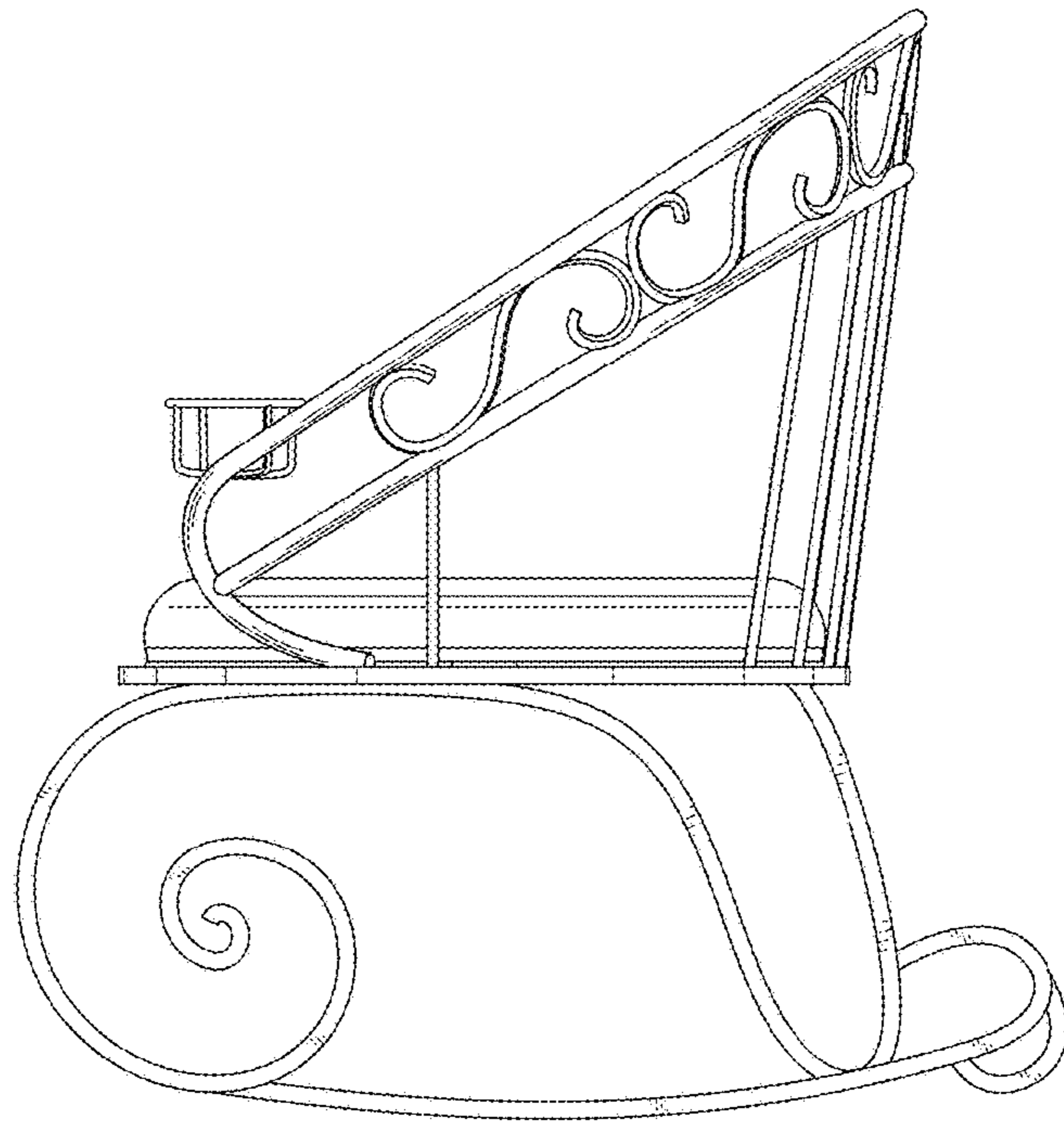


FIG. 5

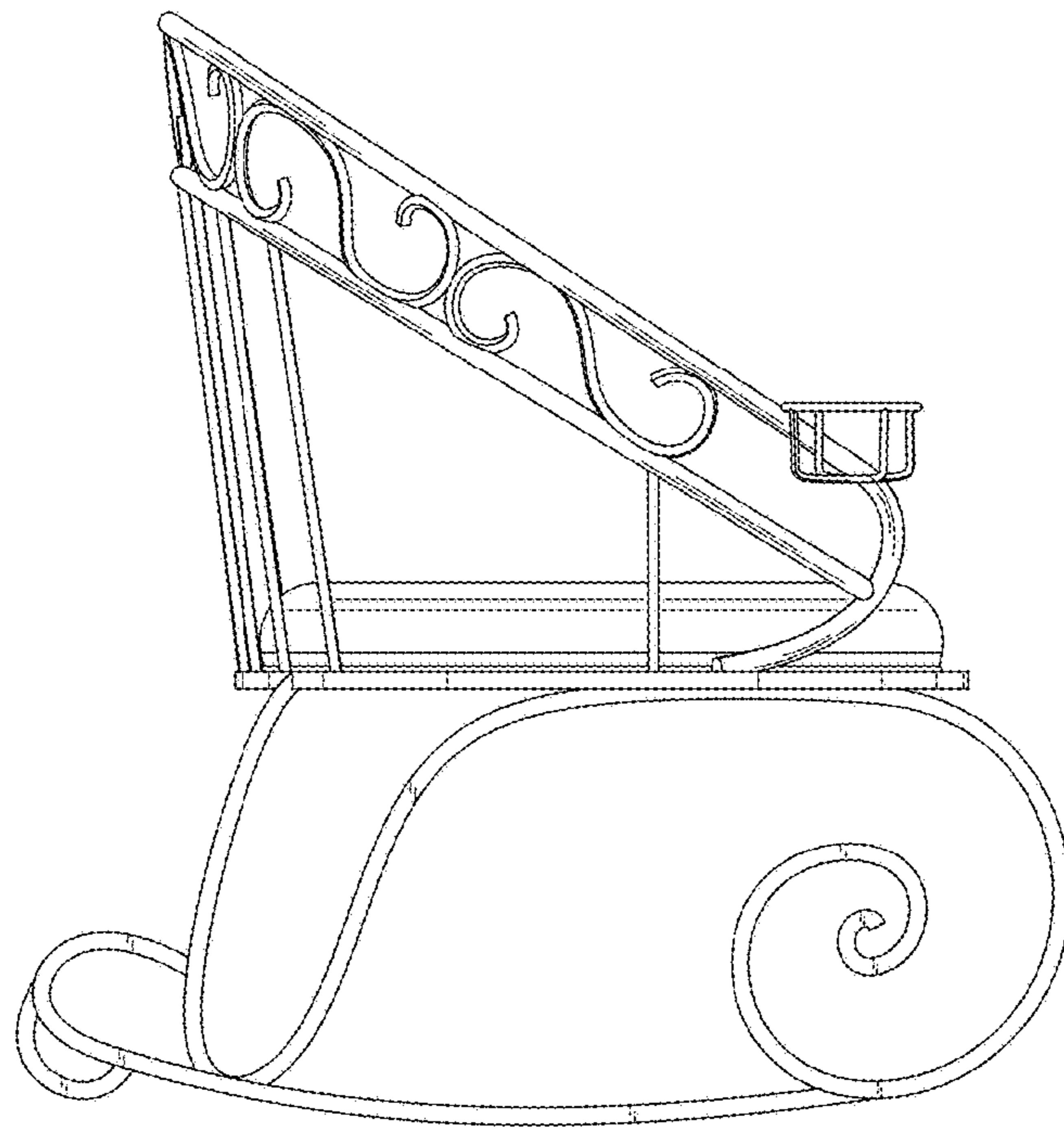


FIG. 6



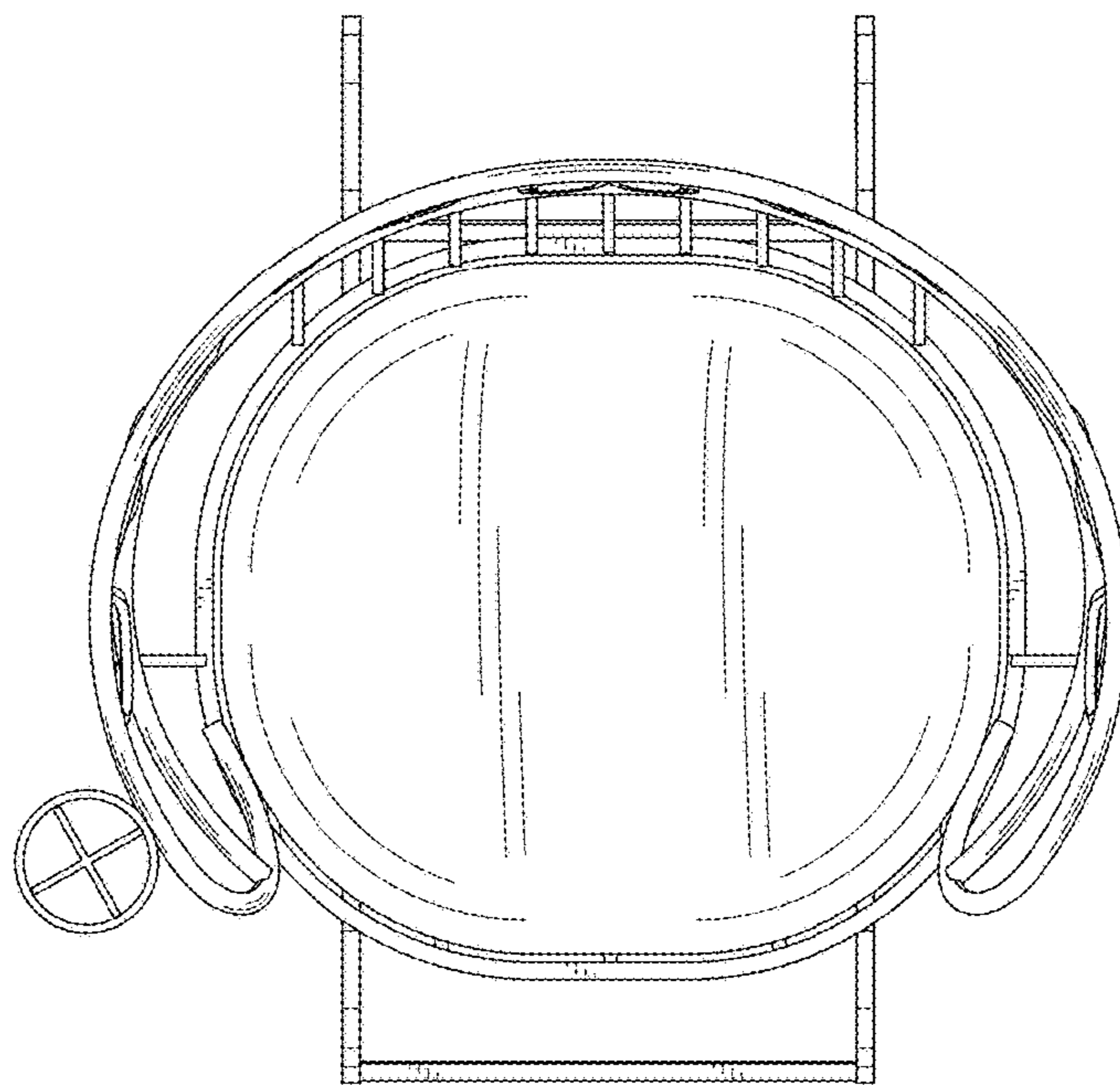


FIG. 7

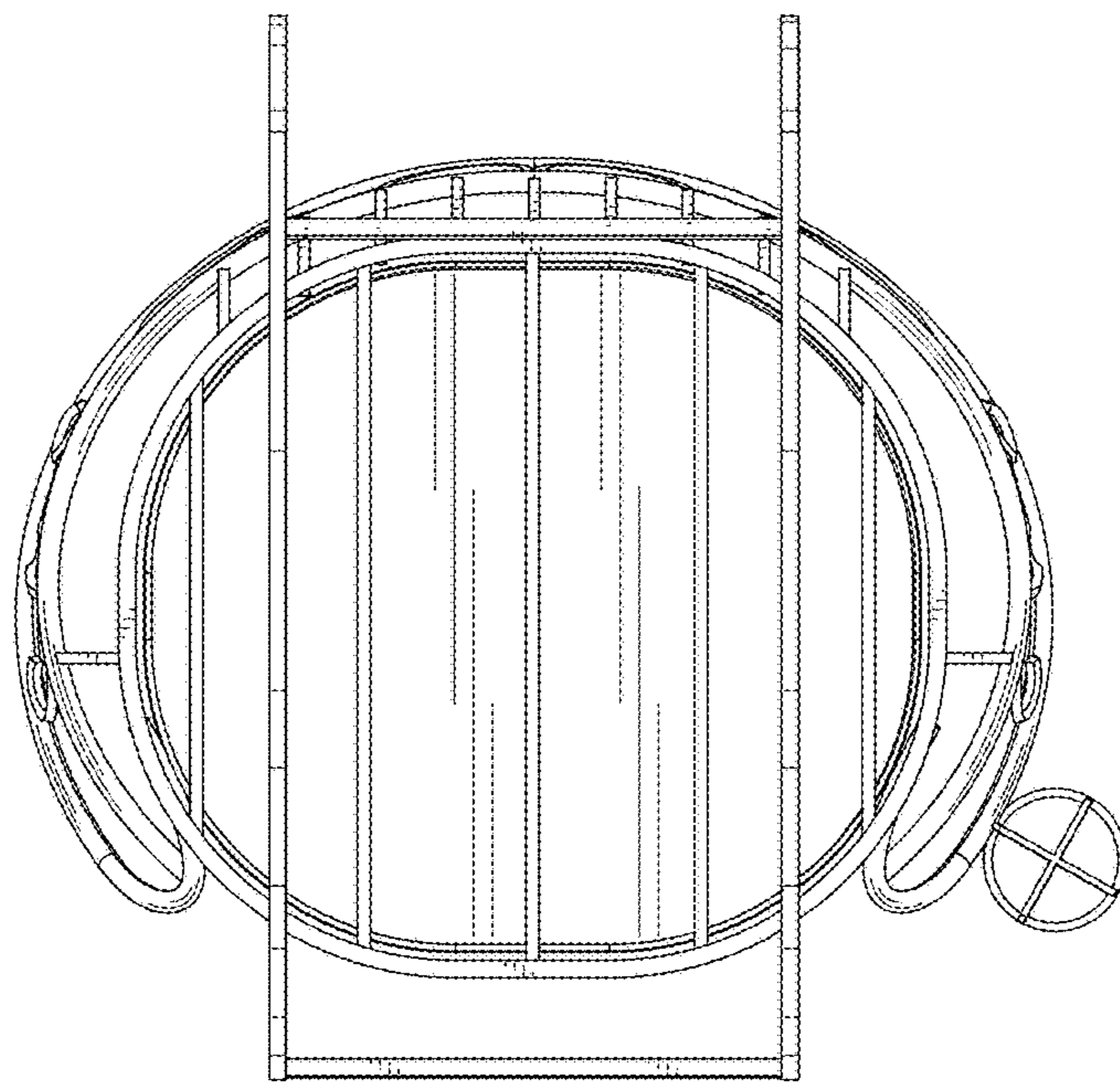


FIG. 8