



US00D857410S

(12) **United States Design Patent** (10) **Patent No.:** **US D857,410 S**
Liu (45) **Date of Patent:** **** Aug. 27, 2019**

(54) **SALON CHAIR**

(71) Applicant: **Guangzhou Tian Gang Investment Management Co., Ltd.**, Guangzhou, Guangdong (CN)

(72) Inventor: **Feng Liu**, Guangdong (CN)

(73) Assignee: **GUANGZHOU TIAN GANG INVESTMENT MANAGEMENT CO., LTD.**, Guangzhou (CN)

(**) Term: **15 Years**

(21) Appl. No.: **29/594,567**

(22) Filed: **Feb. 21, 2017**

(30) **Foreign Application Priority Data**

Aug. 26, 2016 (CN) 2016 3 0428740

(51) **LOC (12) Cl.** **06-01**

(52) **U.S. Cl.**
USPC **D6/335; D6/367**

(58) **Field of Classification Search**

USPC D6/335, 336, 338, 364, 367, 708.18;
D28/10, 11, 12, 17, 56

CPC A47C 1/04; A47C 1/06; A61N 5/0617;
A45D 20/20

See application file for complete search history.

(56) **References Cited**

U.S. PATENT DOCUMENTS

D107,156 S * 11/1937 Schleimer D28/11
D342,165 S * 12/1993 Marshall D6/335

D418,686 S * 1/2000 Smith D6/367
D477,111 S * 7/2003 Zimmermann D28/17
D508,617 S * 8/2005 Potter D6/367
D527,490 S * 8/2006 Patzak D28/17
D531,420 S * 11/2006 Kita D6/364
D600,033 S * 9/2009 Natuzzi D6/364
D608,551 S * 1/2010 Takada D6/335
D672,975 S * 12/2012 Rashid D6/335
D674,540 S * 1/2013 Kabetani D28/17
D680,223 S * 4/2013 Jamison D24/178
D704,947 S * 5/2014 Zhou Honglie D6/367
D724,855 S * 3/2015 Kim D6/336
D806,441 S * 1/2018 Pan D6/601
D836,354 S * 12/2018 Cai D6/367

* cited by examiner

Primary Examiner — Deanna L Pratt

(74) *Attorney, Agent, or Firm* — Hauptman Ham, LLP

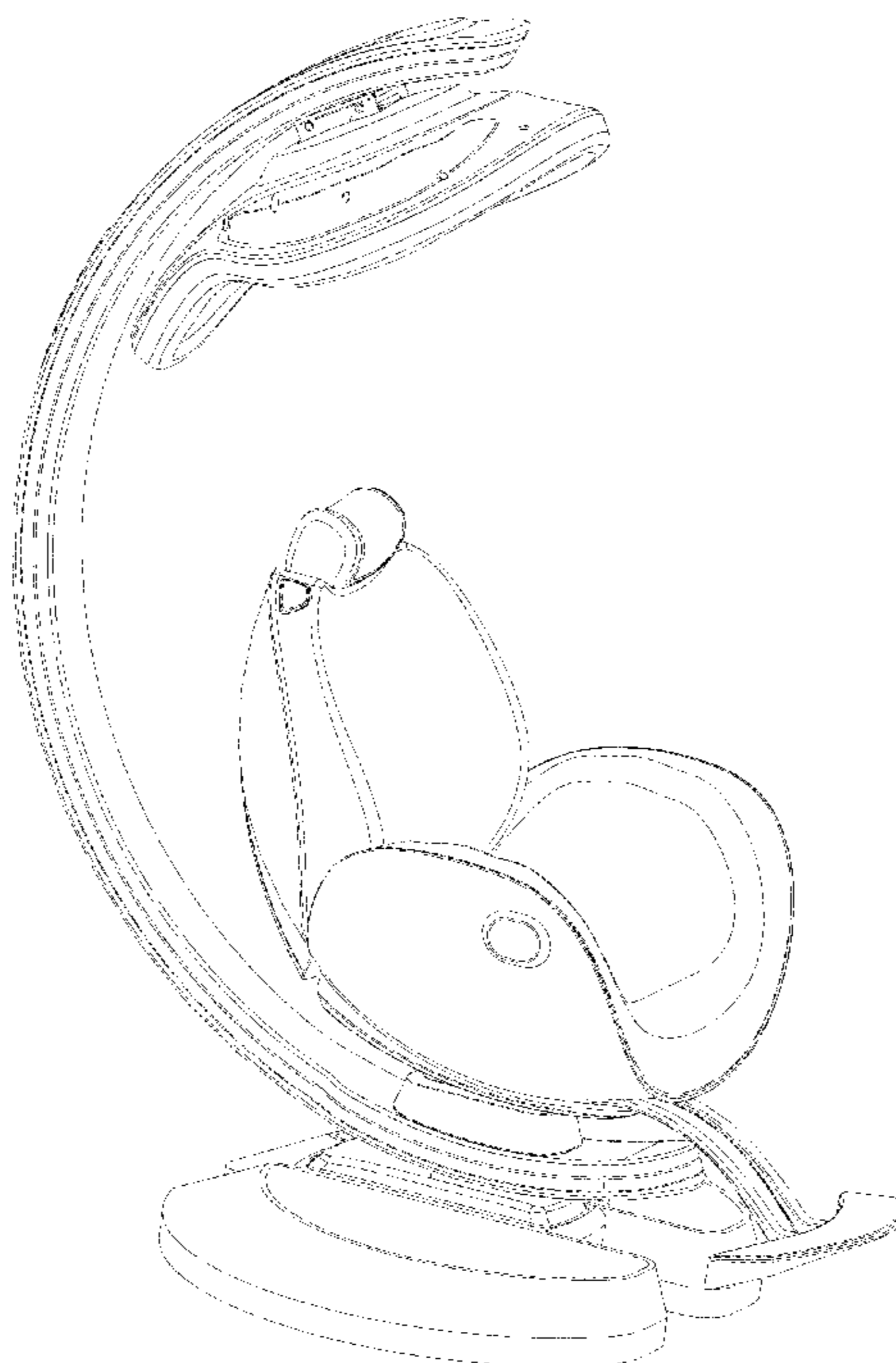
(57) **CLAIM**

The ornamental design for a salon chair, as shown.

DESCRIPTION

FIG. 1 is a right side view of a salon chair;
FIG. 2 is a left side view thereof;
FIG. 3 is a front view thereof;
FIG. 4 is a back view thereof;
FIG. 5 is a top view thereof;
FIG. 6 is a bottom view thereof;
FIG. 7 is a front left perspective view thereof;
FIG. 8 is a bottom right perspective view thereof; and,
FIG. 9 is a back right perspective view thereof.

1 Claim, 9 Drawing Sheets



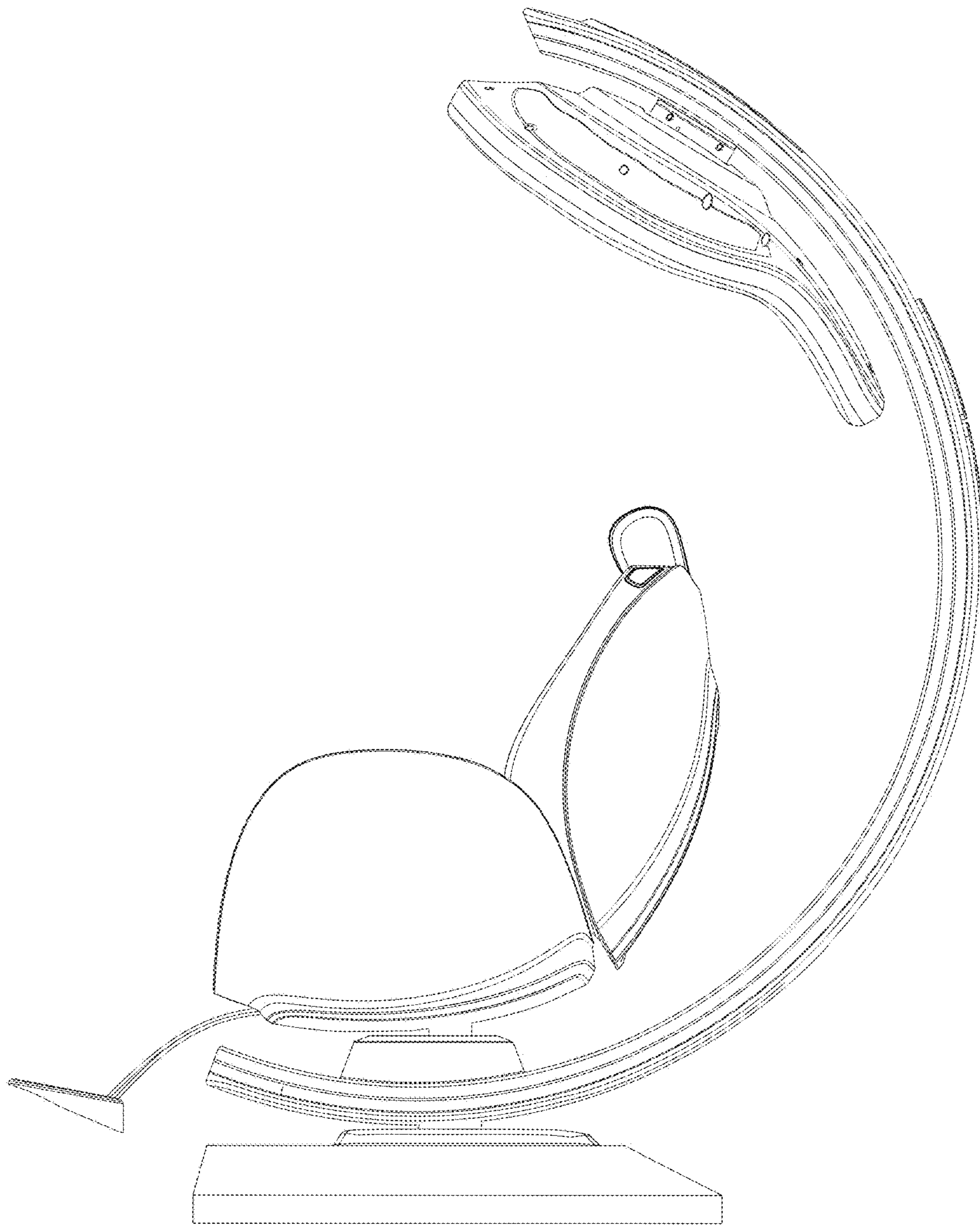


FIG. 1

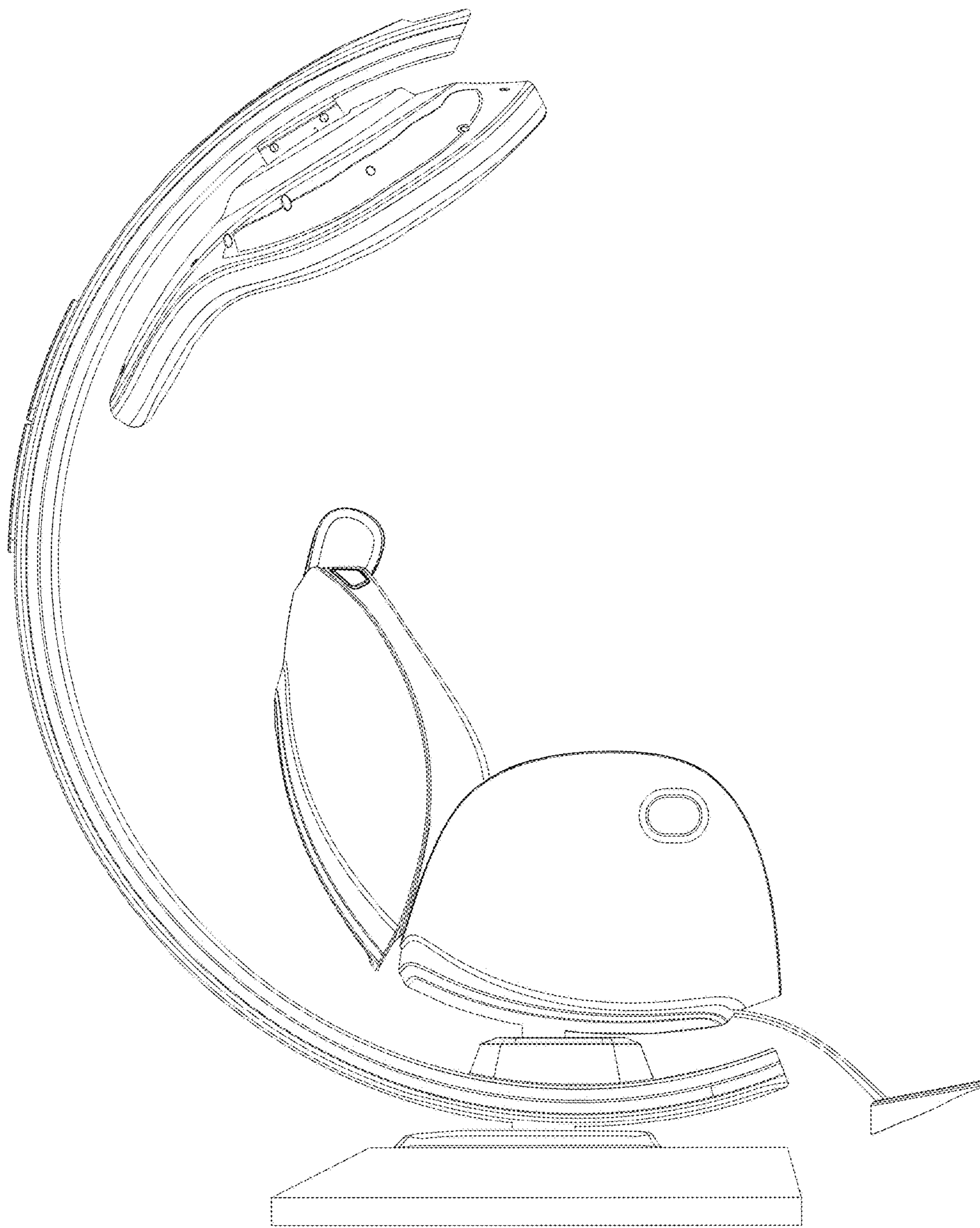


FIG. 2

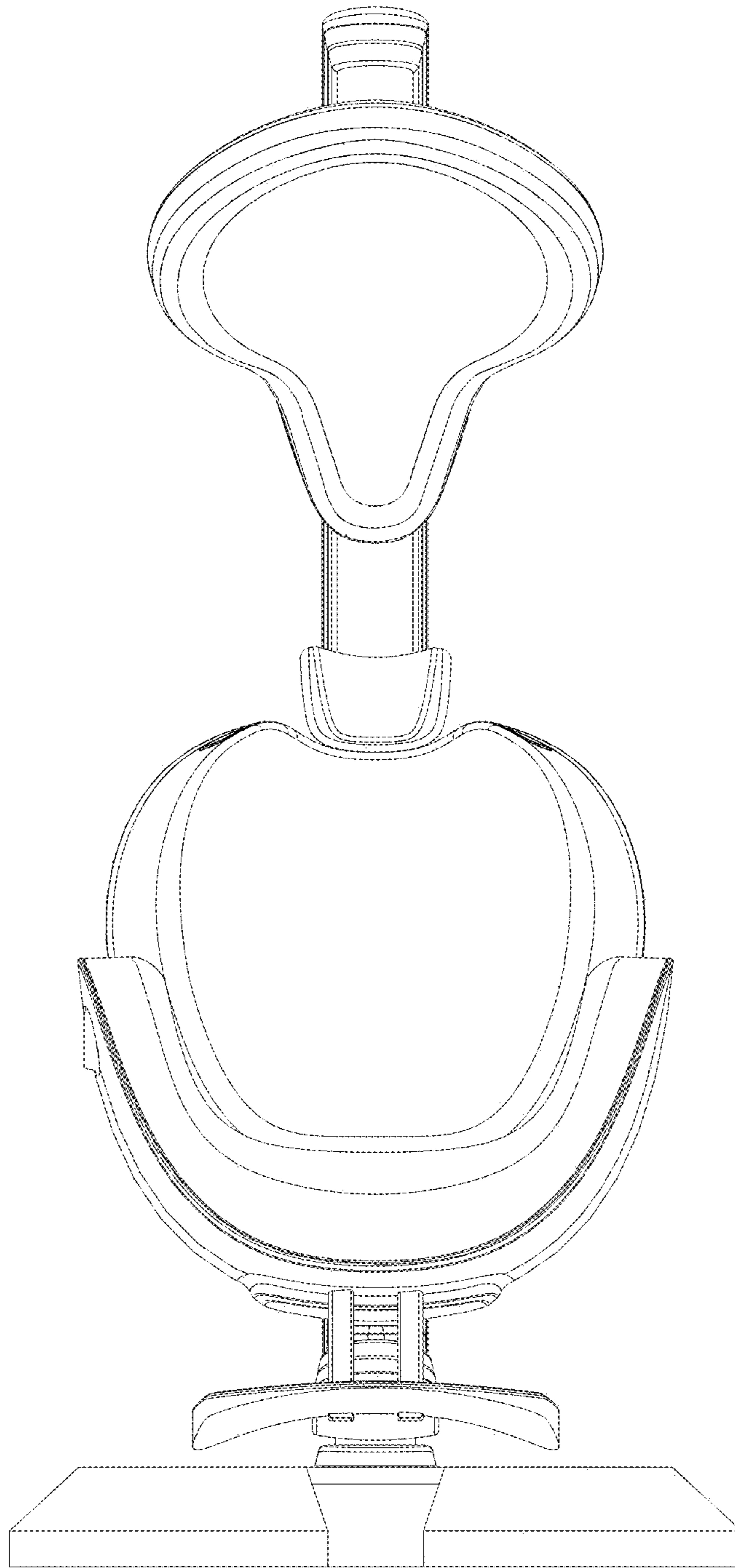


FIG. 3

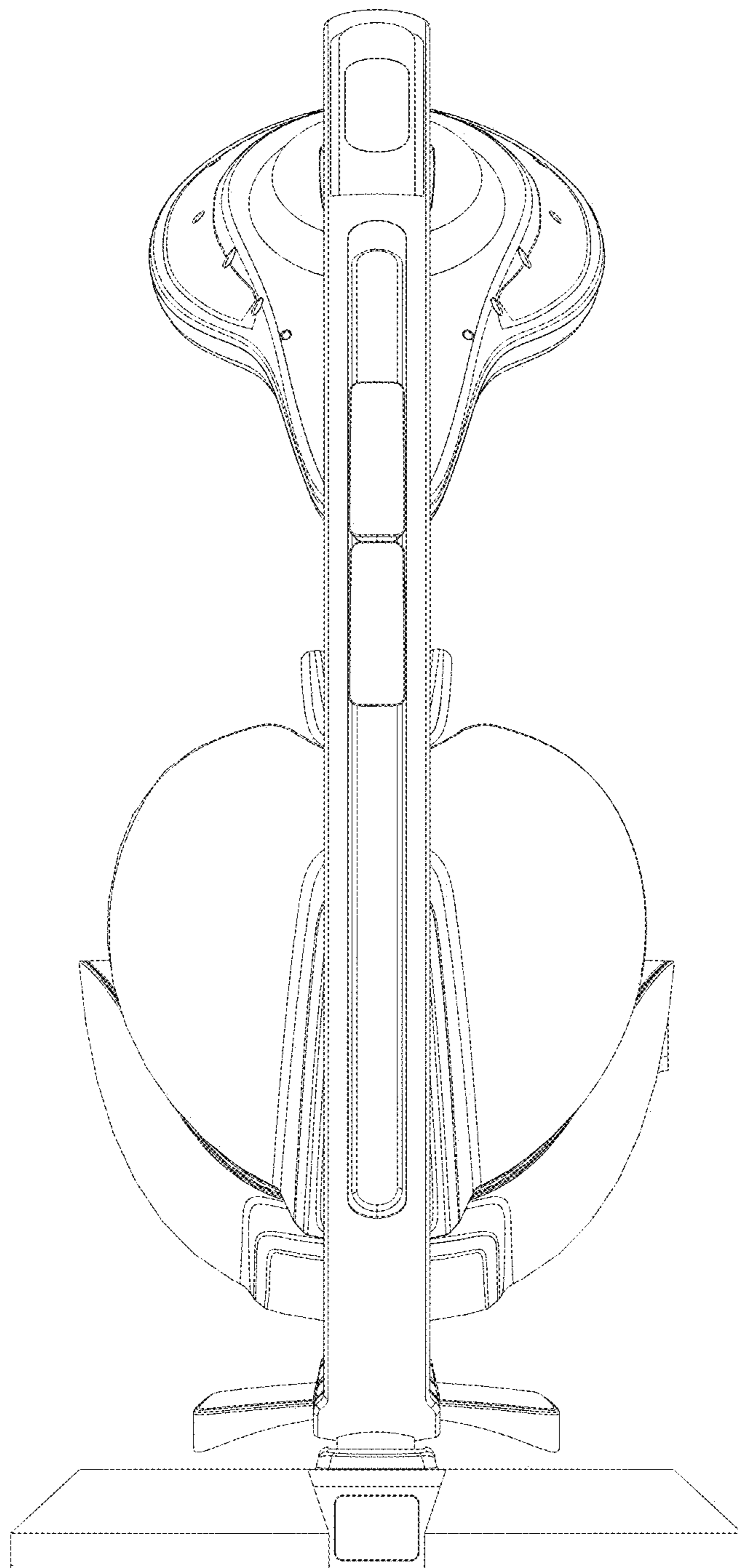


FIG. 4

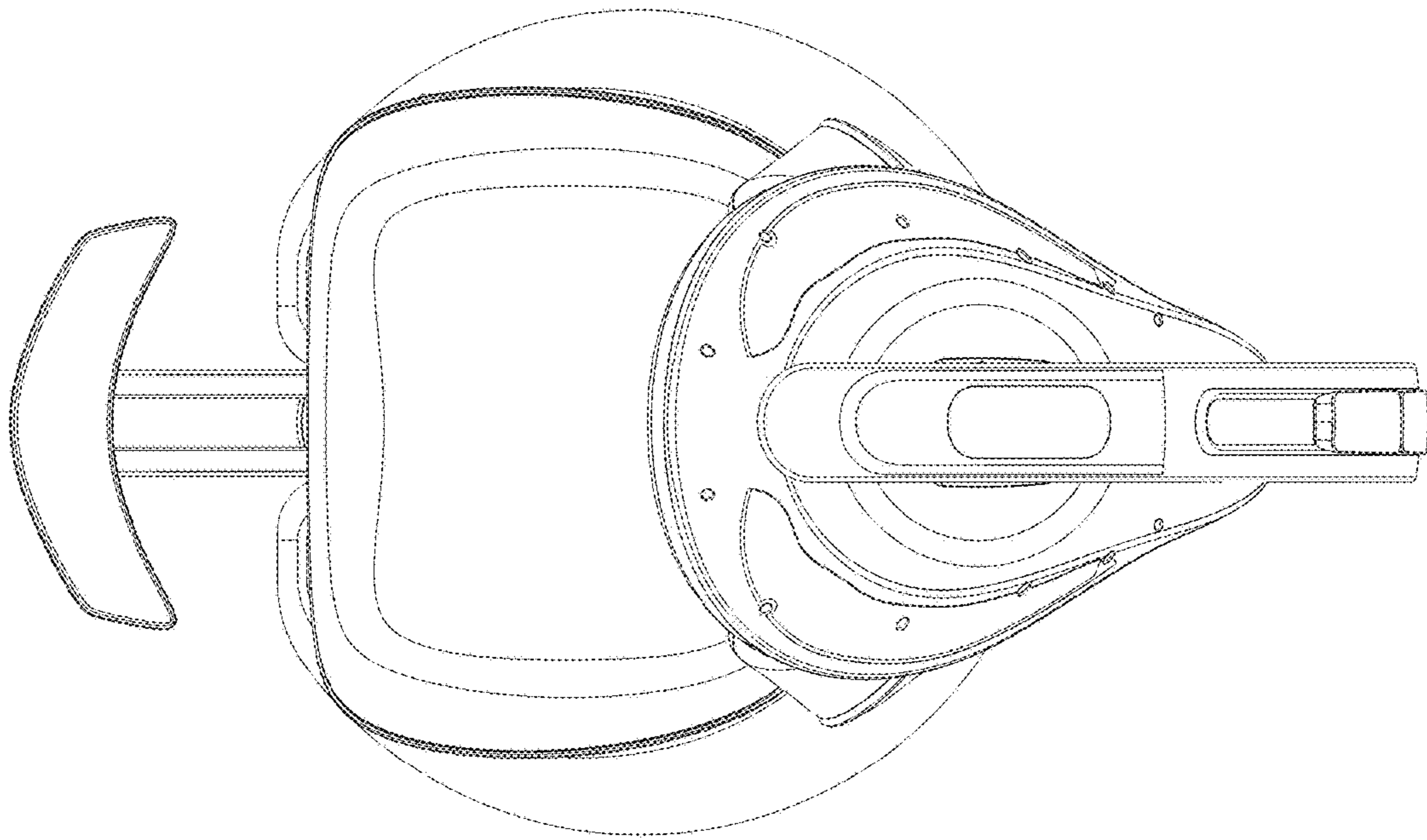


FIG. 5

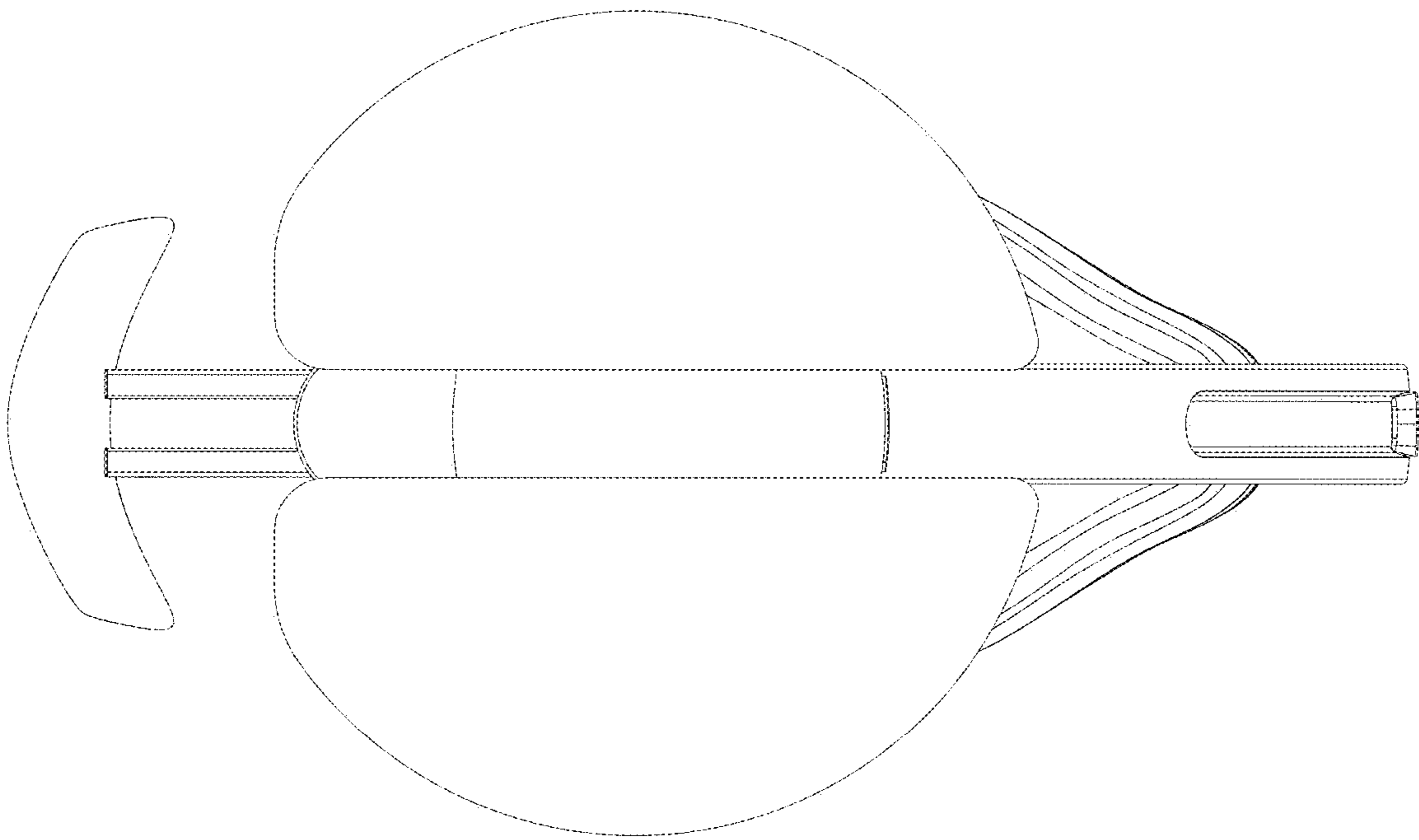


FIG. 6

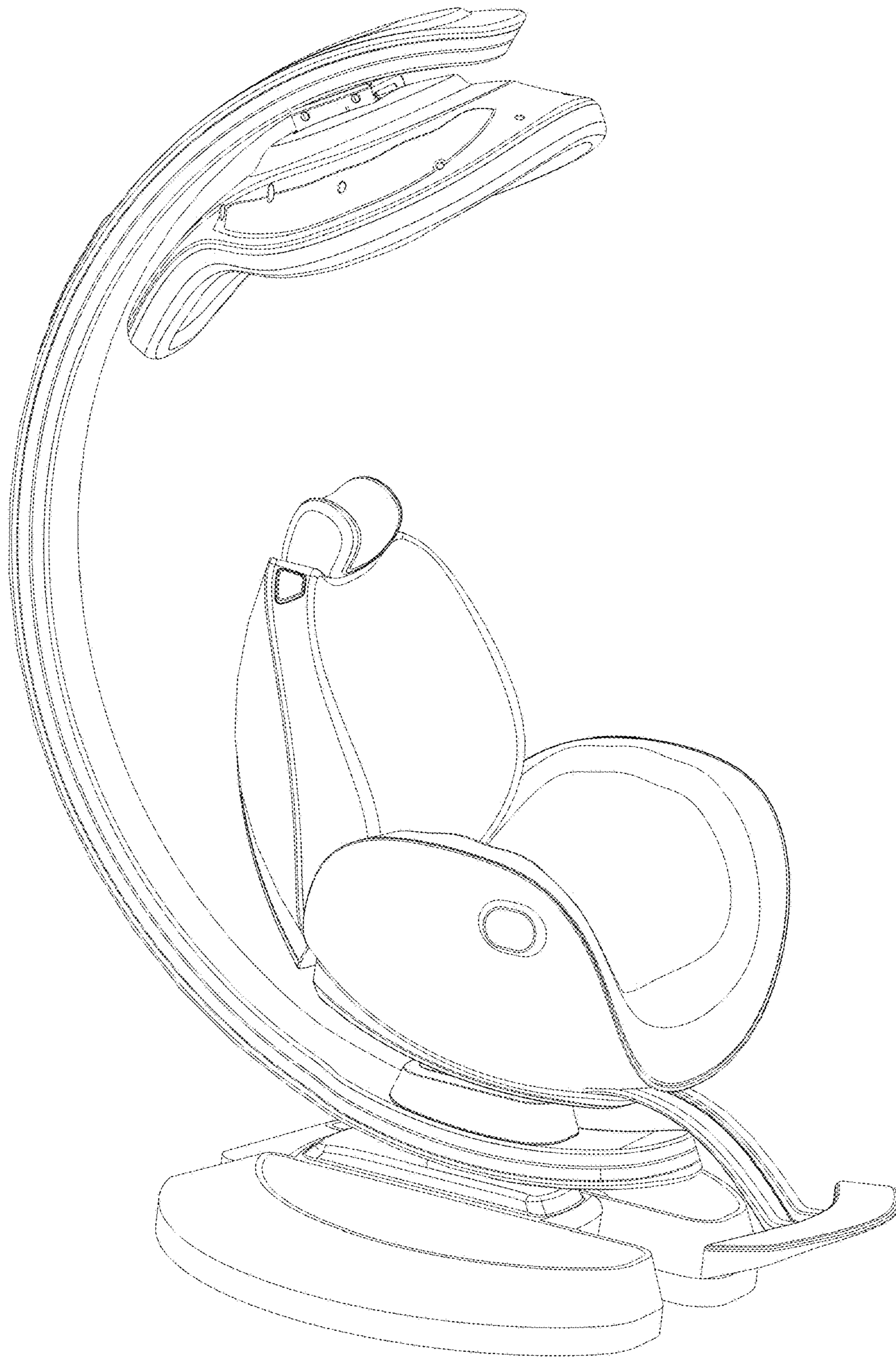


FIG. 7

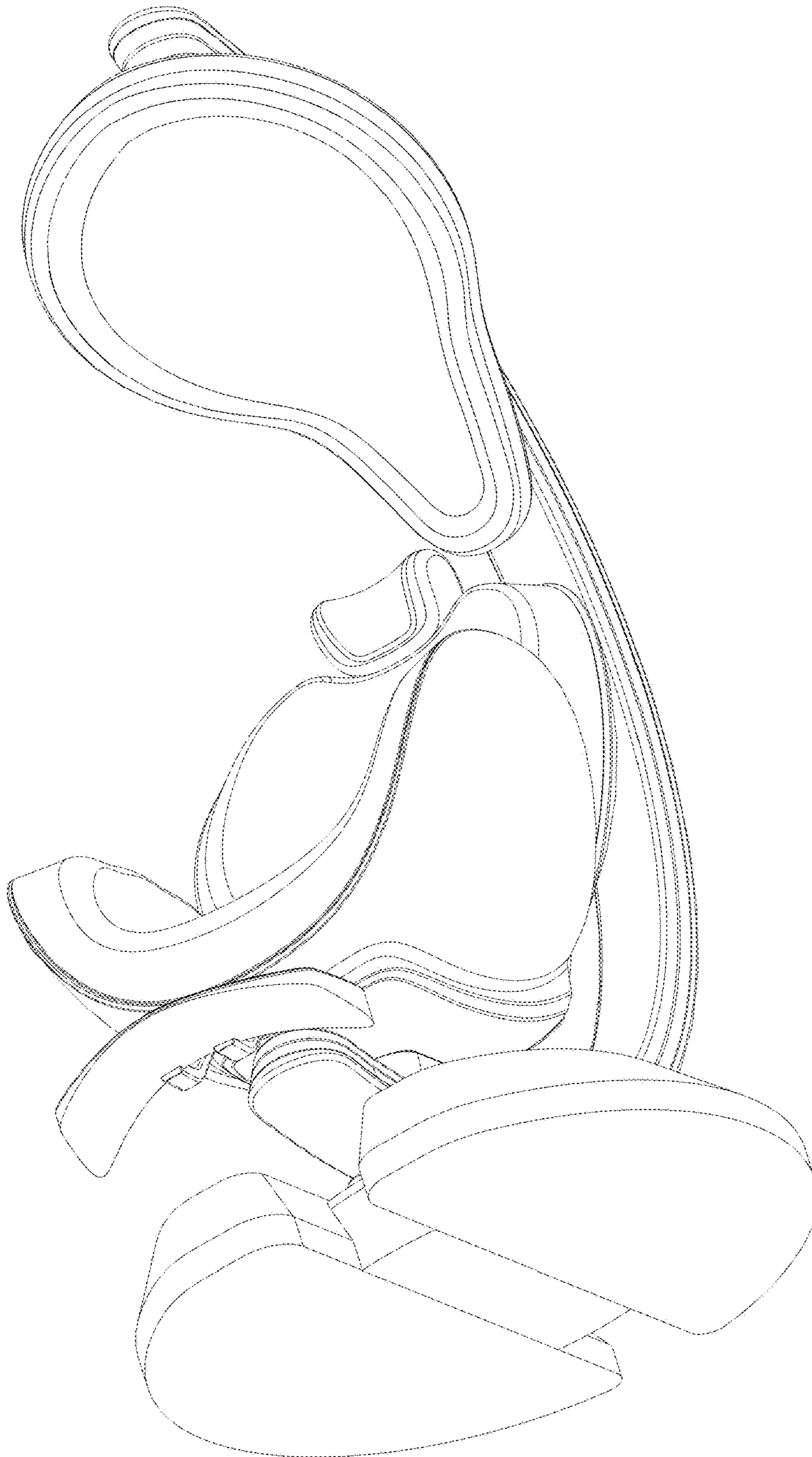


FIG. 8

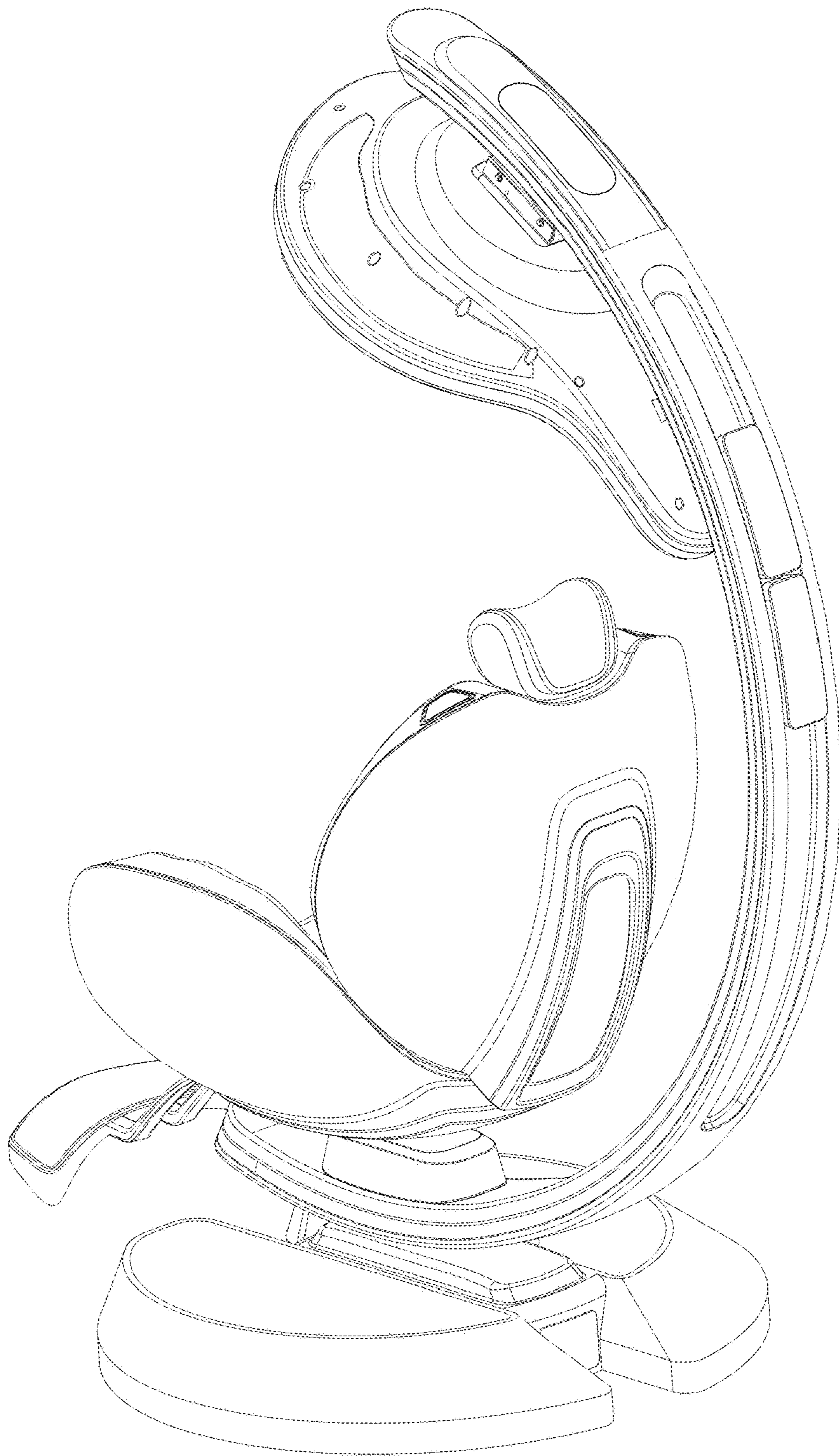


FIG. 9