

US00D857399S

(12) **United States Design Patent** (10) **Patent No.:** **US D857,399 S**  
**Renner et al.** (45) **Date of Patent:** **\*\* Aug. 27, 2019**

(54) **BRUSH**  
(71) Applicant: **3M INNOVATIVE PROPERTIES COMPANY**, St. Paul, MN (US)  
(72) Inventors: **Megan E. Renner**, St. Paul, MN (US); **Matthew D. Chaffee**, Minneapolis, MN (US); **Mark W. Baldwin**, Woodbury, MN (US); **Michael C. Mooney**, Coon Rapids, MN (US)  
(73) Assignee: **3M INNOVATIVE PROPERTIES COMPANY**, St. Paul, MN (US)

6,499,175 B1 \* 12/2002 Osiecki ..... A46B 5/02  
15/145  
D469,613 S \* 2/2003 Libman ..... D32/52  
D479,050 S \* 9/2003 Hay ..... D4/129  
D575,518 S 8/2008 Libman  
D577,203 S \* 9/2008 Meyer ..... D4/129  
D586,561 S 2/2009 Libman

(Continued)

FOREIGN PATENT DOCUMENTS

CN 300906353 4/2009  
CN 301178452 4/2010

(Continued)

(\*\*) Term: **15 Years**  
(21) Appl. No.: **29/621,599**  
(22) Filed: **Oct. 10, 2017**  
(51) **LOC (12) Cl.** ..... **04-01**  
(52) **U.S. Cl.**  
USPC ..... **D4/129**  
(58) **Field of Classification Search**  
USPC ..... D4/116, 117, 118, 119, 120, 132, 134,  
D4/138, 130, 136, 199, 122, 137, 104,  
D4/129; D8/107; D32/40, 51  
CPC ..... A46B 5/02; A46B 9/02; A46B 2200/3033;  
A46B 2200/30  
See application file for complete search history.

OTHER PUBLICATIONS

“Gordon Brush 905505 Economy Version .013 Polypropylene and Plastic Handle Scrub Brush”, [Online] [Retrieved on Dec. 8, 2017], URL <<https://www.unbeatable.com/gdnbr1776.html>>, pp. 3.

(Continued)

*Primary Examiner* — Karen E Eldridge Powers

(57) **CLAIM**

The ornamental design for a brush, as shown and described.

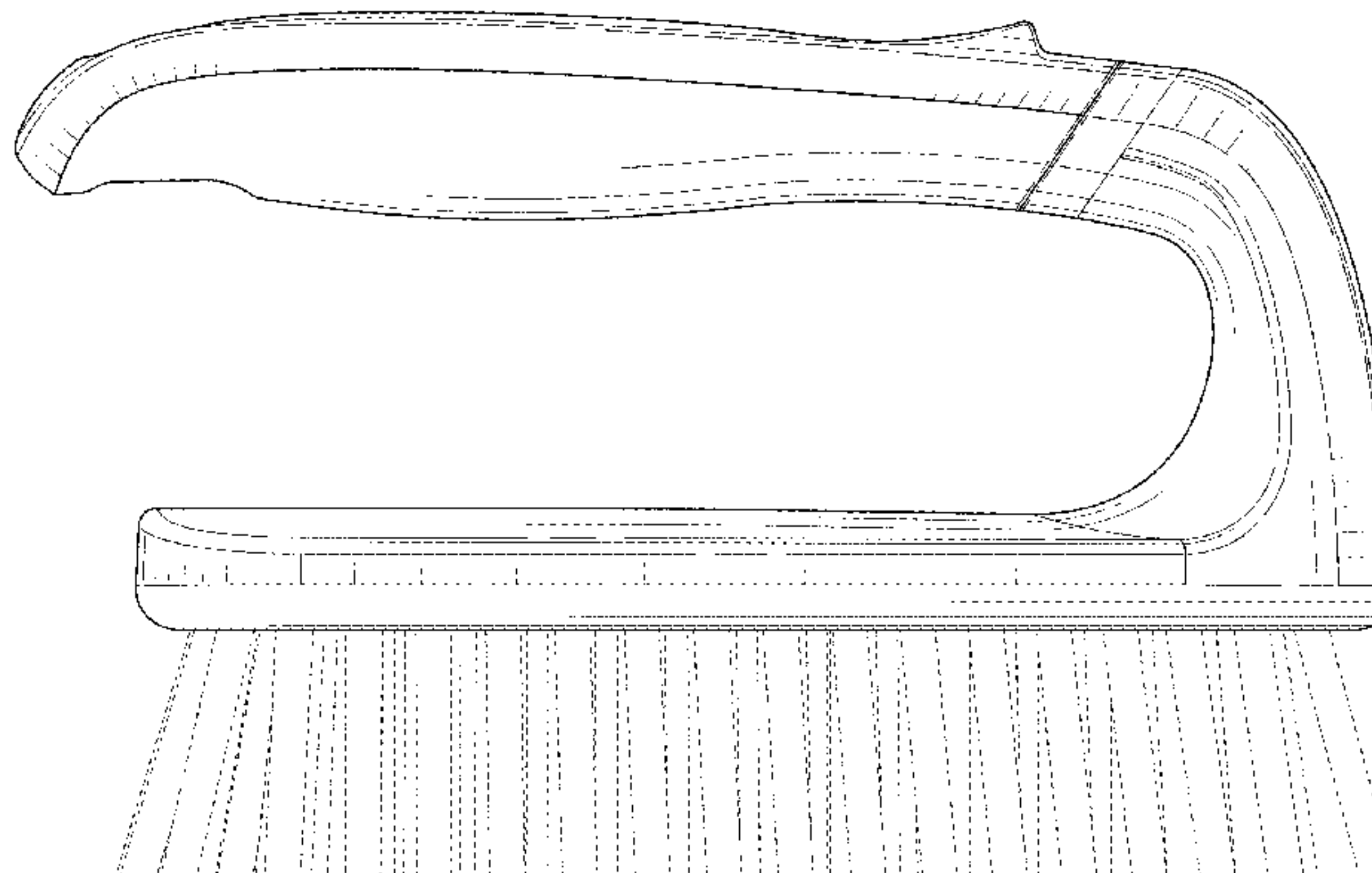
**DESCRIPTION**

FIG. 1 is a perspective view showing the new design for a brush;  
FIG. 2 is a front elevation view thereof;  
FIG. 3 is a rear elevation view thereof;  
FIG. 4 is a left side elevation view thereof;  
FIG. 5 is a right side elevation view thereof;  
FIG. 6 is a top thereof; and,  
FIG. 7 is a bottom plan view thereof.  
The portions of the brush in FIGS. 1-7 shown in broken lines are included to show features that form no part of the claimed design.

(56) **References Cited**  
U.S. PATENT DOCUMENTS

D329,752 S \* 9/1992 Murphy ..... D4/129  
5,355,545 A \* 10/1994 Hoagland ..... A46B 5/00  
132/73.5  
D398,427 S \* 9/1998 Berti ..... D32/52  
6,081,958 A \* 7/2000 Van Staagen ..... A46B 5/04  
15/114  
D435,970 S \* 1/2001 Osiecki ..... D4/129  
D439,414 S \* 3/2001 Birdwell ..... D32/52  
D449,451 S \* 10/2001 Petner ..... D4/129

**1 Claim, 6 Drawing Sheets**



(56)

References Cited

U.S. PATENT DOCUMENTS

D591,513 S	*	5/2009	McNeil .....	D4/129
D630,438 S	*	1/2011	Raven .....	D4/129
D691,813 S	*	10/2013	Timmerman .....	D4/129
D715,060 S		10/2014	Evans	

FOREIGN PATENT DOCUMENTS

CN		301798270		1/2012
CN		301808337		1/2012
CN		302478975		6/2013
CN		302811336		5/2014
CN		303002868	*	11/2014
CN		303086488		1/2015
CN		303362514		9/2015
CN		303695820		6/2016
CN		304017432		1/2017
DE		402011000540-0001		2/2011
EM		000026364-0004		8/2003
EM		002287003-0001		8/2013
GB		3024556		7/2006
GB		4009657	*	12/2008
GB		4009660	*	12/2008
KR		300792280.0000		4/2015
TR		201308250-0003		2/2014

OTHER PUBLICATIONS

“Libman Power Scrub Brush”, [Online] [Retrieved on Dec. 8, 2017], URL <<https://www.amazon.com/LIBMAN-CO-00057-Libman-Power/dp/B002MV74WC>>, pp. 7.

“Lysol Iron Handle Scrub Brush”, [Online] [Retrieved on Dec. 8, 2017], URL <<https://www.quickie.com/lysol-iron-handle-scrub-brush/1036020.html>>, pp. 2.

“OXO Good Grips Household Scrub Brush”, [Online] [Retrieved on Dec. 8, 2017], URL <[https://www.amazon.com/OXO-Grips-Household-Scrub-Brush/dp/B00004OCL3/ref=pd\\_lpo\\_vtph\\_201\\_bs\\_tr\\_img\\_1/144-5637391-1980029?\\_encoding=UTF8&psc=1&refRID=FB585BPFEEY7NSZ5134F&dpID=41MYNC%252B8qnL&preST=\\_SY300\\_QL70\\_&dpSrc=detail](https://www.amazon.com/OXO-Grips-Household-Scrub-Brush/dp/B00004OCL3/ref=pd_lpo_vtph_201_bs_tr_img_1/144-5637391-1980029?_encoding=UTF8&psc=1&refRID=FB585BPFEEY7NSZ5134F&dpID=41MYNC%252B8qnL&preST=_SY300_QL70_&dpSrc=detail)>, pp. 8.

“Quickie—Clean Results Iron Handle Scrub Brush”, [Online] [Retrieved on Dec. 8, 2017], URL <<https://www.lowes.com/pd/Quickie-Clean-Results-Iron-Handle-Scrub-Brush/3175601>>, pp. 2.

“Quickie Iron-Handle All-Purpose Scrub Brush”, [Online] [Retrieved on Dec. 8, 2017], URL <<https://www.amazon.com/Quickie-Iron-Handle-All-Purpose-Scrub-Brush/dp/B0002T7Q0G>>, pp. 6.

“Scrub Buddies Soft-Grip Handled Scrub Brushes”, [Online] [Retrieved on Dec. 8, 2017], URL <<https://www.dollartree.com/Scrub-Buddies-Soft-Grip-Handled-Scrub-Brushes/p303718/index.pro>>, pp. 2.

\* cited by examiner



FIG. 1



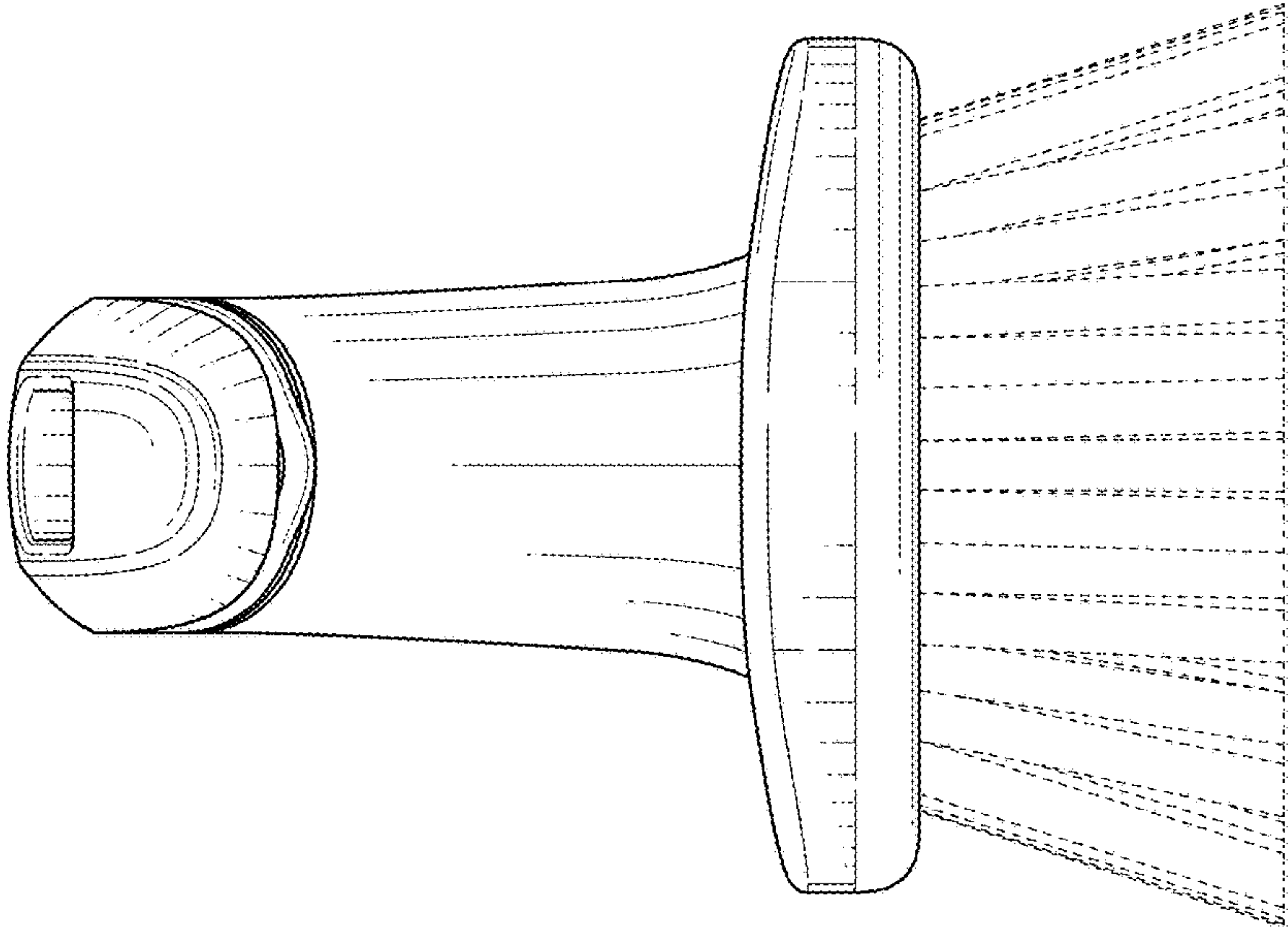


FIG. 3

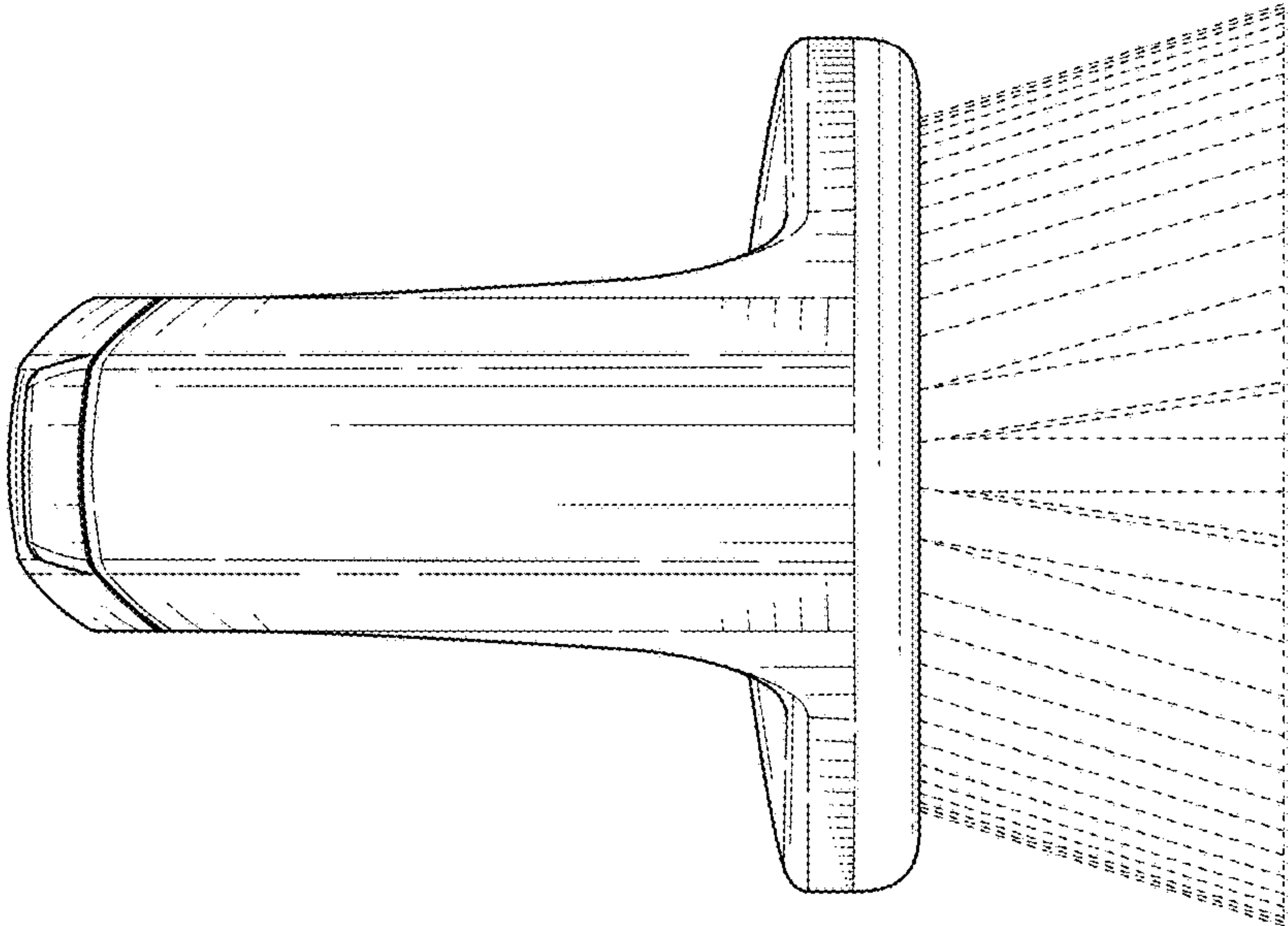


FIG. 2

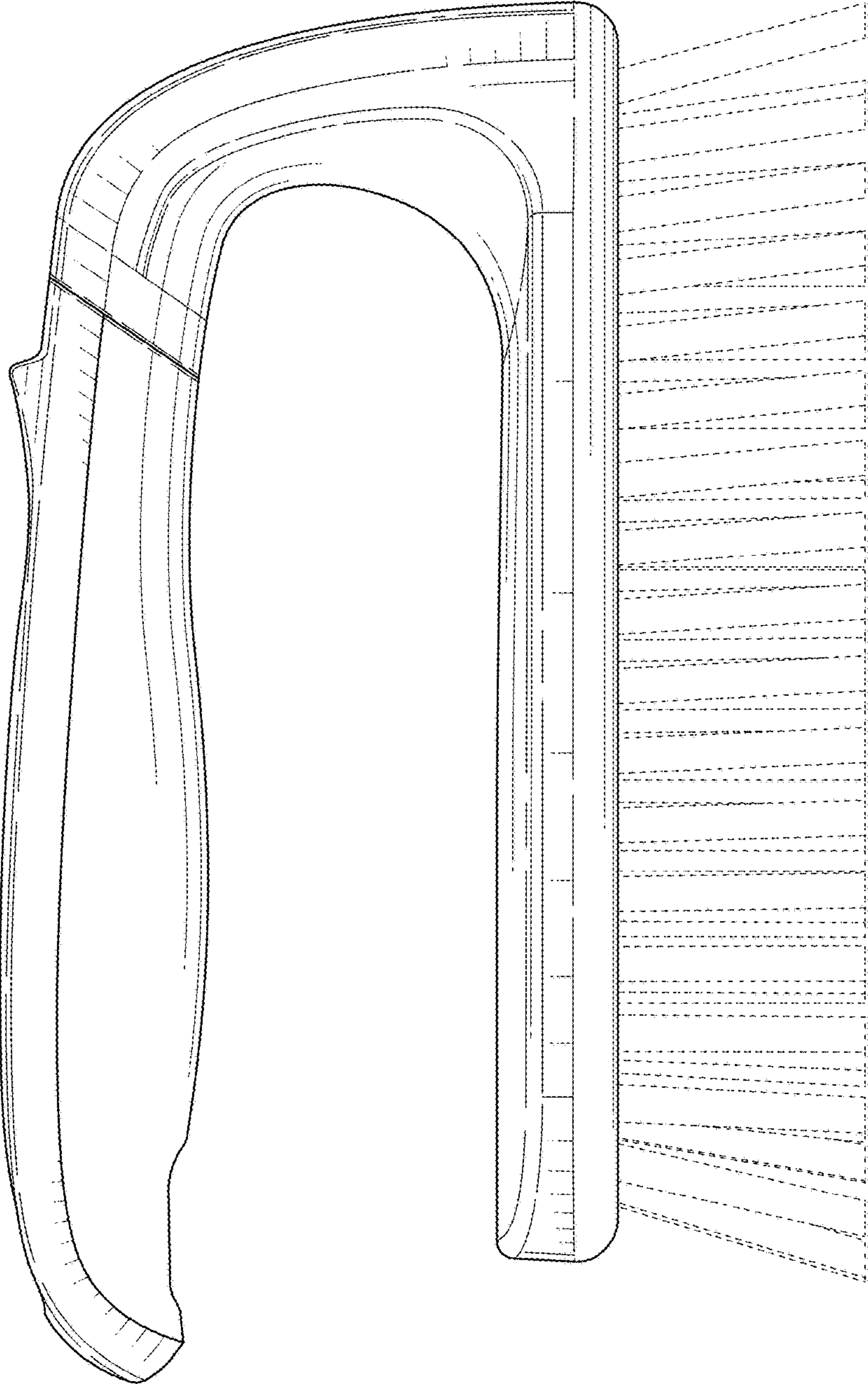


FIG. 4

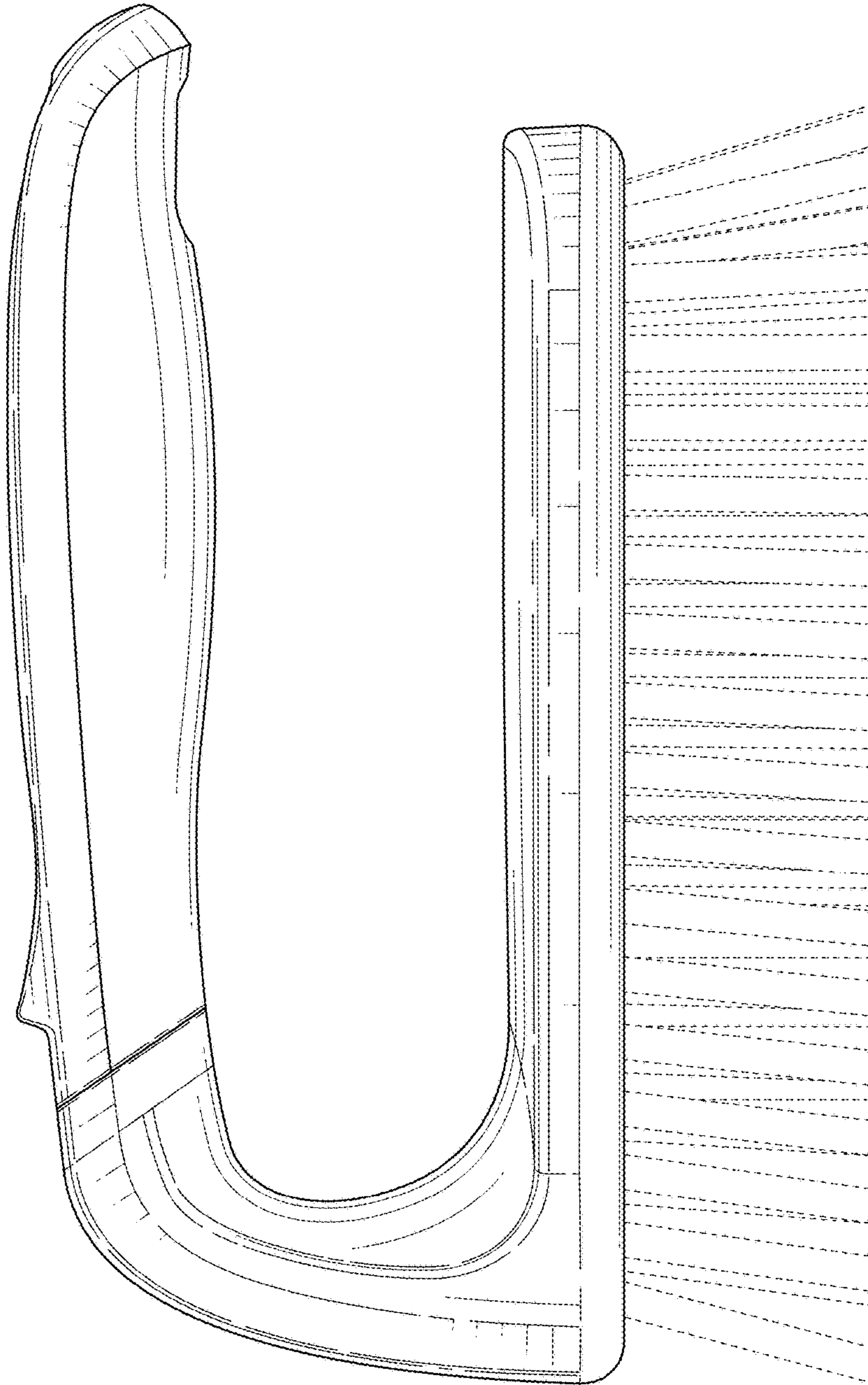


FIG. 5

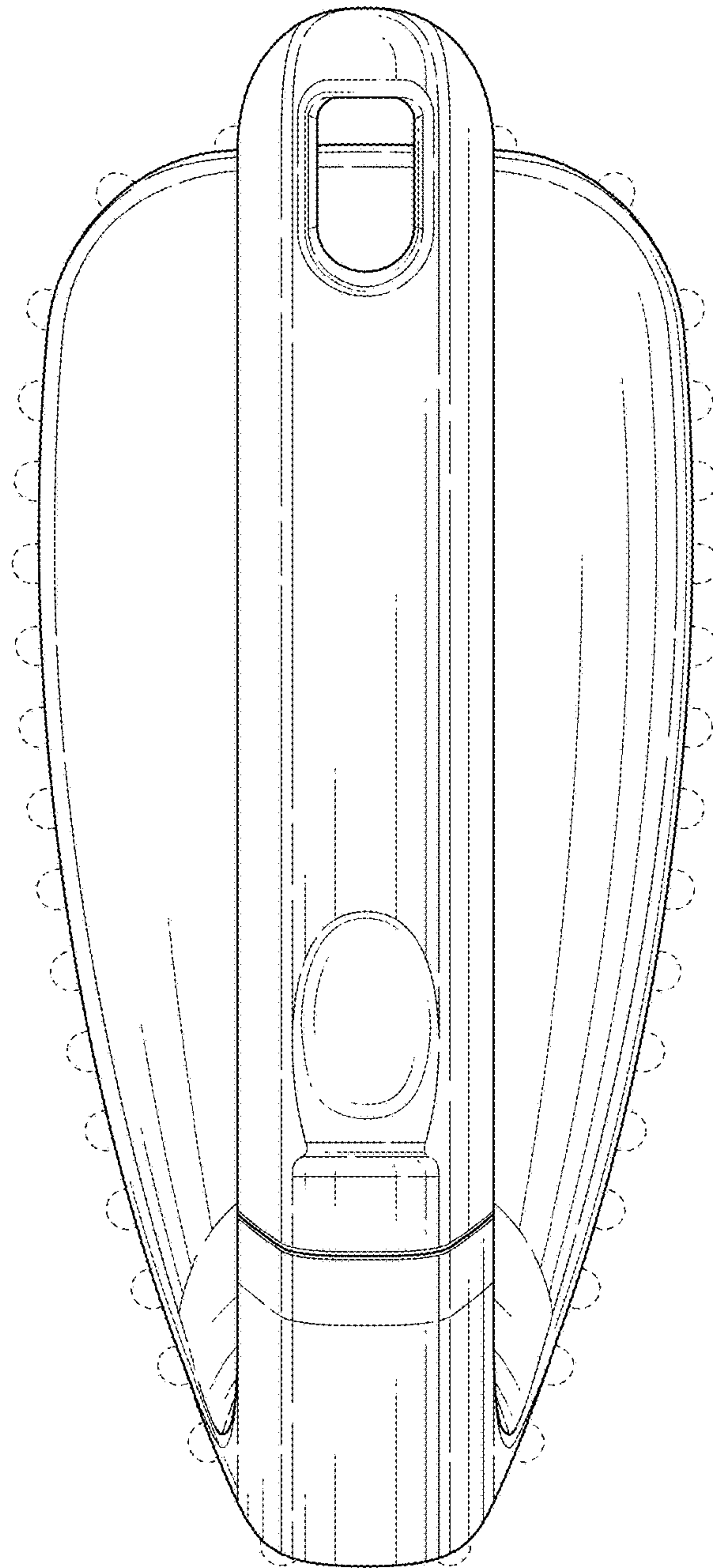


FIG. 6



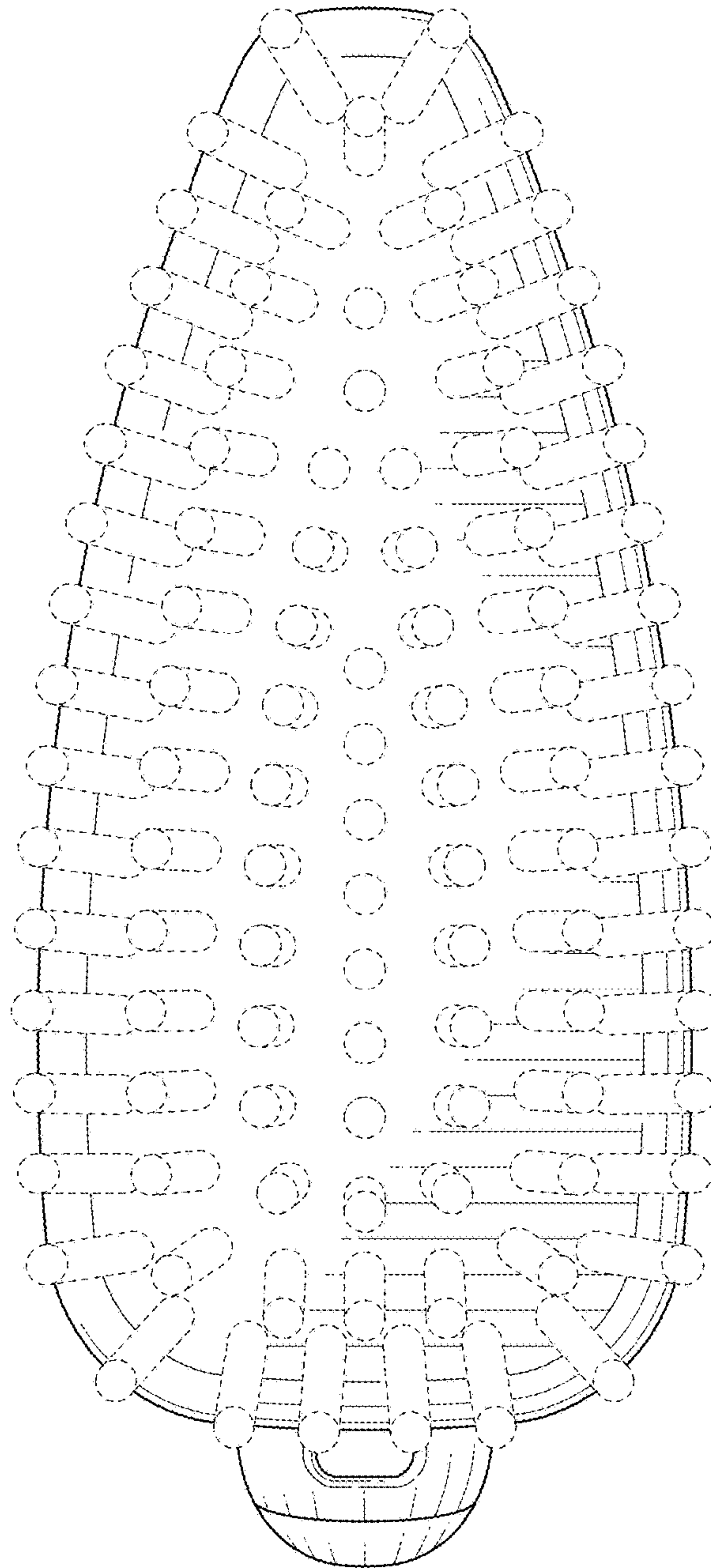


FIG. 7



UNITED STATES PATENT AND TRADEMARK OFFICE  
**CERTIFICATE OF CORRECTION**

PATENT NO. : D857,399 S  
APPLICATION NO. : 29/621599  
DATED : August 27, 2019  
INVENTOR(S) : Megan Renner

Page 1 of 1

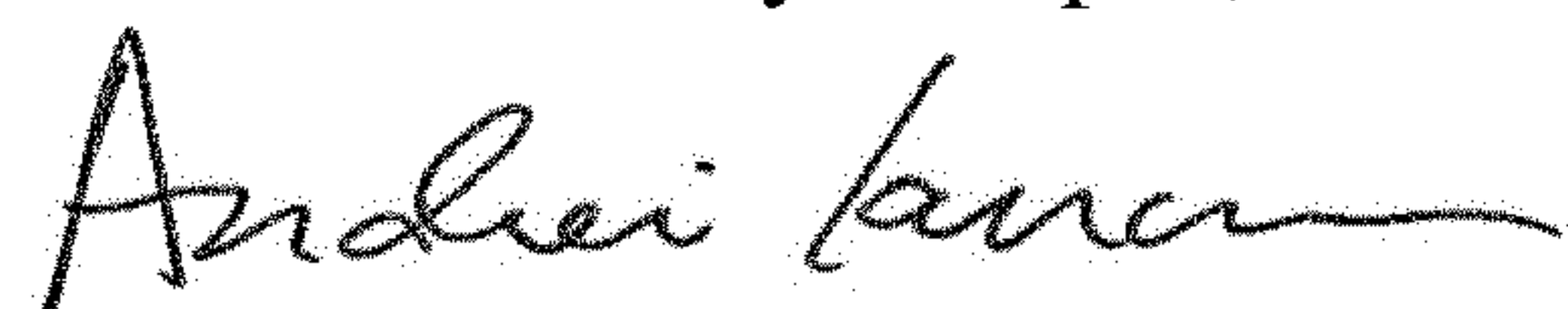
It is certified that error appears in the above-identified patent and that said Letters Patent is hereby corrected as shown below:

On the Title Page

Item (57), Column 2 (Description), Line 7:

After "top" insert -- plan --.

Signed and Sealed this  
Fourteenth Day of April, 2020



Andrei Iancu  
*Director of the United States Patent and Trademark Office*